

# REACH

PNL6-CC-V

6" round slim panel



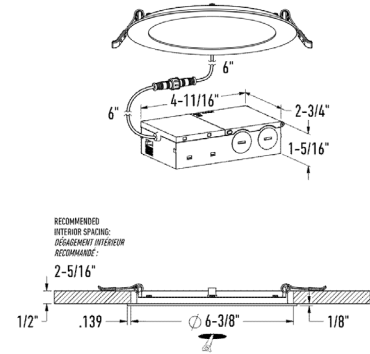
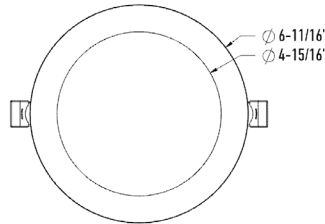
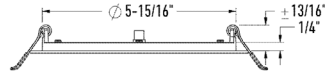
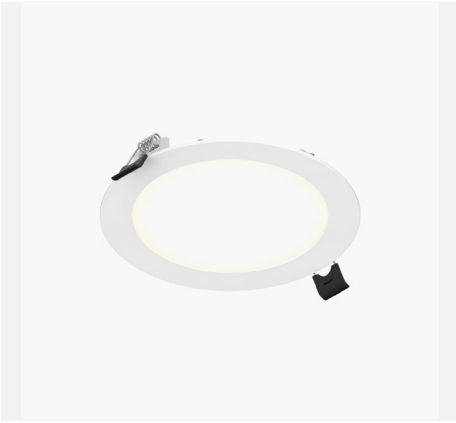
PROJECT

DATE

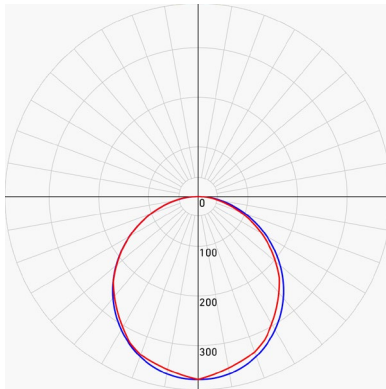
TYPE

QTY

NOTES



## LIGHT DISTRIBUTION



Distance from luminaire	FC at Nadir	Diameter
4'	23.0 fc	10"-10"
6'	10.2 fc	16"-3"
8'	5.8 fc	21"-7"
10'	3.7 fc	27"
12'	2.6 fc	32"-5"

\*measured at 3000k

## SPECS

<b>Cut hole size (in)</b>	6-3/8"	
<b>Watts (W)</b>	12	
<b>Delivered lumens*</b>	990	
<b>Voltage (v)</b>	120/277/347	
<b>FT rating</b>	FT6	
<b>CRI</b>	92	
<b>TM-30</b>	Rf : 89	Rg : 99
<b>Binning</b>	3 SDCM	
<b>Beam angle (deg)</b>	110	
<b>UGR</b>	27	
<b>LED model</b>	SMD2835	
<b>Dimming</b>	0-10V	
<b>Color temperature</b>	2700K/3000K/3500K/4000K/5000k	

## CONSTRUCTION

<b>Lens material</b>	Polystyrene
<b>Optic type</b>	Frosted

## ELECTRICAL DETAILS

<b>Location</b>	Wet	
<b>Environment</b>	Indoor/Outdoor	
<b>Operating temp. (° C)</b>	-10	to 40
<b>IP rating</b>	IP65	
<b>Input voltage (V)</b>	120-347	
<b>Input current (mA)</b>	150	
<b>Output voltage (V)</b>	30-40	
<b>Output current (mA)</b>	270	
<b>Power factor (%)</b>	99	
<b>Driver type</b>	Constant current	
<b>THD</b>	0.20	
<b>Lifetime @ L70</b>	>50 000hrs	

<b>Finish type</b>	Matte
<b>Housing material</b>	Aluminum

## ORDERING GUIDE

PNL6-CC-V	-	Finish
		<b>WH</b> - White <input type="checkbox"/>

## CERTIFICATIONS

ETL listed	UL-1598	and	CSA C22.2 No. 250.0
Title 24-JA8, Energy Star, IC rated, Air-tight ASTM E283-04			
Compliant to	FCC Title 47 Part 15; Class B		
ICES-005 Issue 5			



**CANADA**  
80, Blvd. de la Seigneurie E.  
Blainville, Quebec J7C 4N1

**USA**  
4383, NW 124th Ave.,  
Coral Springs, Florida 33065

1 877.430.1818  
info@dals.com  
dals.com

**WHAT'S IN THE BOX**

Recessed fixture  
 Junction box  
 3x push-in wire connectors  
 1/2" non-Metallic Connector  
 Instruction sheet

**ACCESSORIES**

**REC-RFPE6**  
 13" Rough-in template Ø6-3/8"

**REC-RFP-6**  
 26" Rough-in template Ø6-3/8"

**RFP-UNI**  
 Universal rough-in template

**RACC-TRIM6**  
 6" recessed round trim

**REC-EMD15**  
 15w emergency battery

**EXTENSIONS**

**PNL-EXT8FT**  
 96" extension cord for recessed fixtures

**PNL-EXT20FT**  
 240" extension cord for recessed fixtures

**WARRANTY**

DALS offers a 5-year warranty from the date of purchase which covers repairs or replacement of defective parts of the housing, optics, and electronics. To contact DAL'S customer service call 1-877-430-1818 or send an e-mail to info@dals.com.

**RECOMMENDED DIMMER LIST\*\***

BRAND	MODEL	DIMMER SPECS	DIMMING RANGE %		MAX LOAD (units)
			MIN	MAX	
Lutron	DVSTV*	0-10V control, 960W, 8A, 120-277 V	0	97	80
Leviton	IP710-DLZ	0-10V control, 1200VA, 10A LED, 120-277V	5	100	100
Leviton	ZB700-30Z	0-10V control, 1388VA, 4A , 347V	5	100	67
Lutron	RMJS-8T-DV-B	0-10V control, 960VA, 8A, 120-277V	0	100	80

\*With low-end adjustment feature. \*\*Some dimmers may produce minimal buzzing noise.

