

REACH

PNL4-CC-V

4" round slim panel



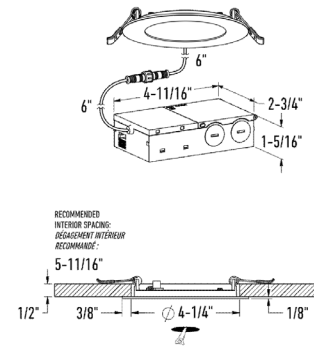
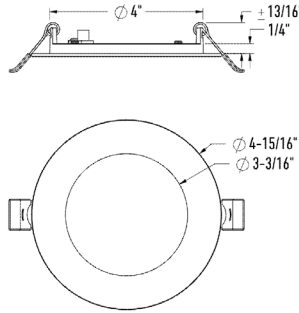
PROJECT

DATE

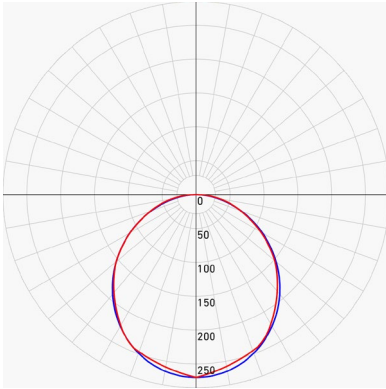
TYPE

QTY

NOTES



LIGHT DISTRIBUTION



Distance from luminaire	FC at Nadir	Diameter
4'	16.9 fc	11'
6'	7.5 fc	16'-6"
8'	4.2 fc	22'
10'	2.7 fc	27'-6"
12'	1.9 fc	33'

*measured at 3000k

SPECS

Cut hole size (in)	4-1/4"	
Watts (W)	9	
Delivered lumens*	740	
Voltage (v)	120/277/347	
FT rating	FT6	
CRI	90	
TM-30	Rf : 90	Rg : 100
Binning	3 SDCM	
Beam angle (deg)	110	
UGR	27	
LED model	SMD2835	
Dimming	0-10V	
Color temperature	2700K/3000K/3500K/4000K/5000k	

CONSTRUCTION

Lens material	Polystyrene
Optic type	Frosted

ELECTRICAL DETAILS

Location	Wet	
Environment	Indoor/Outdoor	
Operating temp. (° C)	-10	to 40
IP rating	IP65	
Input voltage (V)	120-347	
Input current (mA)	100	
Output voltage (V)	25-35	
Output current (mA)	235	
Power factor (%)	99	
Driver type	Constant current	
THD	0.20	
Lifetime @ L70	>50 000hrs	

Finish type	Matte
Housing material	Aluminum

ORDERING GUIDE

PNL4-CC-V	-	Finish
		WH - White <input type="checkbox"/>

CERTIFICATIONS

ETL listed	UL-1598	and	CSA C22.2 No. 250.0
Title 24-JA8, Energy Star, IC rated, Air-tight ASTM E283-04			
Compliant to	FCC Title 47 Part 15; Class B		
ICES-005 Issue 5			



CANADA
80, Blvd. de la Seigneurie E.
Blainville, Quebec J7C 4N1

USA
4383, NW 124th Ave.,
Coral Springs, Florida 33065

1 877.430.1818
info@dals.com
dals.com

