



DALS LIGHTING

Canada
80, de la Seigneurie Blvd., E.
Blainville, Quebec J7C 4N1

U.S.A.
4383, NW 124th Ave.,
Coral Springs, Florida 33065

877.430.1818
info@dals.com
dals.com

MODEL VA024-CC

NAME Shift

24" Adjustable Oblong Vanity

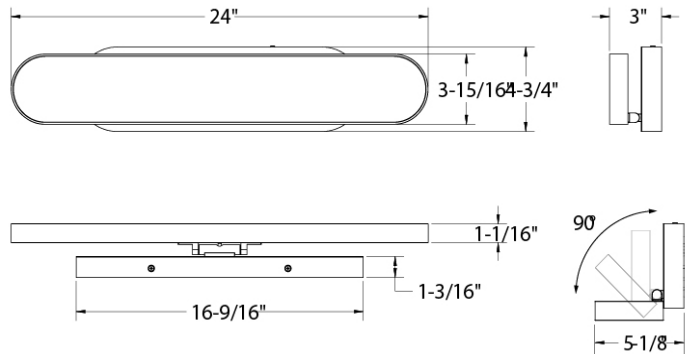
A sleek, high-quality LED profile luminaire with direct light output, crafted from durable aluminum extrusion. Its oblong linear head features an efficient 90° swiveling design for versatile lighting.



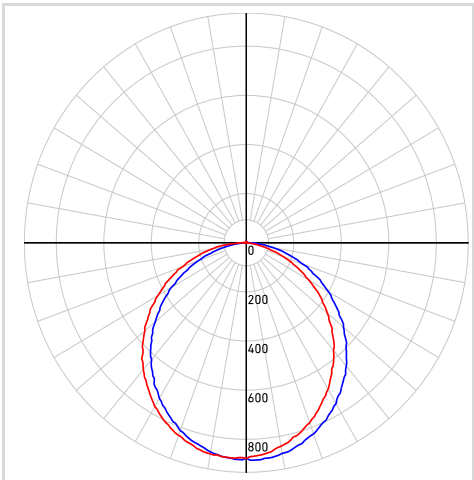
PROJECT _____ **TYPE** _____

DATE _____ **QTY** _____

NOTES



LIGHT DISTRIBUTION



*Lumen output measured at 3000k

QUICK SPECS

Size	24"
Watts (W)	31
Delivered lumens*	2470
CRI	90
Voltage (v)	120
Beam angle (deg)	115
Mounting	Adjustable
Lifespan (hrs)	50 000
Binning	7 SDCM
LED model	SMD 2835
Light direction	Directional
Color temperature	2700K,3000K,3500K,4000K,5000K

ELECTRICAL DETAILS

Environment	Damp
Location	Indoor
Operating temp. (° C)	-20 to 40
IP rating	IP40
Input voltage (V)	120
Output voltage (V)	115-130v
Output current (mA)	190
Power factor	91
Driver type	Constant current
THD	≤ 50%
Certifications	ETL, FCC, ICES

ORDERING GUIDE

VA024-CC	-	Finish
		BK - Black ●
		GD - Gold ●

CONSTRUCTION

Lens material	PC
Lens type	Frosted
Finish type	Matte
Housing material	Steel

WHAT'S IN THE BOX	ACCESSORIES	ADAPTORS
<ul style="list-style-type: none"> LED vanity light Mounting bracket Mounting hardware Wire nuts Instruction sheet 		

RECOMMENDED DIMMER LIST*

BRAND	MODEL	DIMMER SPECS	GRADE	MIN	MAX	MAX LOAD
Dals	SM-DIMSW Smart Dimmer*	Triac, 250W LED/CFL	Compatible	0	100	8
Lutron	DVCL-153PR-WH-C*	Triac, 150 W Dimmable CFL/LED	Compatible	0	100	5
Lutron	CTCL-153PDH-WH-C*	Triac, 150 W Dimmable CFL/LED	Compatible	0	100	5
Lutron	STCL-153PH-WH-C*	Triac, 150 W Dimmable CFL/LED	Compatible	0	100	5
Lutron	MACL-153MRHW-WHC*	Triac, 150 W Dimmable CFL/LED	Compatible	0	100	5
Lutron	DVELV-300P-WH	300W electronic low voltage dimmer	Compatible	0	100	10
Lutron	MA-PRO-WH*	ELV, 250W LED/CFL	Compatible	0	100	8
Lutron	Caseta PD-6WCL-WH-R-C*	Triac, 300W Dimmable CFL/LED	Compatible	0	100	5
Lutron	Caseta PD-5NE-WH-C*	ELV, LED—up to 250 W	Compatible	0	100	8
Lutron	Caseta PD-10NXD-WH*	Triac, LED—up to 250 W	Compatible	0	100	8
Leviton	6674*	Triac, 150 W Dimmable CFL/LED	Compatible	0	100	5
Leviton	¶PL06-10Z*	Triac, 150 W Dimmable CFL/LED	Compatible	0	100	5
Leviton	DSL06-1LZ*	Triac, 150 W Dimmable CFL/LED	Compatible	0	100	5
Leviton	D26HD-742-1RW*	Triac, 300W LED/CFL	Compatible	0	100	10
Legrand	RHCL453PNICCV4*	Triac, 450W Dimmable CFL/LED	Compatible	4	100	15
Legrand	ADTP703TUM4*	Triac, 450W Dimmable CFL/LED	Compatible	0	100	15
Legrand	ADPD453LM2*	Triac, 450W Dimmable CFL/LED	Compatible	3	100	15
Legrand	RHL373PW*	Triac, 250W LED	Compatible	0	100	8
Control 4	C4-APD120-WH	ELV, 120W LED	Compatible	0	100	4
Control 4	C4-FPD120-WH	Triac, 200W LED	Compatible	0	100	6
Commercial Electric	HPDA311CWb*	Triac, 150W LED & CFL	Compatible	0	100	5
TP-Link	HS220*	Triac, 150 W, Dimmable LED (MLV)	Compatible	0	100	5

*With Low-End Adjustment Feature

Minimal buzzing noise may occur with some dimmers

WARRANTY

DALS offers a 5-year warranty from the date of purchase which covers repairs or replacement of defective parts of the housing, optics, and electronics. To contact DALS customer service call 1-877-430-1818 or send an e-mail to info@dals.com.