



DALS LIGHTING

Canada
80, de la Seigneurie blvd., E.
Blainville, Quebec
J7C 4N1

U.S.A.
4383, NW 124th Ave.,
Coral Springs, Florida
33065

877.430.1818
info@dals.com
dals.com

MODEL RC03-CC

NAME Versa

3in Modular Recessed
A versatile recessed lighting solution featuring customizable finishes, trims, lenses, and reflectors, with options for standard, sloped ceiling, and trimless installations, all with multi-voltage compatibility. 288 possibilities!

PROJECT

TYPE

DATE

QTY

NOTES



QUICK SPECS

Size	3"
Watts (W)	8/10/12
Delivered lumens*	Up to 1000
CRI	90
Voltage (v)	120/277/347
Beam angle (deg)	20/35/60
Cut hole size (in)	3-1/2"
Lifespan (hrs)	50 000
FT rating	FT6
Binning	3 SDCM
LED model	COB
Color temperature	2700K,3000K,3500K,4000K,5000K

ELECTRICAL DETAILS

Environment	Wet
Location	Indoor/Outdoor
Operating temp. (° C)	-20 to 40
IP rating	IP44
Input voltage (V)	120-347
Output voltage (V)	35.4
Output current (mA)	256
Power factor (%)	92
Driver type	Constant current
Dimming	Triac / ELV / 0-10v
THD	<30%

CONSTRUCTION

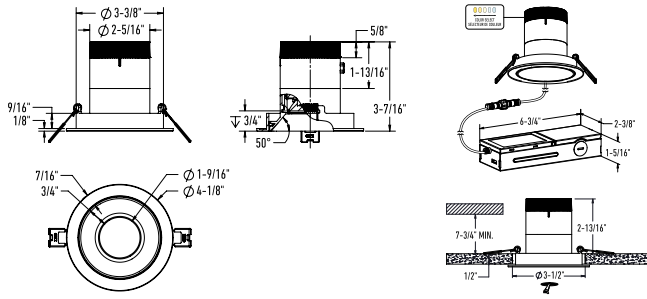
Housing material	Aluminum
Finish type	Painted
Lens material	Acrylic
Optic type	Optical lens
Certifications	ETL, FCC, ICES, ES, JA8/T24 IC, ASTM E283-04

ORDERING GUIDE

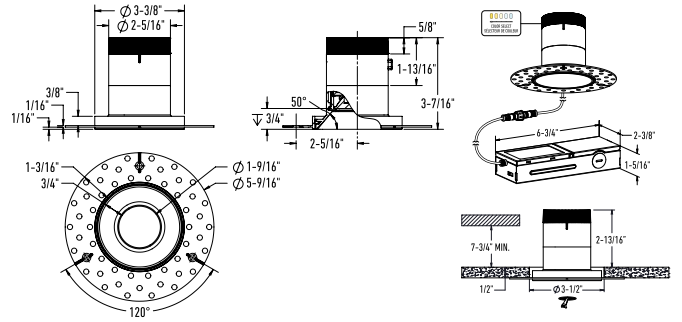
RC	-	03-CC	-		-		-	
		<i>Light module</i>		<i>Beam angle</i>		<i>Reflector type</i>	<i>Reflector finish</i>	<i>Trim style</i>
		UNIVERSAL DRIVER 120-277-347V TRIAC / ELV 0-10v dimming		20 20° narrow beam 35 35° medium beam 60 60° wide beam		RG Regular ceiling SL Sloped ceiling	AZ Alzak BK Black GD Gold WH White	TL Round trimless TBK Round black trim TGD Round gold trim TWH Round white trim

LINE DRAWING

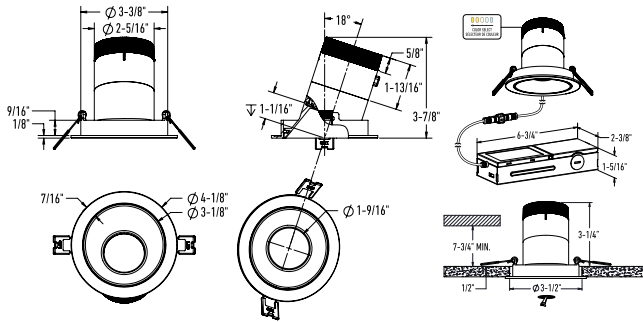
RC03-XX-RGXX-TXX



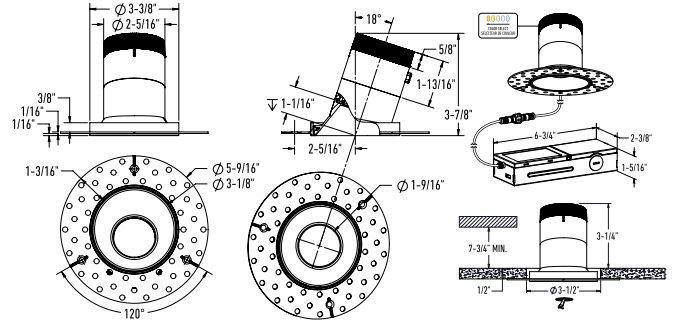
RC03-XX-RGXX-TL



RC03-XX-SLXX-TXX

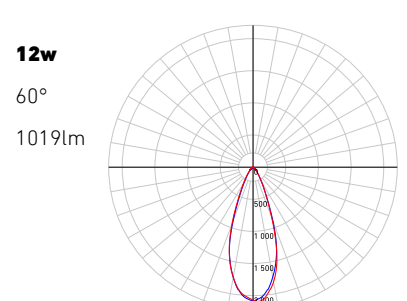
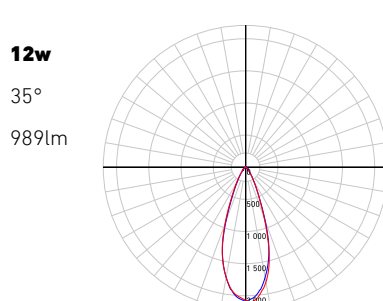
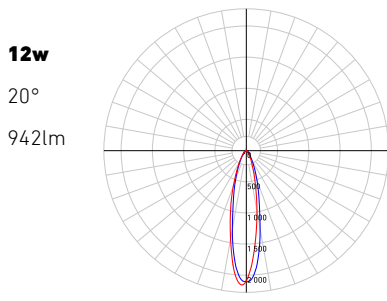
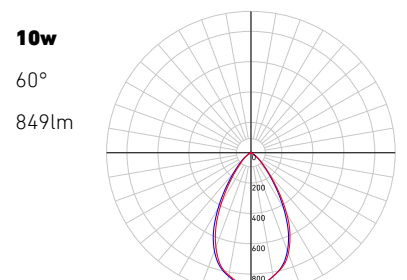
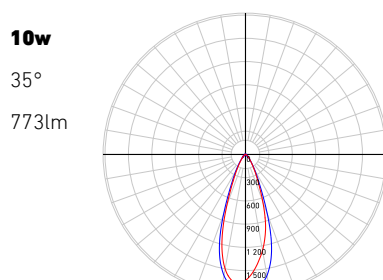
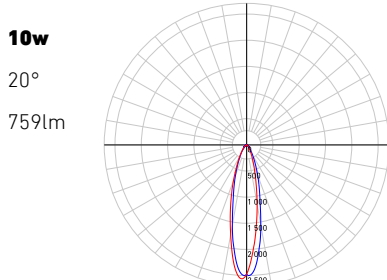
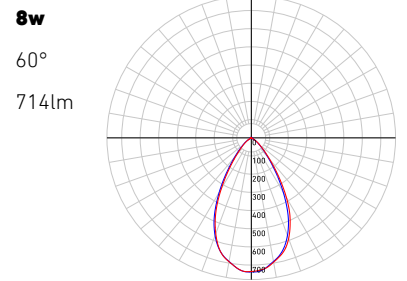
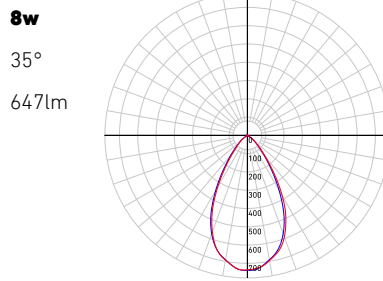
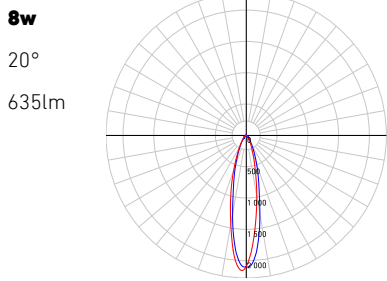


RC03-XX-SLXX-TL



LIGHT DISTRIBUTION

*Lumen output measured at 3000k



WHAT'S IN THE BOX

Complete LED recessed fixture
 Junction box
 3x Push-in wire connectors
 2x wire nuts
 Instruction sheet

ACCESSORIES

[RFP-35](#)
 Drilling plate

ADAPTORS

[REC-CC-EXT8FT](#)
 96" extension cord for recessed fixtures

[REC-CC-EXT20FT](#)
 240" extension cord for recessed fixtures

RECOMMENDED DIMMER LIST*

BRAND	MODEL	DIMMER SPECS	GRADE	MIN	MAX	MAX LOAD
Dals	SM-DIMSW Smart Dimmer*	Triac, 250W LED/CFL	Compatible	5	100	21
Lutron	DVCL-153PR-WH-C*	Triac, 150 W Dimmable CFL/LED	Compatible	2	100	13
Lutron	CTCL-153PDH-WH-C*	Triac, 150 W Dimmable CFL/LED	Compatible	2	100	13
Lutron	STCL-153PH-WH-C*	Triac, 150 W Dimmable CFL/LED	Compatible	0	100	13
Lutron	MACL-153MRHW-WHC*	Triac, 150 W Dimmable CFL/LED	Compatible	0	100	13
Lutron	DVELV-300P-WH	300W electronic low voltage dimmer	Compatible	7	100	25
Lutron	MA-PRO-WH*	ELV, 250W LED/CFL	Compatible	0	100	21
Lutron	Caseta PD-6WCL-WH-R-C*	Triac, 300W Dimmable CFL/LED	Compatible	0	100	13
Lutron	Caseta PD-5NE-WH-C*	ELV, LED—up to 250 W	Compatible	2	100	21
Lutron	Caseta PD-10NXD-WH*	Triac, LED—up to 250 W	Compatible	0	100	21
Leviton	DSM10-1LZ*	Triac, 450W Dimmable CFL/LED	Compatible	3	100	38
Leviton	6674*	Triac, 150 W Dimmable CFL/LED	Compatible	5	100	13
Leviton	IPL06-10Z*	Triac, 150 W Dimmable CFL/LED	Compatible	4	100	13
Leviton	DSL06-1LZ*	Triac, 150 W Dimmable CFL/LED	Compatible	4	100	13
Leviton	D26HD-742-1RW*	Triac, 300W LED/CFL	Compatible	8	100	25
Legrand	ADTP703TUM4*	Triac, 450W Dimmable CFL/LED	Compatible	0	100	38
Legrand	RHL373PW*	Triac, 250W LED	Compatible	3	100	21
Control 4	C4-APD120-WH	ELV, 120W LED	Compatible	0	100	10
Commercial	HPDA311CW*	Triac, 150W LED & CFL	Compatible	0	100	13
TP-Link	HS220*	Triac, 150 W, Dimmable LED (MLV)	Compatible	3	100	13
Lutron	DVSTV (0–10 V Controls)*	960W, 8A, 120–277 V	Compatible	0	100	80
Leviton	IP710-DLZ(0–10 V Controls)	1200VA, 10A LED, 120–277V	Compatible	0	100	100
Leviton	ZS057-30Z(0–10 V Controls)	1388VA, 4A, 347V	Compatible	0	100	67
Lutron	Vive PowPak Dimming Module RMJS-8T-DV-B(0-960VA, 8A, 120-277V)		Compatible	0	100	80

*With Low-End Adjustment Feature

Minimal buzzing noise may occur with some dimmers

WARRANTY

DALS offers a 5-year warranty from the date of purchase which covers repairs or replacement of defective parts of the housing, optics, and electronics. To contact DALS customer service call 1-877-430-1818 or send an e-mail to info@dals.com.