



DALS LIGHTING

Canada
80, de la Seigneurie blvd., E.
Blainville, Quebec j7C 4N1

U.S.A.
4383, NW 124th Ave.,
Coral Springs, Florida 33065

877.430.1818
info@dals.com
dals.com

MODEL DSWC07-CC-V

NAME Shield

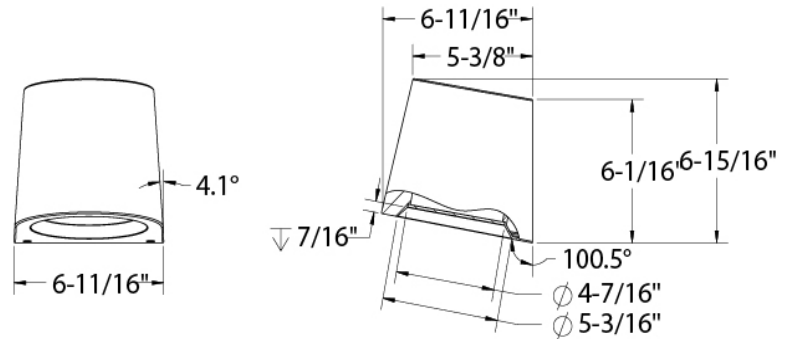
7" Multi-voltage Dark Sky Wall Sconce

These 5" and 7" dark-sky friendly wall fixtures offer focused, energy-efficient illumination while minimizing light pollution, making them ideal for environmentally conscious outdoor spaces.

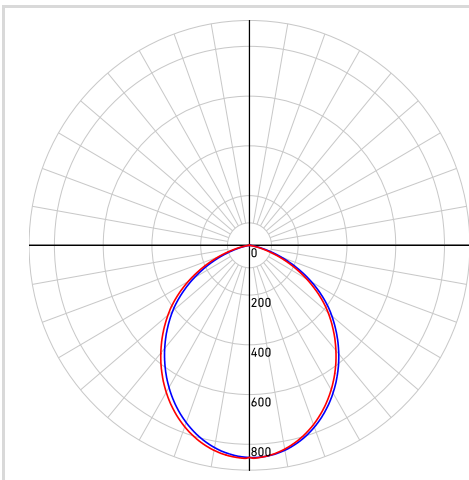
PROJECT _____ **TYPE** _____

DATE _____ **QTY** _____

NOTES



LIGHT DISTRIBUTION



QUICK SPECS

Size	7"
Watts (W)	24
Delivered lumens*	2000
CRI	90
Voltage (v)	120/277/347
Beam angle (deg)	100
Mounting	Screwed in
Lifespan (hrs)	50 000
Binning	5 SDCM
LED model	SMD 2835
Light direction	Down
Color temperature	2200,2700K,3000K,3500K,4000K

ELECTRICAL DETAILS

Environment	Wet
Location	Outdoor
Operating temp. (° C)	-30 to 40
IP rating	IP54
Input voltage (V)	120-347
Output voltage (V)	36
Output current (mA)	600
Power factor	99
Driver type	Constant current
THD	≤ 15%
Certifications	ETL, FCC, ICES

*Lumen output measured at 3000k

ORDERING GUIDE

DSWC07-CC-V - *Finish*
BK - Black

CONSTRUCTION

Lens material	Glass
Lens type	Frosted
Finish type	Powder painting
Housing material	Aluminum

WHAT'S IN THE BOX

LED wall sconce
 Mounting bracket
 Mounting hardware
 Wire nuts
 Instruction sheet

ACCESSORIES**ADAPTORS****RECOMMENDED DIMMER LIST***

BRAND	MODEL	DIMMER SPECS	GRADE	MIN	MAX	MAX LOAD
Lutron	DVSTV (0-10 V Controls)*	960W, 8A, 120-277 V	Compatible	1	100	39
Leviton	IP710-DLZ(0-10 V Controls)	1200VA, 10A LED, 120-277V	Compatible	0	93	49
Leviton	ZS057-30Z(0-10 V Controls)	1388VA, 4A , 347V	Compatible	1	100	33
Lutron	Vive PowPak Dimming ModuleRMJS-8T-D'	960VA, 8A, 120-277V	Compatible	0	96	39

*With Low-End Adjustment Feature

Minimal buzzing noise may occur with some dimmers

WARRANTY

DALS offers a 5-year warranty from the date of purchase which covers repairs or replacement of defective parts of the housing, optics, and electronics. To contact DAL'S customer service call 1-877-430-1818 or send an e-mail to info@dals.com.