



DALS LIGHTING

Canada
80, de la Seigneurie Blvd., E.
Blainville, Quebec J7C 4N1

U.S.A.
4383, NW 124th Ave.,
Coral Springs, Florida 33065

877.430.1818
info@dals.com
dals.com

MODEL LEDWALL001D-CC

NAME Cubix

Square directional wall sconce

Imagine being able to manually control the amount of light spread coming from both the top and bottom of your lighting fixture. This is now possible with our new LED wall sconces.

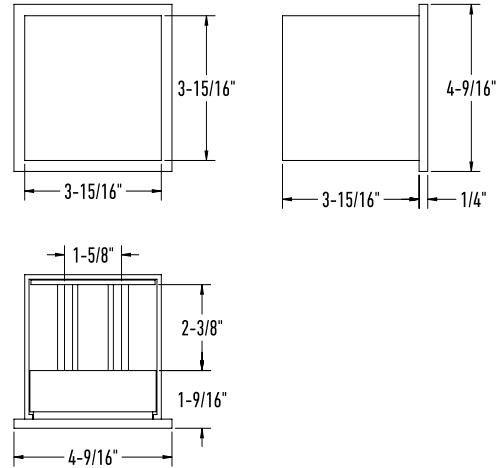
PROJECT

TYPE

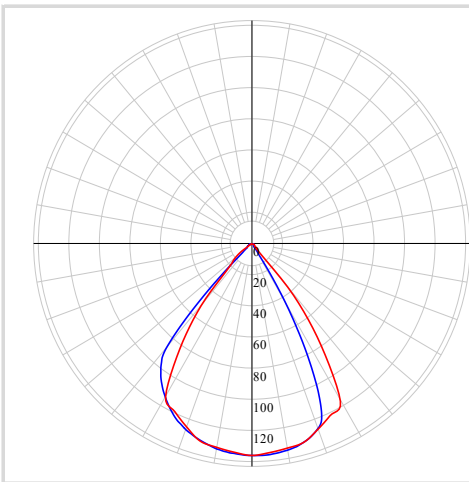
DATE

QTY

NOTES



LIGHT DISTRIBUTION



QUICK SPECS

Size	5"
Watts (W)	7
Delivered lumens*	800
CRI	90
Voltage (v)	120
Beam angle (deg)	100
Mounting	Octo Jbox
Lifespan (hrs)	50 000
Binning	3 SCDM
LED model	COB
Light direction	Up and down
Color temperature	2700K/3000K/3500K/4000K/5000K

ELECTRICAL DETAILS

Environment	Wet
Location	Indoor/Outdoor
Operating temp. (° C)	-20 to 60
IP rating	IP54
Input voltage (V)	120-277
Output voltage (V)	27-42
Output current (mA)	180
Power factor	99
Driver type	Constant current
THD	≤ 30%
Certifications	ETL, FCC, ICES, ADA

*Lumen output measured at 3000k

ORDERING GUIDE

LEDWALL001D-CC -
Finish
BK - Black ●

CONSTRUCTION

Lens material	Glass
Lens type	Clear
Finish type	Powder coated
Housing material	Aluminum

WHAT'S IN THE BOX	ACCESSORIES	ADAPTORS
LED wall sconce Mounting bracket Mounting hardware Wire nuts Instruction sheet		

RECOMMENDED DIMMER LIST*

BRAND	MODEL	DIMMER SPECS	GRADE	MIN	MAX	MAX LOAD
Dals	SM-DIMSW Smart Dimmer*	Triac, 250W LED/CFL	Compatible	3	96	36
Lutron	STCL-153PH-WH-C*	Triac, 150 W Dimmable CFL/LED	Compatible	1	96	21
Lutron	DVLV-600P-BL	Magnetic Low Voltage, 450W	Compatible	3	96	64
Lutron	MACL-153MRHW-WHC*	Triac, 150 W Dimmable CFL/LED	Compatible	3	96	21
Lutron	DVELV-300P-WH	300W electronic low voltage dimmer	Compatible	3	90	43
Lutron	MA-PRO-WH*	ELV, 250W LED/CFL	Compatible	1	96	36
Lutron	Caseta PD-6WCL-WH-R-C*	Triac, 300W Dimmable CFL/LED	Compatible	2	93	21
Lutron	Caseta PD-5NE-WH-C*	ELV, LED—up to 250 W	Compatible	1	97	36
Lutron	Caseta PD-10NXD-WH*	Triac, LED—up to 250 W	Compatible	0	93	36
Leviton †	6672-1LW	Triac, 150W Dimmable CFL/LED	Compatible	8	96	21
Leviton	DSM10-1LZ*	Triac, 450W Dimmable CFL/LED	Compatible	1	96	64
Leviton	6674*	Triac, 150 W Dimmable CFL/LED	Compatible	7	96	21
Leviton	¶PL06-10Z*	Triac, 150 W Dimmable CFL/LED	Compatible	5	96	21
Leviton	DSL06-1LZ*	Triac, 150 W Dimmable CFL/LED	Compatible	4	96	21
Legrand	RHCL453PNICCV4*	Triac, 450W Dimmable CFL/LED	Compatible	2	96	64
Legrand	ADPD453LM2*	Triac, 450W Dimmable CFL/LED	Compatible	6	95	64
Legrand	RHL373PW*	Triac, 250W LED	Compatible	1	90	36
Control 4	C4-APD120-WH	ELV, 120W LED	Compatible	1	96	17
Control 4	C4-FPD120-WH	Triac, 200W LED	Compatible	1	96	29
Commercial Electric	HPDA311CWB*	Triac, 150W LED & CFL	Compatible	9	96	21
TP-Link	HS220*	Triac, 150 W, Dimmable LED (MLV)	Compatible	1	96	21

*With Low-End Adjustment Feature

Minimal buzzing noise may occur with some dimmers

WARRANTY

DALS offers a 5-year warranty from the date of purchase which covers repairs or replacement of defective parts of the housing, optics, and electronics. To contact DALS customer service call 1-877-430-1818 or send an e-mail to info@dals.com.