



# DALS LIGHTING

Canada  
80, de la Seigneurie blvd., E.  
Blainville, Quebec J7C 4N1

U.S.A.  
4383, NW 124th Ave.,  
Coral Springs, Florida 33065

877.430.1818  
info@dals.com  
dals.com

**MODEL** SPD72-CC

**PROJECT** \_\_\_\_\_

**TYPE** \_\_\_\_\_

**NAME** Beam

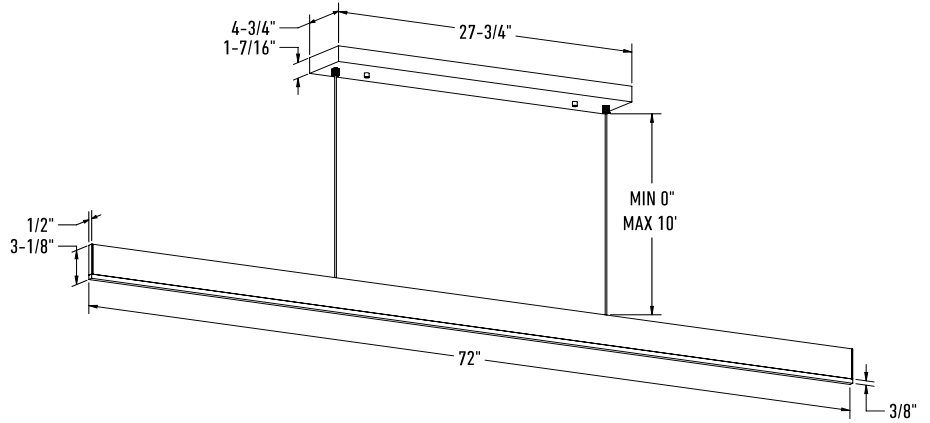
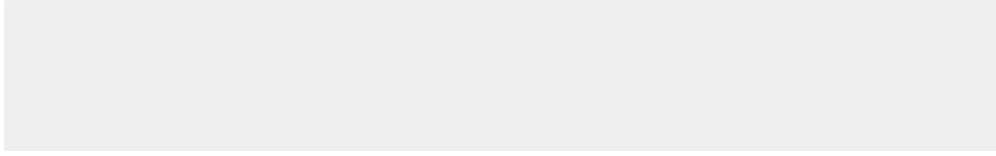
**DATE** \_\_\_\_\_

**QTY** \_\_\_\_\_

72in Slim Linear Pendant, 5CCT, 120, Triac

## NOTES

This sleek design truly utilizes the best features of LED technology. We are now able to create a unique form factor that will project the perfect amount of light.



### QUICK SPECS

<b>Size</b>	72"
<b>Watts (W)</b>	54
<b>Delivered lumens*</b>	2300
<b>CRI</b>	90
<b>Voltage (v)</b>	120
<b>Beam angle (deg)</b>	120
<b>Mounting</b>	Screwed in
<b>Lifespan (hrs)</b>	50 000
<b>Binning</b>	3 SDCM
<b>LED model</b>	SMD 2835
<b>Light direction</b>	Down
<b>Color temperature</b>	2700K/3000K/3500K/4000K/5000K

### ELECTRICAL DETAILS

<b>Environment</b>	Dry
<b>Location</b>	Indoor
<b>Operating temp. (° C)</b>	-20 to 40
<b>IP rating</b>	IP20
<b>Input voltage (V)</b>	120
<b>Output voltage (V)</b>	18-36
<b>Output current (mA)</b>	1200
<b>Power factor</b>	99%
<b>Driver type</b>	Constant current
<b>THD</b>	≤ 30%
<b>Certifications</b>	ETL, FCC, ICES

### ORDERING GUIDE

SPD72-CC - \_\_\_\_\_  
*Finish*  
**WH** - White ○  
**BK** - Black ●

### CONSTRUCTION

<b>Lens material</b>	Acrylic
<b>Lens type</b>	Frosted
<b>Finish type</b>	Powder coated
<b>Housing material</b>	Aluminum

WHAT'S IN THE BOX	ACCESSORIES	ADAPTORS
<ul style="list-style-type: none"> <li>LED flush mount fixture</li> <li>Mounting bracket</li> <li>Mounting hardware</li> <li>Wire nuts</li> <li>Instruction sheet</li> </ul>		

#### RECOMMENDED DIMMER LIST\*

BRAND	MODEL	DIMMER SPECS	GRADE	MIN	MAX	MAX LOAD
Dals	SM-DIMSW Smart Dimmer*	Triac, 250W LED/CFL	Compatible	4	99	5
Lutron	DVCL-153PR-WH-C*	Triac, 150 W Dimmable CFL/LED	Compatible	3	100	3
Lutron	CTCL-153PDH-WH-C*	Triac, 150 W Dimmable CFL/LED	Compatible	3	100	3
Lutron	STCL-153PH-WH-C*	Triac, 150 W Dimmable CFL/LED	Compatible	0	100	3
Lutron	MACL-153MRHW-WHC*	Triac, 150 W Dimmable CFL/LED	Compatible	0	100	3
Lutron	DVELV-300P-WH	300W electronic low voltage dimmer	Compatible	4	97	6
Lutron	MA-PRO-WH*	ELV, 250W LED/CFL	Compatible	1	100	5
Lutron	Caseta PD-6WCL-WH-R-C*	Triac, 300W Dimmable CFL/LED	Compatible	0	100	3
Lutron	Caseta PD-5NE-WH-C*	ELV, LED—up to 250 W	Compatible	3	100	5
Lutron	Caseta PD-10NXD-WH*	Triac, LED—up to 250 W	Compatible	1	100	5
Leviton	DSM10-1LZ*	Triac, 450W Dimmable CFL/LED	Compatible	3	99	8
Leviton	6674*	Triac, 150 W Dimmable CFL/LED	Compatible	4	99	3
Leviton	PL06-10Z*	Triac, 150 W Dimmable CFL/LED	Compatible	3	99	3
Leviton	DSL06-1LZ*	Triac, 150 W Dimmable CFL/LED	Compatible	3	99	3
Leviton	D26HD-742-1RW*	Triac, 300W LED/CFL	Compatible	6	99	6
Legrand	RHCL453PNICCV4*	Triac, 450W Dimmable CFL/LED	Compatible	5	99	8
Legrand	ADTP703TUM4*	Triac, 450W Dimmable CFL/LED	Compatible	7	100	8
Legrand	ADPD453LM2*	Triac, 450W Dimmable CFL/LED	Compatible	7	100	8
Legrand	RHL373PW*	Triac, 250W LED	Compatible	3	100	5
Control 4	C4-APD120-WH	ELV, 120W LED	Compatible	1	99	2
Control 4	C4-FPD120-WH	Triac, 200W LED	Compatible	1	99	4
TP-Link	HS220*	Triac, 150 W, Dimmable LED (MLV)	Compatible	3	99	3

\*With Low-End Adjustment Feature

*Minimal buzzing noise may occur with some dimmers*

#### WARRANTY

DALS offers a 5-year warranty from the date of purchase which covers repairs or replacement of defective parts of the housing, optics, and electronics. To contact DALS customer service call 1-877-430-1818 or send an e-mail to [info@dals.com](mailto:info@dals.com).