



DALS LIGHTING

Canada
80, de la Seigneurie Blvd., E.
Blainville, Quebec J7C 4N1

U.S.A.
4383, NW 124th Ave.,
Coral Springs, Florida 33065

877.430.1818
info@dals.com
dals.com

MODEL SPD48-CC

NAME Beam

48in Slim Linear Pendant, 5CCT, 120, Triac

This sleek design truly utilizes the best features of LED technology. We are now able to create a unique form factor that will project the perfect amount of light.

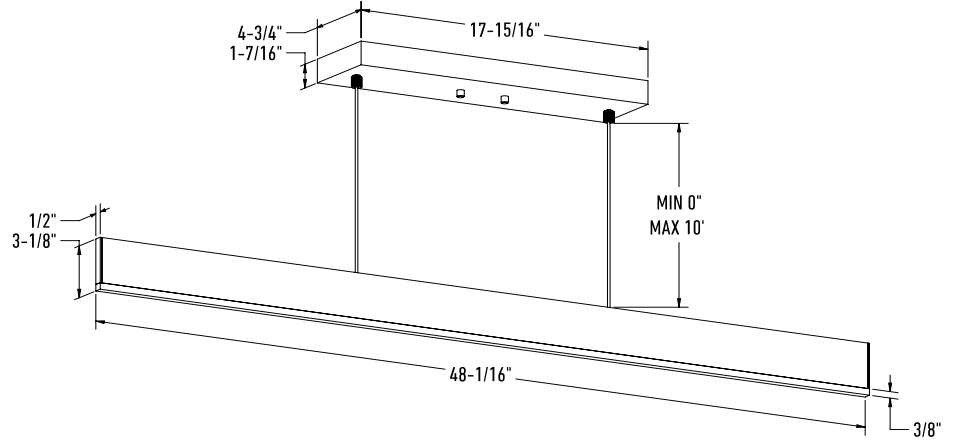
PROJECT

TYPE

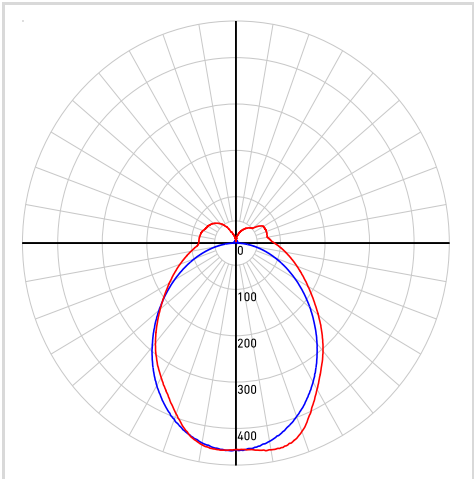
DATE

QTY

NOTES



LIGHT DISTRIBUTION



*Lumen output measured at 3000k

QUICK SPECS

Size	48"
Watts (W)	27
Delivered lumens*	1530
CRI	90
Voltage (v)	120
Beam angle (deg)	120
Mounting	Screwed in
Lifespan (hrs)	50 000
Binning	3 SDCM
LED model	SMD 2835
Light direction	Down
Color temperature	2700K/3000K/3500K/4000K/5000K

ELECTRICAL DETAILS

Environment	Dry
Location	Indoor
Operating temp. (° C)	-20 to 40
IP rating	IP20
Input voltage (V)	120
Output voltage (V)	18-40
Output current (mA)	700
Power factor	97%
Driver type	Constant current
THD	≤ 30%
Certifications	ETL, FCC, ICES

ORDERING GUIDE

SPD48-CC -

Finish

WH - White

BK - Black

CONSTRUCTION

Lens material	Acrylic
Lens type	Frosted lens
Finish type	Powder coated
Housing material	Aluminum

WHAT'S IN THE BOX	ACCESSORIES	ADAPTORS
<ul style="list-style-type: none"> LED flush mount fixture Mounting bracket Mounting hardware Wire nuts Instruction sheet 		

RECOMMENDED DIMMER LIST*

BRAND	MODEL	DIMMER SPECS	GRADE	MIN	MAX	MAX LOAD
Dals	SM-DIMSW Smart Dimmer	Triac, 250W LED/CFL	Compatible	3	100	8
Lutron	DVCL-153PR-WH-C	Triac, 150 W Dimmable CFL/LED	Compatible	3	100	5
Lutron	CTCL-153PDH-WH-C	Triac, 150 W Dimmable CFL/LED	Compatible	5	100	5
Lutron	STCL-153PH-WH-C	Triac, 150 W Dimmable CFL/LED	Compatible	0	100	5
Lutron	MACL-153MRHW-WHC	Triac, 150 W Dimmable CFL/LED	Compatible	0	100	5
Lutron	DVELV-300P-WH	300W electronic low voltage dimmer	Compatible	4	83	9
Lutron	MA-PRO-WH	ELV, 250W LED/CFL	Compatible	0	100	8
Lutron	Caseta PD-6WCL-WH-R-C	Triac, 300W Dimmable CFL/LED	Compatible	0	98	9
Lutron	Caseta PD-5NE-WH-C	ELV, LED—up to 250 W	Compatible	3	100	8
Lutron	Caseta PD-10NXD-WH	Triac, LED—up to 250 W	Compatible	0	100	8
Leviton	6674	Triac, 150 W Dimmable CFL/LED	Compatible	4	100	5
Leviton	#PL06-10Z	Triac, 150 W Dimmable CFL/LED	Compatible	3	100	5
Leviton	DSL06-1LZ	Triac, 150 W Dimmable CFL/LED	Compatible	3	100	5
Leviton	D26HD-742-1RW	Triac, 300W LED/CFL	Compatible	7	100	9
Legrand	RHCL453PNICCV4	Triac, 450W Dimmable CFL/LED	Compatible	7	100	14
Legrand	ADTP703TUM4	Triac, 450W Dimmable CFL/LED	Compatible	8	88	14
Control 4	C4-APD120-WH	ELV, 120W LED	Compatible	0	100	4
Control 4	C4-FPD120-WH	Triac, 200W LED	Compatible	0	100	6
Commercial Electric	Smart Wi-Fi Light Switch	Triac, 150W LED & CFL	Compatible	0	100	5
tp-link	HS220 Smart Wi-Fi Light Switch,	Leading Edge Dimming	Compatible	2	100	5

*With Low-End Adjustment Feature

Minimal buzzing noise may occur with some dimmers

WARRANTY

DALS offers a 5-year warranty from the date of purchase which covers repairs or replacement of defective parts of the housing, optics, and electronics. To contact DAL'S customer service call 1-877-430-1818 or send an e-mail to info@dals.com.