



**DALS
LIGHTING**

Canada
80, de la Seigneurie blvd., E.
Blainville, Quebec J7C 4N1

U.S.A.
4383, NW 124th Ave.,
Coral Springs, Florida 33065

877.430.1818
info@dals.com
dals.com

MODEL RTJB3-CC

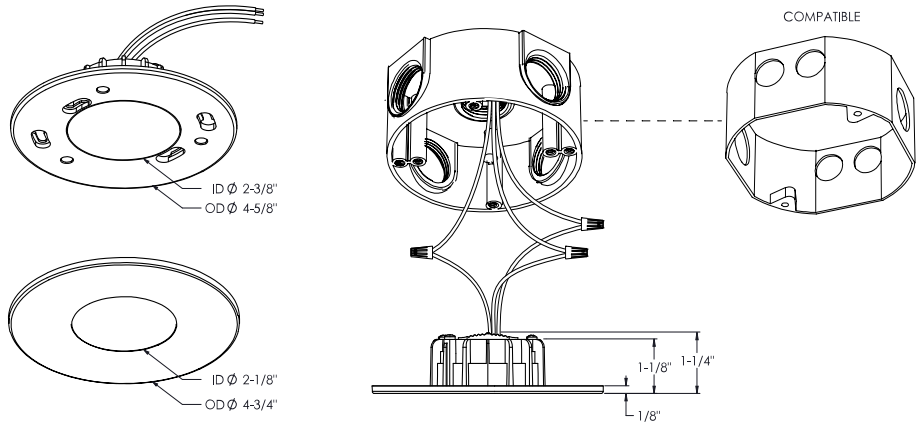
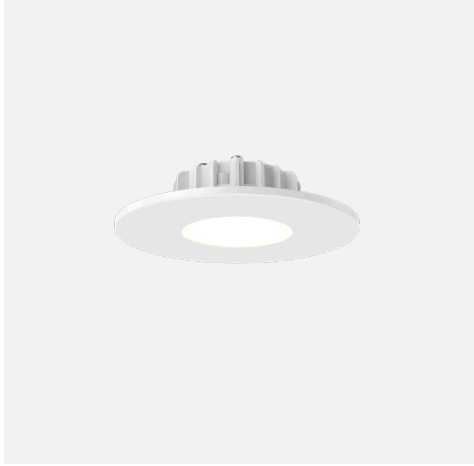
NAME Alter Series

3in Round Retrofit LED Panel Light, 5CCT,
This aluminum retrofit LED panel offers the easiest and most practical solution for upgrading your outdated recessed lighting. For style and convenience, the removable outer trim attaches with magnetic fasteners, creating a seamless look.

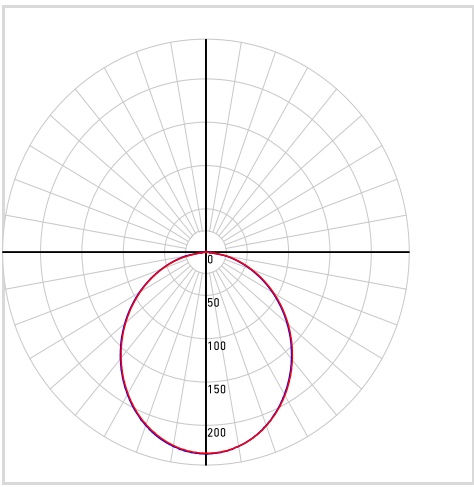
PROJECT [] **TYPE** []

DATE [] **QTY** []

NOTES



LIGHT DISTRIBUTION



*Lumen output measured at 3000k

QUICK SPECS

Size	2 3/8"
Watts (W)	8
Delivered lumens*	620
CRI	90
Voltage (v)	120
Beam angle (deg)	107
Cut hole size (in)	Octo Jbox
Lifespan (hrs)	50 000
FT rating	-
Binning	3 SDCM
LED model	SMD 2835
Color temperature	2700K/3000K/3500K/4000K/5000K

ELECTRICAL DETAILS

Environment	Wet
Location	Indoor/Outdoor
Operating temp. (° C)	-20 to 40
IP rating	IP44
Input voltage (V)	120
Output voltage (V)	-
Output current (mA)	-
Power factor (%)	98
Driver type	DOB
THD	≤ 30%
Certifications	ETL, FCC, ICES, JA8/T24
	IC, ASTM E283-04

ORDERING GUIDE

RTJB3-CC - [] - []

Voltage

Finish

BLANK - 120v
Triac dimming

WH - White

CONSTRUCTION

Lens material	Frosted
Optic type	Flat lens
Finish type	Matte
Housing material	Aluminum

WHAT'S IN THE BOX	ACCESSORIES	ADAPTORS
LED recessed fixture	RFP-UNI	REC-CC-EXT8FT
Junction box	Universal drilling plate	96" extension cord for recessed fixtures
3x Push-in wire connectors	RFP-23	REC-CC-EXT20FT
Mounting hardware	Drilling plate	240" extension cord for recessed fixtures
Instruction sheet		

RECOMMENDED DIMMER LIST*

BRAND	MODEL	DIMMER SPECS	GRADE	MIN	MAX	MAX LOAD
Dals	SM-DIMSW Smart Dimmer*	Triac, 250W LED/CFL	Compatible	0	100	31
Lutron	DVCL-153PR-WH-C*	Triac, 150 W Dimmable CFL/LED	Compatible	0	99	19
Lutron	CTCL-153PDH-WH-C*	Triac, 150 W Dimmable CFL/LED	Compatible	0	99	19
Lutron	STCL-153PH-WH-C*	Triac, 150 W Dimmable CFL/LED	Compatible	0	96	19
Lutron	DVLV-600P-BL	Magnetic Low Voltage, 450W	Compatible	0	98	56
Lutron	MACL-153MRHW-WHC*	Triac, 150 W Dimmable CFL/LED	Compatible	0	96	19
Lutron	MA-PRO-WH*	ELV, 250W LED/CFL	Compatible	0	96	31
Lutron	Caseta PD-6WCL-WH-R-C*	Triac, 300W Dimmable CFL/LED	Compatible	0	92	19
Lutron	Caseta PD-5NE-WH-C*	ELV, LED—up to 250 W	Compatible	0	99	31
Lutron	Caseta PD-10NXD-WH*	Triac, LED—up to 250 W	Compatible	0	94	31
Leviton †	6672-1LW	Triac, 150W Dimmable CFL/LED	Compatible	0	98	19
Leviton	DSM10-1LZ*	Triac, 450W Dimmable CFL/LED	Compatible	0	99	56
Leviton	6674*	Triac, 150 W Dimmable CFL/LED	Compatible	0	99	19
Leviton	PL06-10Z*	Triac, 150 W Dimmable CFL/LED	Compatible	0	99	19
Leviton	DSL06-1LZ*	Triac, 150 W Dimmable CFL/LED	Compatible	0	99	19
Leviton	D26HD-742-1RW*	Triac, 300W LED/CFL	Compatible	0	99	38
Legrand	RHCL453PNICCV4*	Triac, 450W Dimmable CFL/LED	Compatible	0	98	56
Legrand	ADTP703TUM4*	Triac, 450W Dimmable CFL/LED	Compatible	0	99	56
Legrand	ADPD453LM2*	Triac, 450W Dimmable CFL/LED	Compatible	0	98	56
Control 4	C4-APD120-WH	ELV, 120W LED	Compatible	0	100	15
Control 4	C4-FPD120-WH	Triac, 200W LED	Compatible	0	97	25
TP-Link	HS220*	Triac, 150 W, Dimmable LED (MLV)	Compatible	0	100	19
Leviton	RDL06-10Z	Triac, 150W LED & CFL	Compatible	1	99	19

Minimal buzzing noise may occur with some dimmers

WARRANTY

DALS offers a 5-year warranty from the date of purchase which covers repairs or replacement of defective parts of the housing, optics, and electronics. To contact DALS customer service call 1-877-430-1818 or send an e-mail to info@dals.com.