



DALS LIGHTING

Canada
80, de la Seigneurie blvd., E.
Blainville, Quebec J7C 4N1

U.S.A.
4383, NW 124th Ave.,
Coral Springs, Florida 33065

877.430.1818
info@dals.com
dals.com

MODEL GBR35-CC-TRIO

NAME Revolve

Triple 3.5" Regressed Gimbal Downlight

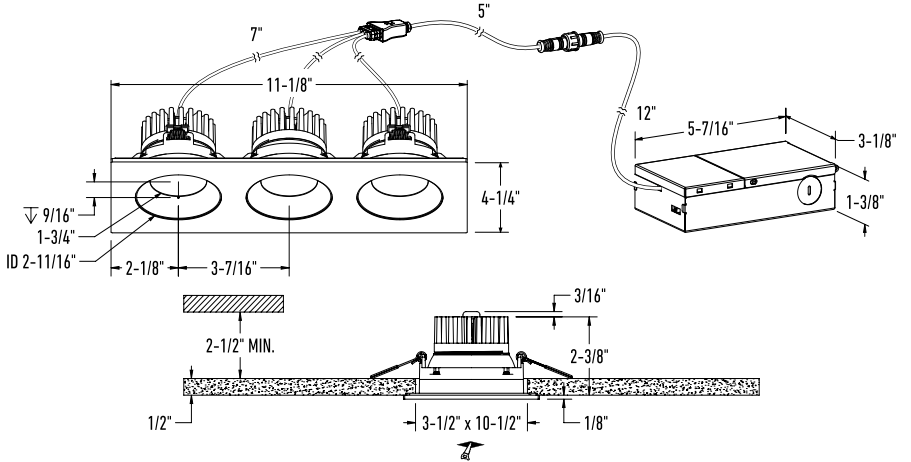
Our Recessed family has grown with a new range of adjustable downlights. The effortless design and high functionality of these fixtures are sure to make a welcome addition in any room.



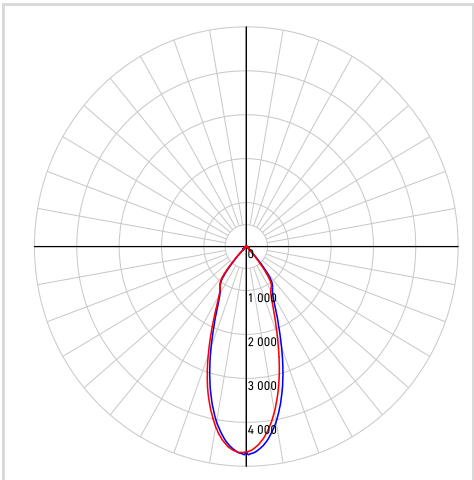
PROJECT [] **TYPE** []

DATE [] **QTY** []

NOTES



LIGHT DISTRIBUTION



*Lumen output measured at 3000k

QUICK SPECS

Size	3.5"
Watts (W)	36
Delivered lumens*	3010
CRI	90
Voltage (v)	120
Beam angle (deg)	40
Cut hole size (in)	10-1/2" x 3-1/2"
Lifespan (hrs)	50 000
FT rating	FT6
Binning	8 SDCM
LED model	COB
Color temperature	2700K/3000K/3500K/4000K/5000K

ELECTRICAL DETAILS

Environment	Wet
Location	Indoor/Outdoor
Operating temp. (° C)	-20 to 40
IP rating	IP44
Input voltage (V)	120
Output voltage (V)	30-42
Output current (mA)	560
Power factor (%)	98
Driver type	Constant current
THD	30%
Certifications	ETL, FCC, ICES
JA8/T24	

ORDERING GUIDE

GBR35-CC-TRIO	-	[]	-	[]
		Voltage		Finish
		BLANK - 120v Triac dimming		WH - White
		V - 120-277-347V 0-10v dimming		BK - Black

CONSTRUCTION

Lens material	Acrylic
Optic type	Optical lens
Finish type	Matte
Housing material	Aluminum

WHAT'S IN THE BOX	ACCESSORIES	ADAPTORS
<ul style="list-style-type: none"> LED recessed fixture Junction box 3x Push-in wire connectors Mounting hardware Instruction sheet 	<ul style="list-style-type: none"> RFP-UNI Universal drilling plate RFP-TRIO Universal drilling plate 	<ul style="list-style-type: none"> REC-CC-EXT8FT 96" extension cord for recessed fixtures REC-CC-EXT20FT 240" extension cord for recessed fixtures

RECOMMENDED DIMMER LIST*

BRAND	MODEL	DIMMER SPECS	GRADE	MIN	MAX	MAX LOAD
Lutron	DVCL-153PR-WH-C*	Triac, 150 W Dimmable CFL/LED	Compatible	9	100	4
Lutron	CTCL-153PDH-WH-C*	Triac, 150 W Dimmable CFL/LED	Compatible	9	100	4
Lutron	STCL-153PH-WH-C*	Triac, 150 W Dimmable CFL/LED	Compatible	2	100	4
Lutron	MACL-153MRHW-WHC*	Triac, 150 W Dimmable CFL/LED	Compatible	2	100	4
Lutron	DVELV-300P-WH	300W electronic low voltage dimmer	Compatible	11	92	8
Lutron	MA-PRO-WH*	ELV, 250W LED/CFL	Compatible	3	100	7
Lutron	Caseta PD-6WCL-WH-R-C*	Triac, 300W Dimmable CFL/LED	Compatible	1	100	4
Lutron	Caseta PD-5NE-WH-C*	ELV, LED—up to 250 W	Compatible	8	100	7
Lutron	Caseta PD-10NXD-WH*	Triac, LED—up to 250 W	Compatible	2	100	7
Leviton	DSM10-1LZ*	Triac, 450W Dimmable CFL/LED	Compatible	6	100	13
Legrand	RHL373PW*	Triac, 250W LED	Compatible	8	100	7
Control 4	C4-APD120-WH	ELV, 120W LED	Compatible	0	100	3
Control 4	C4-FPD120-WH	Triac, 200W LED	Compatible	1	100	6
TP-Link	HS220*	Triac, 150 W, Dimmable LED (MLV)	Compatible	8	100	4

*With Low-End Adjustment Feature

Minimal buzzing noise may occur with some dimmers

WARRANTY

DALS offers a 5-year warranty from the date of purchase which covers repairs or replacement of defective parts of the housing, optics, and electronics. To contact DAL'S customer service call 1-877-430-1818 or send an e-mail to info@dals.com.