



# DALS LIGHTING

Canada  
80, de la Seigneurie blvd., E.  
Blainville, Quebec J7C 4N1

U.S.A.  
4383, NW 124th Ave.,  
Coral Springs, Florida 33065

877.430.1818  
info@dals.com  
dals.com

**MODEL** FGM4-CC-TRIO

**NAME** Pivot

Triple 4" flat gimbal recessed

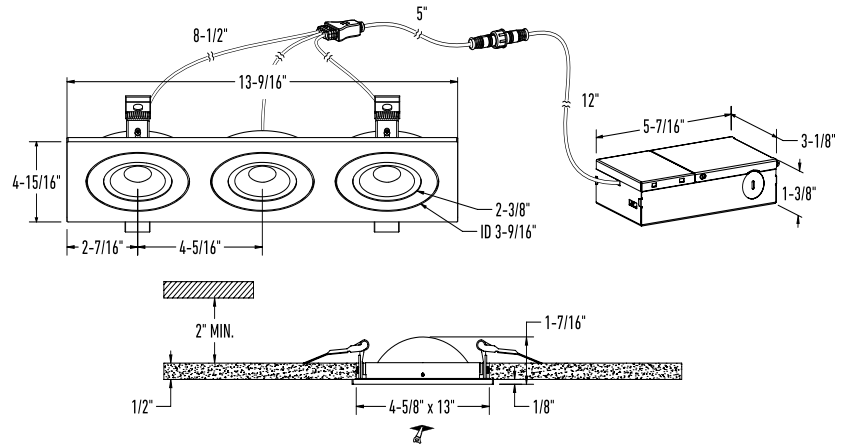
With an infinite choice of beam direction, Pivot Trio provides a discrete yet functional solution to general or accent lighting within your space.



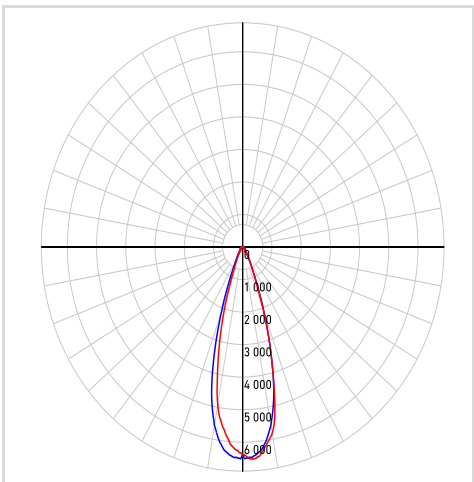
**PROJECT** \_\_\_\_\_ **TYPE** \_\_\_\_\_

**DATE** \_\_\_\_\_ **QTY** \_\_\_\_\_

**NOTES**



## LIGHT DISTRIBUTION



\*Lumen output measured at 3000k

## QUICK SPECS

<b>Size</b>	4"
<b>Watts (W)</b>	27
<b>Delivered lumens*</b>	2300
<b>CRI</b>	90
<b>Voltage (v)</b>	120
<b>Beam angle (deg)</b>	31
<b>Cut hole size (in)</b>	13" x 4-5/8"
<b>Lifespan (hrs)</b>	50 000
<b>FT rating</b>	FT6
<b>Binning</b>	4 SDCM
<b>LED model</b>	COB
<b>Color temperature</b>	2700K/3000K/3500K/4000K/5000K

## ELECTRICAL DETAILS

<b>Environment</b>	Wet
<b>Location</b>	Indoor/Outdoor
<b>Operating temp. (° C)</b>	-20 to 40
<b>IP rating</b>	IP44
<b>Input voltage (V)</b>	120
<b>Output voltage (V)</b>	35
<b>Output current (mA)</b>	660
<b>Power factor (%)</b>	98
<b>Driver type</b>	Constant current
<b>THD</b>	<30%
<b>Certifications</b>	ETL, FCC, ICES, ES, IC
	ASTM E283-04, JA8/T24

## ORDERING GUIDE

FGM4-CC-TRIO	-	_____	-	_____
		Voltage		Finish
		<b>BLANK</b> - 120v Triac dimming		<b>WH</b> - White
		<b>V</b> - 120-277-347V 0-10v dimming		<b>BK</b> - Black

## CONSTRUCTION

<b>Lens material</b>	Acrylic
<b>Optic type</b>	Optical lens
<b>Finish type</b>	Matte
<b>Housing material</b>	Aluminum

**WHAT'S IN THE BOX**

LED recessed fixture  
 Junction box  
 3x Push-in wire connectors  
 Mounting hardware  
 Instruction sheet

**ACCESSORIES**

[RFP-UNI](#)  
 Universal drilling plate  
[RFP-TRIO](#)  
 Rough-in plate for trio-recessed products

**ADAPTORS**

[REC-CC-EXT8FT](#)  
 96" extension cord for recessed fixtures  
[REC-CC-EXT20FT](#)  
 240" extension cord for recessed fixtures

**RECOMMENDED DIMMER LIST\***

BRAND	MODEL	DIMMER SPECS	GRADE	MIN	MAX	MAX LOAD
Lutron	DVCL-153PR-WH-C*	Triac, 150 W Dimmable CFL/LED	Compatible	8	100	6
Lutron	CTCL-153PDH-WH-C*	Triac, 150 W Dimmable CFL/LED	Compatible	8	100	6
Lutron	STCL-153PH-WH-C*	Triac, 150 W Dimmable CFL/LED	Compatible	2	100	6
Lutron	MACL-153MRHW-WHC*	Triac, 150 W Dimmable CFL/LED	Compatible	1	100	6
Lutron	DVELV-300P-WH	300W electronic low voltage dimmer	Compatible	10	95	11
Lutron	MA-PRO-WH*	ELV, 250W LED/CFL	Compatible	2	100	9
Lutron	Caseta PD-6WCL-WH-R-C*	Triac, 300W Dimmable CFL/LED	Compatible	0	100	6
Lutron	Caseta PD-5NE-WH-C*	ELV, LED—up to 250 W	Compatible	6	100	9
Lutron	Caseta PD-10NXD-WH*	Triac, LED—up to 250 W	Compatible	1	100	9
Leviton	DSM10-1LZ*	Triac, 450W Dimmable CFL/LED	Compatible	4	100	17
Legrand	RHL373PW*	Triac, 250W LED	Compatible	7	100	9
Control 4	C4-APD120-WH	ELV, 120W LED	Compatible	1	100	4
Commercial Electric	HPDA311CWB*	Triac, 150W LED & CFL	Compatible	0	100	6
TP-Link	HS220*	Triac, 150 W, Dimmable LED (MLV)	Compatible	6	100	6

\*With Low-End Adjustment Feature

Minimal buzzing noise may occur with some dimmers

**WARRANTY**

DALS offers a 5-year warranty from the date of purchase which covers repairs or replacement of defective parts of the housing, optics, and electronics. To contact DAL'S customer service call 1-877-430-1818 or send an e-mail to [info@dals.com](mailto:info@dals.com).