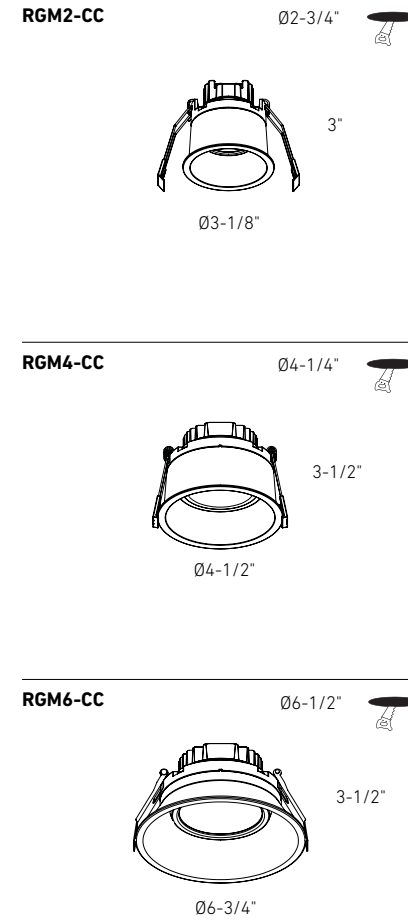


FACET

This versatile modern thin-trim 2, 4 and 6-inch gimbal with multi-directional adjustable swivel produces a bright glow with minimal glare as a result of its regressed light source. Ideal for general lighting or for areas requiring a directional light to showcase unique elements or to create dramatic wall-wash effects.



- WET
- LOW-GLARE
- 30° SWIVEL/DIRECTIONAL
- AIR TIGHT
- IC RATED**
- T24 JA8 CERTIFIED**
-
-



Model	Size	Watts	Delivered lumens	CRI	Color °T	Voltage options ⚡
RGM2-CC	2"	8 W	660 lm	90	2700, 3000, 3500, 4000, 5000 K	120V TRIAC dimming
RGM4-CC	4"	12 W	1200 lm			or
RGM6-CC	6"	20 W	1500 lm			V: 120 / 277 / 347V 0-10V dimming (Check for availability)

Specifications

Every fixture includes a junction box with integrated dimmable driver
 Can be daisy chained
 Aluminum construction
 Switch-selectable CCT
 40° beam angle
 30° tilting, 360° rotation
 5-year warranty

Finish

- **BK** Black
- **WH** White

Accessories

- RFP-UNI**
Universal rough-in plate
- RFP-23**
Rough-in plate for 2" model
- RFP-46**
Rough-in plate for 4" and 6" models
- REC-CC-EXT8FT**
8-foot extension cable
- REC-CC-EXT20FT**
20-foot extension cable

Multi-voltage (V) ⚡

This product family offers multi-voltage drivers (120/277/347) that are dimmable using 0-10V dimming systems. Please note that longer lead times may apply for this option. Kindly reach out to your DALI representative for additional information and to confirm availability.

Note

Other color temperatures, finishes, and voltage options are available but may require minimum order quantities (MOQs) and longer lead times. Please contact your DALI representative for more information.

*Model RGM4-CC only