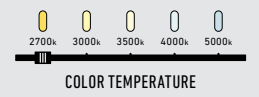


PINPOINT

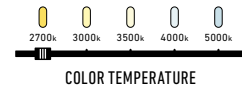
This series provides a contemporary aesthetic and functional design to your space. Available in various styles, and framed by a powder-coat finish, these high-output fixtures deliver crisp, low-glare light.



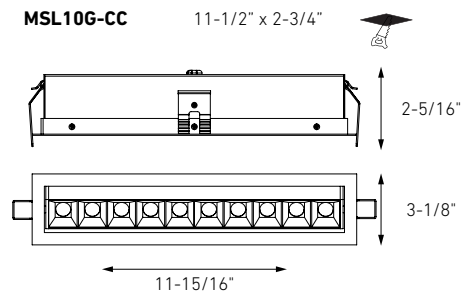
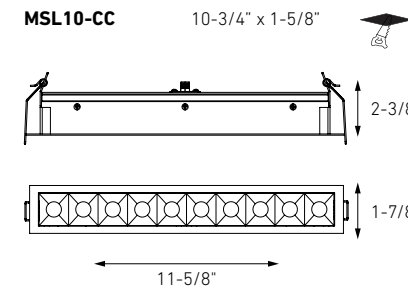
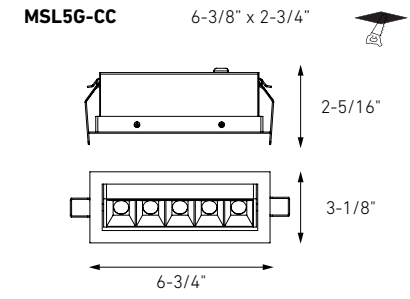
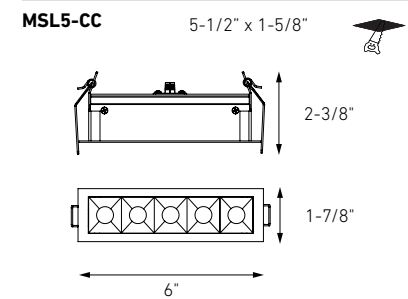
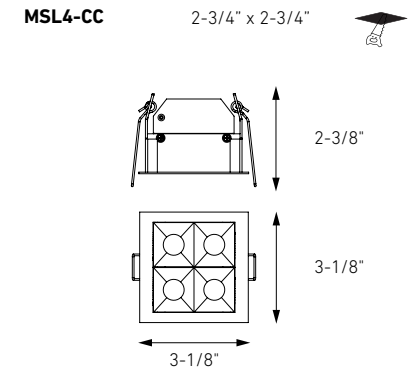
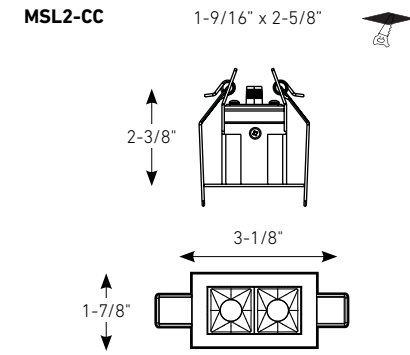
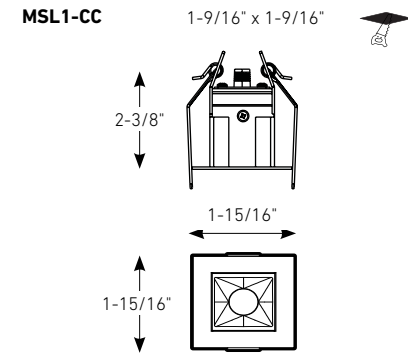
*Models MSL5G-CC and MSL10G-CC only

PINPOINT

This series provides a contemporary aesthetic and functional design to your space. Available in various styles, and framed by a powder-coat finish, these high-output fixtures deliver crisp, low-glare light.



- DRY
- LOW-GLARE
- 30° SWIVEL/DIRECTIONAL*
- IC RATED
- ETL Intertek



Model	Size	Watts	Delivered lumens	CRI	Color °T	Voltage options ⚡
MSL1-CC*	1-15/16"	3 W	120 lm	90	2700, 3000, 3500, 4000, 5000 K	120V TRIAC dimming
MSL2-CC	3-1/8"	6 W	320 lm			or
MSL4-CC	3-1/8"	12 W	600 lm			V: 120 / 277 / 347V 0-10V dimming (Check for availability)
MSL5-CC	6"	14 W	800 lm			
MSL5G-CC	6-3/4"	14 W	800 lm			
MSL10-CC	11-5/8"	24 W	1300 lm			
MSL10G-CC	11-15/16"	24 W	1300 lm			

Specifications

Every fixture includes a junction box with integrated dimmable driver
 Switch-selectable CCT
 Can be daisy chained
 Aluminum construction
 30 degree swivel (models MSL5G and MSL10G only)
 Low-glare
 5-year warranty

Accessories

- RFP-MSL1**
Rough-in plate for MSL1
- RFP-MSL2**
Rough-in plate for MSL2
- RFP-MSL4**
Rough-in plate for MSL4
- RFP-MSL5**
Rough-in plate for MSL5
- RFP-MSL5G**
Rough-in plate for MSL5G
- RFP-MSL10**
Rough-in plate for MSL10
- RFP-MSL10G**
Rough-in plate for MSL10G
- REC-CC-EXT8FT**
8-foot extension cable
- REC-CC-EXT20FT**
20-foot extension cable

Finish

- BK** Black
- WH** White

Multi-voltage (V) ⚡

This product family offers multi-voltage drivers (120/277/347) that are dimmable using 0-10V dimming systems. Please note that longer lead times may apply for this option. Kindly reach out to your DALI representative for additional information and to confirm availability.

Note

Other color temperatures, finishes, and voltage options are available but may require minimum order quantities (MOQs) and longer lead times. Please contact your DALI representative for more information.

*MSL1-CC is available with standard 120V voltage only