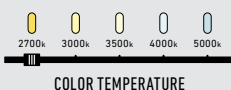


NEW



W
MULTI-WATTAGE

AIR TIGHT

IC RATED

T24 JA8 CERTIFIED

ETL US Intertek

ENERGY STAR

APERTURE

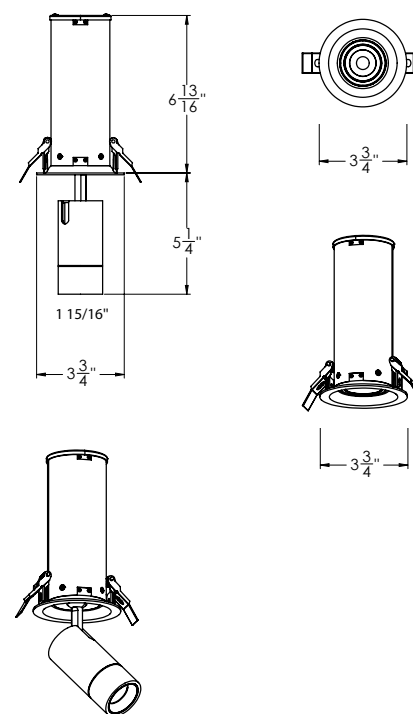
Ideal for residential spaces, art galleries, or boutiques, our multi-function downlight offers versatile performance. It transitions seamlessly between recessed and spotlight modes, allows beam angle adjustments, tilts 90 degrees, and features multi-wattage settings to adapt to various lighting needs.

MFD03-MW-CC



MFD03-CC

Ø3-3/8"



Model	Size	Watts	Delivered lumens	CRI	Color °T	Voltage options ⚡
MFD03-MW-CC	3"	8, 10, 12 W	600, 800, 1000 lm	90	2700, 3000, 3500, 4000, 5000 K	120V TRIAC dimming or V: 120 / 277 / 347V 0-10V dimming (Check for availability)

Specifications

Every fixture includes a junction box with integrated dimmable driver
 Switch-selectable CCT
 Multi-watt output allows you to choose from three wattage settings for customizable brightness directly on the jbox
 Can be daisy chained
 90° tilting, 360° rotation
 Adjustable beam angle from 30° to 60°
 5-year warranty

Finish

- **BK** Black
- **WH** White

Accessories

- RFP-231**
Rough-in plate
- RFP-UNI**
Universal rough-in plate
- REC-CC-EXT8FT**
8-foot extension cable
- REC-CC-EXT20FT**
20-foot extension cable

Multi-voltage (V) ⚡

This product family offers multi-voltage drivers (120/277/347) that are dimmable using 0-10V dimming systems. Please note that longer lead times may apply for this option. Kindly reach out to your DALI representative for additional information and to confirm availability.

Note

Other color temperatures, finishes, and voltage options are available but may require minimum order quantities (MOQs) and longer lead times. Please contact your DALI representative for more information.