

dals



LANDSCAPE

LIGHTING

2024









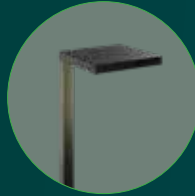
SPOT

Spot light
10



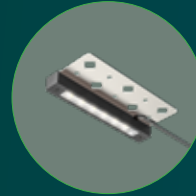
SLIM SPOT

Narrow-beam
spot light
10



EDGE

Path light
12



CONTOUR

Hardscape light
12



FLUX

Path light
14



BEACON

Path light
14



COLUMN

Bollard
16



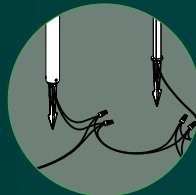
TRANSFORMERS

Low-voltage
transformers
16



ACCESSORIES

Landscape
accessories
18



INSTALLATION

Wiring diagram
example
19



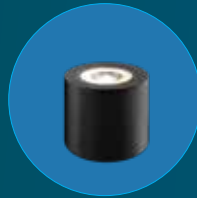
VOLTAGE DROP

12VAC voltage drop
calculator
20-21



ORBIT

Spot light
24



GRAVITY

Ground light
24



ACUTE

Path light
26



FLEX

Neon tape light
26



HORIZON

Flood light
28



MASON

Brick light
28



KAYU

Rock light
30



GAÏA

Path light
30



AXIS

Stick light
32



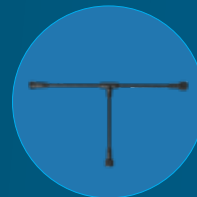
ORION

String light
32



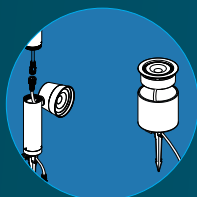
CORE

Low-voltage
transformers
34



ACCESSORIES

Smart landscape
accessories
35



INSTALLATION

Wiring diagram
example
36



CONNECTION GUIDE

Adding and
controlling lights
37



VOLTAGE DROP

24VDC voltage drop
calculator
38



STATURE
Bollards
42



ALTO
Step light
42



ASCEND
Step light
44



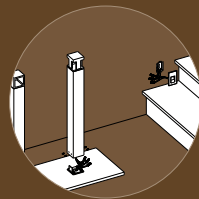
ECHO
Step light
44



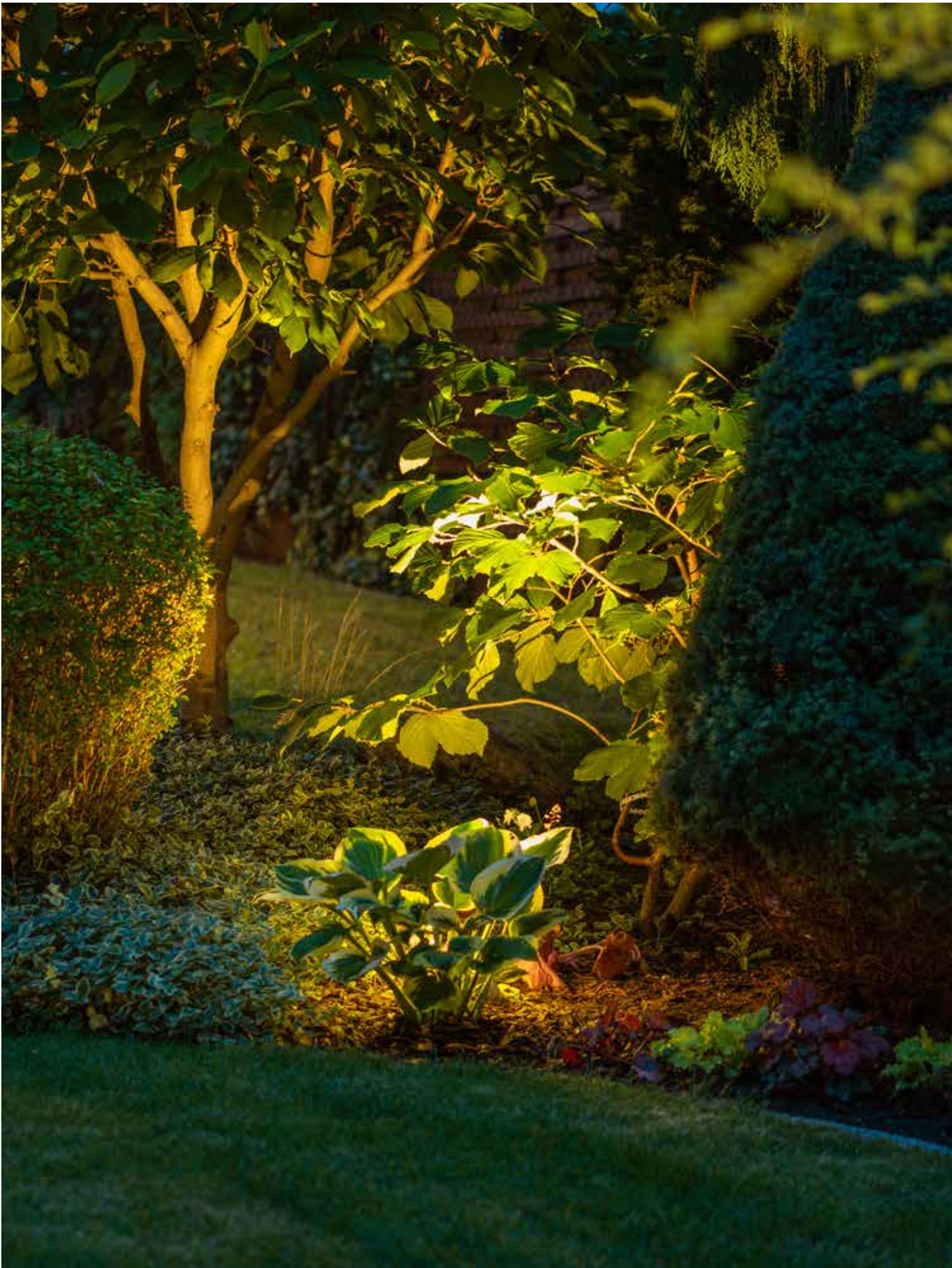
PEARL
Step light
46



CAMBER
Step light
46



INSTALLATION
Wiring diagram
example
48





12V LOW-VOLTAGE
LANDSCAPE LIGHTING



5CCT COLOR
SELECT



EASY AND SAFE
TO INSTALL



TRANSFORMERS
WITH INTEGRATED
PHOTOCELL



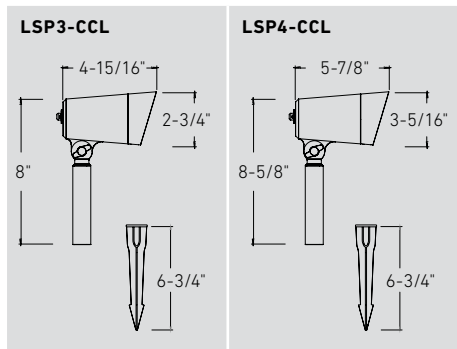
CAST ALUMINUM
CONSTRUCTION



SPOT

3" / 4" SPOT LIGHT

These landscape spots are constructed of solid aluminum and include an integrated LED module that emits a cool, natural, or warm white light in multiple beam patterns.



Model	Size	Watts	Lumens	CRI	Color °T	Voltage
LSP3-CCL	3"	10 W	500 lm	80	2200, 2700, 3000, 3500, 4000 K	12 VAC
LSP4-CCL	4"	20 W	1000 lm			

Specifications

Switch-selectable CCT: 2200K/ 2700K/ 3000K/ 3500K/ 4000K

Superior LED performance and lifespan

Interchangeable 20°, 40°, and 90° beam angles

180° swiveling head

Over 50,000 hours of service life

Cast aluminum construction

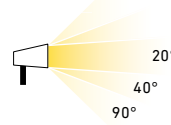
Suitable for wet locations

5-year warranty

Finish

● **BK** Black

Beam angle



Transformers

LTRP-60-BK

60W, 120VAC 60Hz input
12VAC output low-voltage transformer

LTR-300-BK

300W, 120VAC 60Hz input
12/13/14/15VAC output low-voltage transformer

(See page 17 for details)

Accessories

LAN-ACC-MS

6-3/4-inch metal ground stake

LSP-EXT04

4-inch extension arm

LSP-WM

Wall mount adapter

LCBL-50-16

50 feet, 16 gauge low-voltage wiring

LCBL-100-16

100 feet, 16 gauge low-voltage wiring

LCBL-50-14

50 feet, 14 gauge low-voltage wiring

LCBL-100-14

100 feet, 14 gauge low-voltage wiring

LCBL-100-12

100 feet, 12 gauge low-voltage wiring

LCBL-200-12

200 feet, 12 gauge low-voltage wiring

What's included

Light fixture with CCT switch

Narrow beam lens (20°)

Medium beam lens (40°)

4-inch arm

Metal ground stake

Waterproof wire nuts

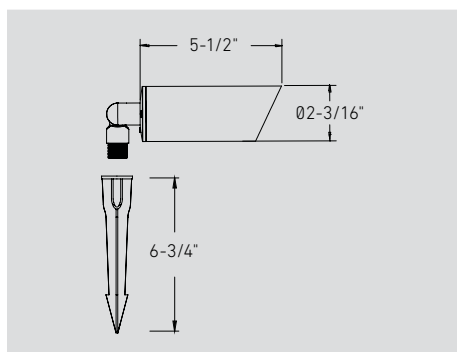
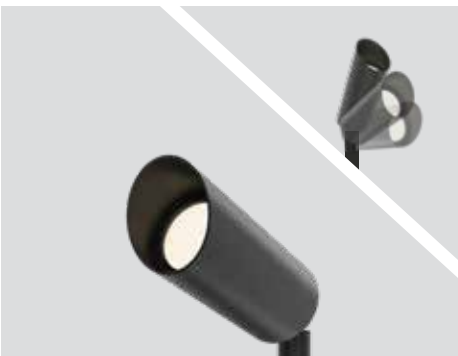
Note

Low-voltage transformer and wire required. Sold separately.

SLIM SPOT

2" NARROW-BEAM SPOT LIGHT

Illuminate your outdoor landscape with precision using this 12V spot light, featuring a narrow 10° beam angle for focused and impactful lighting.



Model	Size	Watts	Lumens	CRI	Color °T	Voltage
LSS10-CC	2"	10 W	370 lm	80	2200, 2700, 3000, 3500, 4000 K	12 VAC

Specifications

Switch-selectable CCT: 2200K/ 2700K/ 3000K/ 3500K/ 4000K

Superior LED performance and lifespan

Narrow 10° beam angle

180° swiveling head

Over 50,000 hours of service life

Cast aluminum construction

Suitable for wet locations

5-year warranty

Finish

● **BK** Black

Beam angle



Transformers

LTRP-60-BK

60W, 120VAC 60Hz input
12VAC output low-voltage transformer

LTR-300-BK

300W, 120VAC 60Hz input
12/13/14/15VAC output low-voltage transformer

(See page 17 for details)

Accessories

LAN-ACC-MS

6-3/4-inch metal ground stake

LSP-EXT04

4-inch extension arm

LSP-WM

Wall mount adapter

LCBL-50-16

50 feet, 16 gauge low-voltage wiring

LCBL-100-16

100 feet, 16 gauge low-voltage wiring

LCBL-50-14

50 feet, 14 gauge low-voltage wiring

LCBL-100-14

100 feet, 14 gauge low-voltage wiring

LCBL-100-12

100 feet, 12 gauge low-voltage wiring

LCBL-200-12

200 feet, 12 gauge low-voltage wiring

What's included

Light fixture with CCT switch

Metal ground stake

Waterproof wire nuts





SPOT

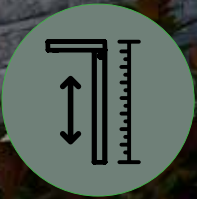


SLIM SPOT

CONTOUR



EDGE



HEIGHT ADJUSTABLE

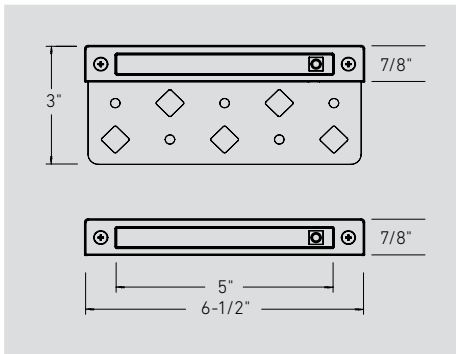
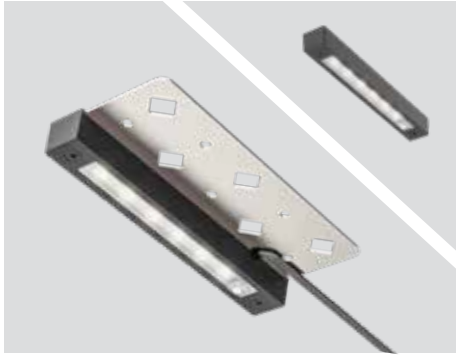
The Edge can be extended with its included arm to reach a height of 21 inches.



CONTOUR

7" LINEAR HARDSCAPE LIGHT

Contour's compact size ensures discreet integration into hardscape elements like walls, steps, and patios with its sleek, modern design.



Model	Size	Watts	Lumens	CRI	Color °T	Voltage
LHS07-CC	7"	3 W	200 lm	80	2200, 2700, 3000, 3500, 4000 K	12 VAC

Specifications

Switch-selectable CCT: 2200K/ 2700K/ 3000K/ 3500K/ 4000K

Superior LED performance and lifespan

Can be mounted to wood or concrete

Surface or recessed installation

Over 50,000 hours of service life

Cast aluminum construction

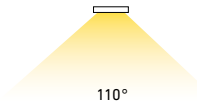
Suitable for wet locations

5-year warranty

Finish

● BK Black

Beam angle



Accessories

LCBL-50-16

50 feet, 16 gauge low-voltage wiring

LCBL-100-16

100 feet, 16 gauge low-voltage wiring

LCBL-50-14

50 feet, 14 gauge low-voltage wiring

LCBL-100-14

100 feet, 14 gauge low-voltage wiring

LCBL-100-12

100 feet, 12 gauge low-voltage wiring

LCBL-200-12

200 feet, 12 gauge low-voltage wiring

Note

Low-voltage transformer and wire required. Sold separately.

Transformers

LTRP-60-BK

60W, 120VAC 60Hz input
12VAC output low-voltage transformer

LTR-300-BK

300W, 120VAC 60Hz input
12/13/14/15VAC output low-voltage transformer

(See page 17 for details)

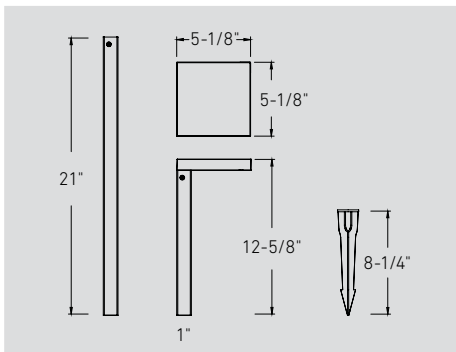
What's included

Light fixture with CCT switch
Mounting plate
Waterproof wire nuts

EDGE

12" / 21" SQUARE PATH LIGHT

An adjustable symmetrical downlight luminaire made of rust-resistant aluminum and finished in a matte textured paint.



Model	Size	Watts	Lumens	CRI	Color °T	Voltage
LSQP-CC	12" / 21"	3 W	265 lm	80	2200, 2700, 3000, 3500, 4000 K	12 VAC

Specifications

DarkSky compliant

Switch-selectable CCT: 2200K/ 2700K/ 3000K/ 3500K/ 4000K

Superior LED performance and lifespan

Adjustable height (12"/21")

12" and 21" arm included

Over 50,000 hours of service life

Cast aluminum construction

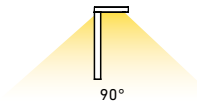
Suitable for wet locations

5-year warranty

Finish

● BK Black

Beam angle



Accessories

LAN-ACC-PS

8-1/4-inch plastic ground stake

LCBL-50-16

50 feet, 16 gauge low-voltage wiring

LCBL-100-16

100 feet, 16 gauge low-voltage wiring

LCBL-50-14

50 feet, 14 gauge low-voltage wiring

LCBL-100-14

100 feet, 14 gauge low-voltage wiring

LCBL-100-12

100 feet, 12 gauge low-voltage wiring

LCBL-200-12

200 feet, 12 gauge low-voltage wiring

Note

Low-voltage transformer and wire required. Sold separately.

Transformers

LTRP-60-BK

60W, 120VAC 60Hz input
12VAC output low-voltage transformer

LTR-300-BK

300W, 120VAC 60Hz input
12/13/14/15VAC output low-voltage transformer

(See page 17 for details)

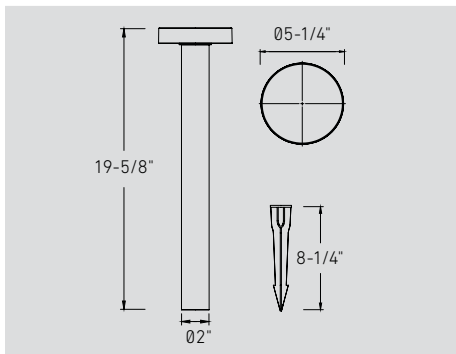
What's included

Light fixture with CCT switch
12-inch arm
21-inch arm
Plastic ground stake
Waterproof wire nuts

FLUX

20" PATH LIGHT

A 360° light spread and cast aluminum construction with a powder-coated finish works well for pathways, garden beds, and entryways.



Model	Size	Watts	Lumens	CRI	Color °T	Voltage
LPP20-CC	20"	8 W	360 lm	80	2200, 2700, 3000, 3500, 4000 K	12 VAC

Specifications

DarkSky compliant
 Switch-selectable CCT: 2200K/ 2700K/ 3000K/ 3500K/ 4000K
 Superior LED performance and lifespan
 Can be mounted to wood or concrete with the included mounting bracket
 Over 50,000 hours of service life
 Cast aluminum construction
 Suitable for wet locations
 5-year warranty

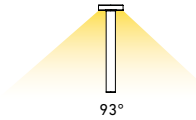
Note

Low-voltage transformer and wire required. Sold separately.

Finish

● BK Black

Beam angle



Transformers

LTRP-60-BK
 60W, 120VAC 60Hz input
 12VAC output low-voltage transformer

LTR-300-BK
 300W, 120VAC 60Hz input
 12/13/14/15VAC output low-voltage transformer

(See page 17 for details)

Accessories

- LAN-ACC-PS**
8-1/4-inch plastic ground stake
- LCBL-50-16**
50 feet, 16 gauge low-voltage wiring
- LCBL-100-16**
100 feet, 16 gauge low-voltage wiring
- LCBL-50-14**
50 feet, 14 gauge low-voltage wiring
- LCBL-100-14**
100 feet, 14 gauge low-voltage wiring
- LCBL-100-12**
100 feet, 12 gauge low-voltage wiring
- LCBL-200-12**
200 feet, 12 gauge low-voltage wiring

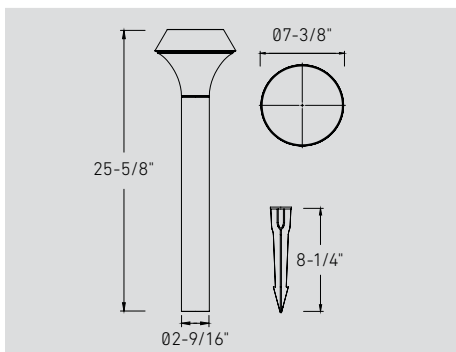
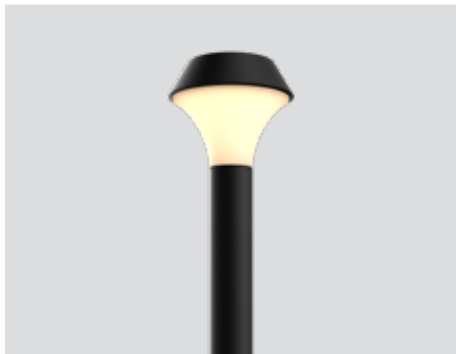
What's included

- Light fixture with CCT switch
- Plastic ground stake
- Mounting bracket
- Waterproof wire nuts

BEACON

26" PATH LIGHT

The Beacon, a minimal light that creates a big impact. Light up garden beds, walkways, or driveways with this low voltage LED fixture made of solid aluminum.



Model	Size	Watts	Lumens	CRI	Color °T	Voltage
LPL26-CC	26"	13 W	800 lm	80	2200, 2700, 3000, 3500, 4000 K	12 VAC

Specifications

Switch-selectable CCT: 2200K/ 2700K/ 3000K/ 3500K/ 4000K
 Superior LED performance and lifespan
 Can be mounted to wood or concrete with the included mounting bracket
 Over 50,000 hours of service life
 Cast aluminum construction
 Suitable for wet locations
 5-year warranty

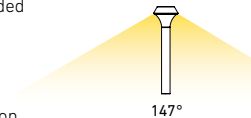
Note

Low-voltage transformer and wire required. Sold separately.

Finish

● BK Black

Beam angle



Transformers

LTRP-60-BK
 60W, 120VAC 60Hz input
 12VAC output low-voltage transformer

LTR-300-BK
 300W, 120VAC 60Hz input
 12/13/14/15VAC output low-voltage transformer

(See page 17 for details)

Accessories

- LAN-ACC-PS**
8-1/4-inch plastic ground stake
- LCBL-50-16**
50 feet, 16 gauge low-voltage wiring
- LCBL-100-16**
100 feet, 16 gauge low-voltage wiring
- LCBL-50-14**
50 feet, 14 gauge low-voltage wiring
- LCBL-100-14**
100 feet, 14 gauge low-voltage wiring
- LCBL-100-12**
100 feet, 12 gauge low-voltage wiring
- LCBL-200-12**
200 feet, 12 gauge low-voltage wiring

What's included

- Light fixture with CCT switch
- Plastic ground stake
- Mounting bracket
- Waterproof wire nuts



FLUX



BEACON



COLUMN



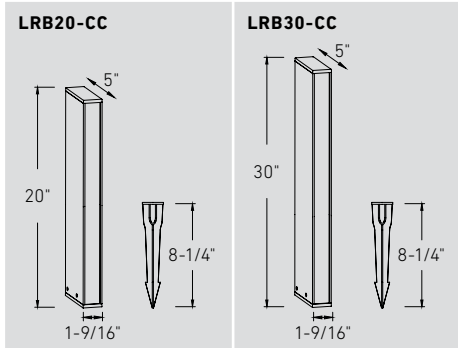
TRANSFORMERS



COLUMN

20" / 30" LANDSCAPE BOLLARDS

The Column series, a robust rectangular bollard that features a minimalist design for the ultimate in urban sophistication.



Model	Size	Watts	Lumens	CRI	Color °T	Voltage
LRB20-CC	20"	12 W	600 lm	80	2200, 2700, 3000, 3500, 4000 K	12 VAC
LRB30-CC	30"	13 W	700 lm			

Specifications

Switch-selectable CCT: 2200K/ 2700K/ 3000K/ 3500K/ 4000K

Superior LED performance and lifespan

Can be mounted to wood or concrete with the included mounting bracket

Over 50,000 hours of service life

Cast aluminum construction

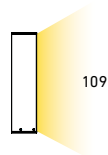
Suitable for wet locations

5-year warranty

Finish

● **BK** Black

Beam angle



Accessories

LRB-ACC-MS11

11-inch metal ground stake

LAN-ACC-PS

8-1/4-inch plastic ground stake

LCBL-50-16

50 feet, 16 gauge low-voltage wiring

LCBL-100-16

100 feet, 16 gauge low-voltage wiring

LCBL-50-14

50 feet, 14 gauge low-voltage wiring

LCBL-100-14

100 feet, 14 gauge low-voltage wiring

LCBL-100-12

100 feet, 12 gauge low-voltage wiring

LCBL-200-12

200 feet, 12 gauge low-voltage wiring

What's included

Light fixture with CCT switch

Plastic ground stake

Mounting bracket

Waterproof wire nuts

Note

Low-voltage transformer and wire required. Sold separately.

Transformers

LTRP-60-BK

60W, 120VAC 60Hz input
12VAC output low-voltage transformer

LTR-300-BK

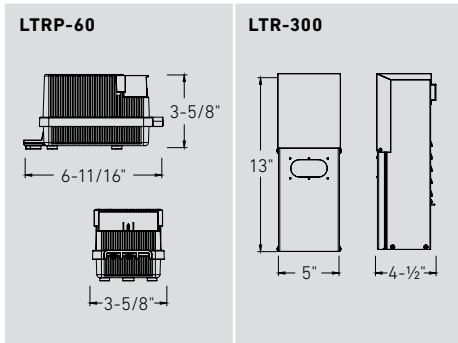
300W, 120VAC 60Hz input
12/13/14/15VAC output low-voltage transformer

(See details below)

TRANSFORMERS

60W / 300W TRANSFORMERS

Outdoor low-voltage transformers with timer and photocell sensor, 120 VAC to 12V / 13V / 14V / 15V AC, weatherproof.



Model	Input	Output	Output power
LTRP-60	120 VAC / 60Hz	12 VAC	60 W
LTR-300	120 VAC / 60Hz	12 / 13 / 14 / 15 VAC	300 W

Specifications

Constant voltage mode power supply

Protection: short circuit / over voltage

Maximum load: 80%

Operating temperature: -30°C to 45°C

Automatic dusk-to-dawn operation

Programmable photocell sensor (60W: 2-8 hrs, 300W: 1-9 hrs)

Suitable for wet locations

5-year warranty

Finish

















● **BK** Black

Note

For more on wiring lengths, see Voltage Drop charts, beginning on page 20.

What's included

Low-voltage transformer

Model	Image	Finish	Specification
<p>LAN-ACC-MS</p>  <p>WET</p>		Black	<ul style="list-style-type: none"> • 6-3/4 in. metal replacement stake for spotlights
<p>LAN-ACC-PS</p>  <p>WET</p>		Black	<ul style="list-style-type: none"> • 7-1/4 in. plastic replacement stake for path lights and bollards
<p>LCBL-50-16 LCBL-100-16 LCBL-50-14 LCBL-100-14 LCBL-100-12 LCBL-200-12</p>  <p>WET</p>		Black	<ul style="list-style-type: none"> • 16, 14, and 12 gauge low-voltage wire in 50, 100, and 200 ft. lengths.
<p>LSP-EXT04</p>  <p>WET</p>		Black	<ul style="list-style-type: none"> • 4 in. extension arm
<p>LSP-WM</p>  <p>WET</p>		Black	<ul style="list-style-type: none"> • Spotlight wall mount adapter
<p>LSP3-ACCLN LSP4-ACCLN</p>  <p>WET</p>		Clear	<ul style="list-style-type: none"> • 20° and 40° interchangeable lenses for LSP3-CC and LSP4-CC spot lights
<p>LSQP-ACC-PS</p>  <p>WET</p>		Black	<ul style="list-style-type: none"> • 7-1/4 in. plastic replacement stake for LSQP-CC path light
<p>LRB-ACC-MS11</p>  <p>WET</p>		Black	<ul style="list-style-type: none"> • 11 in. metal replacement stake for LRB-CC path lights



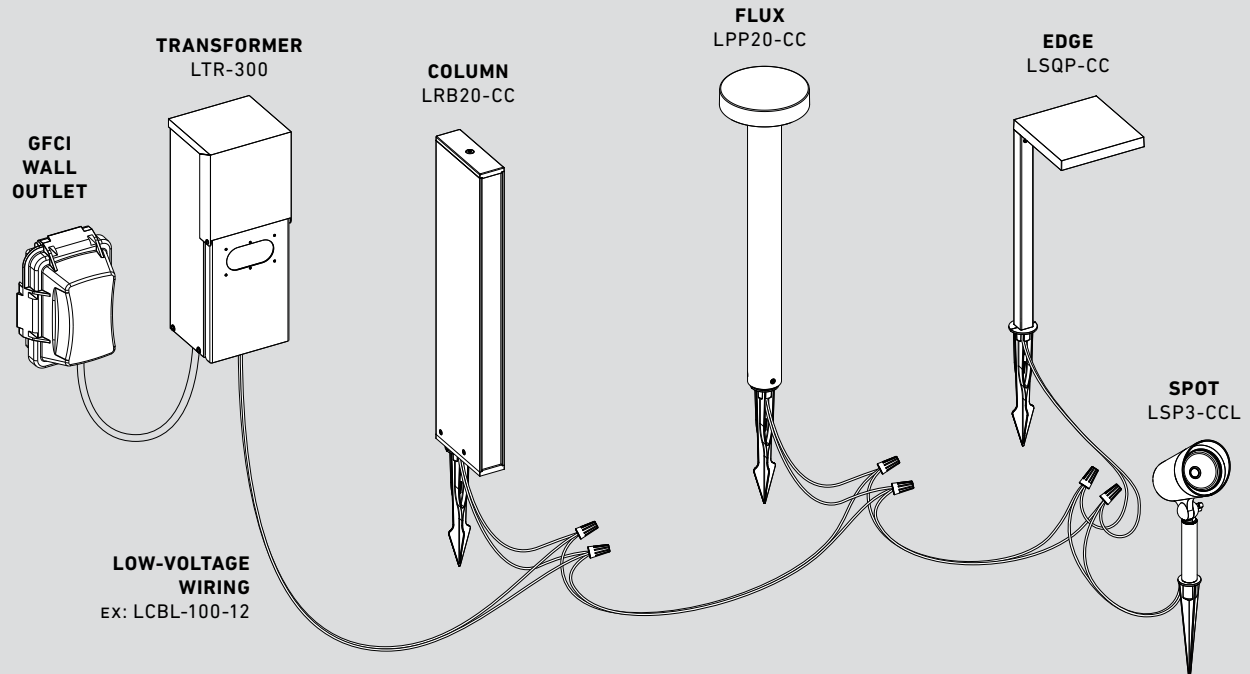
LANDSCAPE LIGHTING - SAMPLE 12VAC WIRING DIAGRAM



Simple! All you need is a low-voltage transformer, the fixtures of your choice, and some landscape wire. That's it!



Safe! Low-voltage lighting installations are significantly safer than 120V lighting systems due to their reduced risk of electric shock and fire hazards.



DID YOU KNOW?

1

Spacing outdoor 12V low-voltage lighting fixtures an average of 6 to 10 feet apart ensures even lighting coverage and optimal brightness.

2

On average, the typical recommended number of fixtures on one run of wire is around 8 to 10 fixtures to effectively mitigate voltage drop issues.

3

Different wire gauges affect voltage drop; smaller gauges may result in dimmer lights, while larger gauges offer brighter illumination. For numerous larger fixtures per wire run, consider using a smaller gauge.



Have questions or need help with your installation?

We're here to assist you. For guidance with connections or installation inquiries, please contact DAL'S tech support at:

1-877-430-1818



Warning! Be sure to call your utility company before you dig anywhere on your property. Most companies provide a free service that marks the locations of all underground utilities.

VOLTAGE DROP - 60W TRANSFORMER - 12V OUTPUT

DISTANCE IN FEET																										
TOTAL WATTS		10	20	30	40	50	60	70	80	90	100	110	120	130	140	150	160	170	180	190	200	210	220	230	240	
	10	16	16	16	16	16	16	16	16	16	16	16	16	16	16	16	16	16	16	16	16	16	14	14	14	14
	20	16	16	16	16	16	16	16	16	16	16	16	16	16	16	14	14	14	14	14	14	14	12	12	12	12
	30	16	16	16	16	16	16	16	16	16	14	14	14	14	14	12	12	12	12	12	12	12	12	12	12	12
	40	16	16	16	16	16	16	14	14	14	14	12	12	12	12	12	12	12	12	12	12	12				
	50	16	16	16	16	16	14	14	14	14	12	12	12	12	12	12	12									
	60	16	16	16	16	14	14	12	12	12	12	12	12	12												

VOLTAGE DROP - 300W TRANSFORMER - 12V OUTPUT

TOTAL WATTS																										
DISTANCE IN FEET		10	20	30	40	50	60	70	80	90	100	110	120	130	140	150	160	170	180	190	200	210	220	230	240	
	10	16	16	16	16	16	16	16	16	16	14	14	14	14	14	14	14	14	14	14	14	12	12	12	12	12
	20	16	16	16	16	16	16	16	16	16	14	14	14	14	14	14	14	14	14	14	14	12	12	12	12	12
	30	16	16	16	16	16	16	16	14	14	14	14	14	14	14	12	12	12	12	12	12	12	12	12	12	12
	40	16	16	16	16	16	16	14	14	14	12	12	12	12	12	12	12	12								
	50	16	16	16	16	14	14	14	14	14	12	12	12	12	12	12										
	60	16	16	16	16	14	14	12	12	12	12	12	12	12	12											
	70	16	16	16	14	14	12	12	12	12	12	12	12	12												
	80	16	16	16	14	14	12	12	12	12	12	12	12													
	90	16	16	14	14	12	12	12	12	12																
	100	16	16	14	14	12	12	12	12																	
	110	16	16	14	12	12	12	12																		
	120	16	16	14	12	12	12	12																		
	130	16	16	14	12	12	12																			
	140	16	14	12	12	12																				
	150	16	14	12	12	12																				
	160	16	14	12	12	12																				
	170	16	14	12	12																					
	180	16	14	12	12																					
	190	16	14	12	12																					
	200	16	14	12	12																					

VOLTAGE DROP - 300W TRANSFORMER - 13V OUTPUT

TOTAL WATTS																										
DISTANCE IN FEET		10	20	30	40	50	60	70	80	90	100	110	120	130	140	150	160	170	180	190	200	210	220	230	240	
	10	16	16	16	16	16	16	16	16	16	16	16	14	14	14	14	14	14	14	14	14	14	12	12	12	12
	20	16	16	16	16	16	16	16	16	16	16	16	14	14	14	14	14	14	14	14	14	14	12	12	12	12
	30	16	16	16	16	16	16	16	16	16	16	16	14	14	14	14	14	14	14	14	14	14	12	12	12	12
	40	16	16	16	16	16	16	16	16	16	14	14	14	14	14	14	14	12	12	12	12	12				
	50	16	16	16	16	16	16	16	16	14	14	14	14	14	14	12	12	12	12							
	60	16	16	16	16	16	16	14	14	14	14	14	14	14	12	12	12									
	70	16	16	16	16	16	14	14	14	14	14	14	12	12	12											
	80	16	16	16	16	16	14	14	14	14	12	12	12													
	90	16	16	16	16	14	14	14	14	12	12	12	12													
	100	16	16	16	16	14	14	14	12	12	12															
	110	16	16	16	14	14	14	12	12	12																
	120	16	16	16	14	14	14	12	12	12																
	130	16	16	16	14	14	12	12																		
	140	16	16	14	14	14	12	12																		
	150	16	16	14	14	12	12																			
	160	16	16	14	14	12	12																			
	170	16	16	14	12	12	12																			
	180	16	14	14	12	12																				
	190	16	14	14	12	12																				
	200	16	14	14	12	12																				



VOLTAGE DROP - 300W TRANSFORMER - 14V OUTPUT

TOTAL WATTS																										
DISTANCE IN FEET		10	20	30	40	50	60	70	80	90	100	110	120	130	140	150	160	170	180	190	200	210	220	230	240	
	10	16	16	16	16	16	16	16	16	16	16	14	14	14	14	14	14	14	14	14	14	14	14	12	12	
	20	16	16	16	16	16	16	16	16	16	16	14	14	14	14	14	14	14	14	14	14	14	14	14	12	12
	30	16	16	16	16	16	16	16	16	16	16	14	14	14	14	14	14	14	14	14	14	14	14	14	12	12
	40	16	16	16	16	16	16	16	16	14	14	14	14	14	14	14	14	14	14	12	12	12	12	12		
	50	16	16	16	16	16	16	16	16	14	14	14	14	14	14	14	12	12	12	12	12					
	60	16	16	16	16	16	16	16	14	14	14	14	14	14	14	12	12	12	12							
	70	16	16	16	16	16	16	14	14	14	14	14	14	14	12	12	12									
	80	16	16	16	16	16	14	14	14	14	14	14	14	12	12	12	12									
	90	16	16	16	16	14	14	14	14	14	14	12	12	12												
	100	16	16	16	16	14	14	14	14	14	12	12	12													
	110	16	16	16	16	14	14	14	14	12	12	12														
	120	16	16	16	16	14	14	14	12	12	12	12														
	130	16	16	16	14	14	14	14	12	12																
	140	16	16	16	14	14	14	12	12																	
	150	16	16	14	14	14	14	12																		
	160	16	16	14	14	14	14	12																		
	170	16	16	14	14	14	12	12																		
	180	16	16	14	14	14	12	12																		
	190	16	16	14	14	14	12	12																		
	200	16	14	14	14	14	12																			

VOLTAGE DROP - 300W TRANSFORMER - 15V OUTPUT

TOTAL WATTS																										
DISTANCE IN FEET		10	20	30	40	50	60	70	80	90	100	110	120	130	140	150	160	170	180	190	200	210	220	230	240	
	10	16	16	16	16	16	16	16	16	16	16	14	14	14	14	14	14	14	14	14	14	14	14	14	12	12
	20	16	16	16	16	16	16	16	16	16	16	14	14	14	14	14	14	14	14	14	14	14	14	14	14	12
	30	16	16	16	16	16	16	16	16	16	16	14	14	14	14	14	14	14	14	14	14	14	14	14	14	12
	40	16	16	16	16	16	16	16	16	16	16	14	14	14	14	14	14	14	14	12	12	12	12	12	12	12
	50	16	16	16	16	16	16	16	16	14	14	14	14	14	14	14	14	14	14	12	12	12	12	12		
	60	16	16	16	16	16	16	16	16	14	14	14	14	14	14	12	12	12	12	12						
	70	16	16	16	16	16	16	16	14	14	14	14	14	14	12	12	12	12								
	80	16	16	16	16	16	16	14	14	14	14	14	12	12	12	12										
	90	16	16	16	16	16	14	14	14	14	14	12	12	12												
	100	16	16	16	16	16	14	14	14	14	12	12	12													
	110	16	16	16	16	14	14	14	14	12	12	12														
	120	16	16	16	16	14	14	14	14	12	12	12														
	130	16	16	16	16	14	14	14	12	12	12															
	140	16	16	16	14	14	14	12	12	12																
	150	16	16	16	14	14	14	12	12	12	12															
	160	16	16	16	14	14	14	12	12																	
	170	16	16	16	14	14	14	12	12																	
	180	16	16	14	14	14	12	12	12																	
	190	16	16	14	14	14	12	12																		
	200	16	16	14	14	14	12	12																		

LOW-VOLTAGE WIRING GAUGES

- 16

LCBL-50-16
50 feet, 16 gauge low-voltage wiring
- 14

LCBL-50-14
50 feet, 14 gauge low-voltage wiring
- 12

LCBL-100-12
100 feet, 12 gauge low-voltage wiring
- LCBL-100-16**
100 feet, 16 gauge low-voltage wiring
- LCBL-100-14**
100 feet, 14 gauge low-voltage wiring
- LCBL-200-12**
200 feet, 12 gauge low-voltage wiring



* Core transformer needed

24V SMART LANDSCAPE LIGHTING



CHANGE COLORS AND TUNE WHITES



EASY AND SAFE TO INSTALL



TRANSFORMERS WITH INTEGRATED PHOTOCELL



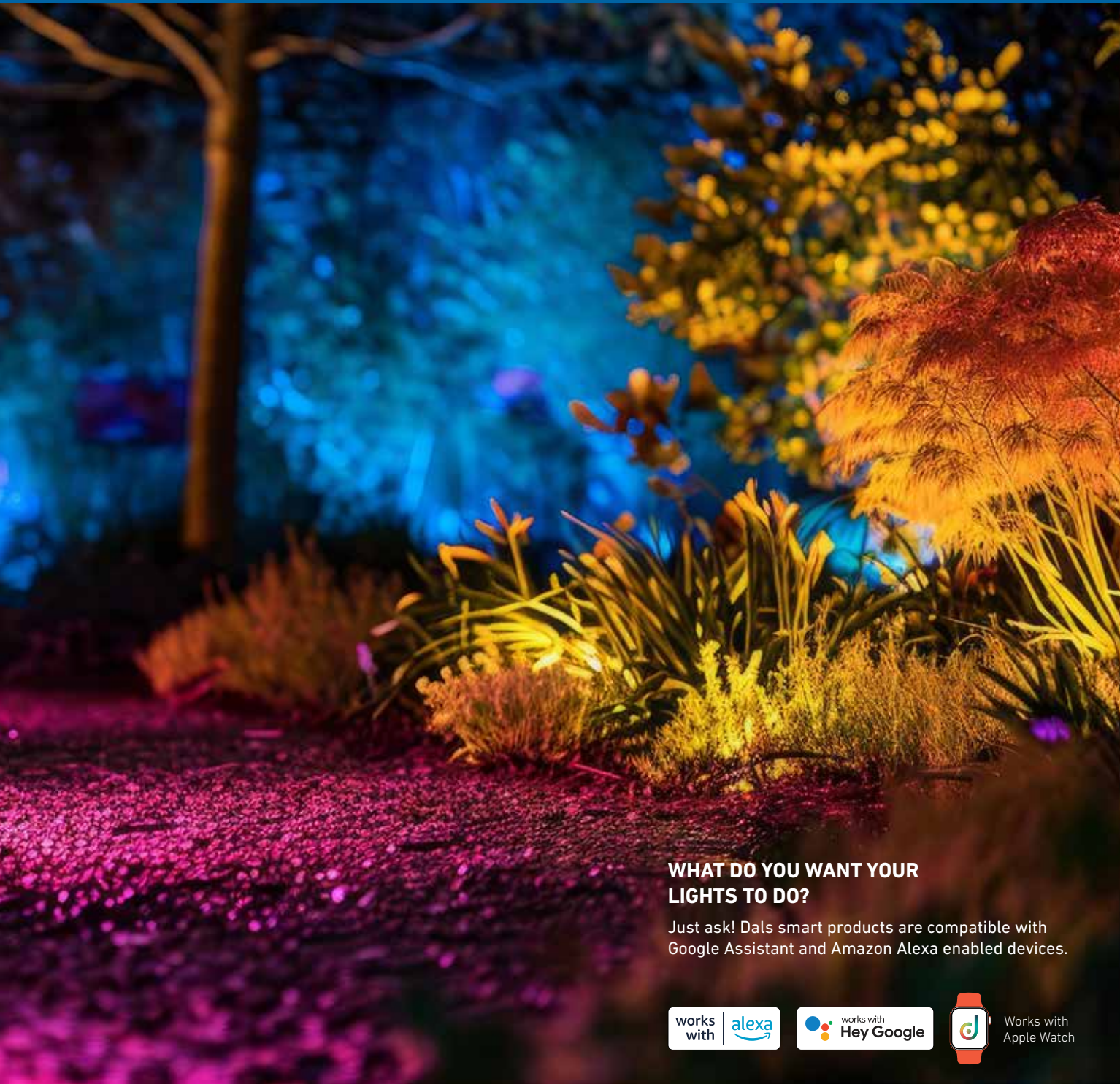
BLUETOOTH MESH



CUSTOMIZABLE SCHEDULES

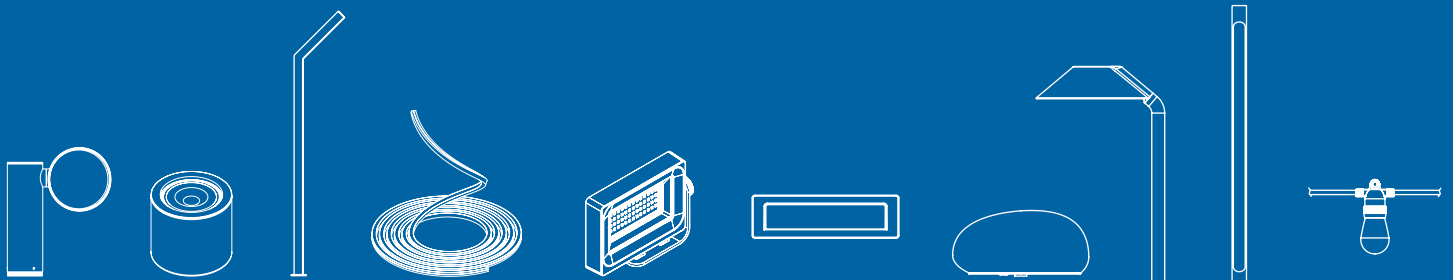
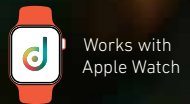
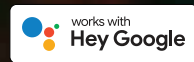


ACCESS FROM ANYWHERE*



WHAT DO YOU WANT YOUR LIGHTS TO DO?

Just ask! Dals smart products are compatible with Google Assistant and Amazon Alexa enabled devices.





STACK 'EM!

Up to three Orbit smart fixtures can be combined together.



SINK 'EM!

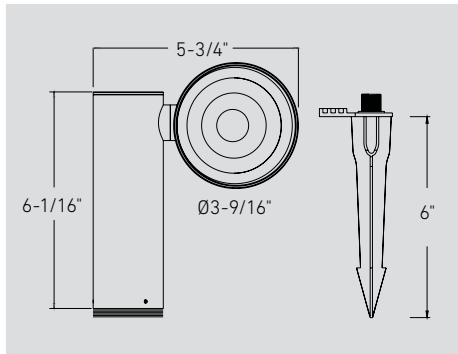
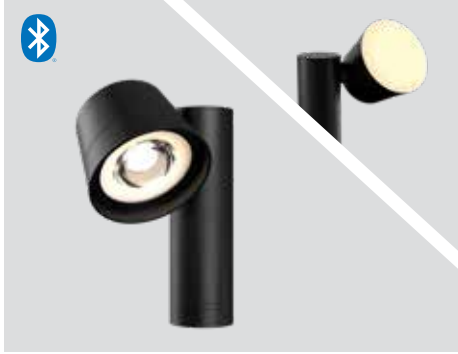
Effortlessly transition to a recessed position for a more streamlined appearance.



ORBIT

6" SMART SPOT LIGHT

A swiveling, low profile light designed to brighten a number of exterior applications. Add a second or third fixture together and create a multi-head luminaire.



Model	Size	Watts	Lumens	CRI	Color °T	Voltage
-------	------	-------	--------	-----	----------	---------

DCP-SPT6	6"	10 W	540 lm	80	RGB + 2200 K - 4000 K	24 VDC
-----------------	----	------	--------	----	-----------------------	--------

Specifications

Full color spectrum
2200K - 4000K in pure whites
Up to 3 lights can be stacked together
Tiltable head
Select either a 40° or 120° beam angle using the provided frosted lens
Bluetooth mesh technology
Dimmable through the Dals Connect app or with the smart remote. (sold separately)
Over 50,000 hours of service life
Suitable for wet locations
5-year warranty

Finish

● BK Black

Note

Low-voltage transformer required. Sold separately.

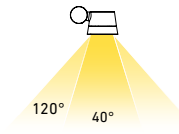
Smart Transformers

DCP-TR60
60W, 120VAC 60Hz input
24VDC output low-voltage transformer

DCP-TR200
200W, 120VAC 60Hz input
24VDC output low-voltage transformer

DCP-TR300
300W, 120VAC 60Hz input
24VDC output low-voltage transformer
(See page 34 for details)

Beam angle



Accessories

DCP-RMCT
Smart remote

DCP-PTR36
36W plug-in transformer

DCP-ACC-MS12
12-inch metal ground stake

DCP-ACC-MS06
6-inch metal ground stake

DCP-ACC-MB
Mounting bracket

DCP-EXT6FT
6-foot extension cable

DCP-EXT20FT
20-foot extension cable

DCP-EXT-T
6-inch T-connector

DCP-SPTEXT14
14-inch extension tube

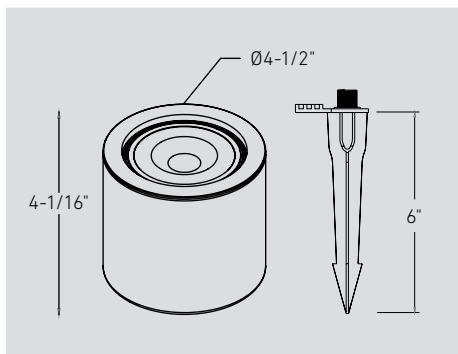
What's included

Light fixture
6-inch metal ground stake
6-inch T-connector
6-foot extension cable
120° frosted lens

GRAVITY

4" SMART SURFACE / RECESSED LIGHT

Recessed in-ground installation or surface mounted accent light.



Model	Size	Watts	Lumens	CRI	Color °T	Voltage
-------	------	-------	--------	-----	----------	---------

DCP-GRD4	4"	10 W	515 lm	80	RGB + 2200 K - 4000 K	24 VDC
-----------------	----	------	--------	----	-----------------------	--------

Specifications

Full color spectrum
2200K - 4000K in pure whites
Can be recessed or surface mounted
Bluetooth mesh technology
Dimmable through the Dals Connect app or with the smart remote. (sold separately)
Over 50,000 hours of service life
Suitable for wet locations
5-year warranty

Finish

● BK Black

Note

Low-voltage transformer required. Sold separately.

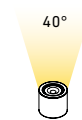
Smart Transformers

DCP-TR60
60W, 120VAC 60Hz input
24VDC output low-voltage transformer

DCP-TR200
200W, 120VAC 60Hz input
24VDC output low-voltage transformer

DCP-TR300
300W, 120VAC 60Hz input
24VDC output low-voltage transformer
(See page 34 for details)

Beam angle



Accessories

DCP-RMCT
Smart remote

DCP-PTR36
36W plug-in transformer

DCP-ACC-MS12
12-inch metal ground stake

DCP-ACC-MS06
6-inch metal ground stake

DCP-ACC-MB
Mounting bracket

DCP-EXT6FT
6-foot extension cable

DCP-EXT20FT
20-foot extension cable

DCP-EXT-T
6-inch T-connector

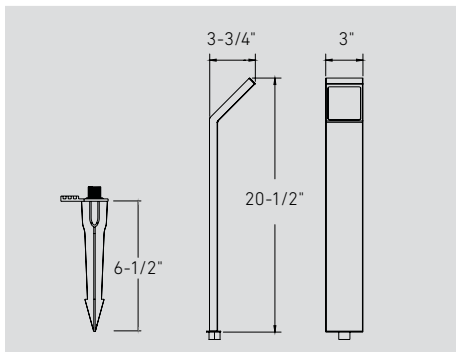
What's included

Light fixture
6-inch metal ground stake
6-inch T-connector
6-foot extension cable

ACUTE

20" SMART PATH LIGHT

This modern classic's 45-degree angled head offers calming downward lighting, casting unique highlights in gardens and effortlessly illuminating pathways.



Model	Size	Watts	Lumens	CRI	Color °T	Voltage
DCP-45HP20	20"	7 W	600 lm	80	RGB + 2200 K - 4000 K	24 VDC

Specifications

Full color spectrum
2200K - 4000K in pure whites
Slim fixture with a 45° head to project the right amount of light onto your path
Bluetooth mesh technology
Dimmable through the Dals Connect app or with the smart remote. (sold separately)
Over 50,000 hours of service life
Suitable for wet locations
5-year warranty

Smart Transformers

DCP-TR60
60W, 120VAC 60Hz input
24VDC output low-voltage transformer

DCP-TR200
200W, 120VAC 60Hz input
24VDC output low-voltage transformer

DCP-TR300
300W, 120VAC 60Hz input
24VDC output low-voltage transformer
(See page 34 for details)

Accessories

DCP-RMCT
Smart remote

DCP-PTR36
36W plug-in transformer

DCP-ACC-MS12
12-inch metal ground stake

DCP-ACC-MS06
6-inch metal ground stake

DCP-EXT6FT
6-foot extension cable

DCP-EXT20FT
20-foot extension cable

DCP-EXT-T
6-inch T-connector

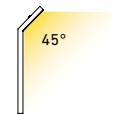
Finish

● **BK** Black

Note

Low-voltage transformer required. Sold separately.

Beam angle



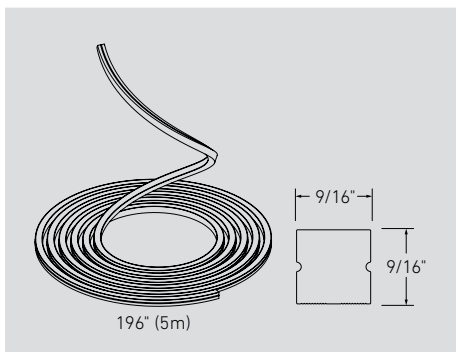
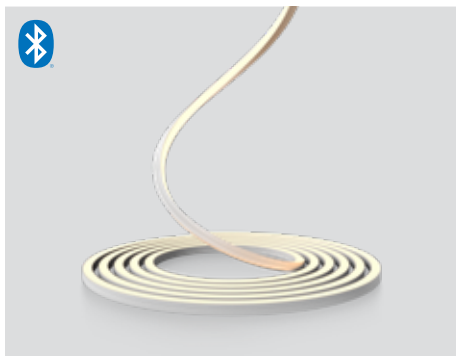
What's included

Light fixture
6-inch metal ground stake
6-inch T-connector
6-foot extension cable

FLEX

196" (5m) SMART NEON TAPE

Transform any space effortlessly with our 5-meter smart neon tape light, blending vibrant colors and dynamic lighting effects to match your mood and style.



Model	Size	Watts	Lumens	CRI	Color °T	Voltage
DCP-NFTAP5M	196" (5m)	36 W	1000 lm	80	RGB + 2200 K - 4000 K	24 VDC

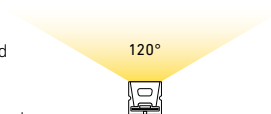
Specifications

Full color spectrum
2200K - 4000K in pure whites
Flexible/bendable laterally only
Can be cut every 2-1/2 inches (Cannot be reconnected)
36W plug-in transformer included
Bluetooth mesh technology
Dimmable through the Dals Connect app or with the smart remote. (sold separately)
Over 50,000 hours of service life
Suitable for wet locations
5-year warranty

Finish

○ **WH** White

Beam angle



Accessories

DCP-RMCT
Smart remote

DCP-ACC-NFCH
1-meter U-channel extrusion for straight line assembly

What's included

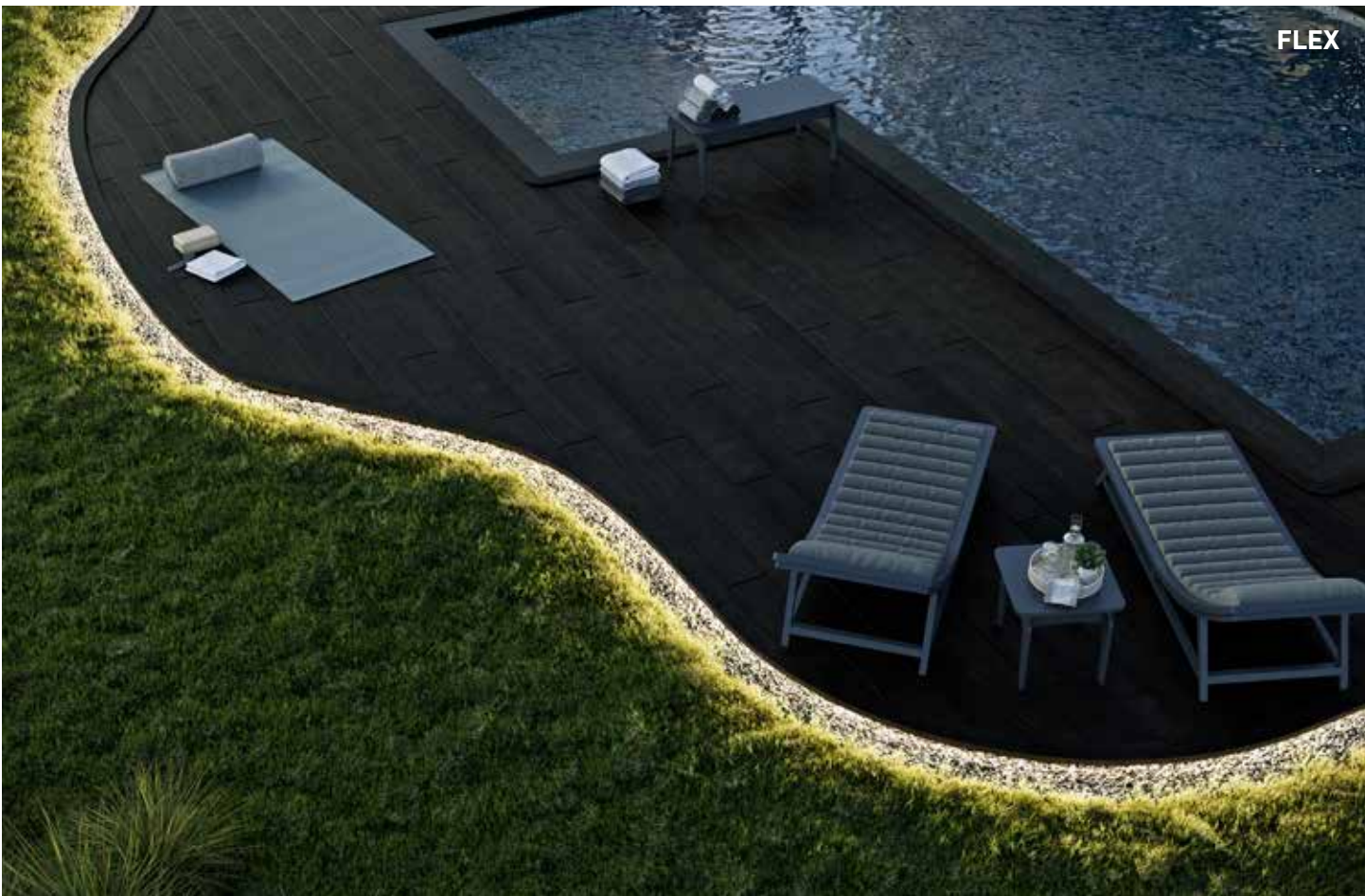
LED neon tape light
36W plug-in transformer



ACUTE



FLEX



HORIZON



UP HIGH

Position lights high: in trees or on roofs. Light will shine down, casting brilliant shadows.

MASON



EFFORTLESS

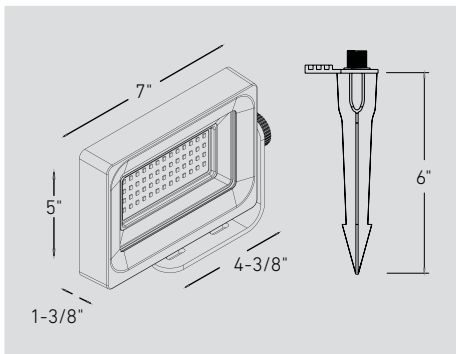
Due to its low voltage and surface-mounted design, the Brick does not require a junction box. Simply place, connect, and turn it on!



HORIZON

7" SMART FLOOD LIGHT

Incredibly bright with a 120° degree beam angle and a swivel head.



Model	Size	Watts	Lumens	CRI	Color °T	Voltage
DCP-FLD30	7"	30 W	3000 lm	80	RGB + 2200 K - 4000 K	24 VDC

Specifications

Full color spectrum
2200K - 4000K in pure whites
Can be wall mounted
Powerful and immersive light output
Pivoting head can be aimed in all directions
Bluetooth mesh technology
Dimmable through the Dals Connect app or with the smart remote. (sold separately)
Over 50,000 hours of service life
Suitable for wet locations
5-year warranty

Finish

● BK Black

Note

Low-voltage transformer required. Sold separately.

Smart Transformers

DCP-TR60
60W, 120VAC 60Hz input
24VDC output low-voltage transformer

DCP-TR200
200W, 120VAC 60Hz input
24VDC output low-voltage transformer

DCP-TR300
300W, 120VAC 60Hz input
24VDC output low-voltage transformer
(See page 34 for details)

Beam angle



Accessories

DCP-RMCT
Smart remote

DCP-PTR36
36W plug-in transformer

DCP-ACC-MS12
12-inch metal ground stake

DCP-ACC-MS06
6-inch metal ground stake

DCP-ACC-MB
Mounting bracket

DCP-EXT6FT
6-foot extension cable

DCP-EXT20FT
20-foot extension cable

DCP-EXT-T
6-inch T-connector

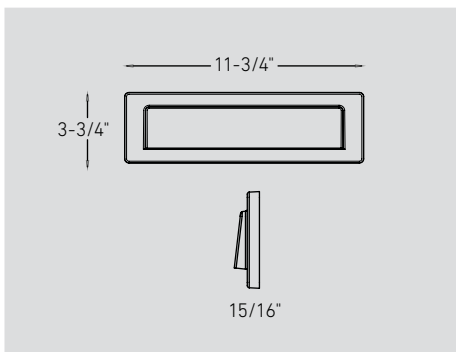
What's included

Light fixture
6-inch metal ground stake
6-inch T-connector
6-foot extension cable

MASON

12" SMART BRICK / STEP LIGHT

With its minimalistic form, simple casing and subtle appearance, Mason fits seamlessly into the architecture of any home.



Model	Size	Watts	Lumens	CRI	Color °T	Voltage
DCP-BRK12	12"	8 W	200 lm	80	RGB + 2200 K - 4000 K	24 VDC

Specifications

DarkSky compliant
Full color spectrum
2200K - 4000K in pure whites
Bluetooth mesh technology
Dimmable through the Dals Connect app or with the smart remote. (sold separately)
Over 50,000 hours of service life
Suitable for wet locations
5-year warranty

Finish

● BK Black

Note

Low-voltage transformer required. Sold separately.

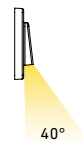
Smart Transformers

DCP-TR60
60W, 120VAC 60Hz input
24VDC output low-voltage transformer

DCP-TR200
200W, 120VAC 60Hz input
24VDC output low-voltage transformer

DCP-TR300
300W, 120VAC 60Hz input
24VDC output low-voltage transformer
(See page 34 for details)

Beam angle



Accessories

DCP-RMCT
Smart remote

DCP-PTR36
36W plug-in transformer

DCP-EXT6FT
6-foot extension cable

DCP-EXT20FT
20-foot extension cable

DCP-EXT-T
6-inch T-connector

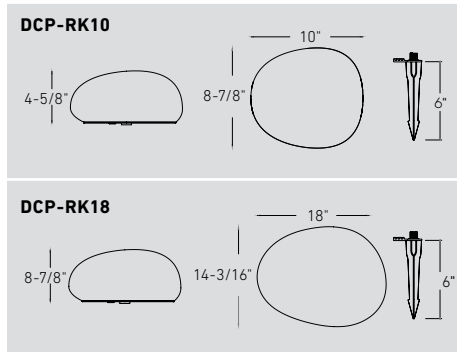
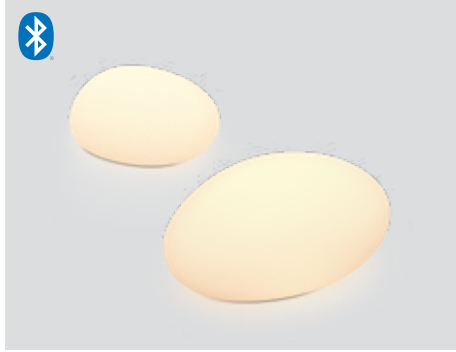
What's included

Light fixture
6-inch T-connector
6-foot extension cable
Mounting bracket

KAYU

10" / 18" SMART ROCK LIGHT

Sprinkle your landscape with subtle touches of light. The Kayu series, a harmonious and organic fixture easily creates a welcoming atmosphere.



Model	Size	Watts	Lumens	CRI	Color °T	Voltage
DCP-RK10	10"	5 W	400 lm	80	RGB + 2200 K - 4000 K	24 VDC
DCP-RK18	18"	7 W	600 lm			

Specifications

Full color spectrum
2200K - 4000K in pure whites
Bluetooth mesh technology
Dimmable through the Dals Connect app or with the smart remote. (sold separately)
Over 50,000 hours of service life
Suitable for wet locations
5-year warranty

Finish

○ WH White

Note

Low-voltage transformer required. Sold separately.

Smart Transformers

DCP-TR60
60W, 120VAC 60Hz input
24VDC output low-voltage transformer

DCP-TR200
200W, 120VAC 60Hz input
24VDC output low-voltage transformer

DCP-TR300
300W, 120VAC 60Hz input
24VDC output low-voltage transformer
(See page 34 for details)

Accessories

DCP-RMCT
Smart remote

DCP-PTR36
36W plug-in transformer

DCP-ACC-MS12
12-inch metal ground stake

DCP-ACC-MS06
6-inch metal ground stake

DCP-EXT6FT
6-foot extension cable

DCP-EXT20FT
20-foot extension cable

DCP-EXT-T
6-inch T-connector

Beam angle

270°



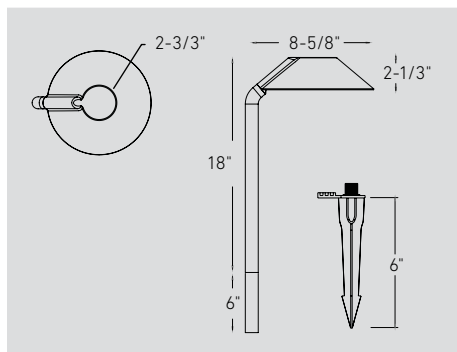
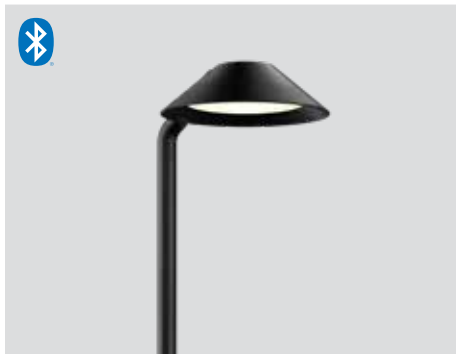
What's included

Light fixture
6-inch metal ground stake
6-inch T-connector
6-foot extension cable

GAÏA

18" / 24" SMART CONICAL PATH LIGHT

The main quality of this modern classic is providing downward, wide-area lighting that is both calming and practical.



Model	Size	Watts	Lumens	CRI	Color °T	Voltage
DCP-CPL24	18" / 24"	6 W	470 lm	80	RGB + 2200 K - 4000 K	24 VDC

Specifications

DarkSky compliant
Full color spectrum
2200K - 4000K in pure whites
Can be surface mounted
Bluetooth mesh technology
Adjustable height (18"/24")
Dimmable through the Dals Connect app or with the smart remote. (sold separately)
Over 50,000 hours of service life
Suitable for wet locations
5-year warranty

Finish

● BK Black

Note

Low-voltage transformer required. Sold separately.

Smart Transformers

DCP-TR60
60W, 120VAC 60Hz input
24VDC output low-voltage transformer

DCP-TR200
200W, 120VAC 60Hz input
24VDC output low-voltage transformer

DCP-TR300
300W, 120VAC 60Hz input
24VDC output low-voltage transformer
(See page 34 for details)

Accessories

DCP-RMCT
Smart remote

DCP-PTR36
36W plug-in transformer

DCP-ACC-MS12
12-inch metal ground stake

DCP-ACC-MS06
6-inch metal ground stake

DCP-ACC-MB
Mounting bracket

DCP-EXT6FT
6-foot extension cable

DCP-EXT20FT
20-foot extension cable

DCP-EXT-T
6-inch T-connector

Beam angle

120°



What's included

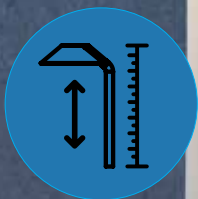
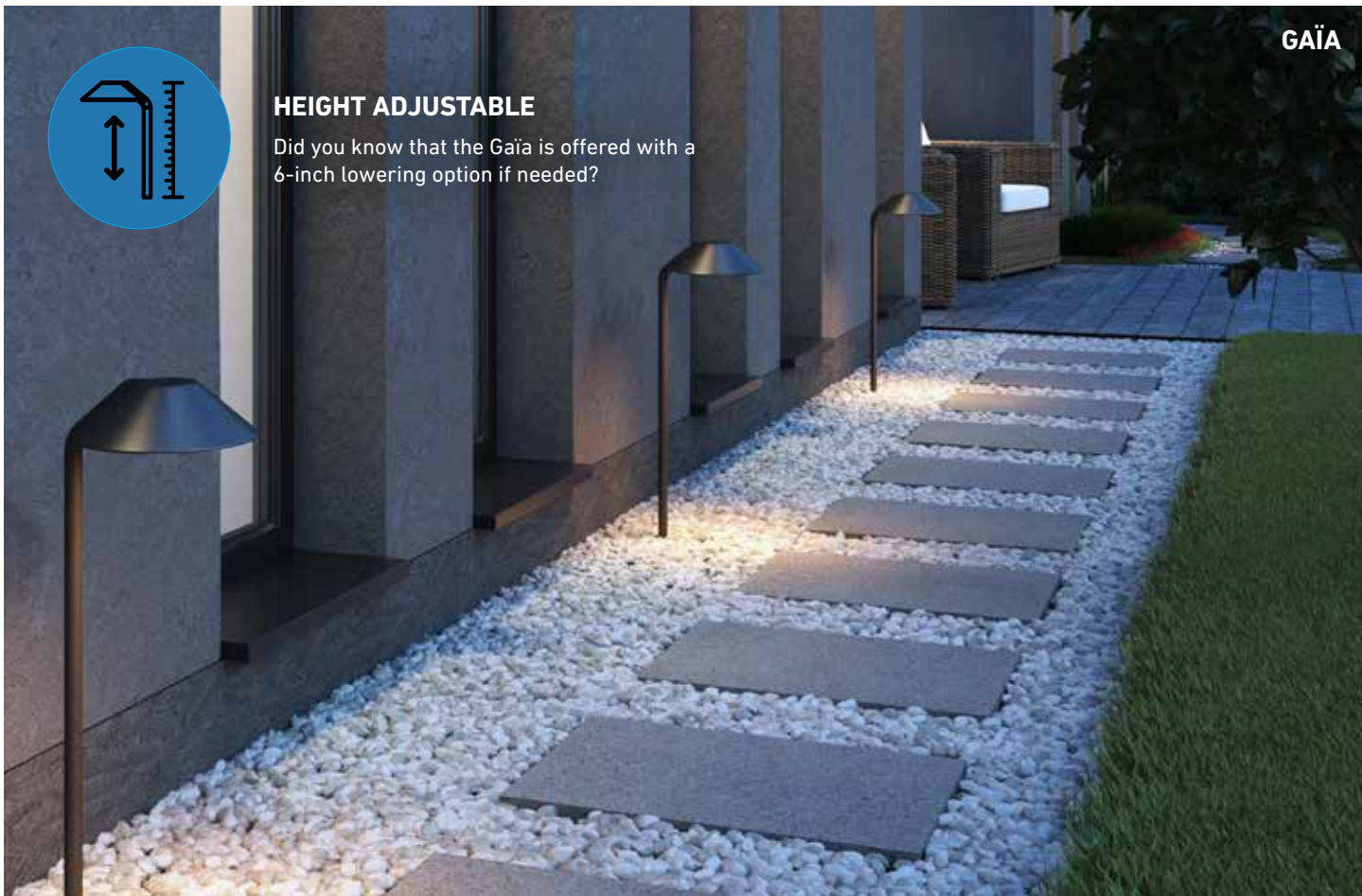
Light fixture
6-inch metal ground stake
6-inch extension arm
6-inch T-connector
6-foot extension cable





SECURED

The included metal ground stake ensures that the fixture stays in place.



HEIGHT ADJUSTABLE

Did you know that the Gaia is offered with a 6-inch lowering option if needed?

AXIS



ORION



DID YOU KNOW?

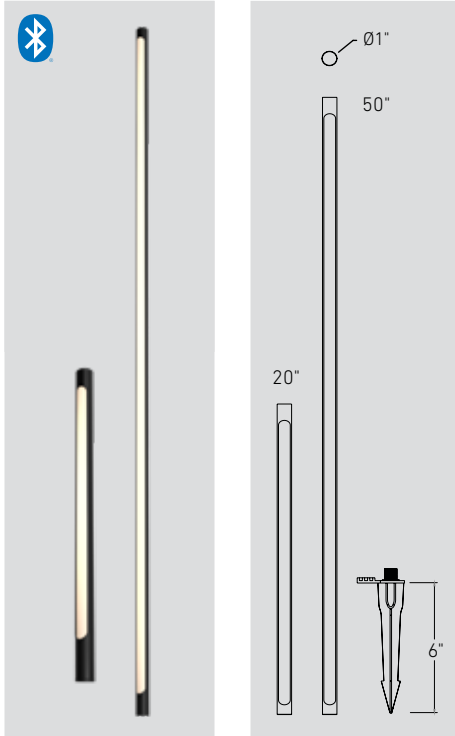
Did you know that you can connect two string lights to the same 24W plug-in transformer?



AXIS

20" / 50" SMART PATH LIGHT

A slender form and a soft black finish give this luminaire a contemporary style that fits almost anywhere.



Model	Size	Watts	Lumens	CRI	Color °T	Voltage
DCP-STK20	20"	6 W	310 lm	80	RGB + 2200 K - 4000 K	24 VDC
DCP-STK50	50"	12 W	565 lm			

Specifications

Full color spectrum
2200K - 4000K in pure whites
Bluetooth mesh technology
Dimmable through the Dals Connect app or with the smart remote. (sold separately)
Over 50,000 hours of service life
Suitable for wet locations
5-year warranty

Finish

● **BK** Black

Note

Low-voltage transformer required. Sold separately.

Smart Transformers

DCP-TR60
60W, 120VAC 60Hz input
24VDC output low-voltage transformer

DCP-TR200
200W, 120VAC 60Hz input
24VDC output low-voltage transformer

DCP-TR300
300W, 120VAC 60Hz input
24VDC output low-voltage transformer

(See page 34 for details)

Accessories

DCP-RMCT
Smart remote

DCP-PTR36
36W plug-in transformer

DCP-ACC-MS12
12-inch metal ground stake

DCP-ACC-MS06
6-inch metal ground stake

DCP-EXT6FT
6-foot extension cable

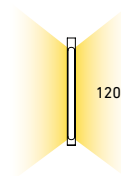
DCP-EXT20FT
20-foot extension cable

DCP-EXT-T
6-inch T-connector

What's included

Light fixture
6-inch metal ground stake
6-inch T-connector
6-foot extension cable

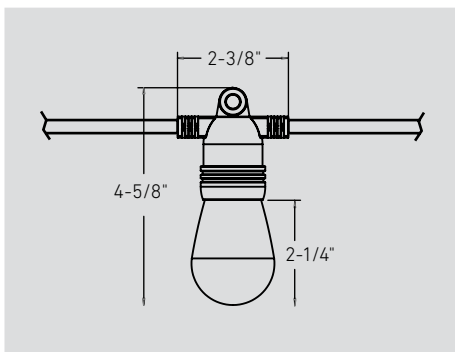
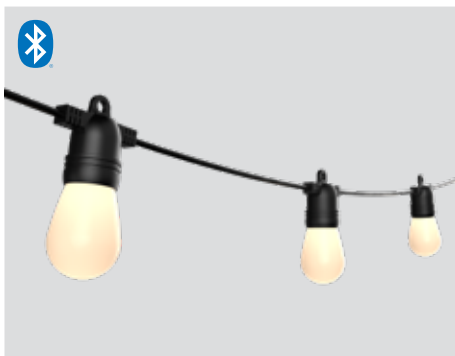
Beam angle



ORION

48' SMART STRING LIGHT

Garden parties, birthdays or a relaxing dinner. Create the perfect atmosphere with the numerous lighting effects provided by the Orion string light.



Model	Size	Watts	Lumens	CRI	Color °T	Voltage
DCP-STG48	48'	24 W	1200 lm	80	RGB + 2200 K - 4000 K	24 VDC

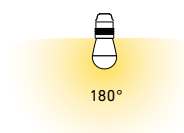
Specifications

Full color spectrum
2200K - 4000K in pure whites
24W plug-in transformer included
One 24W transformer can power two string lights daisy-chained together
15 bulbs per string
On-wire remote control
Preset animations
Bluetooth mesh technology
Dimmable through the Dals Connect app or with the smart remote. (sold separately)
Over 50,000 hours of service life
Suitable for wet locations
5-year warranty

Finish

● **BK** Black

Beam angle



Accessories

DCP-RMCT
Smart remote

DCP-STGACCLB
Bulb replacement

DCP-STGACPCB
PCB replacement

What's included

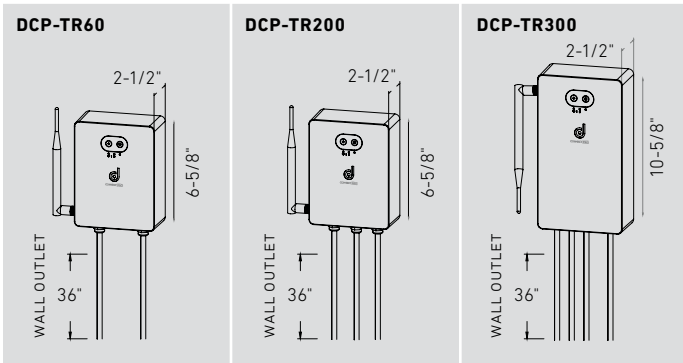
Light fixture
24W plug-in transformer

CORE TRANSFORMER

60W / 200W / 300W SMART TRANSFORMER

The heart of your connected landscape system.
By adding the Core, you unleash the full potential
of smart lighting.

Model	Input	Output	Output power
DCP-TR60	120 VAC / 60Hz	24 VDC (1 output line)	60 W
DCP-TR200	120 VAC / 60Hz	24 VDC (2 output lines)	200 W
DCP-TR300	120 VAC / 60Hz	24 VDC (3 output lines)	300 W



Specifications

- Constant voltage mode power supply
- Protection: short circuit / over voltage
- Maximum load: 80%
- Operating temperature: -30°C to 45°C
- Suitable for wet locations
- Control with the Dals Connect app
- Integrated Hub
- Can be controlled locally (without internet)
- Works with Dals Connect PRO devices
- Secure connection
- Can be used with a voice-controlled assistant
- Supports Wi-Fi and BLE Mesh protocols
- 5-year warranty

Finish

- **BK** Black

What's included

- Low-voltage smart transformer























CORE

REQUIREMENT

Smart transformers must be installed within range of a 2.4 GHz Wi-Fi network to control the lights remotely.



Model		Finish	Specification
DCP-RMCT 		White	<ul style="list-style-type: none"> • Controls any Dals Connect Pro device • Tune whites, change colors, dim or turn on/off lights • Fits any decorator wall plate (not included)
DCP-ACC-MB 		Black	<ul style="list-style-type: none"> • Mounting bracket for smart landscape lights
DCP-ACC-MS06 DCP-ACC-MS12 		Black	<ul style="list-style-type: none"> • 6 and 12 in. metal replacement ground stakes for smart landscape lights
DCP-EXT2FT DCP-EXT6FT DCP-EXT20FT 		Black	<ul style="list-style-type: none"> • 2, 6, and 20 ft. extension cords for smart landscape lights
DCP-EXT-T 		Black	<ul style="list-style-type: none"> • 6 in. T-connector for smart landscape lights
DCP-PTR36 		Black	<ul style="list-style-type: none"> • 36W plug-in transformer for smart landscape lights (Power source only, no smart functionality)
DCP-SPTACCLENS 		Frosted white	<ul style="list-style-type: none"> • 120° frosted lens for DCP-SPT6 spot light
DCP-SPTEXT14 		Black	<ul style="list-style-type: none"> • 14 in. extension tube for DCP-SPT6 spot light
DCP-STGACCLBLB DCP-STGACPCB 		White	<ul style="list-style-type: none"> • Replacement bulb for DCP-STG48 string light • Replacement PCB for DCP-STG48 string light
DCP-ACC-NFCH 		White	<ul style="list-style-type: none"> • 1-meter U-channel extrusion for Flex neon tape straight line assembly

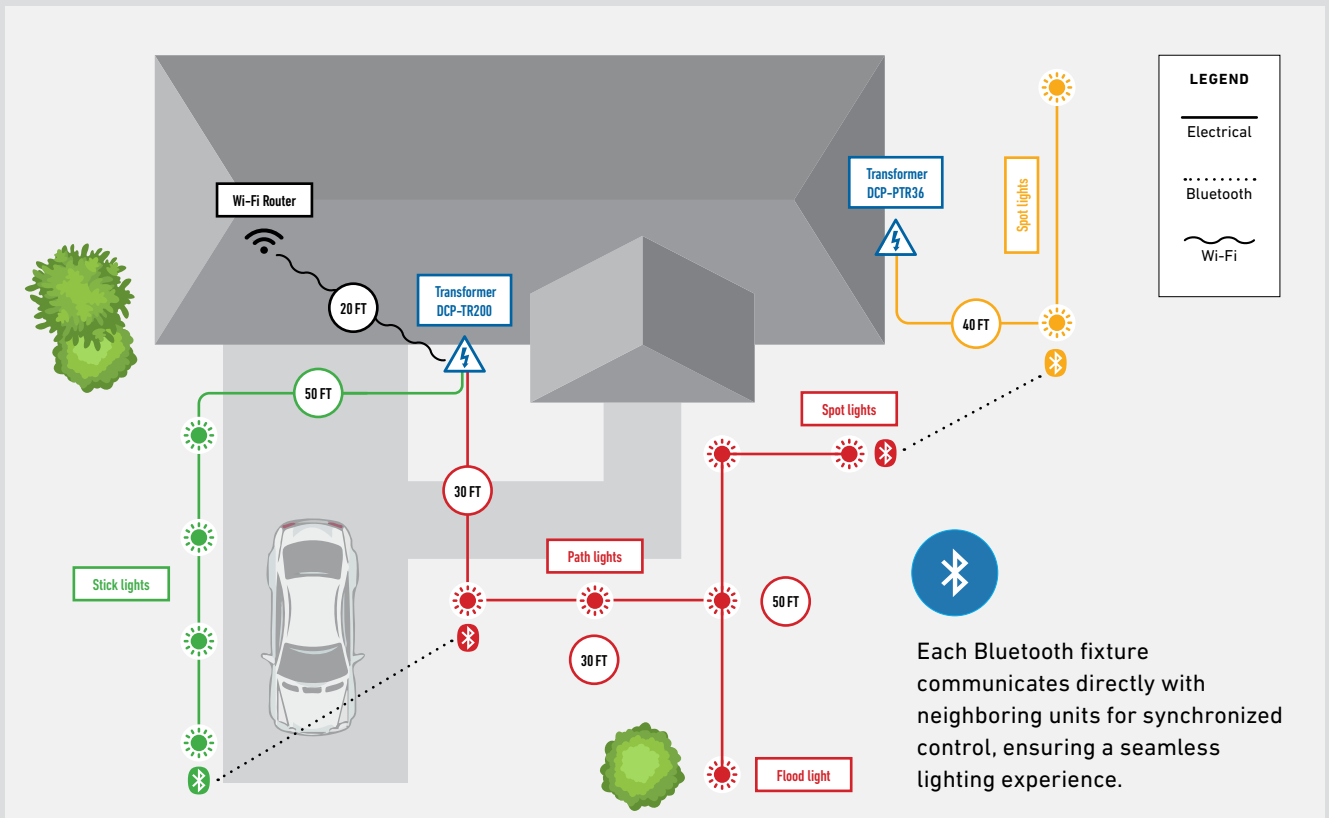
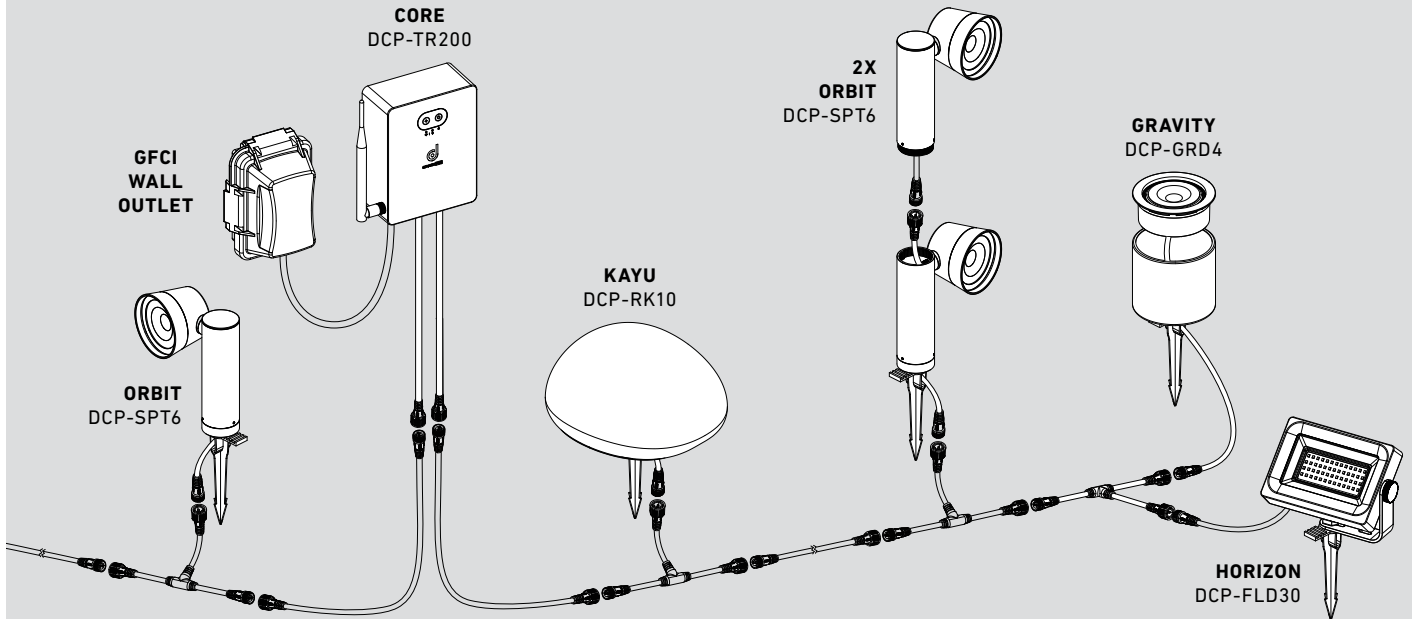
SMART LANDSCAPE LIGHTING - SAMPLE 24VDC WIRING DIAGRAM



Mix it up! With our simple universal quick-connect system, different Dals Connect PRO landscape fixtures can be connected together, creating your own unique environment.



Safe! Low-voltage lighting installations are significantly safer than 120V lighting systems due to their reduced risk of electric shock and fire hazards.



SIMPLE TO SET-UP AND USE

Connect, control, and personalize your lights



INSTALL OR PLUG-IN YOUR LIGHTS

Remove the fixture from its packaging and install it. Then, turn it on.



DOWNLOAD OR UPDATE THE APP

Visit Google Play or the Apple App Store to download the latest version of the free Dals Connect app.



CONNECT YOUR LIGHTS

Add your lights to the DALS Connect app. Use the app, Alexa, or the Google Assistant and light up your world!

LAYOUT & WIRING GUIDELINES FOR SMART LANDSCAPE LIGHTING

Welcome to DALS Smart Landscape Lighting! Here, you'll discover helpful installation tips to guide you through setting up your lighting system. From organizing cables to managing wireless control, these guidelines ensure a seamless installation experience and enhance your enjoyment of our products.

Let's begin!



Each zone, consisting of fixtures within the specified cable length limits (Max 200 feet per cable), should be connected to an individual DCP-TR transformer cable. (Max 100W per cable if using the DCP-TR200 or DCP-TR300).



Installation of DCP-TR transformers requires proximity to a 2.4 GHz Wi-Fi network for remote light control. In cases where Wi-Fi connectivity is unavailable, control is limited to Bluetooth within range of the nearest smart fixture.



Maintain a maximum line-of-sight distance of 200 feet between each fixture to ensure effective wireless control signal transmission.



Note that the effective range of the wireless signal may be reduced when passing around building corners or encountering obstacles that interfere with signal transmission.



When connecting transformers to an outlet controlled by a wall switch, use a regular wall switch rather than a dimmer switch.



Fixtures can be dimmed using the Dals Connect app, Amazon Alexa/Google Home, or the DCP-RMCT wireless remote controller. (See page 35 for details)



Have questions or need help with your installation?

We're here to assist you. For guidance with connections or installation inquiries, please contact DALS tech support at:

1-877-430-1818

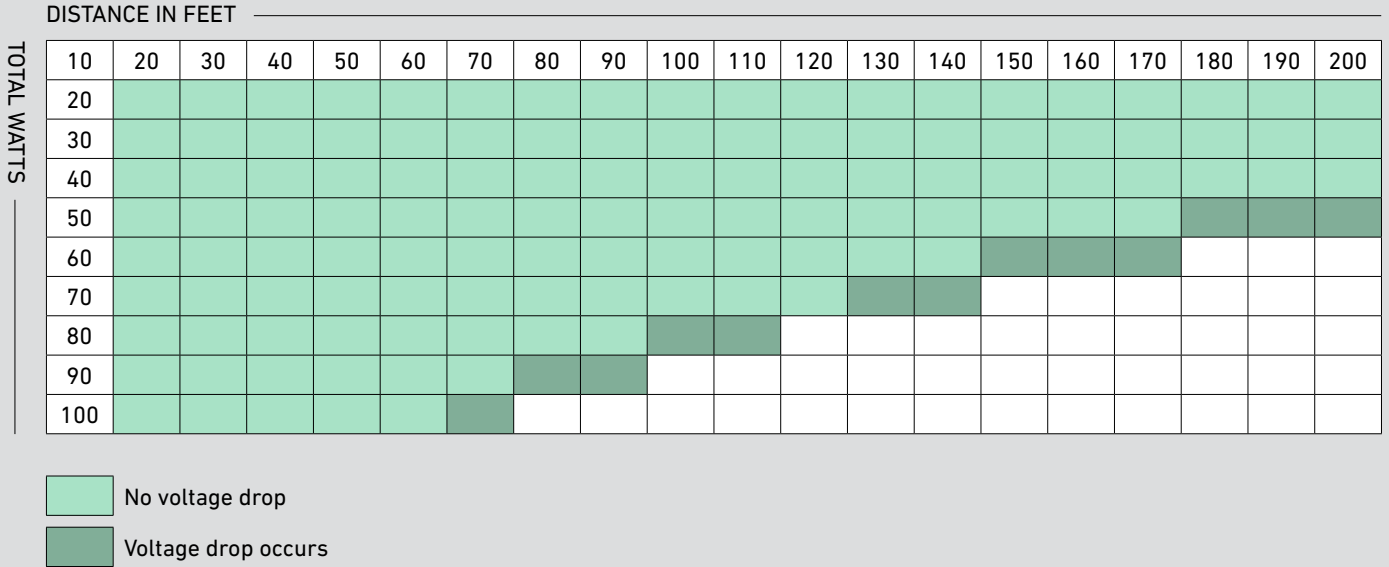


Warning! Be sure to call your utility company before you dig anywhere on your property. Most companies provide a free service that marks the locations of all underground utilities.

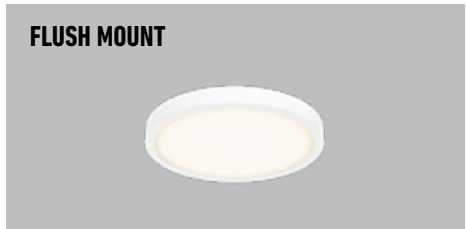
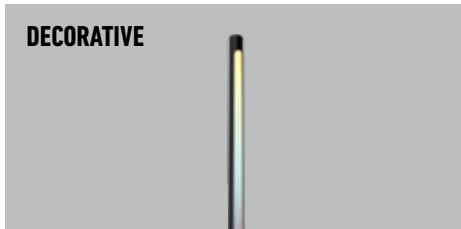
SMART LANDSCAPE LIGHTING - VOLTAGE DROP



Good to know! Voltage drop occurs when the voltage at the end of a run of cable is lower than at the beginning. This usually occurs with long cable runs.



MORE SMART LIGHTING

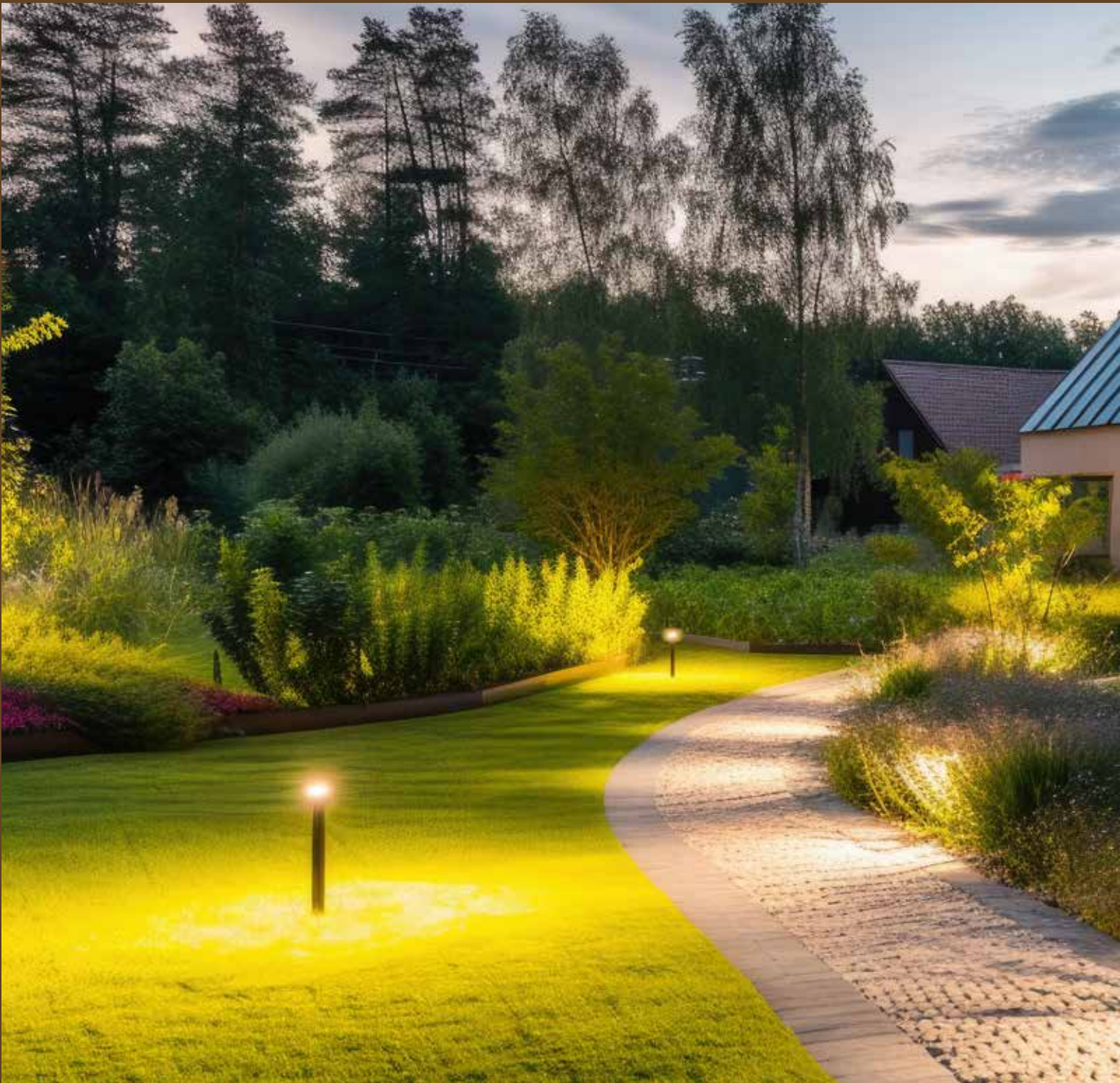


More interior and exterior smart lighting options

dals.com/smart-home







* Step lights only

120V LINE VOLTAGE
LANDSCAPE LIGHTING



5CCT COLOR
SELECT*



DIRECT LINE
VOLTAGE



TRANSFORMER NOT
REQUIRED



CAST ALUMINUM
CONSTRUCTION



STATURE



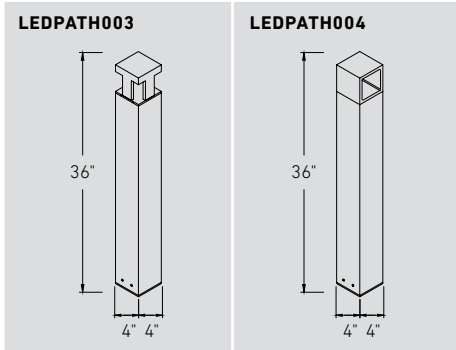
ALTO



STATURE

36" BOLLARDS

The Stature series of 120V bollards adds a stylish touch to any project, seamlessly blending functionality and aesthetics with its 7.5W of warm white light.



Model	Size	Watts	Lumens	CRI	Color °T	Voltage
LEDPATH003D	36"	7.5 W	180 lm	90	3000 K	120 V
LEDPATH004D	36"	7.5 W	350 lm			

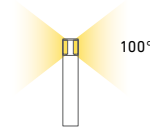
Specifications

Excellent color rendering
 Warm white light output
 Superior LED performance and lifespan
 Robust 4-inch base/post
 Can be mounted to wood or concrete
 Over 50,000 hours of service life
 Cast aluminum construction
 Suitable for wet locations
 5-year warranty

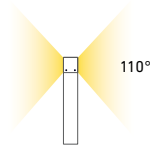
Finish

● BK Black

Beam angle



LEDPATH003



LEDPATH004

What's included

Light fixture
 Mounting bracket
 Waterproof wire nuts
 Concrete anchors

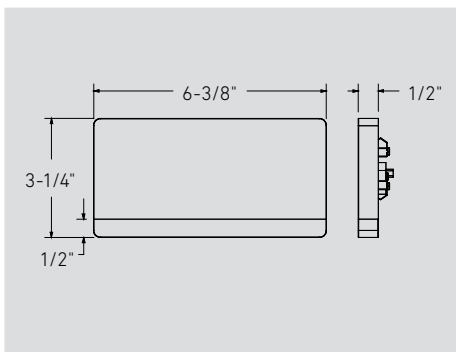
Note

This fixture operates on a 120V wiring system; the use of a transformer is not required.

ALTO

6" STEP LIGHT

This 6-inch step light, featuring a sturdy clear acrylic lens integrated into the fixture, illuminates stairs or steps with subtle grace.



Model	Size	Watts	Lumens	CRI	Color °T	Voltage
SQSTP-CC	6"	3 W	190 lm	90	2200, 2700, 3000, 3500, 4000 K	120 V

Specifications

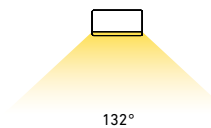
Excellent color rendering
 Switch-selectable CCT: 2200K/ 2700K/ 3000K/ 3500K/ 4000K
 Superior LED performance and lifespan
 Over 50,000 hours of service life
 Cast aluminum construction
 Installable in a standard 2-inch x 3-inch electrical junction box
 Suitable for wet locations
 5-year warranty

Finish

● BK Black

○ WH White

Beam angle



What's included

Light fixture with CCT switch
 Mounting plate
 Wire nuts

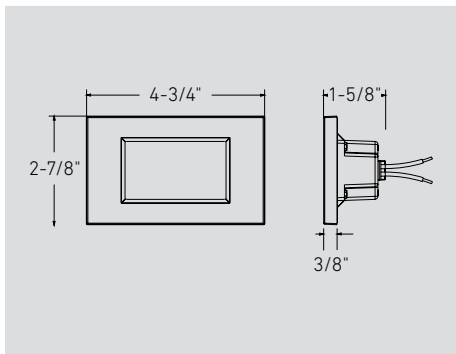
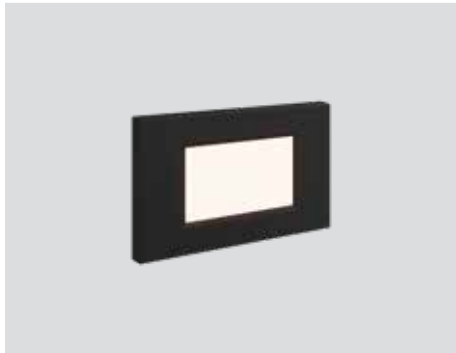
Note

This fixture operates on a 120V wiring system; the use of a transformer is not required.

ASCEND

4-3/4" STEP LIGHT

This versatile flat-panel step light blends contemporary style with practicality, offering gentle illumination to enhance safety and aesthetics indoors or outdoors.



Model	Size	Watts	Lumens	CRI	Color °T	Voltage
LSTP07-CC	4-3/4"	4 W	150 lm	90	2200, 2700, 3000, 3500, 4000 K	120 V

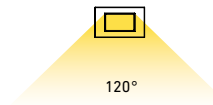
Specifications

Excellent color rendering
 Switch-selectable CCT: 2200K/ 2700K/ 3000K/ 3500K/ 4000K
 Superior LED performance and lifespan
 Over 50,000 hours of service life
 Cast aluminum construction
 Install in standard electrical junction box
 Suitable for wet locations
 5-year warranty

Finish

- BK Black
- WH White

Beam angle



What's included

Light fixture with CCT switch
 Mounting plate
 Wire nuts

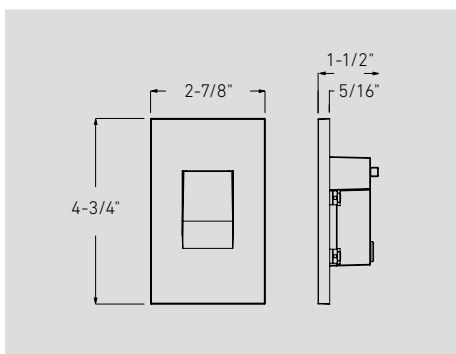
Note

This fixture operates on a 120V wiring system; the use of a transformer is not required.

ECHO

4-3/4" STEP LIGHT

Experience a wealth of inspiration with our LED accent step lights. Illuminate your outdoor deck or indoor stairs for a touch of brilliance and style.



Model	Size	Watts	Lumens	CRI	Color °T	Voltage
LEDSTEP002D-CC	4-3/4"	3 W	75 lm	90	2200, 2700, 3000, 3500, 4000 K	120 V

Specifications

Excellent color rendering
 Switch-selectable CCT: 2200K/ 2700K/ 3000K/ 3500K/ 4000K
 Superior LED performance and lifespan
 Over 50,000 hours of service life
 Cast aluminum construction
 Install in standard electrical junction box
 Suitable for wet locations
 5-year warranty

Finish

- BK Black
- WH White

Beam angle



What's included

Light fixture with CCT switch
 Mounting plate
 Wire nuts

Note

This fixture operates on a 120V wiring system; the use of a transformer is not required.





ASCEND



ECHO

PEARL



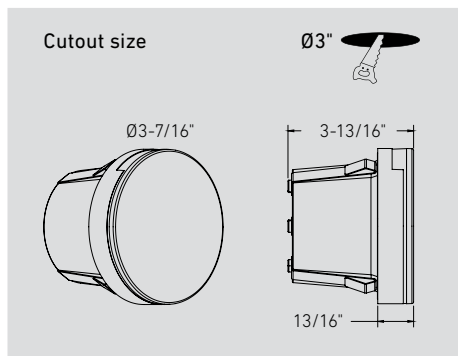
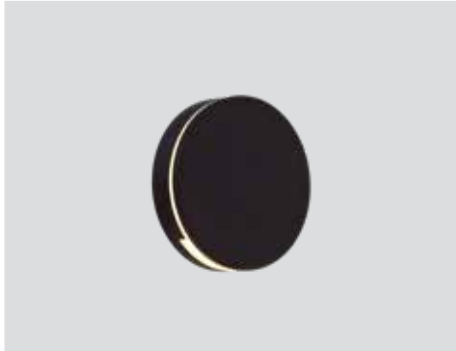
CAMBER



PEARL

3-1/4" STEP LIGHT

The simplicity of this design allows for the highest level of flexibility. Light glowing from all directions creates the perfect ambiance for any setting.



Model	Size	Watts	Lumens	CRI	Color °T	Voltage
LEDSTEP004D-CC	3-1/4"	3 W	50 lm	90	2200, 2700, 3000, 3500, 4000 K	120 V

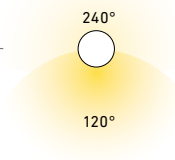
Specifications

Excellent color rendering
 Switch-selectable CCT: 2200K/ 2700K/ 3000K/ 3500K/ 4000K
 Superior LED performance and lifespan
 Over 50,000 hours of service life
 Cast aluminum construction
 Includes a junction box approved for concrete applications
 Suitable for wet locations
 5-year warranty

Finish

- **BK** Black
- **WH** White

Beam angle



What's included

Light fixture with CCT switch
 Round junction box
 Wire nuts

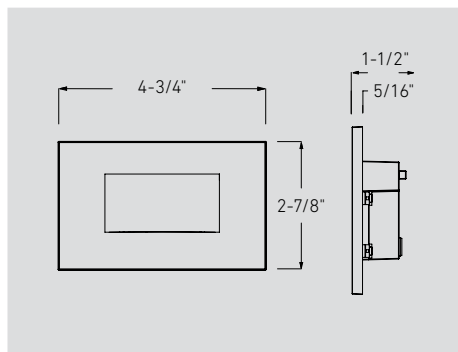
Note

This fixture operates on a 120V wiring system; the use of a transformer is not required.

CAMBER

4-3/4" STEP LIGHT

Illuminate your outdoor deck, indoor stairs, or any space with their enchanting glow, promising to captivate and inspire.



Model	Size	Watts	Lumens	CRI	Color °T	Voltage
LEDSTEP005D-CC	4-3/4"	3 W	90 lm	90	2200, 2700, 3000, 3500, 4000 K	120 V

Specifications

Excellent color rendering
 Switch-selectable CCT: 2200K/ 2700K/ 3000K/ 3500K/ 4000K
 Superior LED performance and lifespan
 Over 50,000 hours of service life
 Cast aluminum construction
 Install in standard electrical junction box
 Suitable for wet locations
 5-year warranty

Finish

- **BK** Black
- **WH** White

Beam angle



What's included

Light fixture with CCT switch
 Mounting plate
 Wire nuts

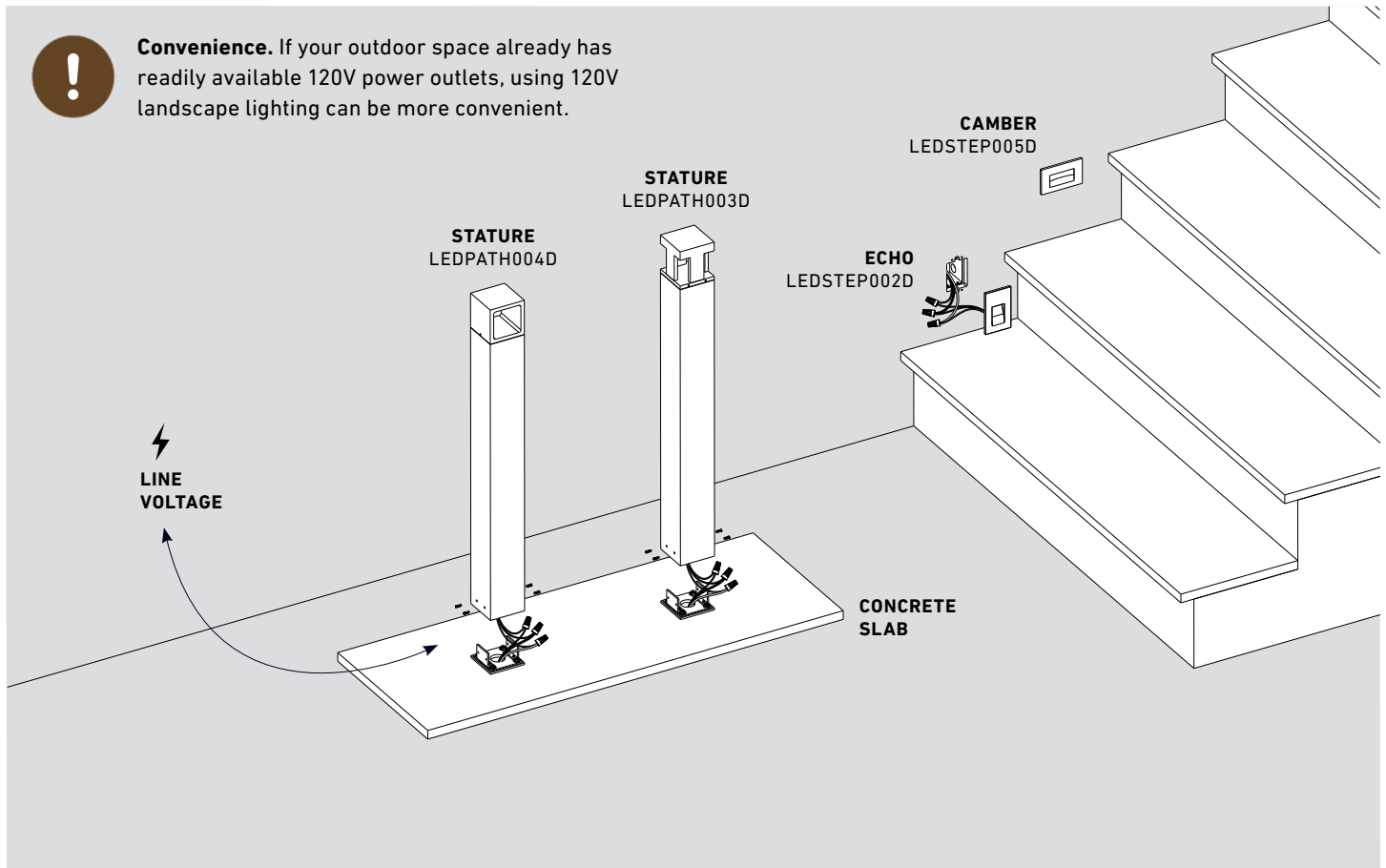
Note

This fixture operates on a 120V wiring system; the use of a transformer is not required.

LANDSCAPE LIGHTING - SAMPLE 120V WIRING DIAGRAM



Convenience. If your outdoor space already has readily available 120V power outlets, using 120V landscape lighting can be more convenient.



DID YOU KNOW?

1

120V lighting fixtures are connected directly to your home's electrical system, eliminating the need for an external transformer.

2

You can connect as many 120V fixtures as you want without worrying about voltage drop. The last light in a series will always be just as bright as the first.

3

Controlling outside lights indoors via a wall switch boosts convenience and accessibility for easy lighting control.

4

All 120V lights are dimmable with recommended dimmers, providing flexible control over illumination.



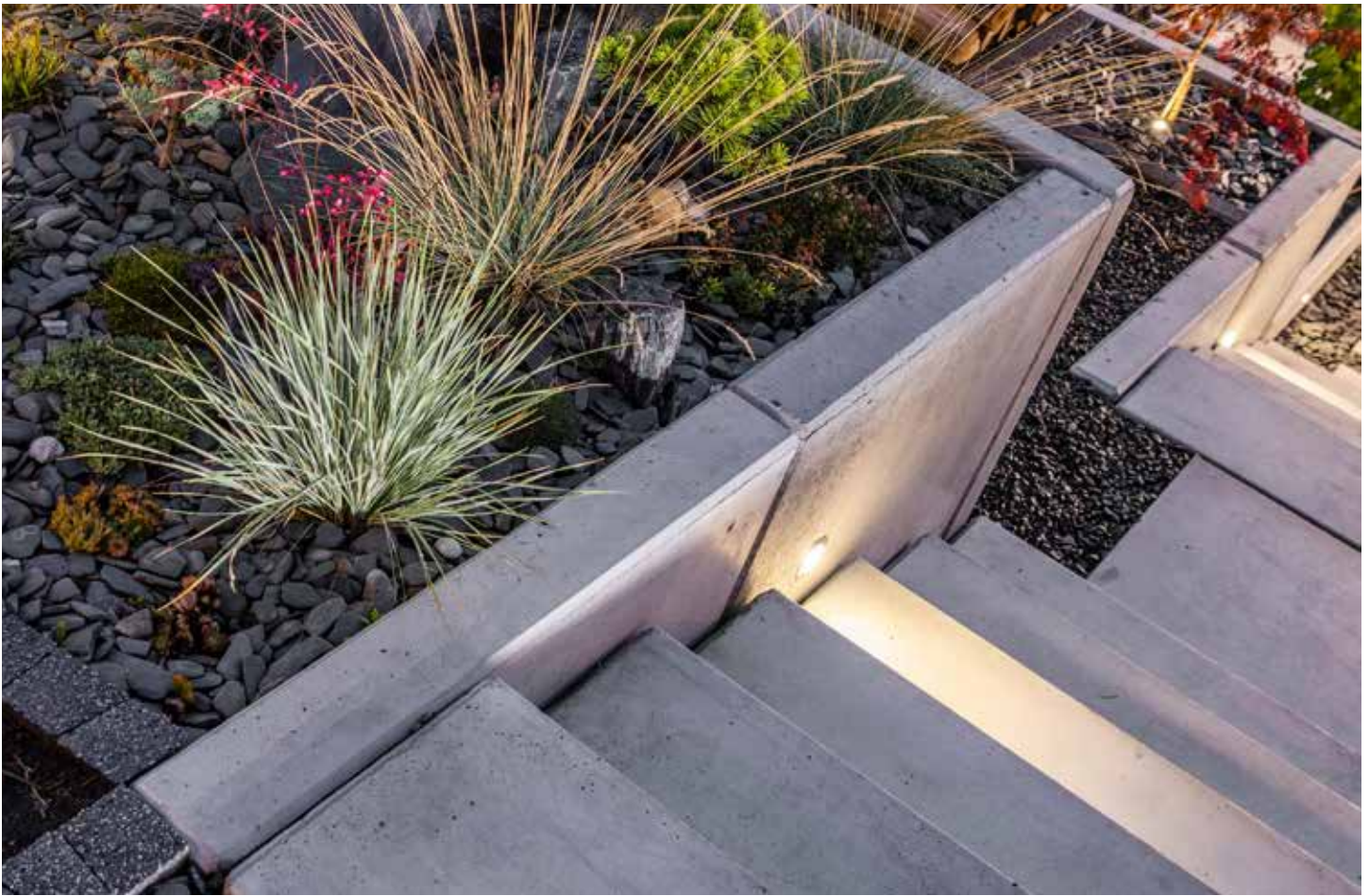
Safety first.

For proper and safe installation, please consider hiring an electrician for your 120V lighting projects.

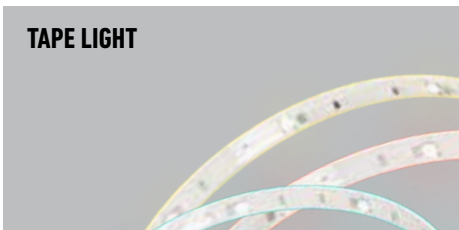


Warning! Be sure to call your utility company before you dig anywhere on your property. Most companies provide a free service that marks the locations of all underground utilities.





MORE 120V EXTERIOR LIGHTING



More exterior lighting options

dals.com/outdoors









Canada

80, blvd. de la Seigneurie, East
Blainville, Quebec J7C 4N1

U.S.A

4383, NW 124th Ave.,
Coral Springs, Florida 33065

Customer service

877 430 1818

For information regarding distributors
and points of sale please visit our website
dals.com or email: info@dals.com