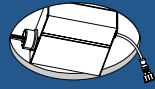


RECESSED



RECESSED 24-85



24
INSTALLATION
GUIDE



28
HORUS
GSP3-CC



30
FUSION
GPN4-CC
GPN6-CC



32
BOULEVARD
LNR24/48-CC



34
REVOLVE
GBR35/04/06-CC
GBR35/04/06-DW



36
REVOLVE SQUARE
GBR35SQ-CC



38
REVOLVE DUO
GBR35-CC-DUO



40
FACET
RGM2/4/6-CC



42
PIVOT
FGM2/3/4/6



44
PIVOT SQUARE
FGM4SQ-CC



46
PIVOT DUO
FGM4-CC-DUO



48
SCOPE
LEDDOWNG3
GMB2/4



50
APERTURE
MFD03-CC



52
PINPOINT SERIES
MSL1/2



54
PINPOINT SERIES
MSL4/5/10/5G/10G



56
RGR
RGR1/2/4/6-CC
RGR2/4-HP



58
RGR SQUARE
RGR2/4/6SQ-CC



60
INDIRECT
IND4/6



62
HILUX
HPD4/6/8-CC



64
ETCH
DDP4-CC
DDP6-CC



352
ETCH PRO
DCP-DDP4
DCP-DDP6



66
NOTCH
DRR2/4/6-CC/



68
MYSTIQUE
SPN4-CC
SPN6-CC



70
MYSTIQUE SQUARE
SPN4SQ-CC
SPN6SQ-CC



72
EXCEL SQUARE
5003/4/5/6-CC
5004SQ-CC



74
EXCEL
5004-DW
5004/6-FR



354
EXCEL PRO
DCP-PNL4
DCP-PNL6



76
ACCESS
2003/2004/2006



78
ALTER SERIES
RTF4-3K
RTF4-CC



80
ALTER SERIES
LEDPNLRTF56-CC

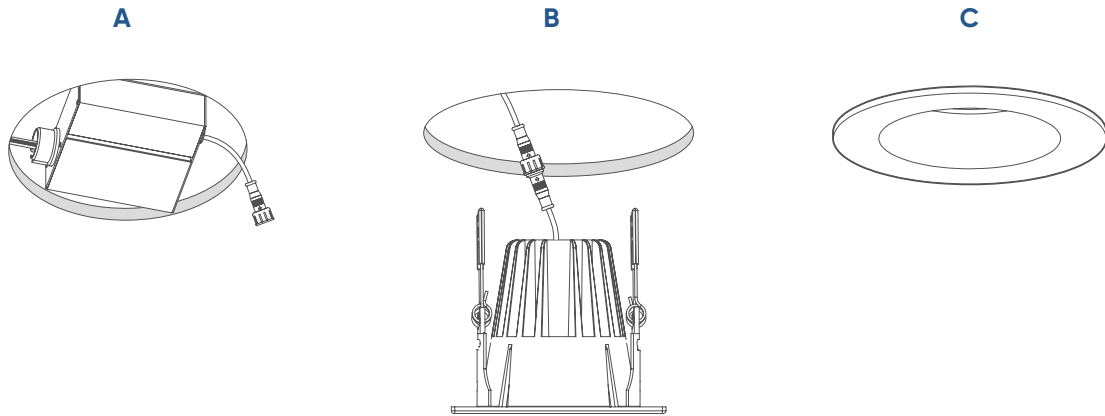


82
ACCESSORIES



Proper Sizing, Spacing and Downlighting Techniques

The components Our recessed kits include two main components: the driver and the fixture.



The driver (A)

is what is recessed into the ceiling and consists of the electrical parts that bring power to the light.

The fixture (B & C)

is what's visible to people in the room and gives the light its aesthetic.

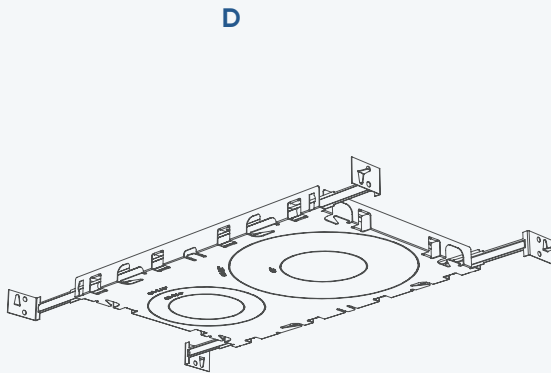


Fixtures and drivers are sized to correlate with one another and are sold together with all of our recessed lights.

Panels. Spotlights. Downlights. Whatever you call recessed lights, they're some of the most versatile lighting options out there. The most common use of recessed lighting, and what we'll focus on here, is recessed downlighting from the ceiling.

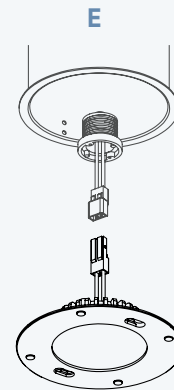
Installation type

What fixture you choose starts with knowing whether it will be used in a new construction, a remodel or as a retrofit.



New construction

Locations with visible ceiling joists and without drywall. Lights can be used with our rough-in plates (**D**) to help in the installation process.



Remodels

When the joists are not exposed or if you want to upgrade your current system to LED.

Retrofit

When an existing bulb is removed from the original housing, and replaced with an LED trim (**E**).

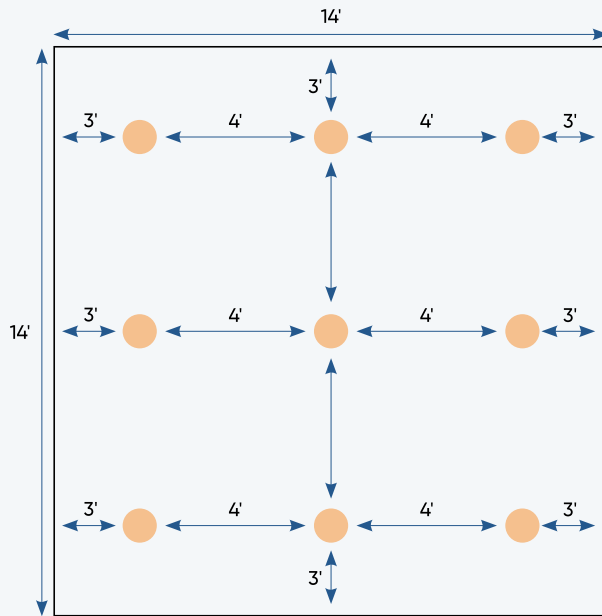
**GOOD
TO KNOW!**

Most of Dals' recessed fixtures are designed for new construction and remodels. These fixtures are installed through a small opening in the ceiling and held in place with clips.

**GOOD
TO KNOW!**

A rough-in plate is designed for new construction or renovations where the ceiling framing is exposed. It allows for proper placement of your recessed light and is made from sturdy galvanized steel.

How many downlights do I need?



A simple method for estimating the number of downlights required is as follows:

Recessed downlights are generally positioned 2 to 3 feet away from walls with a space of 3 to 4 feet between each light. Dividing the ceiling height by two is a way of gauging how much space to leave between each downlight.

Thus, if your ceiling is 8 foot high, place your lights 4 feet apart.



In Canada, 4" recessed lights are the most popular, in the U.S., 6" are most commonly used.



Horus

A versatile lighting solution with a flexible design for precise illumination, its gimbal mechanism allows users to easily adjust the light angle, making it ideal for residential or commercial settings. The compact 3-inch size is suitable for tight spaces, and the spotlight's focused beam makes it perfect for accent lighting or task-oriented applications.

NEW  **DAMP**  **360°** **SWIVEL/DIRECTIONAL**  **IC** **RATED**  **AIR TIGHT**


2700k 3000k 3500k 4000k 5000k
COLOR TEMPERATURE



Model	Size	Watts	Delivered lumens	CRI	Color °T	Voltage
GSP3-CC	3"	12 W	950 lm	90	2700, 3000, 3500, 4000, 5000 K	120 V

Specifications

Every fixture includes a junction box with an integrated driver
 Over 50,000 hours service life
 Switch-selectable CCT: 2700 K/3000 K/3500 K/4000 K/5000 K
 60° beam angle
 30° tilting, 360° rotation
 Cast aluminum construction
 Suitable for damp locations
 Refer to website for dimmer compatibility
 IC certification (suitable for direct contact with insulation)
 Air-tight certified as per ASTM E283-04
 5-year warranty

Finish

- **BK** Black
- **GD** Gold

Note

Other color temperatures, finishes, and voltage options are available but may require minimum order quantities (MOQs) and longer lead times. Please contact your DALI representative for more information.

Accessories

RFP-23

Rough-in plate


GSP-CC-EXT8FT

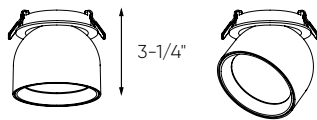
8-foot extension cable

GSP-CC-EXT20FT

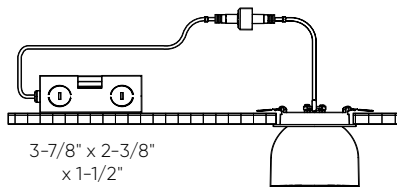
20-foot extension cable

GSP3-CC

Ø2-3/4" 



Ø 3-3/8"



3-7/8" x 2-3/8"
x 1-1/2"



Fusion

The Fusion is a slim gimbal recessed panel with 5CCT, offering advanced lighting flexibility for precise illumination. Its gimbal design allows users to direct light as needed, and the 5CCT feature provides color temperature versatility, making the Fusion an ideal choice for both residential and commercial applications.

NEW WET ENERGY STAR Intertek IC RATED JA8 CERTIFIED

25° SWIVEL/DIRECTIONAL AIR TIGHT

2700k 3000k 3500k 4000k 5000k COLOR TEMPERATURE



Model	Size	Watts	Delivered lumens	CRI	Color °T	Voltage
GPN4-CC	4"	10 W	850 lm	90	2700, 3000, 3500, 4000, 5000 K	120 V
GPN6-CC	6"	13 W	1050 lm			

Specifications

Every fixture includes a junction box with an integrated driver
 Over 50,000 hours service life
 Switch-selectable CCT: 2700 K/3000 K/3500 K/4000 K/5000 K
 110° beam angle
 25° tilting, 360° rotation
 Cast aluminum construction
 Suitable for wet locations
 Refer to website for dimmer compatibility
 IC certification (suitable for direct contact with insulation)
 Air-tight certified as per ASTM E283-04
 5-year warranty

Finish

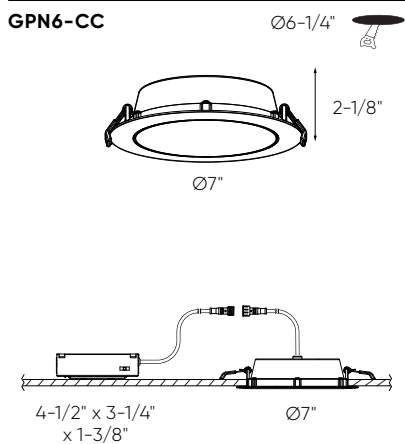
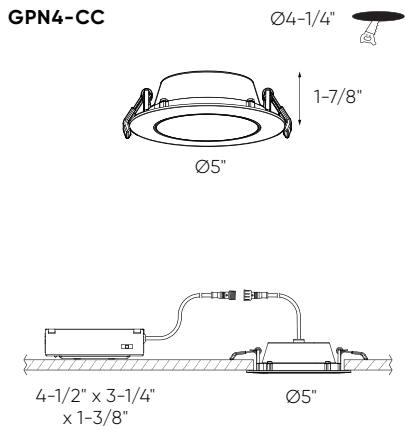
- **BK** Black
- **WH** White

Note

Other color temperatures, finishes, and voltage options are available but may require minimum order quantities (MOQs) and longer lead times. Please contact your DALI representative for more information.

Accessories

- RFP-UNI**
Universal rough-in plate
- RFP-46**
Rough-in plate for 4" and 6" models
- GPN-CC-EXT8FT**
8-foot extension cable
- GPN-CC-EXT20FT**
20-foot extension cable



Boulevard

The Boulevard series, an architectural recessed lighting channel that can be installed in a wide range of commercial and residential environments. Add depth to ceiling planes with a visible separation, or seamlessly daisy-chained to create dramatic effects.

UPGRADE



DRY



AIR TIGHT



ENERGY STAR



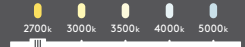
ETL Intertek



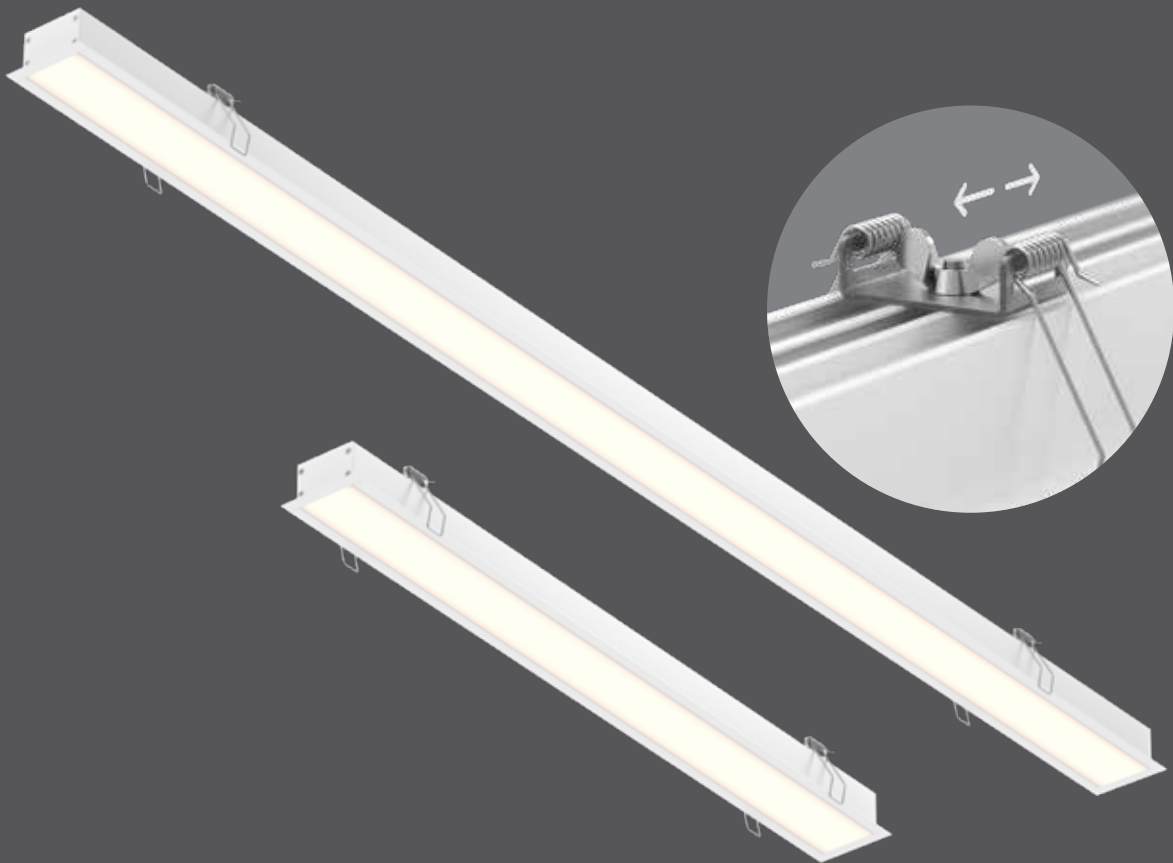
IC RATED



JA8 CERTIFIED



COLOR TEMPERATURE



Model	Size	Watts	Delivered lumens	CRI	Color °T	Standard voltage	Multi-voltage ⚡
LNR24-CC	24"	20 W	1725 lm	90	2700, 3000, 3500, 4000, 5000 K	120V, Triac dimming	MV: 120 / 277 / 347V, 0-10V dimming
LNR48-CC	48"	40 W	3760 lm				

Specifications

Every fixture includes a junction box with integrated dimmable driver
 Can be daisy chained
 Superior LED performance and lifespan
 Minimal heat emission
 Aluminum construction
 Switch-selectable CCT: 2700K/3000 K/3500 K/4000 K/5000 K
 108° beam spread
 IC certification (suitable for direct contact with insulation)
 Air-tight certified as per ASTM E283-04
 Suitable for dry locations
 Refer to website for dimmer compatibility
 Ideal operating temperature: -20° to 40° C
 5-year warranty

Finish

- **BK** Black
- **WH** White

Accessories

- LNACC-L16FT**
16-foot lens for Boulevard series pendants and recessed linears
- RFP-LNR24**
Rough-in plate
- RFP-LNR48**
Rough-in plate
- REC-CC-EXT8FT**
8-foot extension cable
- REC-CC-EXT20FT**
20-foot extension cable

Multi-voltage ⚡

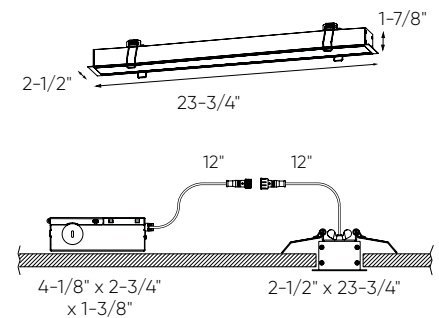
This product family offers multi-voltage drivers (120/277/347) that are dimmable using 0-10V dimming systems. Please note that longer lead times may apply for this option. Kindly reach out to your DALI representative for additional information and to confirm availability.

Note

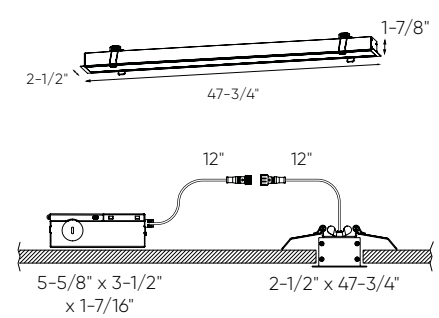
Other color temperatures, finishes, and voltage options are available but may require minimum order quantities (MOQs) and longer lead times. Please contact your DALI representative for more information.



LNR24-CC 23-3/8" x 2-1/8" 



LNR48-CC 47-7/16" x 2-1/8" 



Revolve

Our Recessed family has grown with a new range of adjustable downlights. The effortless design and high functionality of these fixtures are sure to make a welcome addition in any room.

- UPGRADE**
-  WET
-  LOW-GLARE
-  ENERGY STAR
-  ETL Intertek
- IC RATED**
- JA8 CERTIFIED**
-  WARM DIMMING*
- 30°**
SWIVEL/DIRECTIONAL
-  AIR TIGHT
-  2700k 3000k 3500k 4000k 5000k
COLOR TEMPERATURE



*Models GBR35-DW , GBR04-DW, GBR06-DW only

Model	Size	Watts	Delivered lumens	CRI	Color °T	Standard voltage	Multi-voltage ⚡
GBR35-CC	3.5"	12 W	860 lm	90	2700, 3000, 3500, 4000, 5000 K	120V, Triac dimming	MV: 120 / 277 / 347V, 0-10V dimming
GBR04-CC	4"	15 W	1240 lm				
GBR06-CC	6"	20 W	1500 lm				
GBR35-DW	3.5"	12 W	860 lm	90	3000 K - 2200 K		
GBR04-DW	4"	15 W	1240 lm				
GBR06-DW	6"	20 W	1500 lm				

Specifications

Every fixture includes a junction box with an integrated driver
 Over 50,000 hours service life
 Switch-selectable CCT: 2700 K/ 3000 K/3500 K/4000 K/5000 K (GBRXX-CC models only)
 Dim-to-warm technology, dims from 3000 K to 2200 K to mimic incandescent light (GBRXX-DW models only)
 40° beam angle
 30° tilting, 360° rotation
 Cast aluminum construction
 Suitable for wet locations
 Refer to website for dimmer compatibility
 IC certification (suitable for direct contact with insulation)
 Air-tight certified as per ASTM E283-04
 5-year warranty

Finish

- **BK** Black (GBRXX-CC models only)
- **WH** White

Accessories

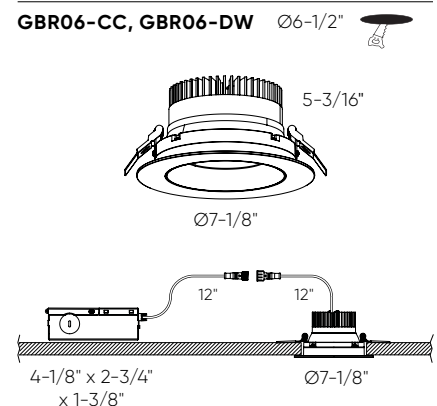
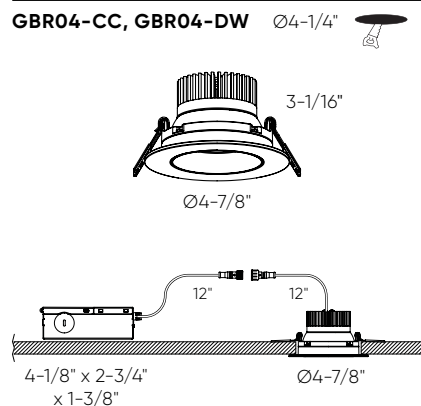
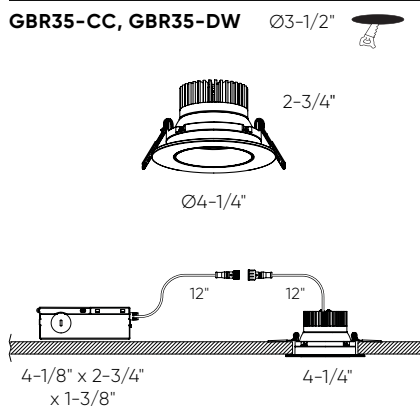
- RFP-35 (GBR35)**
Rough-in plate
- RFP-UNI (GBR04, GBR06)**
Universal rough-in plate
- RFP-46 (GBR04, GBR06)**
Rough-in plate
- REC-CC-EXT8FT (GBRXX-CC)**
8-foot extension cable
- REC-CC-EXT20FT (GBRXX-CC)**
20-foot extension cable
- REC-3K-EXT8FT (GBRXX-DW)**
8-foot extension cable
- REC-3K-EXT20FT (GBRXX-DW)**
20-foot extension cable

Multi-voltage ⚡

This product family offers multi-voltage drivers (120/277/347) that are dimmable using 0-10V dimming systems. Please note that longer lead times may apply for this option. Kindly reach out to your DALI representative for additional information and to confirm availability.

Note

Other color temperatures, finishes, and voltage options are available but may require minimum order quantities (MOQs) and longer lead times. Please contact your DALI representative for more information.



Revolve square

Our Recessed family has grown with a new range of adjustable downlights. The effortless design and high functionality of these fixtures are sure to make a welcome addition in any room.

NEW WET LOW-GLARE ENERGY STAR Intertek IC RATED JA8 CERTIFIED

30° SWIVEL/DIRECTIONAL AIR TIGHT

2700k 3000k 3500k 4000k 5000k COLOR TEMPERATURE



*Models GBR35-DW , GBR04-DW, GBR06-DW only

Model	Size	Watts	Delivered lumens	CRI	Color °T	Standard voltage	Multi-voltage ⚡
GBR35SQ-CC	3.5"	12 W	860 lm	90	2700, 3000, 3500, 4000, 5000 K	120V, Triac dimming	MV: 120 / 277 / 347V, 0-10V dimming

Specifications

Every fixture includes a junction box with an integrated driver
 Over 50,000 hours service life
 Switch-selectable CCT: 2700 K/3000 K/3500 K/4000 K/5000 K
 40° beam angle
 30° tilting, 360° rotation
 Cast aluminum construction
 Suitable for wet locations
 Refer to website for dimmer compatibility
 IC certification (suitable for direct contact with insulation)
 Air-tight certified as per ASTM E283-04
 5-year warranty

Finish

○ **WH** White

Accessories

RFP-35

Rough-in plate

REC-CC-EXT8FT

8-foot extension cable

REC-CC-EXT20FT

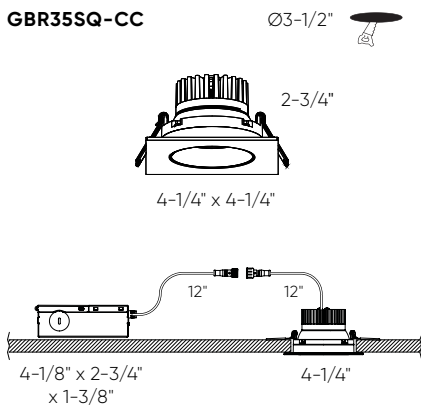
20-foot extension cable

Multi-voltage ⚡

This product family offers multi-voltage drivers (120/277/347) that are dimmable using 0-10V dimming systems. Please note that longer lead times may apply for this option. Kindly reach out to your DALI representative for additional information and to confirm availability.

Note

Other color temperatures, finishes, and voltage options are available but may require minimum order quantities (MOQs) and longer lead times. Please contact your DALI representative for more information.

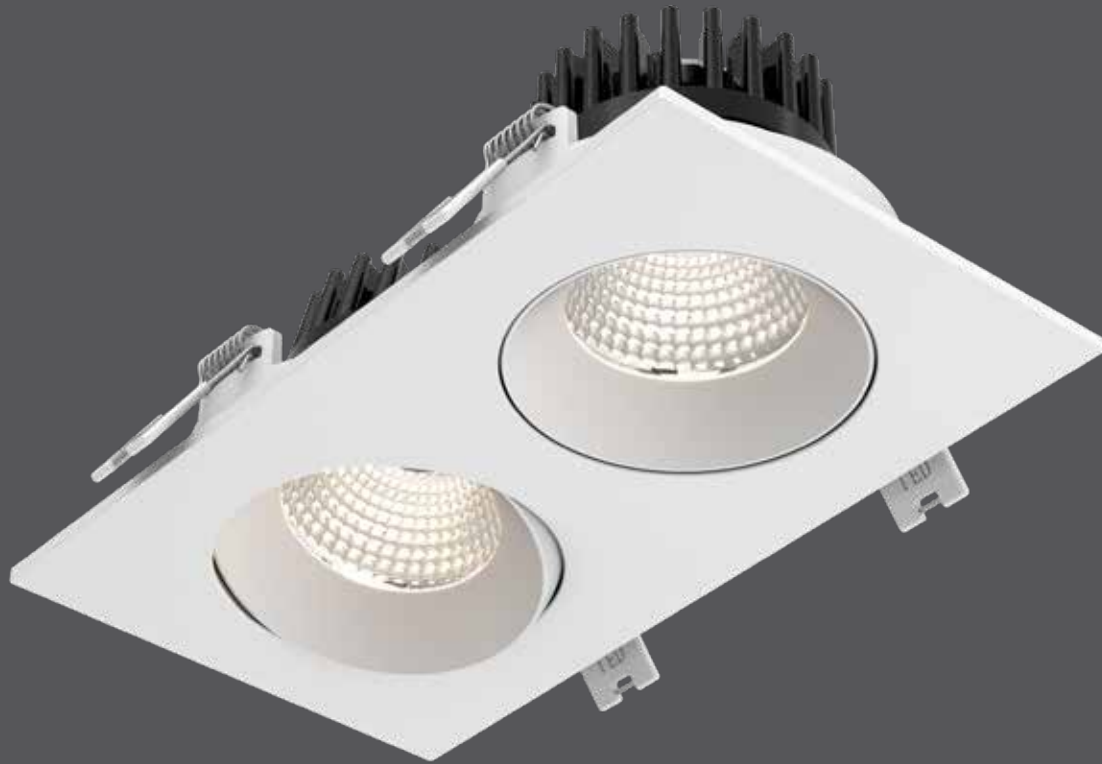


Revolve duo

Our Recessed family has grown with a new range of adjustable downlights. The effortless design and high functionality of these fixtures are sure to make a welcome addition in any room.

UPGRADE WET SWIVEL/DIRECTIONAL 30° ETL IC INTERTEK RATED

AIR TIGHT 2700k 3000k 3500k 4000k 5000k COLOR TEMPERATURE ENERGY STAR JA8 CERTIFIED



Model	Size	Watts	Delivered lumens	CRI	Color °T	Standard voltage	Multi-voltage ⚡
GBR35-CC-DUO	2x 3.5"	24 W	1740 lm	90	2700, 3000, 3500, 4000, 5000 K	120V, Triac dimming	MV: 120 / 277 / 347V, 0-10V dimming

Specifications

Includes a junction box with integrated dimmable driver

Can be daisy chained

Superior LED performance and lifespan

30° tilting, 360° rotation

Minimal heat emission

Aluminum construction

Switch-selectable CCT: 2700K/3000 K/3500 K/4000 K/5000 K

Low profile

40° beam spread

IC certification (suitable for direct contact with insulation)

Air-tight certified as per ASTM E283-04

Suitable for wet locations

Refer to website for dimmer compatibility

Ideal operating temperature:

-20° to 40° C

5-year warranty

Finish

● **BK** Black

○ **WH** White

Accessories

RFP-DUO

Rough-in plate

REC-CC-EXT8FT

8-foot extension cable

REC-CC-EXT20FT

20-foot extension cable

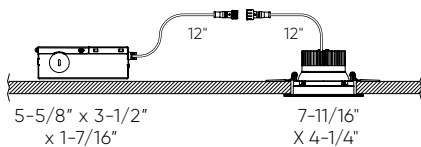
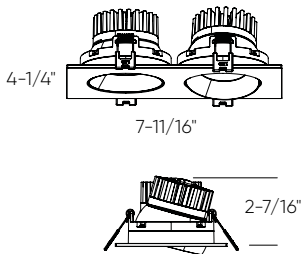
Multi-voltage ⚡

This product family offers multi-voltage drivers (120/277/347) that are dimmable using 0-10V dimming systems. Please note that longer lead times may apply for this option. Kindly reach out to your DALI representative for additional information and to confirm availability.

Note

Other color temperatures, finishes, and voltage options are available but may require minimum order quantities (MOQs) and longer lead times. Please contact your DALI representative for more information.

GBR35-CC-DUO 7-1/8" x 3-1/2" 



Facet

This versatile modern thin-trim 2, 4 and 6-inch gimbal with multi-directional adjustable swivel produces a bright glow with minimal glare as a result of its regressed light source. Ideal for general lighting or for areas requiring a directional light to showcase unique elements or to create dramatic wall-wash effects.



WET



LOW-GLARE



SWIVEL/DIRECTIONAL



Intertek



RATED



AIR TIGHT



COLOR TEMPERATURE



JA8

CERTIFIED



Model	Size	Watts	Delivered lumens	CRI	Color °T	Standard voltage	Multi-voltage ⚡
RGM2-CC	2"	8 W	660 lm	90	2700, 3000, 3500, 4000, 5000 K	120V, Triac dimming	MV: 120 / 277 / 347V, 0-10V dimming
RGM4-CC	4"	12 W	1200 lm				
RGM6-CC	6"	20 W	1500 lm				

Specifications

Every fixture includes a junction box with integrated dimmable driver
 Can be daisy chained (4" and 6" models only)
 Superior LED performance and lifespan
 Regressed light source
 Minimal heat emission
 Aluminum construction
 Switch-selectable CCT: 2700K/3000 K/3500 K/4000 K/5000 K
 IC certification (suitable for direct contact with insulation)
 Air-tight certified as per ASTM E283-04
 40° beam angle
 30° tilting, 360° rotation
 Suitable for wet locations
 Refer to website for dimmer compatibility
 Ideal operating temperature: -20° to 40° C
 5-year warranty

Finish

- **BK** Black
- **WH** White

Accessories

- RFP-UNI**
Universal rough-in plate
- RFP-23**
Rough-in plate for 2" model
- RFP-46**
Rough-in plate for 4" and 6" models
- REC-CC-EXT8FT**
8-foot extension cable
- REC-CC-EXT20FT**
20-foot extension cable

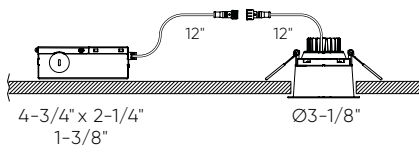
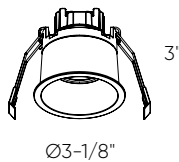
Multi-voltage ⚡

This product family offers multi-voltage drivers (120/277/347) that are dimmable using 0-10V dimming systems. Please note that longer lead times may apply for this option. Kindly reach out to your DALI representative for additional information and to confirm availability.

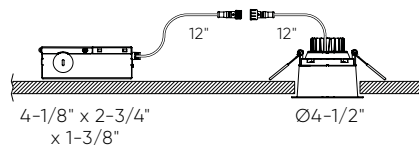
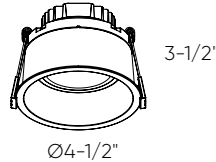
Note

Other color temperatures, finishes, and voltage options are available but may require minimum order quantities (MOQs) and longer lead times. Please contact your DALI representative for more information.

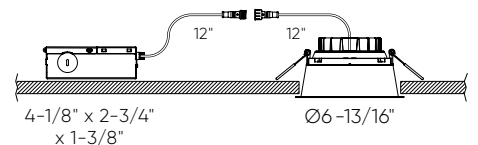
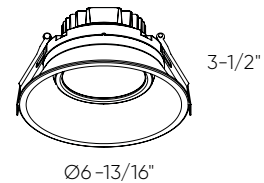
RGM2-CC Ø2-3/4" 



RGM4-CC Ø4-1/4" 



RGM6-CC Ø6-1/2" 



Pivot

When searching for lighting flexibility, look no further than our 3", 4" & 6" flat gimbal LED downlights. With powerful lumen output and the ability to direct light with a 360° rotation and a 90° tilt angle, this product will meet your every need.

NEW WET SWIVEL/DIRECTIONAL 90°
ETL Intertek IC RATED
AIR TIGHT 2700k 3000k 3500k 4000k 5000k COLOR TEMPERATURE*
ENERGY STAR JA8 CERTIFIED



*Models FGM2-CC , FGM3-CC , FGM4-CC, and FGM6-CC only

Model	Size	Watts	Delivered lumens	CRI	Color °T	Standard voltage	Multi-voltage ⚡
FGM4-3K	4"	9 W	700 lm	90	3000 K	120V, Triac dimming	MV: 120 / 277 / 347V, 0-10V dimming
FGM2-CC	2"	6 W	500 lm	90	2700, 3000, 3500, 4000, 5000 K	120V, Triac dimming	MV: 120 / 277 / 347V, 0-10V dimming
FGM3-CC	3"	6 W	570 lm				
FGM4-CC	4"	9 W	800 lm				
FGM6-CC	6"	14 W	1050 lm				

Specifications

Every fixture includes a junction box with integrated dimmable driver
 Can be daisy chained
 Superior LED performance and lifespan
 90° tilting, 360° rotation
 Minimal heat emission
 Aluminum construction
 Switch-selectable CCT: 2700K/3000 K/3500 K/4000 K/5000 K*
 Low profile
 40° beam spread
 IC certification (suitable for direct contact with insulation)
 Air-tight certified as per ASTM E283-04
 Suitable for wet locations
 Refer to website for dimmer compatibility
 Ideal operating temperature: -20° to 40° C
 5-year warranty

Finish

- **BK** Black
- **SN** Satin Nickel (FGM4, FGM6 only)
- **WH** White

Accessories

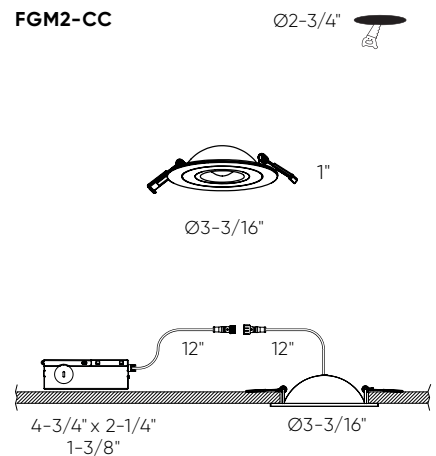
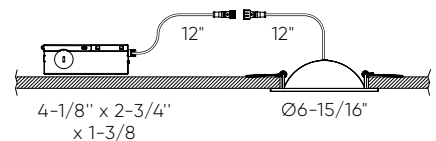
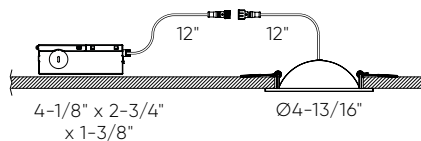
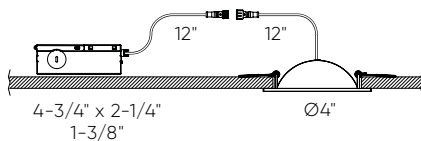
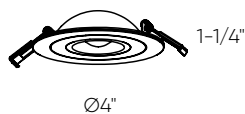
- RFP-UNI**
Universal rough-in plate
- RFP-23**
Rough-in plate for 3" model
- RFP-46**
Rough-in plate for 4" and 6" models
- REC-3K-EXT8FT (FGM4-3K)**
8-foot extension cable
- REC-3K-EXT20FT (FGM4-3K)**
20-foot extension cable
- REC-CC-EXT8FT (FGMX-CC)**
8-foot extension cable
- REC-CC-EXT20FT (FGMX-CC)**
20-foot extension cable

Multi-voltage ⚡

This product family offers multi-voltage drivers (120/277/347) that are dimmable using 0-10V dimming systems. Please note that longer lead times may apply for this option. Kindly reach out to your DALI representative for additional information and to confirm availability.

Note

Other color temperatures, finishes, and voltage options are available but may require minimum order quantities (MOQs) and longer lead times. Please contact your DALI representative for more information.



Pivot square

When searching for lighting flexibility, look no further than our 4-inch square flat gimbal LED downlight. With a powerful lumen output and the ability to direct light through a 360° rotation and a 90° tilt angle, this product will meet all your lighting needs.

NEW

WET SWIVEL/DIRECTIONAL 90°

ETL Intertek IC RATED

AIR TIGHT

2700k 3000k 3500k 4000k 5000k

COLOR TEMPERATURE*

ENERGY STAR

JA8 CERTIFIED



Model	Size	Watts	Delivered lumens	CRI	Color °T	Standard voltage	Multi-voltage ⚡
FGM4SQ-CC	4"	9 W	800 lm	90	2700, 3000, 3500, 4000, 5000 K	120V, Triac dimming	MV: 120 / 277 / 347V, 0-10V dimming

Specifications

Every fixture includes a junction box with integrated dimmable driver
 Can be daisy chained
 Superior LED performance and lifespan
 90° tilting, 360° rotation
 Minimal heat emission
 Aluminum construction
 Switch-selectable CCT: 2700K/3000 K/3500 K/4000 K/5000 K*
 Low profile
 40° beam spread
 IC certification (suitable for direct contact with insulation)
 Air-tight certified as per ASTM E283-04
 Suitable for wet locations
 Refer to website for dimmer compatibility
 Ideal operating temperature: -20° to 40° C
 5-year warranty

Finish

- **BK** Black
- **WH** White

Accessories

- RFP-UNI**
Universal rough-in plate
- RFP-46**
Rough-in plate
- REC-CC-EXT8FT**
8-foot extension cable
- REC-CC-EXT20FT**
20-foot extension cable

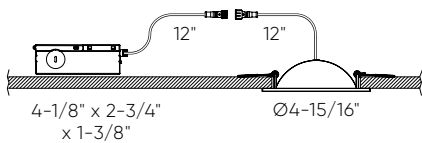
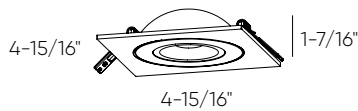
Multi-voltage ⚡

This product family offers multi-voltage drivers (120/277/347) that are dimmable using 0-10V dimming systems. Please note that longer lead times may apply for this option. Kindly reach out to your DALI representative for additional information and to confirm availability.

Note

Other color temperatures, finishes, and voltage options are available but may require minimum order quantities (MOQs) and longer lead times. Please contact your DALI representative for more information.

FGM4SQ



Pivot duo

With an infinite choice of beam direction, Pivot Duo provides a discrete yet functional solution to general or accent lighting within your space.

UPGRADE



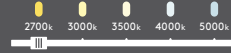
WET



SWIVEL/DIRECTIONAL



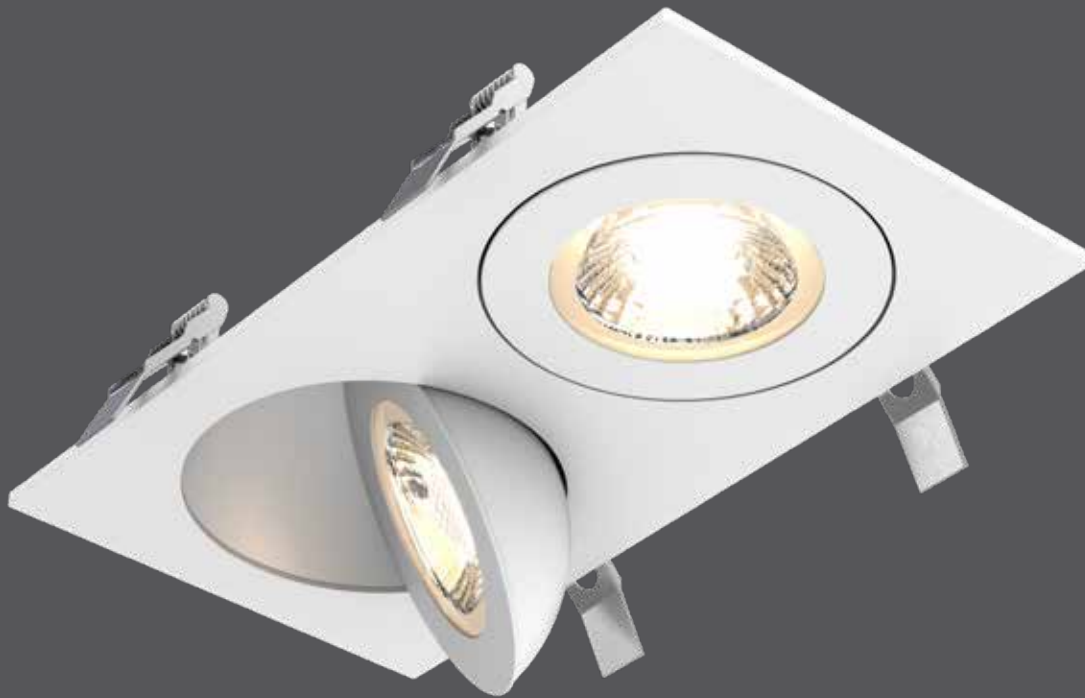
IC RATED



COLOR TEMPERATURE



JA8 CERTIFIED



Model	Size	Watts	Delivered lumens	CRI	Color °T	Standard voltage	Multi-voltage ⚡
FGM4-CC-DUO	4"	18 W	1475 lm	90	2700, 3000, 3500, 4000, 5000 K	120V, Triac dimming	MV: 120 / 277 / 347V, 0-10V dimming

Specifications

Includes a junction box with integrated dimmable driver
 Can be daisy chained
 Superior LED performance and lifespan
 90° tilting, 360° rotation
 Minimal heat emission
 Aluminum construction
 Switch-selectable CCT: 2700K/3000 K/3500 K/4000 K/5000 K
 Low profile
 40° beam spread
 IC certification (suitable for direct contact with insulation)
 Air-tight certified as per ASTM E283-04
 Suitable for wet locations
 Refer to website for dimmer compatibility
 Ideal operating temperature: -20° to 40° C
 5-year warranty

Finish

- **BK** Black
- **WH** White

Accessories


- RFP-DUO**
Rough-in plate
- REC-CC-EXT8FT**
8-foot extension cable
- REC-CC-EXT20FT**
20-foot extension cable

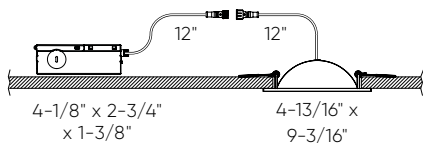
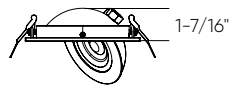
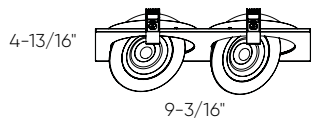
Multi-voltage ⚡

This product family offers multi-voltage drivers (120/277/347) that are dimmable using 0-10V dimming systems. Please note that longer lead times may apply for this option. Kindly reach out to your DALI representative for additional information and to confirm availability.

Note

Other color temperatures, finishes, and voltage options are available but may require minimum order quantities (MOQs) and longer lead times. Please contact your DALI representative for more information.

FGM4-CC-DUO 8-5/8" X 4-3/4" 



Scope

There are moments when you want the ability to direct light as you please. With our LED Gimbal recessed fixture, this has now become a reality with the easiest of installations.

NEW WET ENERGY STAR Intertek IC RATED JA8 CERTIFIED

30° SWIVEL/DIRECTIONAL AIR TIGHT

2700k 3000k 3500k 4000k 5000k COLOR TEMPERATURE



Model	Size	Watts	Delivered lumens	CRI	Color °T	Standard voltage	Multi-voltage ⚡
GMB2-CC	2"	8 W	725 lm	90	2700, 3000, 3500, 4000, 5000 K	120V, Triac dimming	MV: 120 / 277 / 347V, 0-10V dimming
LEDDOWNG3-CC	3"	8 W	680 lm				
GMB4-CC	4"	11 W	810 lm				

Specifications

Every fixture includes a junction box with integrated dimmable driver
 Can be daisy chained (3" and 4" models only)
 Superior LED performance and lifespan
 30° tilting, 360° rotation
 Minimal heat emission
 Aluminum construction
 Switch-selectable CCT: 2700K/3000 K/3500 K/4000 K/5000 K
 Low profile
 40° beam spread
 IC certification (suitable for direct contact with insulation)
 Air-tight certified as per ASTM E283-04
 JA8 Certified
 Suitable for wet locations
 Refer to website for dimmer compatibility
 Ideal operating temperature: -20° to 40° C
 FT6 rated cable
 5-year warranty

Finish

- **BK** Black
- **SN** Satin Nickel (3" and 4" models only)
- **WH** White

Accessories

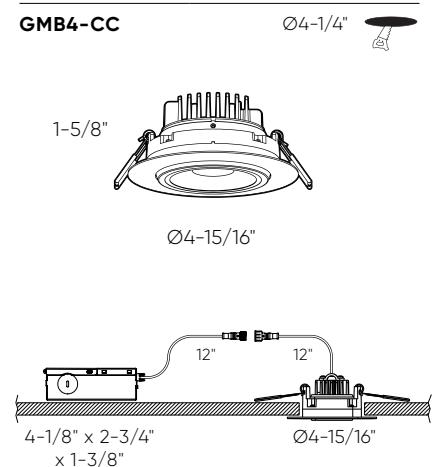
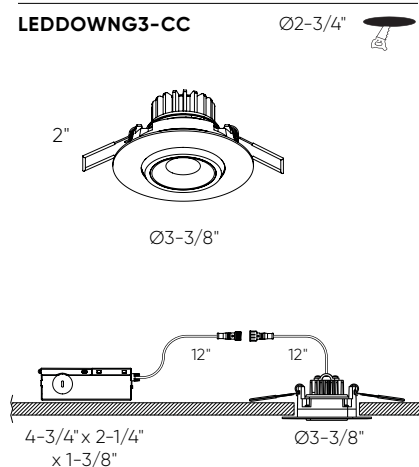
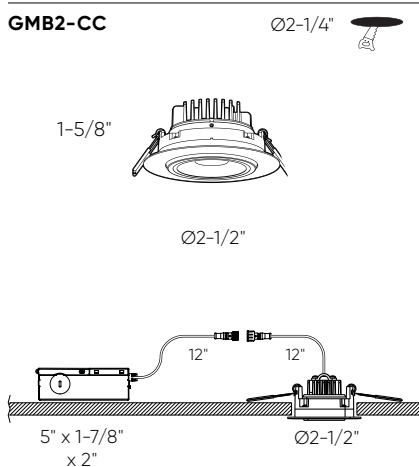
- RFP-UNI**
Universal rough-in plate (3" and 4" models)
- RFP-GMB2**
Rough-in plate (GMB2-CC)
- RFP-23**
Rough-in plate (LEDDOWNG3-CC)
- RFP-46**
Rough-in plate (GMB4-CC)
- REC-CC-EXT8FT**
8-foot extension cable
- REC-CC-EXT20FT**
20-foot extension cable

Multi-voltage ⚡

This product family offers multi-voltage drivers (120/277/347) that are dimmable using 0-10V dimming systems. Please note that longer lead times may apply for this option. Kindly reach out to your DALI representative for additional information and to confirm availability.

Note

Other color temperatures, finishes, and voltage options are available but may require minimum order quantities (MOQs) and longer lead times. Please contact your DALI representative for more information.



Aperture



From residential use to art galleries & boutiques, our multi-function downlight will check all the boxes. You can choose between recessed or spotlight, control the beam angle, and tilt the head 90 degrees.



Model	Size	Watts	Delivered lumens	CRI	Color °T	Voltage
MFD03-CC	3"	8 W	600 lm	90	2700, 3000, 3500, 4000, 5000 K	120 V

Specifications

Over 50,000 hours of service life
 Every fixture includes a junction box with integrated dimmable driver
 Switch-selectable CCT: 2700 K/3000 K/3500 K/4000 K/5000 K
 Can be daisy chained
 Superior LED performance and lifespan
 90° tilting, 360° rotation
 Adjustable beam angle from 30° to 60°
 IC certification (suitable for direct contact with insulation)
 Air-tight certified as per ASTM E283-04
 JA8 Certified
 Refer to website for dimmer compatibility
 5-year warranty

Finish

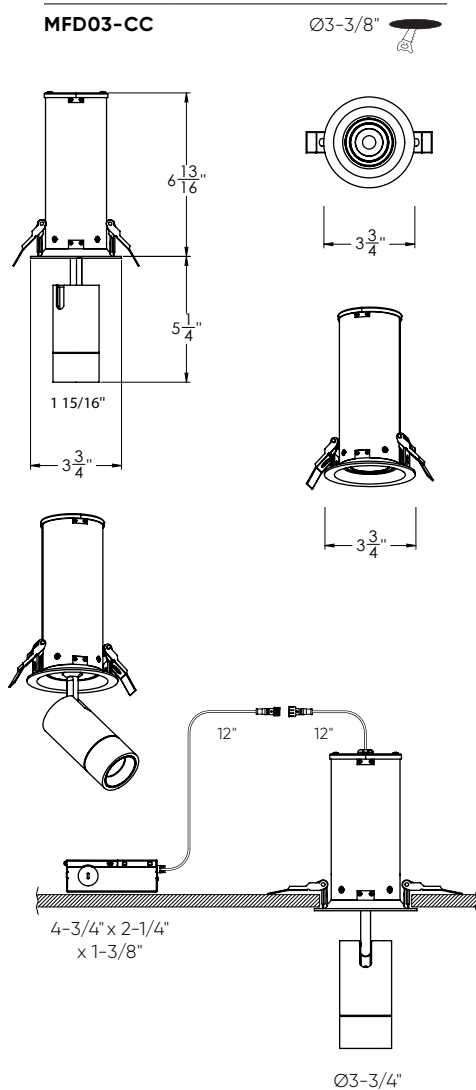
- **BK** Black
- **WH** White

Accessories

- RFP-UNI**
Universal rough-in plate
- REC-CC-EXT8FT**
8-foot extension cable
- REC-CC-EXT20FT**
20-foot extension cable

Note

Other color temperatures, finishes, and voltage options are available but may require minimum order quantities (MOQs) and longer lead times. Please contact your DALI representative for more information.



Pinpoint series

This series provides a contemporary aesthetic and functional design to your space. Available in various styles, and framed by a powder-coat finish, these high-output fixtures deliver crisp, low-glare light.



DRY



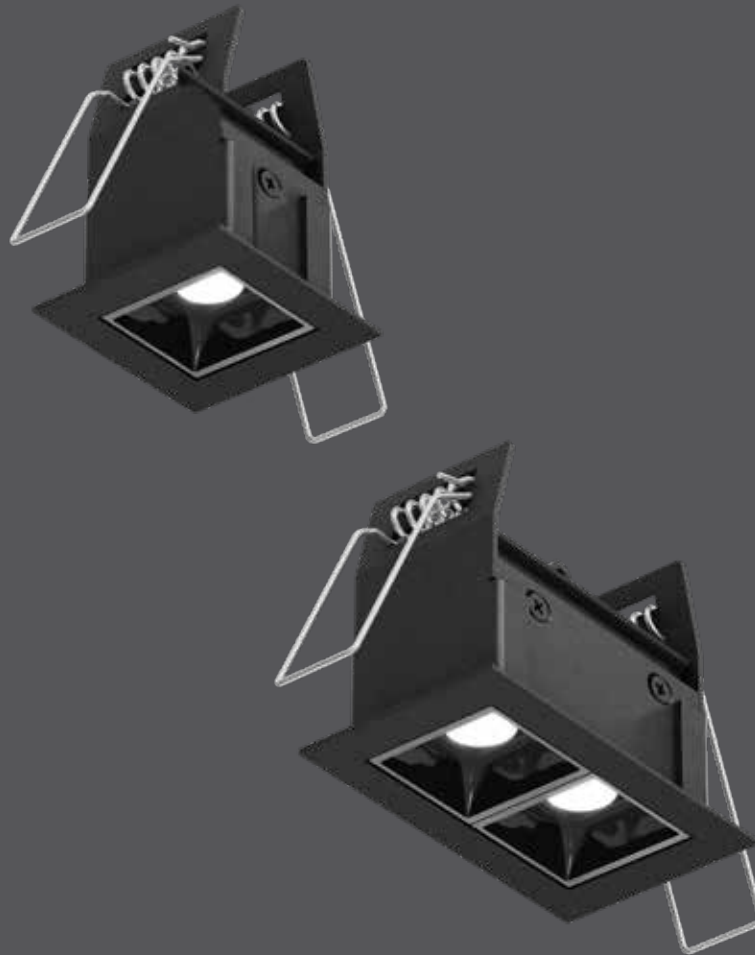
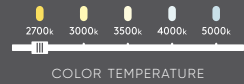
LOW-GLARE



ETL US
Intertek



IC
RATED



Model	Size	Watts	Delivered lumens	CRI	Color °T	Voltage
MSL1-CC	2"	3 W	120 lm	90	2700, 3000, 3500,	120 V
MSL2-CC	3"	6 W	320 lm		4000, 5000 K	

Specifications

Over 50,000 hours of service life
 Every fixture includes a junction box with integrated dimmable driver
 Switch-selectable CCT: 2700 K/3000 K/3500 K/4000 K/5000 K
 Can be daisy chained
 Superior LED performance and lifespan
 Regressed light source
 Minimal heat emission
 Aluminum construction
 Suitable for dry locations
 Refer to website for dimmer compatibility
 5-year warranty

Accessories

RFP-MSL1
 Rough-in plate for MSL1
RFP-MSL2
 Rough-in plate for MSL2
REC-CC-EXT8FT
 8-foot extension cable
REC-CC-EXT20FT
 20-foot extension cable

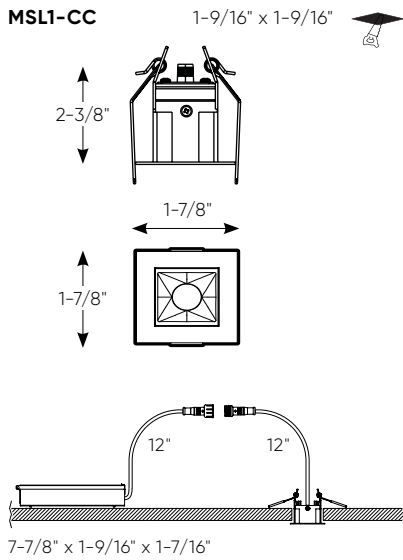
Finish

- **BK** Black
- **AWH** White

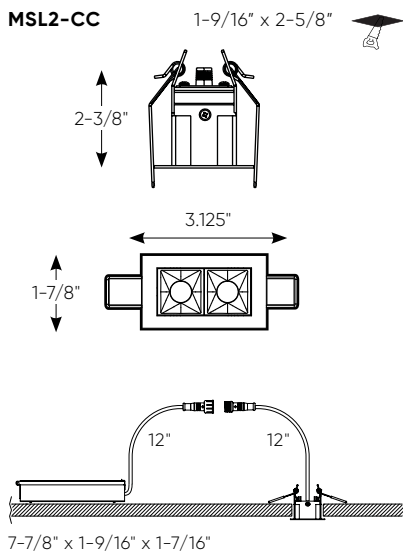
Note

Other color temperatures, finishes, and voltage options are available but may require minimum order quantities (MOQs) and longer lead times. Please contact your DALI representative for more information.

MSL1-CC 1-9/16" x 1-9/16"



MSL2-CC 1-9/16" x 2-5/8"



Pinpoint series

This series provides a contemporary aesthetic and functional design to your space. Available in various styles, and framed by a powder-coat finish, these high-output fixtures deliver crisp, low-glare light. Available with pivoting multi-directional* optics or traditional fixed downlight.



DRY



30°
SWIVEL/DIRECTIONAL*



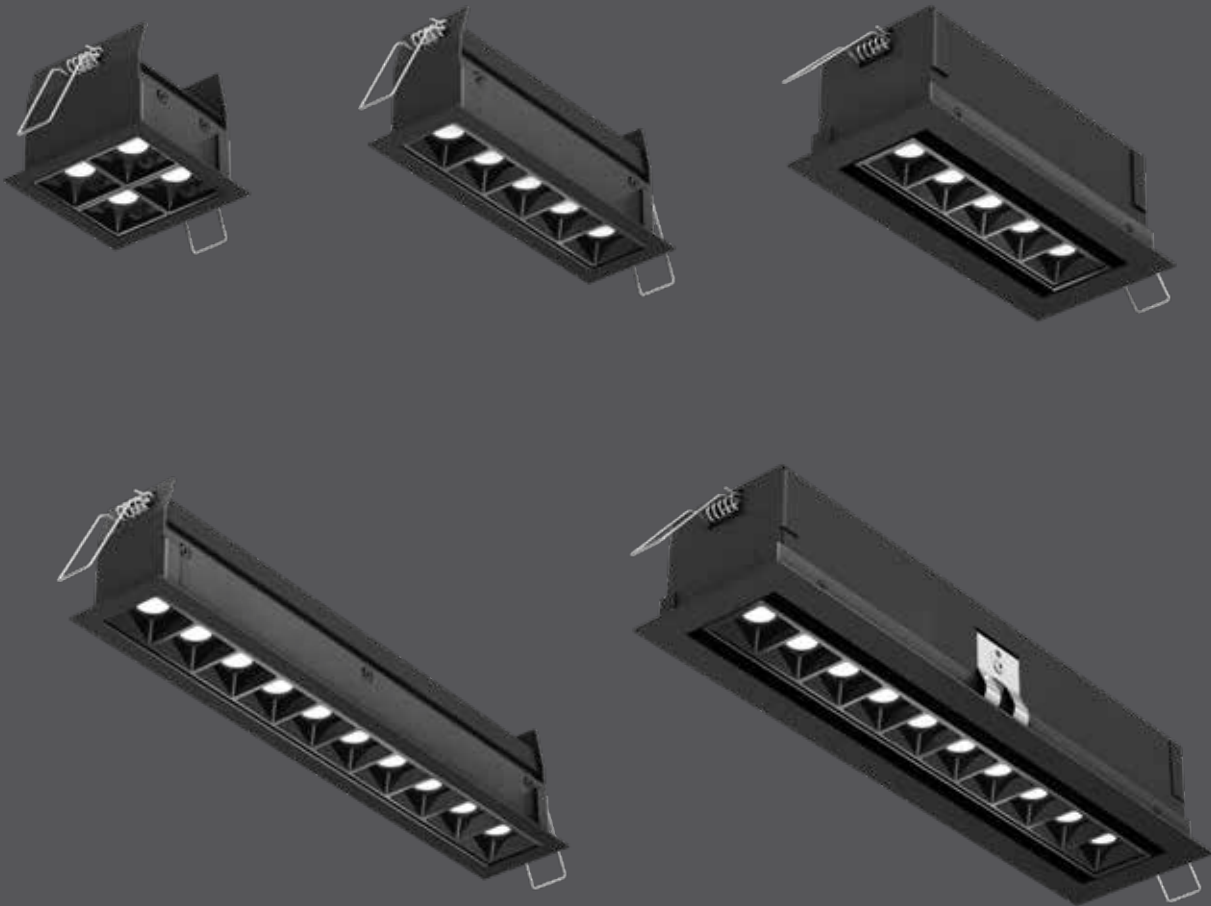
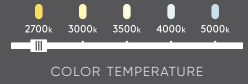
LOW-GLARE



Intertek



IC
RATED



*Models MSL5G-CC and MSL10G-CC only

Model	Size	Watts	Delivered lumens	CRI	Color °T	Voltage
MSL4-CC	3"	12 W	600 lm	90	2700, 3000, 3500, 4000, 5000 K	120 V
MSL5-CC	7"	14 W	800 lm			
MSL5G-CC	7"	14 W	800 lm			
MSL10-CC	13"	24 W	1300 lm			
MSL10G-CC	13"	24 W	1300 lm			

Specifications

Every fixture includes a junction box with integrated dimmable driver
 Switch-selectable CCT: 2700 K/3000 K/3500 K/4000 K/5000 K
 Can be daisy chained
 Superior LED performance and lifespan
 Regressed light source
 Aluminum construction

30 degree swivel (models MSL5G and MSL10G only)
 IC rated
 Low-glare
 Suitable for dry locations
 Refer to website for dimmer compatibility
 5-year warranty

Accessories

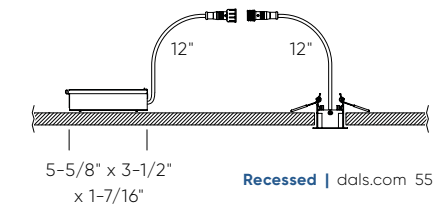
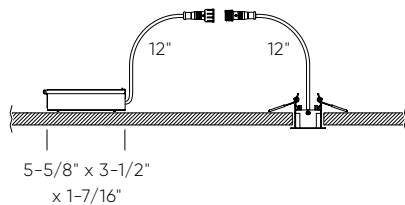
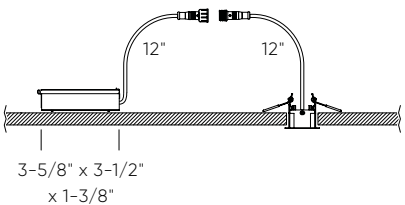
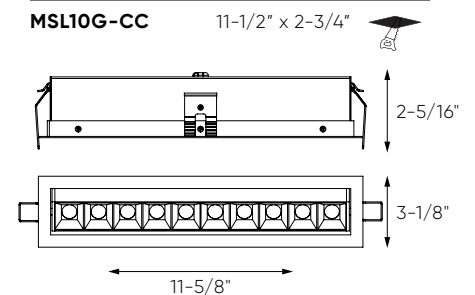
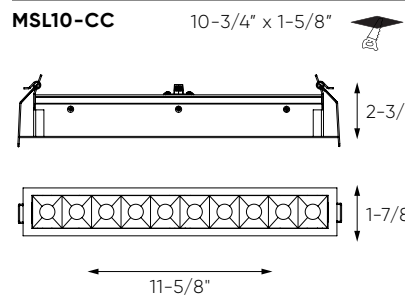
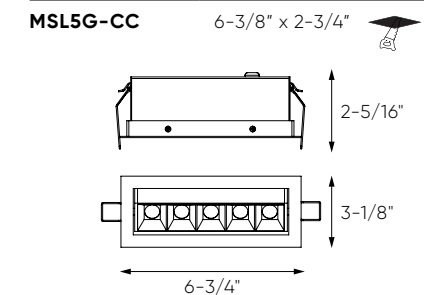
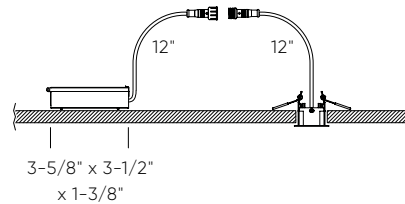
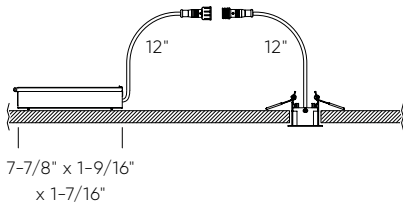
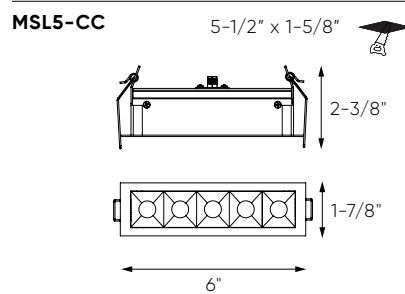
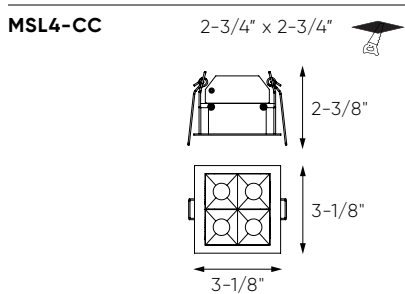
- RFP-MSL4**
Rough-in plate for MSL4
- RFP-MSL5**
Rough-in plate for MSL5
- RFP-MSL5G**
Rough-in plate for MSL5G
- RFP-MSL10**
Rough-in plate for MSL10
- RFP-MSL10G**
Rough-in plate for MSL10G
- REC-CC-EXT8FT**
8-foot extension cable
- REC-CC-EXT20FT**
20-foot extension cable

Finish

- BK** Black
- WH** White

Note

Other color temperatures, finishes, and voltage options are available but may require minimum order quantities (MOQs) and longer lead times. Please contact your DALI representative for more information.



RGR series

When choosing a recessed fixture, eliminating glare is a priority. The unique positioning of the LED module in this series of downlights will meet that important need.

NEW WET LOW-GLARE ENERGY STAR IC RATED AIR TIGHT JA8 CERTIFIED

2700k 3000k 3500k 4000k 5000k
COLOR TEMPERATURE

Intertek



Model	Size	Watts	Delivered lumens	CRI	Color °T	Standard voltage	Multi-voltage ⚡
RGR1-CC	1"	6 W	500 lm	90	2700, 3000, 3500, 4000, 5000 K	120V, Triac dimming	MV: 120 / 277 / 347V, 0-10V dimming
RGR2-CC	2"	8 W	600 lm				
RGR2HP-CC	2"	15 W	1080 lm				
RGR4-CC	4"	14 W	1100 lm				
RGR4HP-CC	4"	20 W	1560 lm				
RGR6-CC	6"	20 W	1600 lm				

Specifications

Every fixture includes a junction box with integrated dimmable driver
 Regressed light source
 Minimal heat emission
 Aluminum construction
 Switch-selectable CCT: 2700K/3000 K/3500 K/4000 K/5000 K
 IC certification (suitable for direct contact with insulation)
 Air-tight certified as per ASTM E283-04
 40° beam angle
 Suitable for wet locations
 Refer to website for dimmer compatibility
 Ideal operating temperature: -20° to 40° C
 5-year warranty

Finish

- **BK** Black
- **WH** White

Accessories

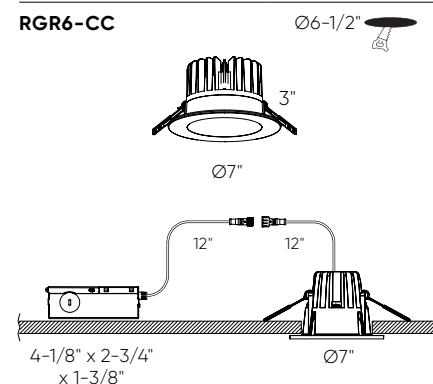
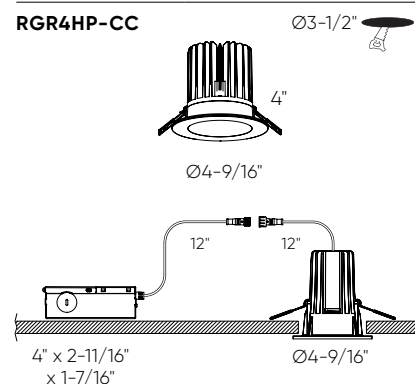
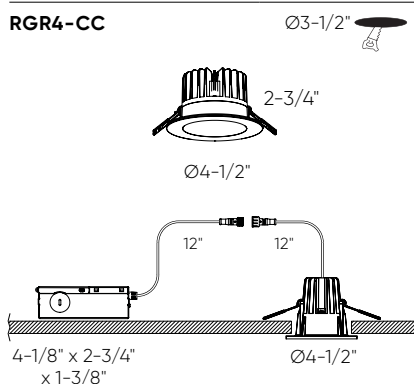
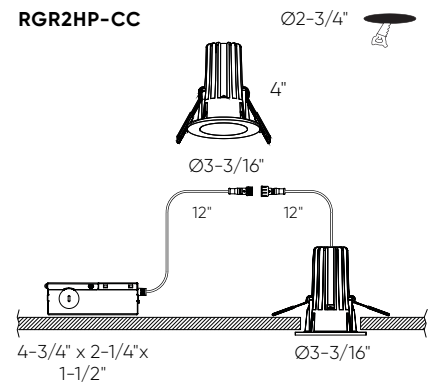
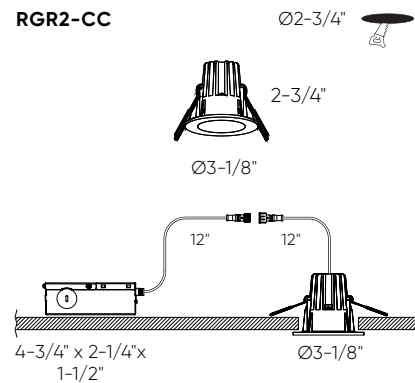
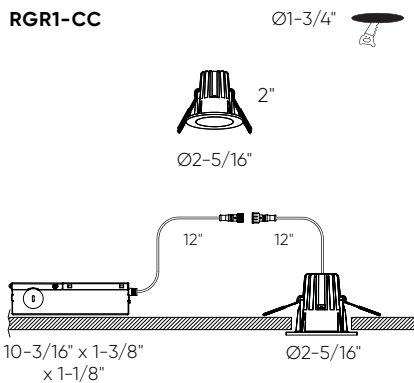
- RFP-23**
Rough-in plate for RGR2
- RFP-35**
Rough-in plate for RGR4
- RFP-46**
Rough-in plate for RGR6
- REC-CC-EXT8FT**
8-foot extension cable
- REC-CC-EXT20FT**
20-foot extension cable

Multi-voltage ⚡

This product family offers multi-voltage drivers (120/277/347) that are dimmable using 0-10V dimming systems. Please note that longer lead times may apply for this option. Kindly reach out to your DALI representative for additional information and to confirm availability.

Note

Other color temperatures, finishes, and voltage options are available but may require minimum order quantities (MOQs) and longer lead times. Please contact your DALI representative for more information.



RGR square series

When choosing a recessed fixture, eliminating glare is a priority. The unique positioning of the LED module in this series of downlights will meet that important need.

UPGRADE



WET



LOW-GLARE



ENERGY STAR



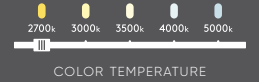
IC RATED



AIR TIGHT



CERTIFIED



Model	Size	Watts	Delivered lumens	CRI	Color °T	Standard voltage	Multi-voltage ⚡
RGR2SQ-CC	2"	8 W	600 lm	90	2700, 3000, 3500, 4000, 5000 K	120V, Triac dimming	MV: 120 / 277 / 347V, 0-10V dimming
RGR4SQ-CC	4"	14 W	1100 lm				
RGR6SQ-CC	6"	20 W	1600 lm				

Specifications

Every fixture includes a junction box with integrated dimmable driver
 Can be daisy chained (4" and 6" models only)
 Superior LED performance and lifespan
 Regressed light source
 Minimal heat emission
 Aluminum construction
 Switch-selectable CCT: 2700K / 3000 K / 3500 K / 4000 K / 5000 K
 IC certification (suitable for direct contact with insulation)
 Air-tight certified as per ASTM E283-04
 40° beam angle
 Suitable for wet locations
 Refer to website for dimmer compatibility
 JA8 Certified
 Ideal operating temperature: -20° to 40° C
 5-year warranty

Finish

- **BK** Black
- **SN** Satin Nickel
- **WH** White

Accessories

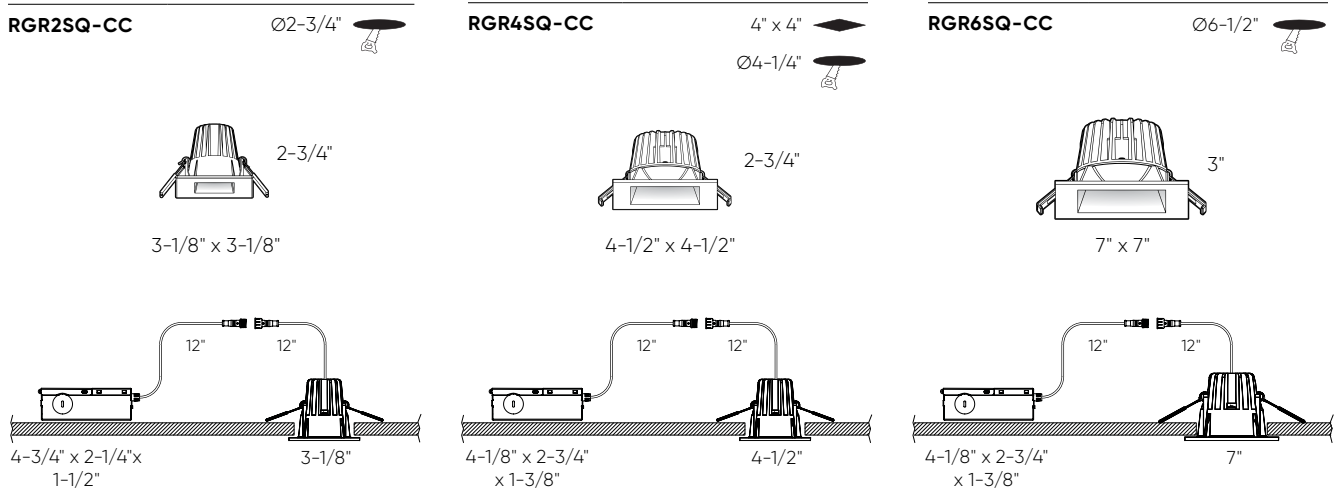
- RFP-23**
Rough-in plate for RGR2SQ
- RFP-46**
Rough-in plate for RGR4SQ & RGR6SQ
- REC-CC-EXT8FT**
8-foot extension cable
- REC-CC-EXT20FT**
20-foot extension cable

Multi-voltage ⚡

This product family offers multi-voltage drivers (120/277/347) that are dimmable using 0-10V dimming systems. Please note that longer lead times may apply for this option. Kindly reach out to your DALI representative for additional information and to confirm availability.

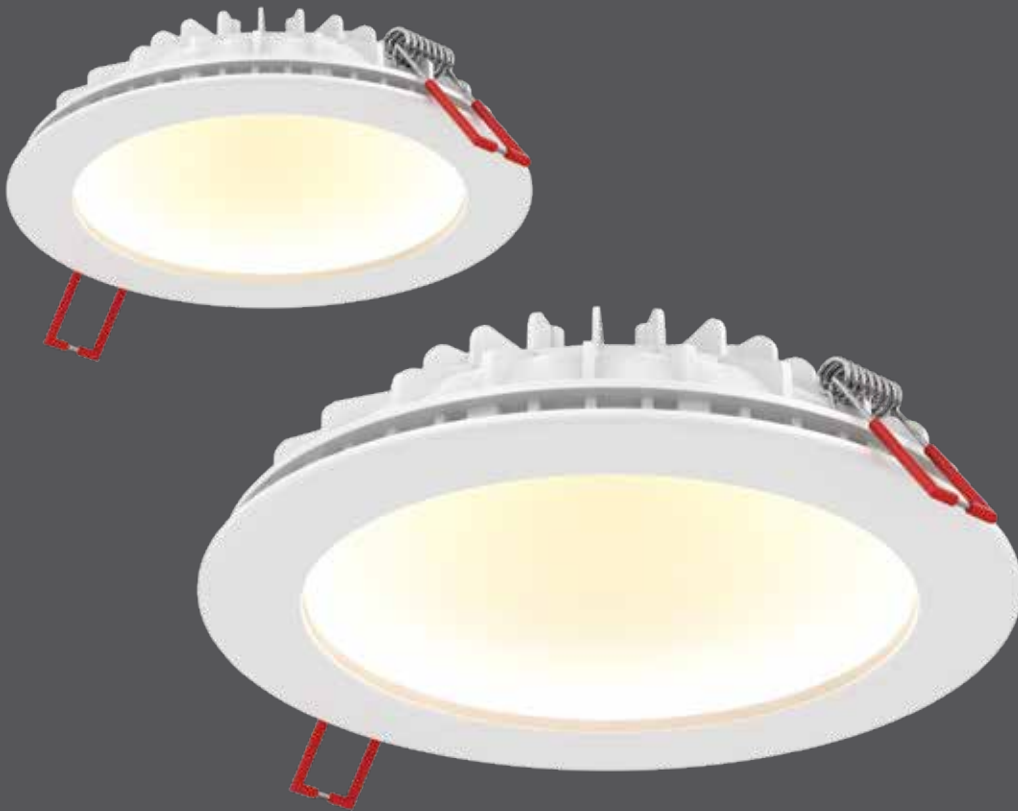
Note

Other color temperatures, finishes, and voltage options are available but may require minimum order quantities (MOQs) and longer lead times. Please contact your DALI representative for more information.



Indirect

Imagine being able to create the perfect mood when dimming your lights. This is now possible with our Dim to Warm concept, generating a warm, exquisite glow to set the tone for your evening.



Model	Size	Watts	Delivered lumens	CRI	Color °T	Voltage
IND4-DW	4"	9 W	500 lm	80	3000 K - 2200 K	120 V
IND6-DW	6"	12 W	750 lm			

Specifications

Every fixture includes a junction box with integrated dimmable driver
 Can be daisy chained
 Over 50,000 hours of service life
 Dim-to-warm technology, dims from 3000 K to 2200 K to mimic incandescent light
 Smooth 360° wide spread
 Minimal heat emission
 Dome reflector
 110° beam spread
 Indirect lighting design with glare reduction

Aluminum construction
 IC certification (suitable for direct contact with insulation)
 Air-tight certified as per ASTM E283-04
 Suitable for damp locations
 Refer to website for dimmer compatibility
 5-year warranty

Finish

○ **WH** White

Accessories

RFP-UNI

Universal rough-in plate

RFP-46

Rough-in plate for 4" and 6" models

REC-3K-EXT8FT

8-foot extension cable

REC-3K-EXT20FT

20-foot extension cable

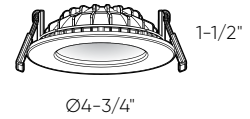
Note

Other color temperatures, finishes, and voltage options are available but may require minimum order quantities (MOQs) and longer lead times. Please contact your DALI representative for more information.



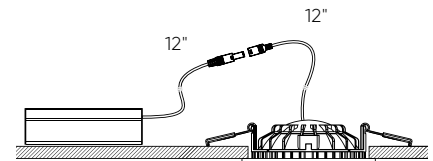
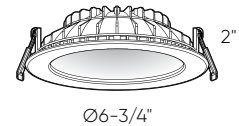
IND4-DW

Ø4-3/8"



IND6-DW

Ø6-1/4"



5-1/16" x 3"
x 1-5/16"

Hilux

Dals' new high-powered recessed downlight is a go-to for your commercial projects. With its five color temperatures to choose from, a cast aluminum housing, high lumen output, and indoor/outdoor rating, this can be installed just about anywhere. From clinics to schools and hotels to boutiques, this is the only recessed fixture you will need.

WET LOW-GLARE IC RATED AIR TIGHT ETL Intertek

2700k 3000k 3500k 4000k 5000k

COLOR TEMPERATURE

JA8 CERTIFIED ENERGY STAR



Model	Size	Watts	Delivered lumens	CRI	Color °T	Standard voltage	Multi-voltage ⚡
HPD4-CC	4"	20 W	1415 lm	90	2700, 3000, 3500, 4000, 5000 K	120V, Triac dimming	MV: 120 / 277 / 347V, 0-10V dimming
HPD6-CC	6"	30 W	2100 lm				
HPD8-CC	8"	40 W	2600 lm				

Specifications

Every fixture includes a junction box with an integrated driver
 Over 50,000 hours service life
 Switch-selectable CCT: 2700 K/3000 K/3500 K/4000 K/5000 K
 Smooth 360° wide spread
 90° beam angle
 Cast aluminum construction
 Suitable for wet locations
 Refer to website for dimmer compatibility
 IC certification (suitable for direct contact with insulation)
 Air-tight certified as per ASTM E283-04
 5-year warranty

Finish

- **BK** Black (HPD4 and HPD6 only)
- **WH** White

Accessories

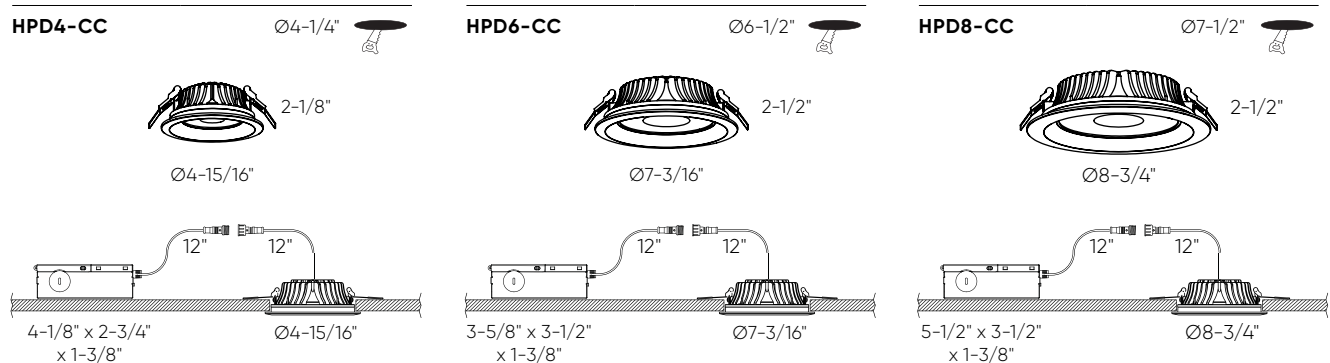
- RFP-UNI**
Universal rough-in plate
- RFP-46 (HPD4, HPD6)**
Rough-in plate
- RFP-58 (HPD8)**
Rough-in plate
- REC-CC-EXT8FT**
8-foot extension cable
- REC-CC-EXT20FT**
20-foot extension cable

Multi-voltage ⚡

This product family offers multi-voltage drivers (120/277/347) that are dimmable using 0-10V dimming systems. Please note that longer lead times may apply for this option. Kindly reach out to your DALI representative for additional information and to confirm availability.

Note

Other color temperatures, finishes, and voltage options are available but may require minimum order quantities (MOQs) and longer lead times. Please contact your DALI representative for more information.



Etch

The Etch range of circular recessed downlights, characterized by a deep-set LED position, provides a functional solution to general lighting without the uncomfortable glare.



WET



LOW-GLARE



Intertek



IC RATED



AIR TIGHT



COLOR TEMPERATURE



Model	Size	Watts	Delivered lumens	CRI	Color °T	Standard voltage	Multi-voltage ⚡
DDP4-CC	4"	15 W	1000 lm	90	2700, 3000, 3500, 4000, 5000 K	120V, Triac dimming	MV: 120 / 277 / 347V, 0-10V dimming
DDP6-CC	6"	20 W	1500 lm				

Specifications

Every fixture includes a junction box with an integrated driver
 Over 50,000 hours of service life
 Can be daisy chained
 Smooth 360° wide spread
 125° beam angle
 Frosted lens
 Edge lit technology
 Cast aluminum construction
 Switch-selectable CCT: 2700 K/3000 K/3500 K/4000 K/5000 K
 IC certification (suitable for direct contact with insulation)
 Air-tight certified as per ASTM E283-04
 Ideal operating temperature: -20° to 40° C
 Suitable for wet locations
 Refer to website for dimmer compatibility
 5-year warranty

Finish

○ **WH** White

Accessories

RFP-46

Rough-in plate

RFP-UNI

Universal rough-in plate

DDP4-TRIM-BK

4" recessed panel trim in black

DDP6-TRIM-BK

6" recessed panel trim in black

REC-CC-EXT8FT

8-foot extension cable

REC-CC-EXT20FT

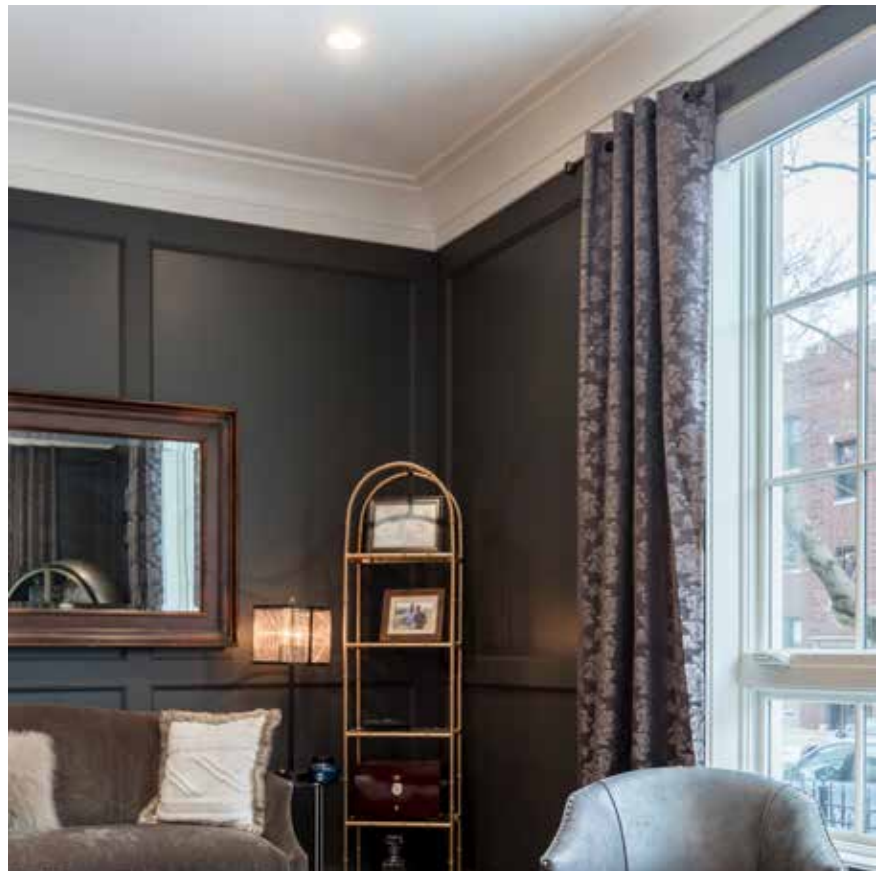
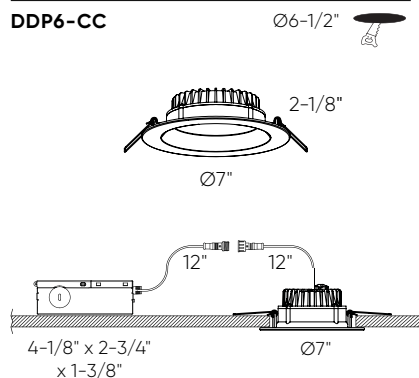
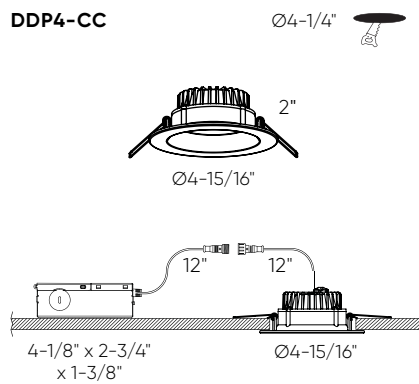
20-foot extension cable

Multi-voltage ⚡

This product family offers multi-voltage drivers (120/277/347) that are dimmable using 0-10V dimming systems. Please note that longer lead times may apply for this option. Kindly reach out to your DALI representative for additional information and to confirm availability.

Note

Other color temperatures, finishes, and voltage options are available but may require minimum order quantities (MOQs) and longer lead times. Please contact your DALI representative for more information.



Notch

The Notch series of recessed downlights is characterized by a deep-set LED position which greatly reduces glare, neatly packaged in a price-conscious solution to general lighting.

AIR TIGHT WET LOW-GLARE ETL Intertek IC RATED

2700k 3000k 3500k 4000k 5000k
COLOR TEMPERATURE

JA8 CERTIFIED ENERGY STAR



Model	Size	Watts	Delivered lumens	CRI	Color °T	Standard voltage	Multi-voltage ⚡
DRR2-CC	2"	9 W	500 lm	90	2700, 3000, 3500, 4000, 5000 K	120V, Triac dimming	MV: 120 / 277 / 347V, 0-10V dimming
DRR4-CC	4"	11 W	800 lm				
DRR6-CC	6"	14 W	1000 lm				

Specifications

Every fixture includes a junction box with an integrated driver
 Over 50,000 hours of service life
 Can be daisy chained
 Smooth 360° wide spread
 100° beam angle
 Frosted lens
 Edge lit technology
 Switch-selectable CCT: 2700 K/3000 K/3500 K/4000 K/5000 K
 IC certification (suitable for direct contact with insulation)
 Air-tight certified as per ASTM E283-04
 Ideal operating temperature: -20° to 40° C
 Suitable for wet locations
 Refer to website for dimmer compatibility
 5-year warranty

Finish

○ **WH** White

Accessories

RFP-23

Rough-in plate (DRR2)

RFP-46

Rough-in plate (DRR4, DRR6)

RFP-UNI

Universal rough-in plate (DRR4, DRR6)

DRR4-TRIM-BK

4" recessed panel trim in black

DRR4-TRIM-SBA

4" recessed panel trim in sandblasted aluminum

DRR6-TRIM-BK

6" recessed panel trim in black

DRR6-TRIM-SBA

6" recessed panel trim in sandblasted aluminum

REC-CC-EXT8FT

8-foot extension cable

REC-CC-EXT20FT

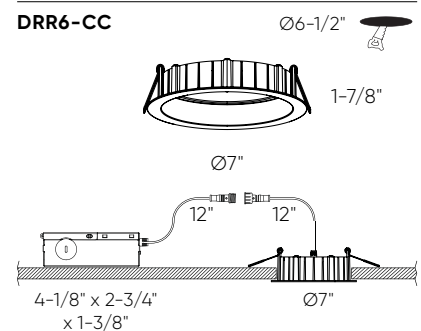
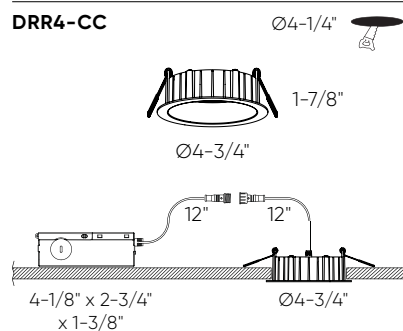
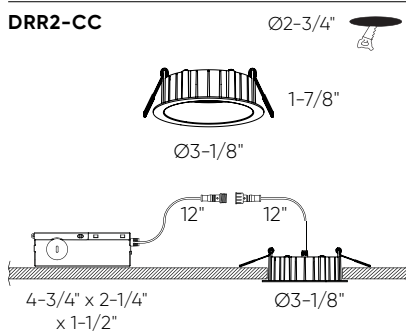
20-foot extension cable

Multi-voltage ⚡

This product family offers multi-voltage drivers (120/277/347) that are dimmable using 0-10V dimming systems. Please note that longer lead times may apply for this option. Kindly reach out to your DALI representative for additional information and to confirm availability.

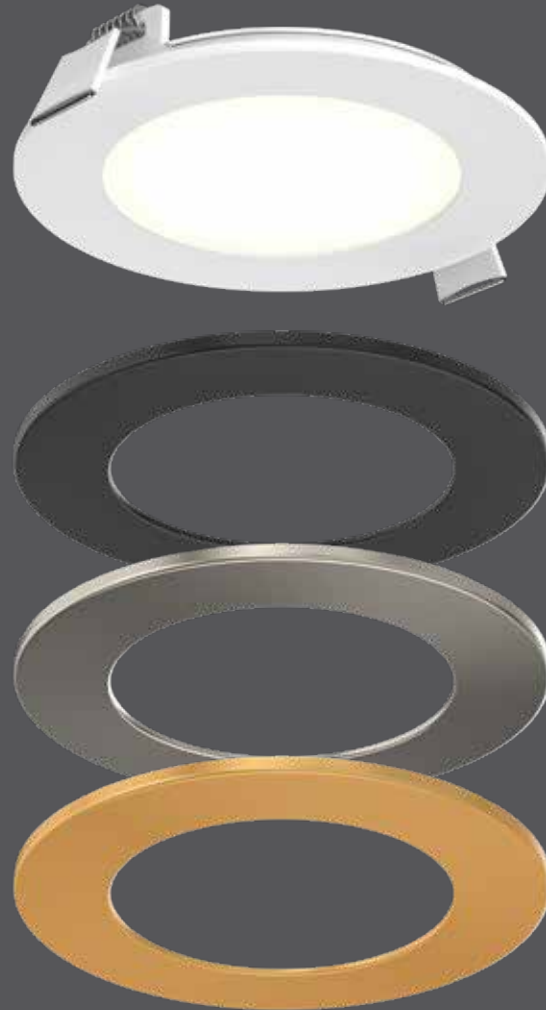
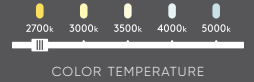
Note

Other color temperatures, finishes, and voltage options are available but may require minimum order quantities (MOQs) and longer lead times. Please contact your DALI representative for more information.



Mystique

If you are looking for a sleek, attractive LED option for your ceilings, then our color-changing panel light with interchangeable trims is the perfect choice. With the flick of a switch, you have the ability to select one of three pre-set color temperatures – 2700K, 3000K, 3500K, 4000K, and 5000K – convenience at your fingertips.



Model	Size	Watts	Delivered lumens	CRI	Color °T	Standard voltage	Multi-voltage ⚡
SPN4-CC	4"	11 W	800 lm	90	2700, 3000, 3500, 4000, 5000 K	120V, Triac dimming	MV: 120 / 277 / 347V, 0-10V dimming
SPN6-CC	6"	14 W	1100 lm				

Specifications

Every fixture includes a junction box with integrated dimmable driver
 Can be daisy chained
 Minimal heat emission
 Aluminum construction
 IC certification (suitable for direct contact with insulation)
 Air-tight certified as per ASTM E283-04
 Over 50,000 hours of service life
 3 interchangeable trim colors included
 Switch-selectable CCT: 2700 K/3000 K/3500 K/4000 K/5000 K
 110° beam angle
 Suitable for wet locations
 Refer to website for dimmer compatibility
 Ideal operating temperature: -20° to 40° C
 5-year warranty

Finish

- **BK** Black
- **GD** Gold
- **SN** Satin Nickel
- **WH** White

Accessories

- RFP-UNI**
Universal rough-in plate
- RFP-46**
Rough-in plate for 4" and 6" models
- 5000-EXT8FT**
8-foot extension cable
- 5000-EXT20FT**
20-foot extension cable


Multi-voltage ⚡

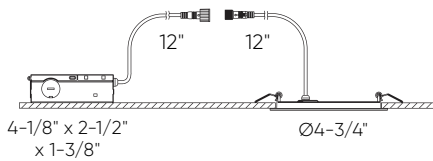
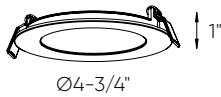
This product family offers multi-voltage drivers (120/277/347) that are dimmable using 0-10V dimming systems. Please note that longer lead times may apply for this option. Kindly reach out to your DALI representative for additional information and to confirm availability.

Note


Other color temperatures, finishes, and voltage options are available but may require minimum order quantities (MOQs) and longer lead times. Please contact your DALI representative for more information.

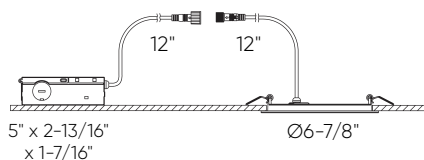
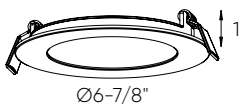
SPN4-CC

Ø4-1/4" 



SPN6-CC

Ø6-1/2" 



Mystique square

If you are looking for a sleek, attractive LED option for your ceilings, then our color-changing panel light with interchangeable trims is the perfect choice. With the flick of a switch, you have the ability to select one of three pre-set color temperatures – 2700K, 3000K, 3500K, 4000K, and 5000K – convenience at your fingertips.



WET



MULTIPLE TRIM
COLORS



ENERGY STAR



ETL
Intertek



IC
RATED



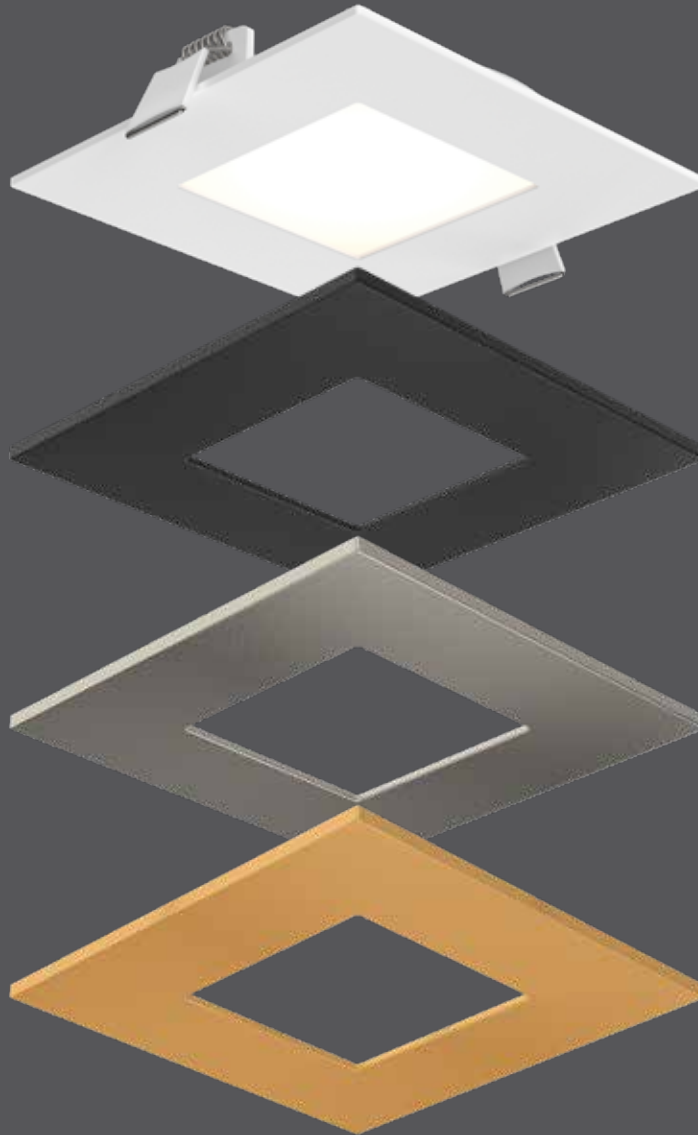
JA8
CERTIFIED



AIR TIGHT



COLOR TEMPERATURE



Model	Size	Watts	Delivered lumens	CRI	Color °T	Standard voltage	Multi-voltage ⚡
SPN4SQ-CC	4"	11 W	800 lm	90	2700, 3000, 3500, 4000, 5000 K	120V, Triac dimming	MV: 120 / 277 / 347V, 0-10V dimming
SPN6SQ-CC	6"	14 W	1100 lm				

Specifications

Every fixture includes a junction box with integrated dimmable driver
 Can be daisy chained
 Minimal heat emission
 Aluminum construction
 IC certification (suitable for direct contact with insulation)
 Air-tight certified as per ASTM E283-04
 Over 50,000 hours of service life
 3 interchangeable trim colors included
 Switch-selectable CCT: 2700 K/3000 K/3500 K/4000 K/5000 K
 110° beam angle
 Suitable for wet locations
 Refer to website for dimmer compatibility
 Ideal operating temperature: -20° to 40° C
 5-year warranty

Finish

- **BK** Black
- **GD** Gold
- **SN** Satin Nickel
- **WH** White

Accessories

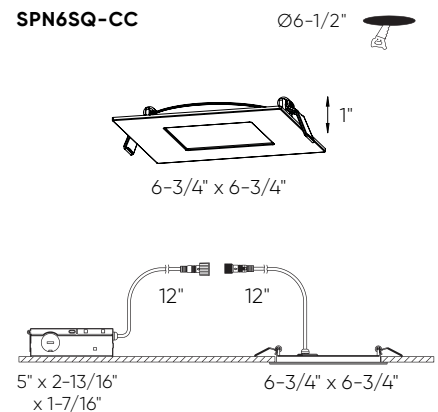
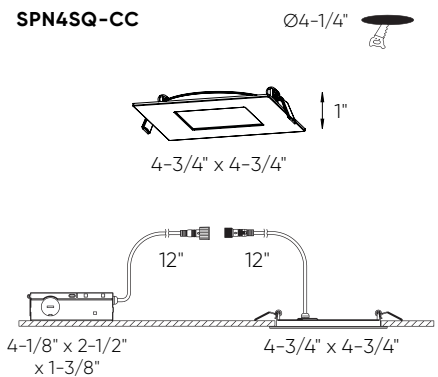
- RFP-UNI**
Universal rough-in plate
- RFP-46**
Rough-in plate for 4" and 6" models
- 5000-EXT8FT**
8-foot extension cable
- 5000-EXT20FT**
20-foot extension cable

Multi-voltage ⚡

This product family offers multi-voltage drivers (120/277/347) that are dimmable using 0-10V dimming systems. Please note that longer lead times may apply for this option. Kindly reach out to your DALI representative for additional information and to confirm availability.

Note

Other color temperatures, finishes, and voltage options are available but may require minimum order quantities (MOQs) and longer lead times. Please contact your DALI representative for more information.



Excel

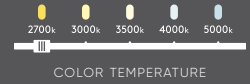
LED panel lights are more accessible than ever before. The sleek and minimal construction allows for the easiest of installations.

UPGRADE



IC RATED

JA8 CERTIFIED



Model	Size	Watts	Delivered lumens	CRI	Color °T	Standard voltage	Multi-voltage ⚡
5003-CC	3"	8 W	600 lm	90	2700, 3000, 3500, 4000, 5000 K	120V, Triac dimming	MV: 120 / 277 / 347V, 0-10V dimming
5004-CC	4"	11 W	800 lm				
5005-CC	5"	12 W	900 lm				
5006-CC	6"	14 W	1100 lm				
5004SQ-CC*	4"	11 W	800 lm				

*Square model

Specifications

Every fixture includes a junction box with an integrated driver
 Over 50,000 hours of service life
 Can be daisy chained
 Minimal heat emission
 Edge lit technology
 Cast aluminum construction
 Switch-selectable CCT: 2700 K/3000 K/3500 K/4000 K/5000 K
 Very low profile
 IC certification (suitable for direct contact with insulation)
 Air-tight certified as per ASTM E283-04
 Suitable for wet locations
 Ideal operating temperature: -20° to 40° C
 Refer to website for dimmer compatibility
 5-year warranty

Finish

- **BK** Black
- **SN** Satin Nickel (5004-CC only)
- **WH** White

Multi-voltage ⚡

This product family offers multi-voltage drivers (120/277/347) that are dimmable using 0-10V dimming systems. Please note that longer lead times may apply for this option. Kindly reach out to your DALI representative for additional information and to confirm availability.

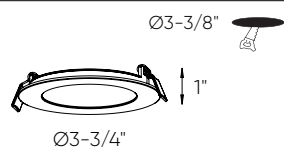
Note

Other color temperatures, finishes, and voltage options are available but may require minimum order quantities (MOQs) and longer lead times. Please contact your DALI representative for more information.

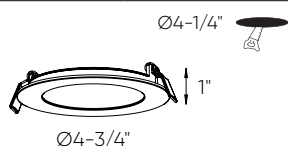
Accessories

- REC-TRIM4-BK (5004)**
4" recessed panel trim in black
- REC-TRIM4-GD (5004)**
4" recessed panel trim in gold
- REC-TRIM4-SN (5004)**
4" recessed panel trim in satin nickel
- REC-TRIM6-BK (5006)**
6" recessed panel trim in black
- REC-TRIM6-GD (5006)**
6" recessed panel trim in gold
- REC-TRIM6-SN (5006)**
6" recessed panel trim in satin nickel
- 5000-EXT8FT**
8-foot extension cable
- 5000-EXT20FT**
20-foot extension cable
- RFP-23 (5003)**
Rough-in plate
- RFP-46 (5004, 5006)**
Rough-in plate
- RFP-58 (5005)**
Rough-in plate
- RFP-UNI (5003, 5004, 5006)**
Universal rough-in plate

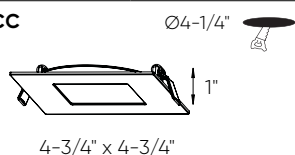
5003-CC



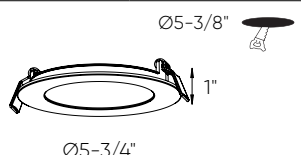
5004-CC



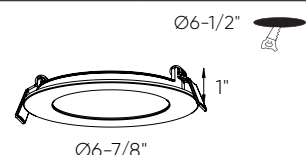
5004SQ-CC



5005-CC



5006-CC



4-1/8" x 2-1/2"
x 1-3/8"

4-1/8" x 2-1/2"
x 1-3/8"

5" x 2-13/16"
x 1-7/16"

Excel

LED panel lights are more accessible than ever before. Their sleek and minimal construction, combined with a two-hour fire-rated housing, offers a blend of security and modern clean design.

NEW

WET

ENERGY STAR

AIR TIGHT

ETL Intertek

IC RATED

2700k 3000k 3500k 4000k 5000k

COLOR TEMPERATURE

WARM DIMMING*

FIRE RATED**



*Model 5004-DW only

**Models 5004-FR-CC, 5006-FR-CC only

Model	Size	Watts	Delivered lumens	CRI	Color °T	Standard voltage	Multi-voltage ⚡
5004-DW*	4"	11 W	850 lm	80	3000 K - 2200 K	120 V, Triac dimming	MV: 120 / 277 / 347V, 0-10V dimming
5004-FR-CC**	4"	11 W	825 lm		2700, 3000, 3500, 4000, 5000 K		
5006-FR-CC**	6"	14 W	1230 lm				

*Dim-to-warm technology dims from 3000 K to 2200 K

**2-hour fire-rated without additional housing or hardware, in accordance with UL 263, ASTM E119, and CAN ULC S101

Specifications

Every fixture includes a junction box with an integrated driver
 Over 35,000 hours of service life
 Can be daisy chained
 Superior LED performance and lifespan
 Smooth 360° wide spread
 Minimal heat emission
 Frosted lens
 Edge lit technology
 Aluminum construction
 Switch-selectable CCT: 2700 K/3000 K/3500 K/4000 K/5000 K
 Very low profile
 IC certification (suitable for direct contact with insulation)
 Air-tight certified as per ASTM E283-04
 Suitable for wet locations
 Refer to website for dimmer compatibility
 Ideal operating temperature: -20° to 40° C
 5-year warranty

Finish

○ **WH** White

Accessories

REC-TRIM4-BK (5004-DW only)
4" recessed panel trim in black

REC-TRIM4-GD (5004-DW only)
4" recessed panel trim in gold

REC-TRIM4-SN (5004-DW only)
4" recessed panel trim in satin nickel

REC-3K-EXT8FT (5004-DW only)
8-foot extension cable

REC-3K-EXT20FT (5004-DW only)
20-foot extension cable

REC-CC-EXT8FT (5004/6-FR only)
8-foot extension cable

REC-CC-EXT20FT (5004/6-FR only)
20-foot extension cable

RFP-46 (5004, 5006)
Rough-in plate

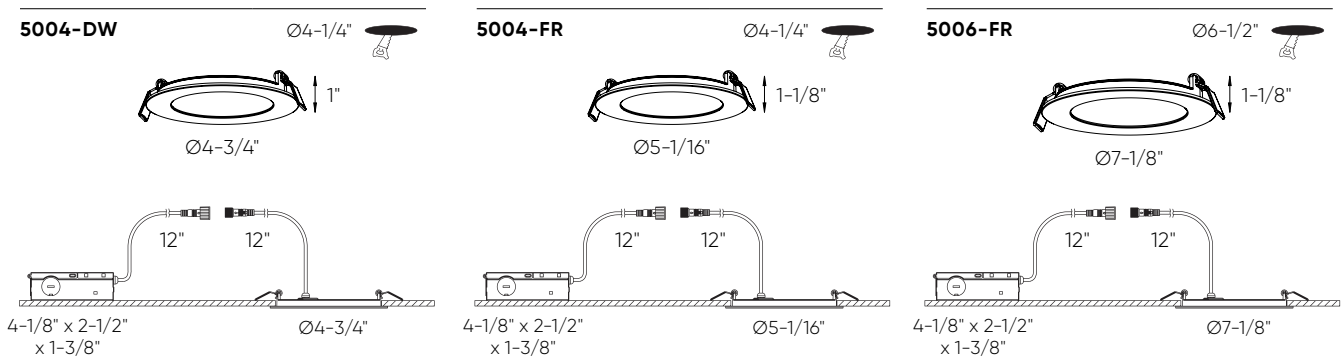
RFP-UNI (5004, 5006)
Universal rough-in plate

Multi-voltage ⚡

This product family offers multi-voltage drivers (120/277/347) that are dimmable using 0-10V dimming systems. Please note that longer lead times may apply for this option. Kindly reach out to your DALI representative for additional information and to confirm availability.

Note

Other color temperatures, finishes, and voltage options are available but may require minimum order quantities (MOQs) and longer lead times. Please contact your DALI representative for more information.



Access

LED panel lights are more accessible than ever before. The sleek and minimal construction allows for the easiest of installations.



Model	Size	Watts	Delivered lumens	CRI	Color °T	Voltage
2003	3"	6 W	400 lm	80	3000 K	120 V
2004	4"	9 W	600 lm			
2006	6"	11 W	800 lm			

Specifications

Every fixture includes a junction box with an integrated driver
 Over 35,000 hours of service life
 Can be daisy chained
 Superior LED performance and lifespan
 Smooth 360° wide spread
 Minimal heat emission
 Frosted lens
 Edge lit technology
 Aluminum construction
 Very low profile
 IC certification (suitable for direct contact with insulation)
 Air-tight certified as per ASTM E283-04
 Suitable for damp locations
 Refer to website for dimmer compatibility
 5-year warranty

Finish

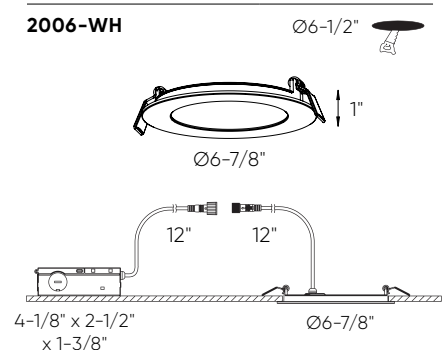
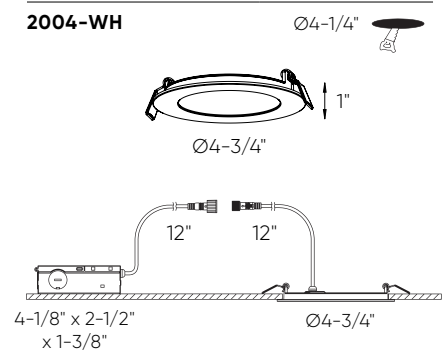
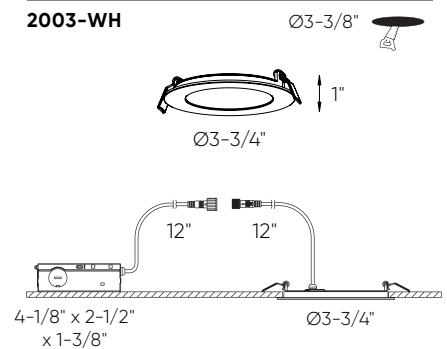
○ **WH** White

Accessories

REC-TRIM4-BK (2004)
 4" recessed panel trim in black
REC-TRIM4-GD (2004)
 4" recessed panel trim in gold
REC-TRIM4-SN (2004)
 4" recessed panel trim in satin nickel
REC-TRIM6-BK (2006)
 6" recessed panel trim in black
REC-TRIM6-GD (2006)
 6" recessed panel trim in gold
REC-TRIM6-SN (2006)
 6" recessed panel trim in satin nickel
2000-EXT8FT
 8-foot extension cable
2000-EXT20FT
 20-foot extension cable
RFP-23 (2003)
 Rough-in plate
RFP-46 (2004, 2006)
 Rough-in plate
RFP-UNI (2004, 2006)
 Universal rough-in plate

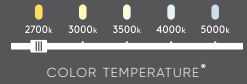
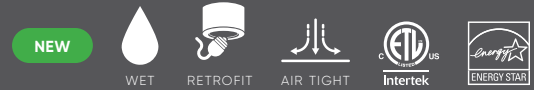
Note

Other color temperatures, finishes, and voltage options are available but may require minimum order quantities (MOQs) and longer lead times. Please contact your DALI representative for more information.



Alter series

This aluminum retrofit LED panel offers the easiest and most practical solution for upgrading your outdated recessed lighting. For style and convenience, the removable outer trim attaches with magnetic fasteners, creating a seamless look. It can be easily retrofitted into existing 4" canisters or standard octagonal junction boxes.



*Model RTJB4-CC only

Model	Size	Watts	Delivered lumens	CRI	Color °T	Voltage
RTJB4-3K	4"	9 W	550 lm	90	3000 K	120 V
RTJB4-CC	4"	9 W	565 lm		2700, 3000, 3500, 4000, 5000 K	

Specifications

Fits on octagonal junction boxes
 Fire rated alternative when mounted onto a fire rated junction box
 Minimal heat emission
 Aluminum construction
 Switch-selectable CCT: 2700 K/3000 K/3500 K/4000 K/5000 K (model RTJB4-CC only)
 Over 50,000 hours of service life
 Magnetic trim finish
 Air-tight certified as per ASTM E283-04
 Suitable for wet locations
 Refer to website for dimmer compatibility
 Ideal operating temperature: -20° to 40° C
 5-year warranty

Finish

○ **WH** White

Accessories

RTJB4-ACC

4" recessed can mounting kit for RTJB4-XX - clips and E26 socket

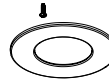
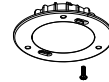
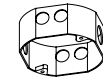
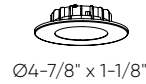
RTJB4-TRIM-BK

4" recessed panel trim in black

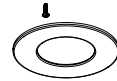
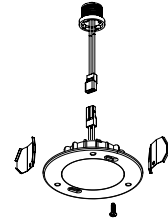
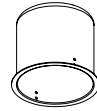
Note

Other color temperatures, finishes, and voltage options are available but may require minimum order quantities (MOQs) and longer lead times. Please contact your DALs representative for more information.

RTJB4-XX



RTJB4-XX + RTJB4-ACC



Alter series

Our LED retrofit panels provide the perfect solution for your renovations. There's no need to completely change your current lighting, simply use these innovative products and retrofit your existing installation. The change will be illuminating.



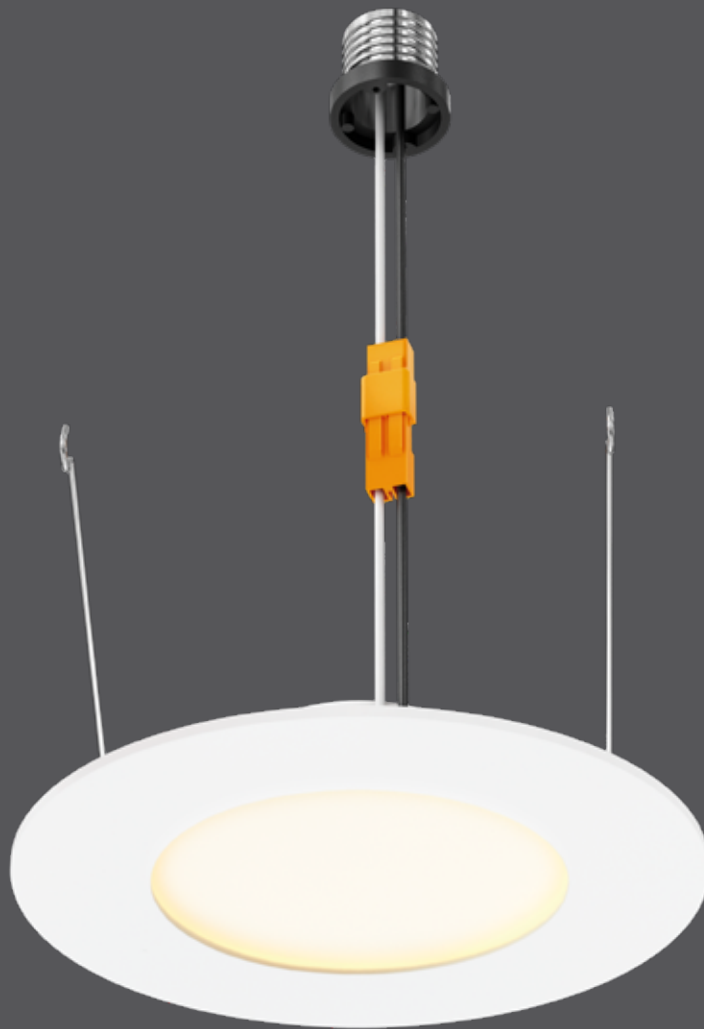
DRY



RETROFIT

JA8

CERTIFIED



Model	Size	Watts	Delivered lumens	CRI	Color °T	Voltage
LEDPNLRTF56-CC	6"	10 W	720 lm	90	2700, 3000, 3500, 4000, 5000 K	120 V

Specifications

120V AC, A19 bulb replacement
 Fits into 5-1/2" to 6" recessed housings
 Integrated dimmable driver
 Switch-selectable CCT: 2700 K/3000 K/
 3500 K/4000 K/5000 K
 Aluminum trim and housing
 Over 35,000 hours of service life
 Minimal heat emission
 Frosted lens
 Edge-lit technology
 Very low profile
 Aluminum heatsink and thermal protection
 Suitable for dry locations
 Refer to website for dimmer compatibility
 Ideal operating temperature:
 -20° to 40° C
 5-year warranty

Finish

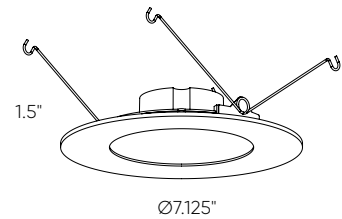
○ **WH** White

Note


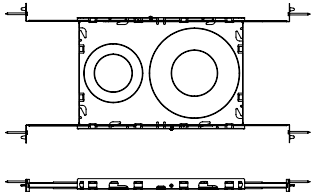
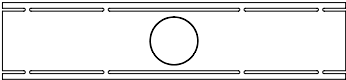
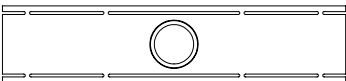
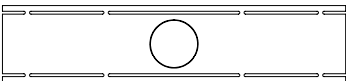
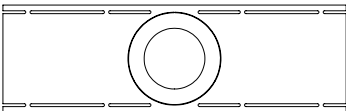
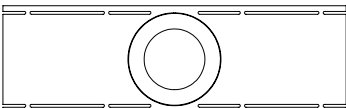
Other color temperatures, finishes, and voltage options are available but may require minimum order quantities (MOQs) and longer lead times. Please contact your DALs representative for more information.



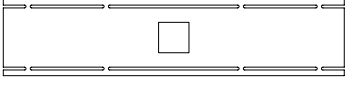
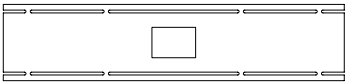
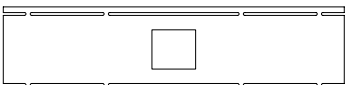
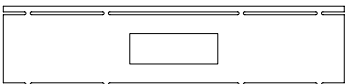
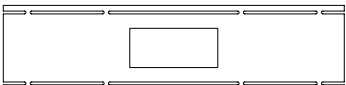
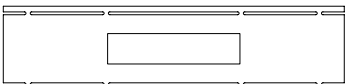
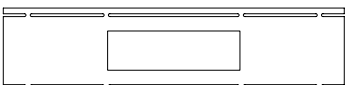
LEDPNLRTF56-CC




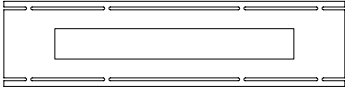
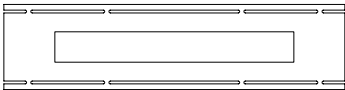
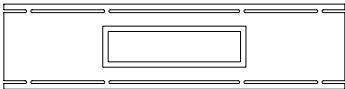
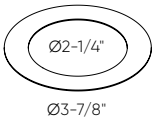
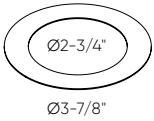
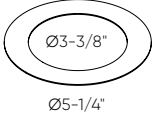
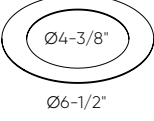
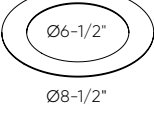
Accessories




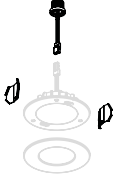




Model	Description		Specifications
RFP-UNI	Universal drilling plate 	Ø2 3/4" Ø3 3/8" Ø4 1/4" Ø6 1/2"	Expandable with on-center spacing up to 24" Plates serve as template for cutting precise product openings (Please refer to product cut size) Adds extra support and allows for easy and quick installation Galvanized steel finish
RFP-GMB2	Drilling plate for GMB2-CC recessed fixture 	Ø2-1/4"	Plates serve as template for cutting precise product openings (Please refer to product cut size) Adds extra support and allows for easy and quick installation Galvanized steel finish
RFP-23	Drilling plate for 2 and 3" fixtures 	Ø2-3/4" Ø3-3/8"	Plates serve as template for cutting precise product openings (Please refer to product cut size) Adds extra support and allows for easy and quick installation Galvanized steel finish
RFP-35	Drilling plate for 3.5" fixtures 	Ø3-1/2"	Plates serve as template for cutting precise product openings (Please refer to product cut size) Adds extra support and allows for easy and quick installation Galvanized steel finish
RFP-46	Drilling plate for 4 and 6" fixtures 	Ø4-1/4" Ø6-1/2"	Plates serve as template for cutting precise product openings (Please refer to product cut size) Adds extra support and allows for easy and quick installation Galvanized steel finish
RFP-58	Drilling plate for 5 and 8" fixtures 	Ø5-3/8" Ø7-1/2"	Plates serve as template for cutting precise product openings (Please refer to product cut size) Adds extra support and allows for easy and quick installation Galvanized steel finish



Model	Description		Specifications
RFP-MSL1	Drilling plate for MSL1 recessed fixture 	1-9/16" x 1-9/16"	Plates serve as template for cutting precise product openings (Please refer to product cut size) Adds extra support and allows for easy and quick installation Galvanized steel finish
RFP-MSL2	Drilling plate for MSL2 recessed fixture 	1-9/16" x 2-5/8"	Plates serve as template for cutting precise product openings (Please refer to product cut size) Adds extra support and allows for easy and quick installation Galvanized steel finish
RFP-MSL4	Drilling plate for MSL4 recessed fixture 	2-3/4" x 2-3/4"	Plates serve as template for cutting precise product openings (Please refer to product cut size) Adds extra support and allows for easy and quick installation Galvanized steel finish
RFP-MSL5	Drilling plate for MSL5 recessed fixture 	5-1/2" x 1-5/8"	Plates serve as template for cutting precise product openings (Please refer to product cut size) Adds extra support and allows for easy and quick installation Galvanized steel finish
RFP-MSL5G	Drilling plate for MSL5G recessed fixture 	6-3/8" x 2-3/4"	Plates serve as template for cutting precise product openings (Please refer to product cut size) Adds extra support and allows for easy and quick installation Galvanized steel finish
RFP-MSL10	Drilling plate for MSL10 recessed fixture 	10-3/4" x 1-5/8"	Plates serve as template for cutting precise product openings (Please refer to product cut size) Adds extra support and allows for easy and quick installation Galvanized steel finish
RFP-MSL10G	Drilling plate for MSL10G recessed fixture 	11-1/2" x 2-3/4"	Plates serve as template for cutting precise product openings (Please refer to product cut size) Adds extra support and allows for easy and quick installation Galvanized steel finish

Accessories

Model	Description		Specifications
RFP-LNR24	Drilling plate for LNR24-CC, LNR24-CC-V, DCP-LNR24 recessed linears 	2-1/8" x 23-3/8"	Plates serve as template for cutting precise product openings (Please refer to product cut size) Adds extra support and allows for easy and quick installation Galvanized steel finish
RFP-LNR48	Drilling plate for LNR48-CC, LNR48-CC-V, DCP-LNR48 recessed linears 	2-1/8" x 47-3/8"	Plates serve as template for cutting precise product openings (Please refer to product cut size) Adds extra support and allows for easy and quick installation Galvanized steel finish
RFP-DUO	Drilling plate for FGM4-CC-DUO and GBR35-CC-DUO recessed fixtures 	7-1/8" x 3-1/2" 8-5/8" X 4-3/4"	Plates serve as template for cutting precise product openings (Please refer to product cut size) Adds extra support and allows for easy and quick installation Galvanized steel finish
Model		Finish	Specification
GMB2-GOOF	 Ø2-1/4" Ø3-7/8"	White	Goof ring for GMB2 recessed lights Allows 2" fixtures to fit in a hole with a maximum diameter of 4-3/4"
REC-GOOF2	 Ø2-3/4" Ø3-7/8"	White	Goof ring for 2" recessed lights Allows 2" fixtures to fit in a hole with a maximum diameter of 4-1/4"
LEDDOWNACC-GOOF3	 Ø3-3/8" Ø5-1/4"	White	Goof ring for 3" recessed lights Allows 3" fixtures to fit in a hole with a maximum diameter of 4-3/4"
LEDDOWNACC-GOOF4	 Ø4-3/8" Ø6-1/2"	White Black	Goof ring for 4" recessed lights Allows 4" fixtures to fit in a hole with a maximum diameter of 6"
LEDDOWNACC-GOOF6	 Ø6-1/2" Ø8-1/2"	White	Goof ring for 6" recessed lights Allows 6" fixtures to fit in a hole with a maximum diameter of 8"

Model		Finish	Specification
REC-PT4-BK REC-PT4-GD REC-PT4-SN		Black Gold Satin Nickel	4" recessed panel trim Compatible products: SM-PNL4
REC-TRIM4-BK REC-TRIM4-GD REC-TRIM4-SN REC-TRIM6-BK REC-TRIM6-GD REC-TRIM6-SN		Black Gold Satin Nickel	4" and 6" panel trims Compatible products: 2004-CC, 2006 5004-CC, 5004-DW, 5006-CC
RTJB4-TRIM-BK		Black	4" recessed panel trim Compatible products: RTJB4-3K, RTJB4-CC
RTJB4-ACC		-	4" recessed can mounting kit for RTJB4-XX - clips and E26 socket
DDP4-TRIM-BK DDP6-TRIM-BK		Black	4" and 6" recessed panel trims Compatible products: DDP4-CC, DCP-DDP4, DDP6-CC, DCP-DDP6
DRR4-TRIM-BK DRR4-TRIM-SBA DRR6-TRIM-BK DRR6-TRIM-SBA		Black Sandblasted aluminum	4" and 6" recessed panel trims Compatible products: DRR4-CC, DRR6-CC
2000-EXT8FT 2000-EXT20FT REC-3K-EXT8FT REC-3K-EXT20FT		White	8-foot extension cord for 2-pin recessed fixtures 20-foot extension cord for 2-pin recessed fixtures Male/female connector for quick-connect installation. Connect together for a total length of up to 40 feet
5000-EXT8FT 5000-EXT20FT GPN-CC-EXT8FT GPN-CC-EXT20FT GSP-CC-EXT8FT GSP-CC-EXT20FT REC-CC-EXT8FT REC-CC-EXT20FT		White	8-foot extension cord for 3-pin recessed fixtures 20-foot extension cord for 3-pin recessed fixtures Male/female connector for quick-connect installation. Connect together for a total length of up to 40 feet