



DALS LIGHTING

Canada
80, de la Seigneurie blvd., E.
Blainville, Quebec j7c 4n1

U.S.A.
4383, NW 124th Ave.,
Coral Springs, Florida 33065

877.430.1818
info@dals.com
dals.com

MODEL 2003

NAME Access

4 Inch Round Regressed Down Light

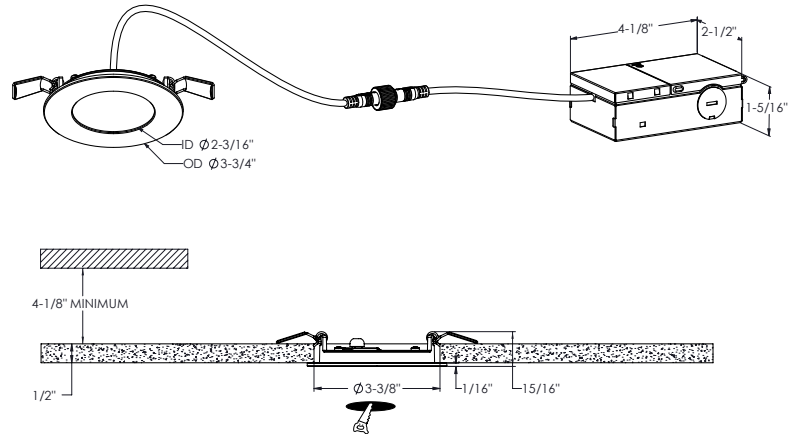
Our new LED Panel lights are more accessible than ever before. The sleek and minimal construction allows for the easiest of installations.



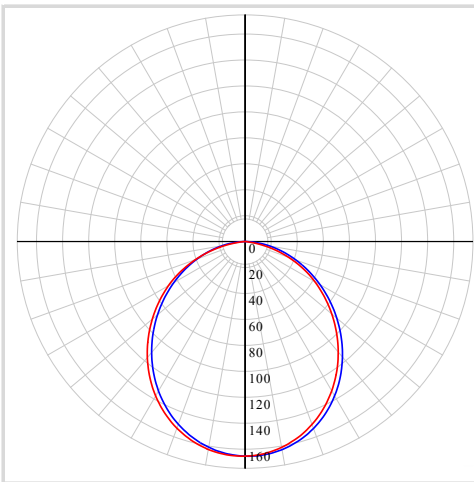
PROJECT _____ **TYPE** _____

DATE _____ **QTY** _____

NOTES



LIGHT DISTRIBUTION



*Lumen output measured at 3000k

QUICK SPECS

Size	3"
Watts (W)	6
Delivered lumens*	400
CRI	80
Voltage (v)	120
Beam angle (deg)	110°
Cut hole size (in)	3-3/8"
Lifespan (hrs)	35,000hrs
FT rating	FT1
Binning	7 SDCM
LED model	SMD 2835
Color temperature	3000k

ELECTRICAL DETAILS

Environment	Damp
Location	in
Operating temp. (° C)	-20 to 40
IP rating	IP44
Input voltage (V)	120
Output voltage (V)	33-37
Output current (mA)	155
Power factor	70
Driver type	Constant current
THD	<20%
Certifications	ETL, FCC, ICES, ES, JA8
	IC, ASTM E283-04

ORDERING GUIDE

2003	-	_____	-	_____
		Voltage		Finish
		BLANK - 120v Triac dimming		WH - White ○
		V - 120-277-347V 0-10v dimming		

CONSTRUCTION

Lens	Frosted
Optic type	Flat lens
Lens material	Plastic
Finish type	Matte
Housing material	Aluminum

WHAT'S IN THE BOX

LED recessed fixture
 Junction box
 3x Push-in wire connectors
 Mounting hardware
 Instruction sheet

ACCESSORIES

[RPF-UNI](#)
 Universal drilling plate

[RPF-23](#)
 Drilling plate

ADAPTORS

[2000-EXT8FT](#)
 96" extension cord for recessed fixtures

[2000-EXT20FT](#)
 240" extension cord for recessed fixtures

RECOMMENDED DIMMER LIST*

BRAND	MODEL	DIMMER SPECS	GRADE	MIN	MAX	MAX LOAD
Dals	SM-DIMSW Smart Dimmer*	Triac, 250W LED/CFL	Compatible	9	100	42
Lutron	DVCL-153PR-WH-C*	Triac, 150 W Dimmable CFL/LED	Compatible	9	100	25
Lutron	CTCL-153PDH-WH-C*	Triac, 150 W Dimmable CFL/LED	Compatible	2	100	25
Lutron	STCL-153PH-WH-C*	Triac, 150 W Dimmable CFL/LED	Compatible	10	100	25
Lutron	DVELV-300P-WH	300W electronic low voltage dimmer	Compatible	1	98	50
Lutron	MA-PRO-WH*	ELV, 250W LED/CFL	Compatible	0	100	42
Lutron	Caseta PD-6WCL-WH-R-C*	Triac, 300W Dimmable CFL/LED	Compatible	4	100	50
Lutron	Caseta PD-5NE-WH-C*	ELV, LED—up to 250 W	Compatible	0	100	42
Lutron	Caseta PD-10NXD-WH*	Triac, LED—up to 250 W	Compatible	3	98	42
Leviton	DSM10-1LZ*	Triac, 450W Dimmable CFL/LED	Compatible	11	99	75
Leviton	6674*	Triac, 150 W Dimmable CFL/LED	Compatible	8	100	25
Leviton	D26HD-742-1RW*	Triac, 300W LED/CFL	Compatible	9	100	50
Legrand	RHCL453PNICCV4*	Triac, 450W Dimmable CFL/LED	Compatible	10	100	75
Legrand	ADTP703TUM4*	Triac, 450W Dimmable CFL/LED	Compatible	1	100	75
Legrand	RHL373PW*	Triac, 250W LED	Compatible	0	94	42
Control 4	C4-APD120-WH	ELV, 120W LED	Compatible	0	100	20
Control 4	C4-FPD120-WH	Triac, 200W LED	Compatible	0	99	33
Commercial Electric	HPDA311CWB*	Triac, 150W LED & CFL	Compatible	2	100	25
TP-Link	HS220*	Triac, 150 W, Dimmable LED (MLV)	Compatible		99	25

WARRANTY

DALS offers a 5-year warranty from the date of purchase which covers repairs or replacement of defective parts of the housing, optics, and electronics. To contact DALS customer service call 1-877-430-1818 or send an e-mail to info@dals.com.