



DALS LIGHTING

Canada
80, de la Seigneurie blvd., E.
Blainville, Quebec j7C 4N1

U.S.A.
4383, NW 124th Ave.,
Coral Springs, Florida 33065

877.430.1818
info@dals.com
dals.com

MODEL VCC24-CC

NAME Balance

24in 2-tone vanity light with round canopy

Transform your bathroom ambiance with our 24 and 36-inch two-tone vanity light, featuring a stylish interplay of finishes, and complete with an elegant round canopy for a minimalist touch.

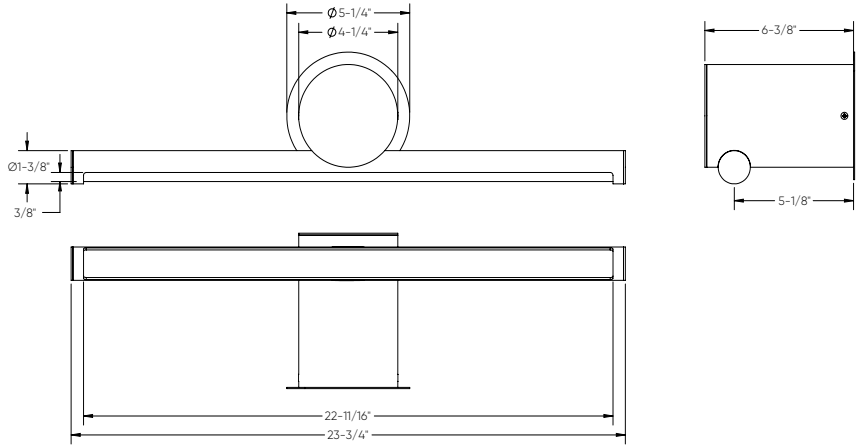
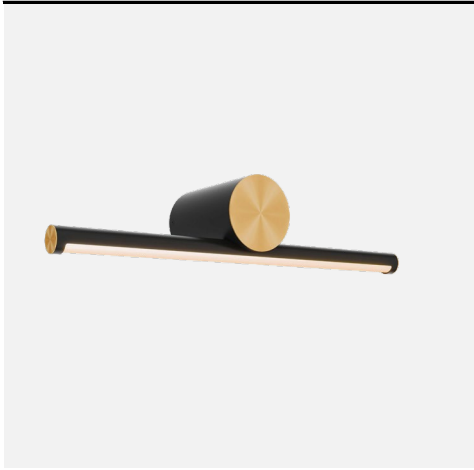
PROJECT

TYPE

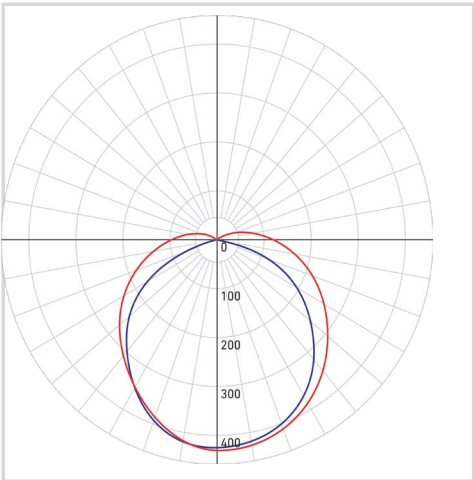
DATE

QTY

NOTES



LIGHT DISTRIBUTION



*Lumen output measured at 3000k

QUICK SPECS

Size	24"
Watts (W)	20
Delivered lumens*	1490
CRI	90
Voltage (v)	120
Beam angle (deg)	120
Mounting	Screwed in
Lifespan (hrs)	50 000
Binning	5 SDCM
LED model	SMD 2835
Light direction	Down
Color temperature	2700K/3000K/3500K/4000K/5000K

ELECTRICAL DETAILS

Environment	Damp
Location	Indoor
Operating temp. (° C)	-20 to 40
IP rating	IP44
Input voltage (V)	120
Output voltage (V)	115-135
Output current (mA)	120
Power factor	93
Driver type	Constant current
THD	≤ 30%
Certifications	ETL, FCC, ICES

ORDERING GUIDE

VCC24-CC - *Finish*
BG - Black-Gold

CONSTRUCTION

Lens material	Plastic
Lens type	Frosted
Finish type	Painted
Housing material	Steel

WHAT'S IN THE BOX	ACCESSORIES	ADAPTORS
<ul style="list-style-type: none"> LED flush mount fixture Mounting bracket Mounting hardware Wire nuts Instruction sheet 		

RECOMMENDED DIMMER LIST*

BRAND	MODEL	DIMMER SPECS	GRADE	MIN	MAX	MAX LOAD
Dals	SM-DIMSW Smart Dimmer*	Triac, 250W LED/CFL	Compatible	0	100	13
Lutron	DVCL-153PR-WH-C*	Triac, 150 W Dimmable CFL/LED	Compatible	0	100	8
Lutron	CTCL-153PDH-WH-C*	Triac, 150 W Dimmable CFL/LED	Compatible	0	100	8
Lutron	STCL-153PH-WH-C*	Triac, 150 W Dimmable CFL/LED	Compatible	0	100	8
Lutron	MACL-153MRHW-WHC*	Triac, 150 W Dimmable CFL/LED	Compatible	0	100	8
Lutron	DVELV-300P-WH	300W electronic low voltage dimmer	Compatible	0	90	15
Lutron	MA-PRO-WH*	ELV, 250W LED/CFL	Compatible	0	100	13
Lutron	Caseta PD-6WCL-WH-R-C*	Triac, 300W Dimmable CFL/LED	Compatible	0	100	8
Lutron	Caseta PD-10NXD-WH*	Triac, LED—up to 250 W	Compatible	0	100	13
Leviton	#PL06-10Z*	Triac, 150 W Dimmable CFL/LED	Compatible	0	100	8
Leviton	D26HD-742-1RW*	Triac, 300W LED/CFL	Compatible	0	100	15
Legrand	RHCL453PNICCV4*	Triac, 450W Dimmable CFL/LED	Compatible	0	100	23
Legrand	ADTP703TUM4*	Triac, 450W Dimmable CFL/LED	Compatible	1	98	23
Legrand	ADPD453LM2*	Triac, 450W Dimmable CFL/LED	Compatible	8	100	23
Control 4	C4-FPD120-WH	Triac, 200W LED	Compatible	0	100	10
Commercial Electric	HPDA311CWB*	Triac, 150W LED & CFL	Compatible	0	100	8
TP-Link	HS220*	Triac, 150 W, Dimmable LED (MLV)	Compatible	0	100	8

*With Low-End Adjustment Feature

Minimal buzzing noise may occur with some dimmers

WARRANTY

DALS offers a 5-year warranty from the date of purchase which covers repairs or replacement of defective parts of the housing, optics, and electronics. To contact DAL'S customer service call 1-877-430-1818 or send an e-mail to info@dals.com.