



DALS LIGHTING

Canada
80, de la Seigneurie blvd., E.
Blainville, Quebec j7C 4N1

U.S.A.
4383, NW 124th Ave.,
Coral Springs, Florida 33065

877.430.1818
info@dals.com
dals.com

MODEL TLFM21-CC

NAME Fusion

21" Fusion Flush Mount

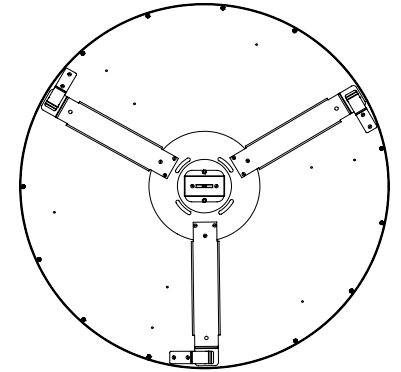
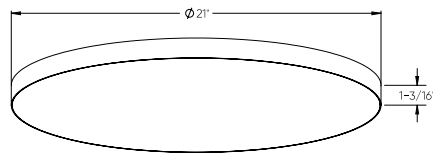
The Fusion trimless 12- and 21-inch flush mount family showcase a harmonious union of minimalist design and expansive illumination, providing a blend of sophistication and functionality for contemporary spaces.



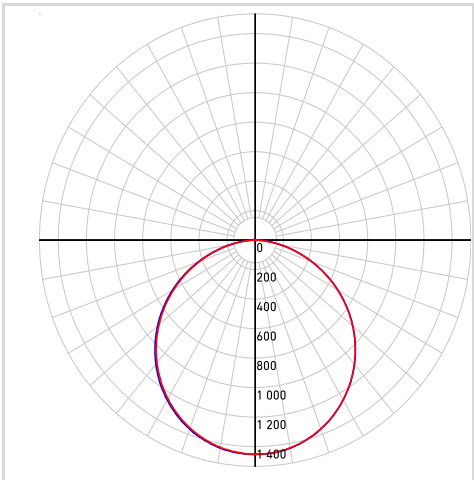
PROJECT _____ **TYPE** _____

DATE _____ **QTY** _____

NOTES



LIGHT DISTRIBUTION



*Lumen output measured at 3000k

QUICK SPECS

Size	21"
Watts (W)	45
Delivered lumens*	4300
CRI	90
Voltage (v)	120
Beam angle (deg)	110
Mounting	Twist bracket
Lifespan (hrs)	50000
Binning	3 SDCM
LED model	SMD 2835
Light direction	Straight
Color temperature	2700K/3000K/3500K/4000K/5000K

ELECTRICAL DETAILS

Environment	Wet - covered ceiling mounted only
Location	Indoor / Outdoor
Operating temp. (° C)	-20 to 40
IP rating	IP44
Input voltage (V)	120
Output voltage (V)	-
Output current (mA)	-
Power factor	90
Driver type	Driver on board
THD	≤ 30%
Certifications	ETL, FCC, ICES,
	JA8/T24

ORDERING GUIDE

TLFM21-CC - _____
Finish
WH - White ○
BK - Black ●

CONSTRUCTION

Lens material	PC
Lens type	Frosted lens
Finish type	Matte
Housing material	Aluminum

WHAT'S IN THE BOX

LED flush mount fixture
 Mounting bracket
 Mounting hardware
 Wire nuts
 Instruction sheet

ACCESSORIES**ADAPTORS****RECOMMENDED DIMMER LIST***

BRAND	MODEL	DIMMER SPECS	GRADE	MIN	MAX	MAX LOAD
Lutron	DVELV-300P-WH	300W electronic low voltage dimmer	Compatible	1	94	6
Lutron	MA-PRO-WH*	ELV, 250W LED/CFL	Compatible	14	99	5
Lutron	Caseta PD-5NE-WH-C*	ELV, LED—up to 250 W	Compatible	1	99	5
Control 4	C4-APD120-WH	ELV, 120W LED	Compatible	0	100	2

*With Low-End Adjustment Feature

Minimal buzzing noise may occur with some dimmers

WARRANTY

DALS offers a 5-year warranty from the date of purchase which covers repairs or replacement of defective parts of the housing, optics, and electronics. To contact DAL'S customer service call 1-877-430-1818 or send an e-mail to info@dals.com.