



# DALS LIGHTING

Canada  
80, de la Seigneurie blvd., E.  
Blainville, Quebec j7C 4N1

U.S.A.  
4383, NW 124th Ave.,  
Coral Springs, Florida 33065

877.430.1818  
info@dals.com  
dals.com

**MODEL** TLFM12-CC

**NAME** Fusion

12in Trimless flush mount  
The Fusion trimless 12- and 21-inch flush mount family showcase a harmonious union of minimalist design and expansive illumination, providing a blend of sophistication and functionality for contemporary spaces.

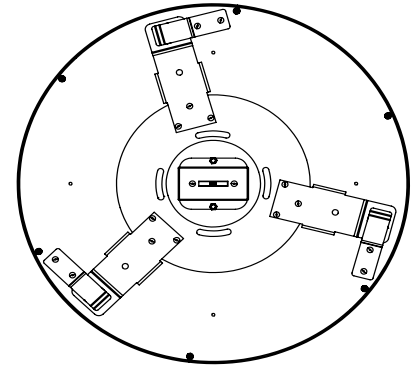
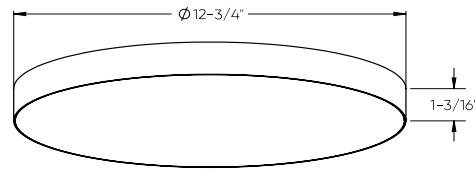
**PROJECT**

**TYPE**

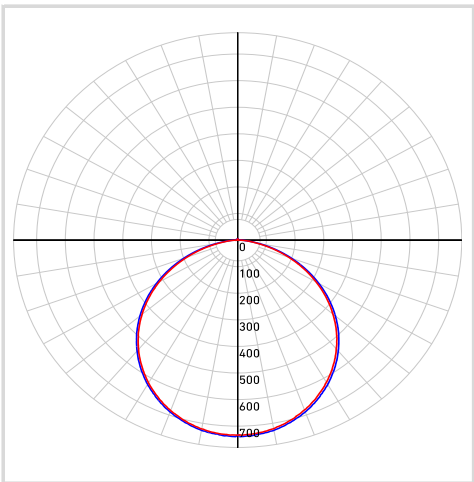
**DATE**

**QTY**

**NOTES**



### LIGHT DISTRIBUTION



### QUICK SPECS

<b>Size</b>	12"
<b>Watts (W)</b>	25
<b>Delivered lumens*</b>	2000
<b>CRI</b>	90
<b>Voltage (v)</b>	120
<b>Beam angle (deg)</b>	110
<b>Mounting</b>	Twist bracket
<b>Lifespan (hrs)</b>	50000
<b>Binning</b>	3 SDCM
<b>LED model</b>	SMD 2835
<b>Light direction</b>	Straight
<b>Color temperature</b>	2700K/3000K/3500K/4000K/5000K

### ELECTRICAL DETAILS

<b>Environment</b>	Wet - covered ceiling mounted only
<b>Location</b>	Indoor / Outdoor
<b>Operating temp. (° C)</b>	-20 to 40
<b>IP rating</b>	IP44
<b>Input voltage (V)</b>	120
<b>Output voltage (V)</b>	-
<b>Output current (mA)</b>	-
<b>Power factor</b>	90
<b>Driver type</b>	Driver on board
<b>THD</b>	≤ 30%
<b>Certifications</b>	ETL, FCC, ICES, JA8/T24,

\*Lumen output measured at 3000k

### ORDERING GUIDE

TLFM12-CC -

*Finish*

**WH** - White

**BK** - Black

### CONSTRUCTION

<b>Lens material</b>	PC
<b>Lens type</b>	Frosted lens
<b>Finish type</b>	Matte
<b>Housing material</b>	Aluminum

WHAT'S IN THE BOX	ACCESSORIES	ADAPTORS
LED flush mount fixture Mounting bracket Mounting hardware Wire nuts Instruction sheet		

#### RECOMMENDED DIMMER LIST\*

BRAND	MODEL	DIMMER SPECS	GRADE	MIN	MAX	MAX LOAD
Dals	SM-DIMSW Smart Dimmer*	Triac, 250W LED/CFL	Compatible	2	97	10
Lutron	CTCL-153PDH-WH-C*	Triac, 150 W Dimmable CFL/LED	Compatible	1	98	6
Lutron	STCL-153PH-WH-C*	Triac, 150 W Dimmable CFL/LED	Compatible	1	98	6
Lutron	MACL-153MRHW-WHC*	Triac, 150 W Dimmable CFL/LED	Compatible	1	98	6
Lutron	DVELV-300P-WH	300W electronic low voltage dimmer	Compatible	1	91	12
Lutron	MA-PRO-WH*	ELV, 250W LED/CFL	Compatible	0	98	10
Lutron	Caseta PD-6WCL-WH-R-C*	Triac, 300W Dimmable CFL/LED	Compatible	1	98	6
Lutron	Caseta PD-5NE-WH-C*	ELV, LED—up to 250 W	Compatible	0	98	10
Lutron	Caseta PD-10NXD-WH*	Triac, LED—up to 250 W	Compatible	1	98	10
Leviton	DSM10-1LZ*	Triac, 450W Dimmable CFL/LED	Compatible	2	98	17
Leviton	PL06-10Z*	Triac, 150 W Dimmable CFL/LED	Compatible	2	99	6
Leviton	DSL06-1LZ*	Triac, 150 W Dimmable CFL/LED	Compatible	2	98	6
Leviton	D26HD-742-1RW*	Triac, 300W LED/CFL	Compatible	28	98	12
Legrand	RHCL453PNICCV4*	Triac, 450W Dimmable CFL/LED	Compatible	0	99	17
Legrand	ADTP703TUM4*	Triac, 450W Dimmable CFL/LED	Compatible	17	95	17
Control 4	C4-APD120-WH	ELV, 120W LED	Compatible	1	98	5
Control 4	C4-FPD120-WH	Triac, 200W LED	Compatible	1	98	8

\*With Low-End Adjustment Feature

Minimal buzzing noise may occur with some dimmers

#### WARRANTY

DALS offers a 5-year warranty from the date of purchase which covers repairs or replacement of defective parts of the housing, optics, and electronics. To contact DALS customer service call 1-877-430-1818 or send an e-mail to [info@dals.com](mailto:info@dals.com).