



DALS LIGHTING

Canada
80, de la Seigneurie blvd., E.
Blainville, Quebec J7C 4N1

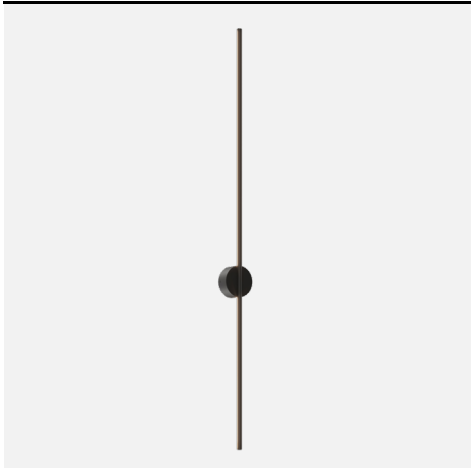
U.S.A.
4383, NW 124th Ave.,
Coral Springs, Florida 33065

877.430.1818
info@dals.com
dals.com

MODEL RWS60-CC

NAME Midnight

60in Indirect linear wall sconce
The 60-inch indirect linear wall sconce emanates a soft, ambient glow, elegantly transforming any space with its sleek design. Get creative with its versatile mounting options, allowing it to be installed in a clock-like manner, offering a customizable lighting solution



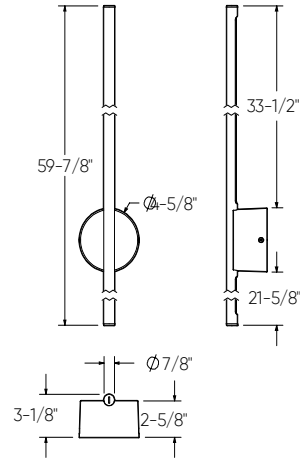
PROJECT

TYPE

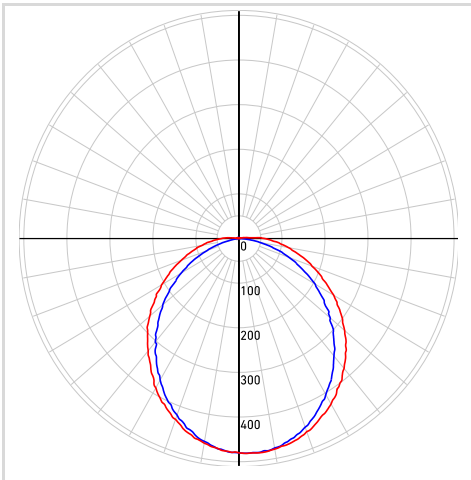
DATE

QTY

NOTES



LIGHT DISTRIBUTION



*Lumen output measured at 3000k

QUICK SPECS

Size	60"
Watts (W)	17
Delivered lumens*	1400
CRI	80
Voltage (v)	120
Beam angle (deg)	100
Mounting	Screwed in
Lifespan (hrs)	50 000
Binning	3 SDCM
LED model	SMD 2835
Light direction	Indirect
Color temperature	2700K/3000K/3500K/4000K/5000K

ELECTRICAL DETAILS

Environment	Outdoor
Location	Outdoor
Operating temp. (° C)	-20 to 45
IP rating	50 000
Input voltage (V)	120
Output voltage (V)	36
Output current (mA)	380
Power factor	90
Driver type	Constant current
THD	≤ 30%
Certifications	ETL, FCC, ICES

ORDERING GUIDE

RWS60-CC -

Finish

BK - Black

CONSTRUCTION

Lens material	Plastic
Lens type	Frosted
Finish type	Powder coated
Housing material	Aluminum

WHAT'S IN THE BOX	ACCESSORIES	ADAPTORS
LED flush mount fixture Mounting bracket Mounting hardware Wire nuts Instruction sheet		

RECOMMENDED DIMMER LIST*

BRAND	MODEL	DIMMER SPECS	GRADE	MIN	MAX	MAX LOAD
Dals	SM-DIMSW Smart Dimmer*	Triac, 250W LED/CFL	Compatible	1	100	15
Lutron	CTCL-153PDH-WH-C*	Triac, 150 W Dimmable CFL/LED	Compatible	1	100	9
Lutron	STCL-153PH-WH-C*	Triac, 150 W Dimmable CFL/LED	Compatible	0	100	9
Lutron	DVELV-300P-WH	300W electronic low voltage dimmer	Compatible	3	100	18
Lutron	MA-PRO-WH*	ELV, 250W LED/CFL	Compatible	0	100	15
Lutron	Caseta PD-6WCL-WH-R-C*	Triac, 300W Dimmable CFL/LED	Compatible	0	100	9
Lutron	Caseta PD-10NXD-WH*	Triac, LED—up to 250 W	Compatible	0	100	15
Leviton	6674*	Triac, 150 W Dimmable CFL/LED	Compatible	11	100	9
Leviton	D26HD-742-1RW*	Triac, 300W LED/CFL	Compatible	4	100	18
Legrand	RHCL453PNICCV4*	Triac, 450W Dimmable CFL/LED	Compatible	1	100	26
Legrand	ADTP703TUM4*	Triac, 450W Dimmable CFL/LED	Compatible	22	100	26
Control 4	C4-APD120-WH	ELV, 120W LED	Compatible	0	100	7
Control 4	C4-FPD120-WH	Triac, 200W LED	Compatible	0	100	12
Commercial Electric	HPDA311CWB*	Triac, 150W LED & CFL	Compatible	0	100	9
TP-Link	HS220*	Triac, 150 W, Dimmable LED (MLV)	Compatible	0	100	9

*With Low-End Adjustment Feature

Minimal buzzing noise may occur with some dimmers

WARRANTY

DALS offers a 5-year warranty from the date of purchase which covers repairs or replacement of defective parts of the housing, optics, and electronics. To contact DALS customer service call 1-877-430-1818 or send an e-mail to info@dals.com.