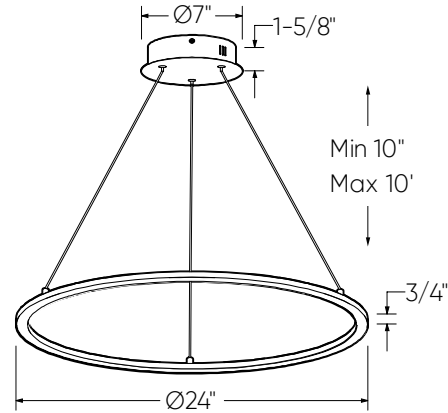
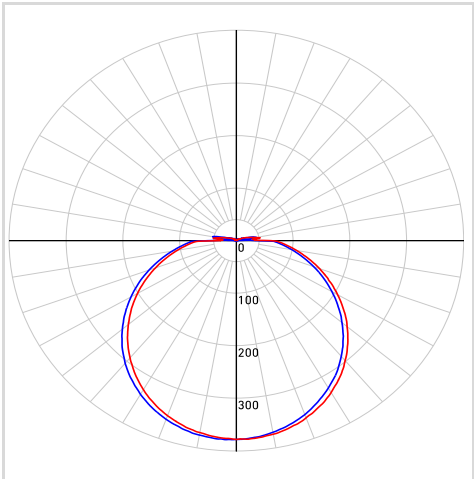


MODEL RGPLD24-CC

NAME Circa

24in circle pendant, 5CCT, Black
 illuminate your space in style with our 24-
 inch circular pendant, available in sleek
 black and opulent gold finishes,
 featuring adjustable 5CCT settings
 for customizable illumination
 that seamlessly blends style
 and functionalitv.


PROJECT
TYPE
DATE
QTY
NOTES


LIGHT DISTRIBUTION


*Lumen output measured at 3000k

QUICK SPECS

Size	24"
Watts (W)	28
Delivered lumens*	1500
CRI	80
Voltage (v)	120
Beam angle (deg)	120
Mounting	Screwed in
Lifespan (hrs)	50 000
Binning	5 SDCM
LED model	SMD 2835
Light direction	Down
Color temperature	2700K/3000K/3500K/4000K/5000K

ELECTRICAL DETAILS

Environment	Dry
Location	Indoor
Operating temp. (° C)	-20 to 40
IP rating	IP20
Input voltage (V)	110-135
Output voltage (V)	30-40
Output current (mA)	650
Power factor	50
Driver type	Constant current
THD	≤ 30%
Certifications	ETL, FCC, ICES

ORDERING GUIDE

RGPLD24-CC -

Finish

WH - White

BK - Black

GD - Gold

CONSTRUCTION

Lens material	Silicone
Lens type	Opal
Finish type	Painted
Housing material	Aluminum

WHAT'S IN THE BOX	ACCESSORIES	ADAPTORS
<ul style="list-style-type: none"> LED flush mount fixture Mounting bracket Mounting hardware Wire nuts Instruction sheet 		

RECOMMENDED DIMMER LIST*

BRAND	MODEL	DIMMER SPECS	GRADE	MIN	MAX	MAX LOAD
Dals	SM-DIMSW Smart Dimmer*	Triac, 250W LED/CFL	Compatible	5	100	9
Lutron	DVCL-153PR-WH-C*	Triac, 150 W Dimmable CFL/LED	Compatible	4	100	5
Lutron	CTCL-153PDH-WH-C*	Triac, 150 W Dimmable CFL/LED	Compatible	4	100	5
Lutron	STCL-153PH-WH-C*	Triac, 150 W Dimmable CFL/LED	Compatible	1	100	5
Lutron	MACL-153MRHW-WHC*	Triac, 150 W Dimmable CFL/LED	Compatible	1	100	5
Lutron	DVELV-300P-WH	300W electronic low voltage dimmer	Compatible	6	100	11
Lutron	MA-PRO-WH*	ELV, 250W LED/CFL	Compatible	2	100	9
Lutron	Caseta PD-6WCL-WH-R-C*	Triac, 300W Dimmable CFL/LED	Compatible	1	100	5
Lutron	Caseta PD-5NE-WH-C*	ELV, LED—up to 250 W	Compatible	4	100	9
Lutron	Caseta PD-10NXD-WH*	Triac, LED—up to 250 W	Compatible	2	100	9
Leviton	DSM10-1LZ*	Triac, 450W Dimmable CFL/LED	Compatible	4	100	16
Leviton	6674*	Triac, 150 W Dimmable CFL/LED	Compatible	5	100	5
Leviton	PL06-10Z*	Triac, 150 W Dimmable CFL/LED	Compatible	4	100	5
Leviton	DSL06-1LZ*	Triac, 150 W Dimmable CFL/LED	Compatible	4	100	5
Leviton	D26HD-742-1RW*	Triac, 300W LED/CFL	Compatible	7	100	11
Legrand	RHCL453PNICCV4*	Triac, 450W Dimmable CFL/LED	Compatible	8	100	16
Legrand	ADTP703TUM4*	Triac, 450W Dimmable CFL/LED	Compatible	11	100	16
Legrand	ADPD453LM2*	Triac, 450W Dimmable CFL/LED	Compatible	9	100	16
Legrand	RHL373PW*	Triac, 250W LED	Compatible	4	100	9
Control 4	C4-APD120-WH	ELV, 120W LED	Compatible	0	100	4
Control 4	C4-FPD120-WH	Triac, 200W LED	Compatible	0	100	7
Commercial Electric	HPDA311CWB*	Triac, 150W LED & CFL	Compatible	0	100	5
TP-Link	HS220*	Triac, 150 W, Dimmable LED (MLV)	Compatible	4	100	5

*With Low-End Adjustment Feature

Minimal buzzing noise may occur with some dimmers

WARRANTY

DALS offers a 5-year warranty from the date of purchase which covers repairs or replacement of defective parts of the housing, optics, and electronics. To contact DALS customer service call 1-877-430-1818 or send an e-mail to info@dals.com.