



# DALS LIGHTING

Canada  
80, de la Seigneurie Blvd., E.  
Blainville, Quebec J7C 4N1

U.S.A.  
4383, NW 124th Ave.,  
Coral Springs, Florida 33065

877.430.1818  
info@dals.com  
dals.com

**MODEL** GPN6-CC

**NAME** Fusion

6in round gimbal recessed panel

The Fusion is a slim gimbal recessed panel. Its gimbal design allows to direct light as needed, and the 5CCT feature provides color temperature versatility, making the Fusion an ideal choice for both residential and commercial applications.



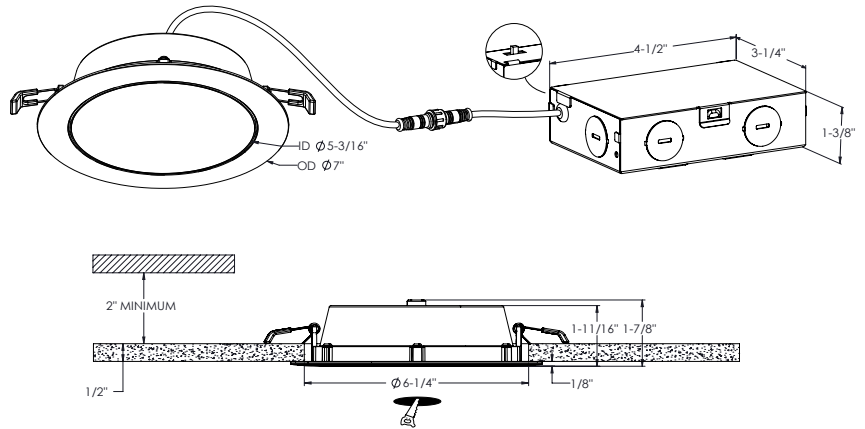
**PROJECT**

**TYPE**

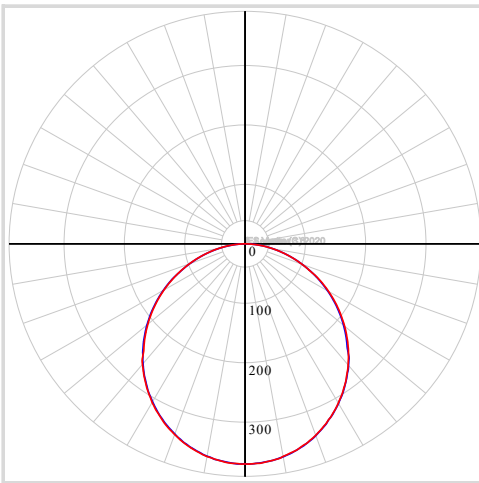
**DATE**

**QTY**

**NOTES**



**LIGHT DISTRIBUTION**



\*Lumen output measured at 3000k

**QUICK SPECS**

<b>Size</b>	6"
<b>Watts (W)</b>	13
<b>Delivered lumens*</b>	1050
<b>CRI</b>	90
<b>Voltage (v)</b>	120
<b>Beam angle (deg)</b>	110
<b>Cut hole size (in)</b>	6-1/4"
<b>Lifespan (hrs)</b>	50000
<b>FT rating</b>	FT6
<b>Binning</b>	7 SDCM
<b>LED model</b>	SMD 2835
<b>Color temperature</b>	2700K/3000K/3500K/4000K/5000K

**ELECTRICAL DETAILS**

<b>Environment</b>	Wet
<b>Location</b>	In/Out
<b>Operating temp. (° C)</b>	-25 to 40
<b>IP rating</b>	IP44
<b>Input voltage (V)</b>	120
<b>Output voltage (V)</b>	34
<b>Output current (mA)</b>	335
<b>Power factor</b>	90
<b>Driver type</b>	Constant current
<b>THD</b>	<20%
<b>Certifications</b>	ETL, FCC, ICES, ES, JA8
	IC, ASTM E283-04

**ORDERING GUIDE**

GPN6-CC - Voltage - Finish

**BLANK** - 120v  
Triac dimming

**V** - 120-277-347V  
0-10v dimming

**WH** - White ○

**BK** - Black ●

**CONSTRUCTION**

<b>Lens material</b>	PC
<b>Optic type</b>	Frosted lens
<b>Finish type</b>	Matte
<b>Housing material</b>	Aluminum

**WHAT'S IN THE BOX**

LED recessed fixture  
 Junction box  
 3x Push-in wire connectors  
 Mounting hardware  
 Instruction sheet

**ACCESSORIES**

[RFP-46](#)  
 Drilling plate  
  
[RFP-UNI](#)  
 Universal drilling plate

**ADAPTORS**

[GPN-CC-EXT8FT](#)  
 96" extension cord for recessed fixtures  
  
[GNP-CC-EXT20FT](#)  
 240" extension cord for recessed fixtures

**RECOMMENDED DIMMER LIST\***

BRAND	MODEL	DIMMER SPECS	GRADE	MIN	MAX	MAX LOAD
Dals	SM-DIMSW Smart Dimmer*	Triac, 250W LED/CFL	Compatible	7	100	19
Lutron	DVCL-153PR-WH-C*	Triac, 150 W Dimmable CFL/LED	Compatible	7	100	12
Lutron	CTCL-153PDH-WH-C*	Triac, 150 W Dimmable CFL/LED	Compatible	7	100	12
Lutron	STCL-153PH-WH-C*	Triac, 150 W Dimmable CFL/LED	Compatible	2	100	12
Lutron	MACL-153MRHW-WHC*	Triac, 150 W Dimmable CFL/LED	Compatible	1	100	12
Lutron	DVELV-300P-WH	300W electronic low voltage dimmer	Compatible	8	100	23
Lutron	MA-PRO-WH*	ELV, 250W LED/CFL	Compatible	2	100	19
Lutron	Caseta PD-6WCL-WH-R-C*	Triac, 300W Dimmable CFL/LED	Compatible	1	100	23
Lutron	Caseta PD-5NE-WH-C*	ELV, LED—up to 250 W	Compatible	6	100	19
Lutron	Caseta PD-10NXD-WH*	Triac, LED—up to 250 W	Compatible	1	100	19
Leviton	6674*	Triac, 150 W Dimmable CFL/LED	Compatible	10	100	12
Leviton	PL06-10Z*	Triac, 150 W Dimmable CFL/LED	Compatible	9	100	12
Leviton	DSL06-1LZ*	Triac, 150 W Dimmable CFL/LED	Compatible	9	100	12
Leviton	D26HD-742-1RW*	Triac, 300W LED/CFL	Compatible	11	100	23
Legrand	RHCL453PNICCV4*	Triac, 450W Dimmable CFL/LED	Compatible	11	100	35
Control 4	C4-APD120-WH	ELV, 120W LED	Compatible	0	100	9
Control 4	C4-FPD120-WH	Triac, 200W LED	Compatible	0	100	15
tp-link	HS220*	Triac, 150 W, Dimmable LED (MLV)	Compatible	5	100	12

\*With Low-End Adjustment Feature

Minimal buzzing noise may occur with some dimmers

**WARRANTY**

DALS offers a 5-year warranty from the date of purchase which covers repairs or replacement of defective parts of the housing, optics, and electronics. To contact DAL'S customer service call 1-877-430-1818 or send an e-mail to [info@dals.com](mailto:info@dals.com).