



# DALS LIGHTING

Canada  
80, de la Seigneurie blvd., E.  
Blainville, Quebec j7C 4N1

U.S.A.  
4383, NW 124th Ave.,  
Coral Springs, Florida 33065

877.430.1818  
info@dals.com  
dals.com

**MODEL** GPN4-CC

**NAME** Fusion

4in round gimbal recessed panel

The Fusion is a slim gimbal recessed panel. Its gimbal design allows to direct light as needed, and the 5CCT feature provides color temperature versatility, making the Fusion an ideal choice for both residential and commercial applications.



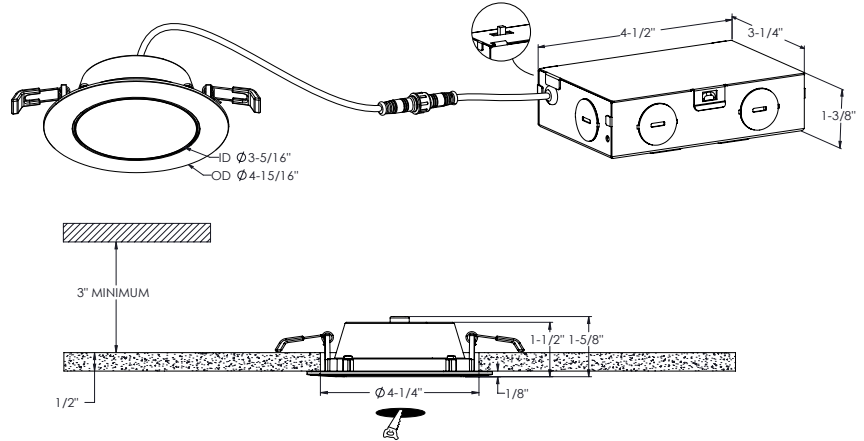
**PROJECT**

**TYPE**

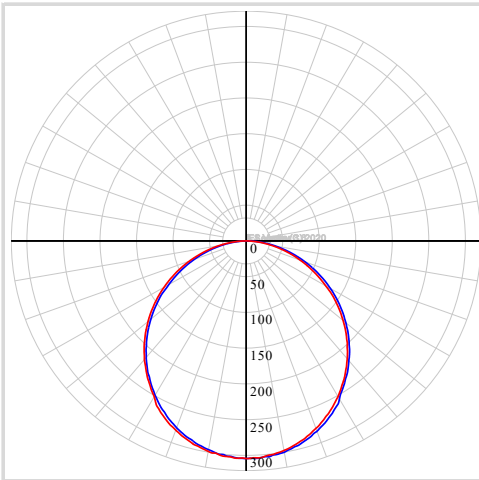
**DATE**

**QTY**

**NOTES**



## LIGHT DISTRIBUTION



\*Lumen output measured at 3000k

## QUICK SPECS

<b>Size</b>	4"
<b>Watts (W)</b>	10
<b>Delivered lumens*</b>	850
<b>CRI</b>	90
<b>Voltage (v)</b>	120
<b>Beam angle (deg)</b>	110
<b>Cut hole size (in)</b>	4-1/4"
<b>Lifespan (hrs)</b>	50000
<b>FT rating</b>	FT6
<b>Binning</b>	7 SDCM
<b>LED model</b>	SMD 2835
<b>Color temperature</b>	2700K/3000K/3500K/4000K/5000K

## ELECTRICAL DETAILS

<b>Environment</b>	Wet
<b>Location</b>	In/Out
<b>Operating temp. (° C)</b>	-25 to 40
<b>IP rating</b>	IP44
<b>Input voltage (V)</b>	120
<b>Output voltage (V)</b>	35.5
<b>Output current (mA)</b>	255
<b>Power factor</b>	90
<b>Driver type</b>	Constant current
<b>THD</b>	<20%
<b>Certifications</b>	ETL, FCC, ICES, ES, JA8
	IC, ASTM E283-04

## ORDERING GUIDE

GPN4-CC	-	Voltage	-	Finish
		<b>BLANK</b> - 120v Triac dimming		<b>WH</b> - White
		<b>V</b> - 120-277-347V 0-10v dimming		<b>BK</b> - Black

## CONSTRUCTION

<b>Lens material</b>	PC
<b>Optic type</b>	Frosted lens
<b>Finish type</b>	Matte
<b>Housing material</b>	Aluminum

**WHAT'S IN THE BOX**

LED recessed fixture  
 Junction box  
 3x Push-in wire connectors  
 Mounting hardware  
 Instruction sheet

**ACCESSORIES**

[RFP-46](#)  
 Drilling plate  
  
[RFP-UNI](#)  
 Universal drilling plate

**ADAPTORS**

[GPN-CC-EXT8FT](#)  
 96" extension cord for recessed fixtures  
  
[GNP-CC-EXT20FT](#)  
 240" extension cord for recessed fixtures

**RECOMMENDED DIMMER LIST\***

BRAND	MODEL	DIMMER SPECS	GRADE	MIN	MAX	MAX LOAD
Dals	SM-DIMSW Smart Dimmer*	Triac, 250W LED/CFL	Compatible	9	100	25
Lutron	DVCL-153PR-WH-C*	Triac, 150 W Dimmable CFL/LED	Compatible	9	100	15
Lutron	CTCL-153PDH-WH-C*	Triac, 150 W Dimmable CFL/LED	Compatible	9	100	15
Lutron	STCL-153PH-WH-C*	Triac, 150 W Dimmable CFL/LED	Compatible	3	100	15
Lutron	MACL-153MRHW-WHC*	Triac, 150 W Dimmable CFL/LED	Compatible	2	100	15
Lutron	DVELV-300P-WH	300W electronic low voltage dimmer	Compatible	11	100	30
Lutron	MA-PRO-WH*	ELV, 250W LED/CFL	Compatible	2	100	25
Lutron	Caseta PD-5NE-WH-C*	ELV, LED—up to 250 W	Compatible	6	100	25
Lutron	Caseta PD-10NXD-WH*	Triac, LED—up to 250 W	Compatible	2	100	25
Leviton	6674*	Triac, 150 W Dimmable CFL/LED	Compatible	13	100	15
Leviton	PL06-10Z*	Triac, 150 W Dimmable CFL/LED	Compatible	11	100	15
Leviton	DSL06-1LZ*	Triac, 150 W Dimmable CFL/LED	Compatible	11	100	15
Control 4	C4-APD120-WH	ELV, 120W LED	Compatible	0	100	12
Control 4	C4-FPD120-WH	Triac, 200W LED	Compatible	0	100	20
tp-link	HS220*	Triac, 150 W, Dimmable LED (MLV)	Compatible	6	100	15

\*With Low-End Adjustment Feature

*Minimal buzzing noise may occur with some dimmers*

**WARRANTY**

DALS offers a 5-year warranty from the date of purchase which covers repairs or replacement of defective parts of the housing, optics, and electronics. To contact DALS customer service call 1-877-430-1818 or send an e-mail to [info@dals.com](mailto:info@dals.com).