



DALS LIGHTING

Canada
80, de la Seigneurie blvd., E.
Blainville, Quebec j7C 4N1

U.S.A.
4383, NW 124th Ave.,
Coral Springs, Florida 33065

877.430.1818
info@dals.com
dals.com

MODEL GPN4-CC

NAME Fusion

4in round gimbal recessed panel

The Fusion is a slim gimbal recessed panel. Its gimbal design allows to direct light as needed, and the 5CCT feature provides color temperature versatility, making the Fusion an ideal choice for both residential and commercial applications.



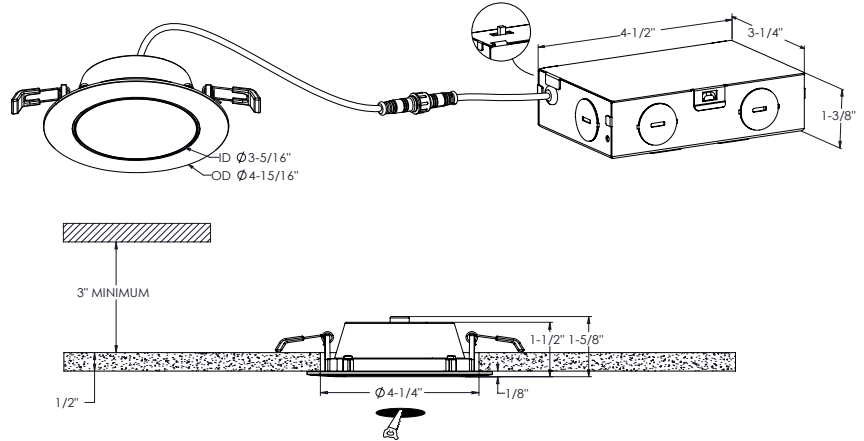
PROJECT

TYPE

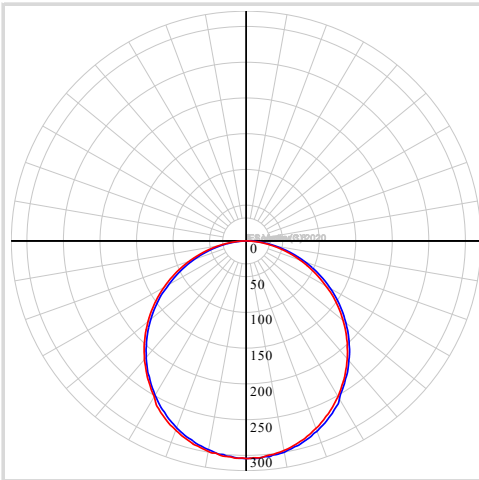
DATE

QTY

NOTES



LIGHT DISTRIBUTION



*Lumen output measured at 3000k

QUICK SPECS

Size	4"
Watts (W)	10
Delivered lumens*	850
CRI	90
Voltage (v)	120
Beam angle (deg)	110
Cut hole size (in)	4-1/4"
Lifespan (hrs)	50000
FT rating	FT6
Binning	7 SDCM
LED model	SMD 2835
Color temperature	2700K/3000K/3500K/4000K/5000K

ELECTRICAL DETAILS

Environment	Wet
Location	Indoor / Outdoor
Operating temp. (° C)	-25 to 40
IP rating	IP44
Input voltage (V)	120
Output voltage (V)	35.5
Output current (mA)	255
Power factor	90
Driver type	Constant current
THD	<20%
Certifications	ETL, FCC, ICES, ES, T24/JA8
Color temperature	IC, ASTM E283-04

ORDERING GUIDE

GPN4-CC	-	Voltage	-	Finish
		BLANK - 120v Triac dimming		WH - White
		V - 120-277-347V 0-10v dimming		BK - Black

CONSTRUCTION

Lens material	PC
Optic type	Frosted lens
Finish type	Matte
Housing material	Aluminum

WHAT'S IN THE BOX

LED recessed fixture
 Junction box
 3x Push-in wire connectors
 Mounting hardware
 Instruction sheet

ACCESSORIES

[RFP-46](#)
 Drilling plate

[RFP-UNI](#)
 Universal drilling plate

ADAPTORS

[GPN-CC-EXT8FT](#)
 96" extension cord for recessed fixtures

[GNP-CC-EXT20FT](#)
 240" extension cord for recessed fixtures

RECOMMENDED DIMMER LIST*

BRAND	MODEL	DIMMER SPECS	GRADE	MIN	MAX	MAX LOAD
Dals	SM-DIMSW Smart Dimmer*	Triac, 250W LED/CFL	Compatible	9	100	25
Lutron	DVCL-153PR-WH-C*	Triac, 150 W Dimmable CFL/LED	Compatible	9	100	15
Lutron	CTCL-153PDH-WH-C*	Triac, 150 W Dimmable CFL/LED	Compatible	9	100	15
Lutron	STCL-153PH-WH-C*	Triac, 150 W Dimmable CFL/LED	Compatible	3	100	15
Lutron	MACL-153MRHW-WHC*	Triac, 150 W Dimmable CFL/LED	Compatible	2	100	15
Lutron	DVELV-300P-WH	300W electronic low voltage dimmer	Compatible	11	100	30
Lutron	MA-PRO-WH*	ELV, 250W LED/CFL	Compatible	2	100	25
Lutron	Caseta PD-5NE-WH-C*	ELV, LED—up to 250 W	Compatible	6	100	25
Lutron	Caseta PD-10NXD-WH*	Triac, LED—up to 250 W	Compatible	2	100	25
Leviton	6674*	Triac, 150 W Dimmable CFL/LED	Compatible	13	100	15
Leviton	PL06-10Z*	Triac, 150 W Dimmable CFL/LED	Compatible	11	100	15
Leviton	DSL06-1LZ*	Triac, 150 W Dimmable CFL/LED	Compatible	11	100	15
Control 4	C4-APD120-WH	ELV, 120W LED	Compatible	0	100	12
Control 4	C4-FPD120-WH	Triac, 200W LED	Compatible	0	100	20
tp-link	HS220*	Triac, 150 W, Dimmable LED (MLV)	Compatible	6	100	15

*With Low-End Adjustment Feature

Minimal buzzing noise may occur with some dimmers

WARRANTY

DALS offers a 5-year warranty from the date of purchase which covers repairs or replacement of defective parts of the housing, optics, and electronics. To contact DALS customer service call 1-877-430-1818 or send an e-mail to info@dals.com.