

**MODEL** GBR35SQ-CC

**NAME** Revolve

3.5" Square Regressed Gimbal  
Downlight

Our Recessed family has grown with a new range of adjustable downlights. The effortless design and high functionality of these fixtures are sure to make a welcome addition in any room.



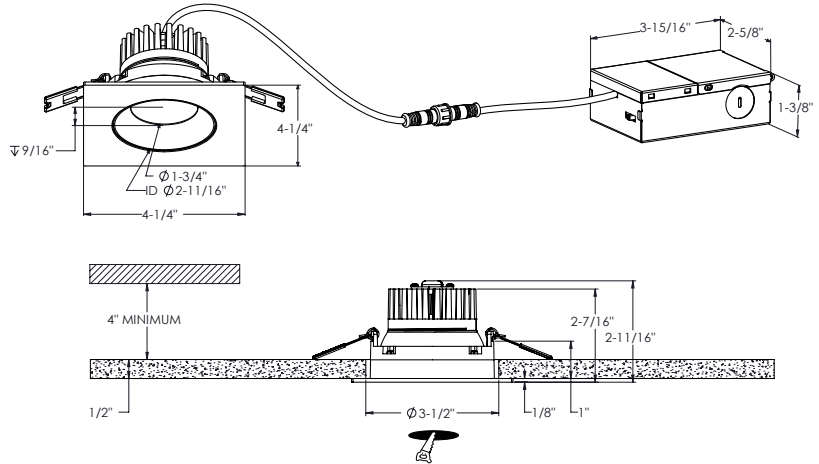
**PROJECT**

**TYPE**

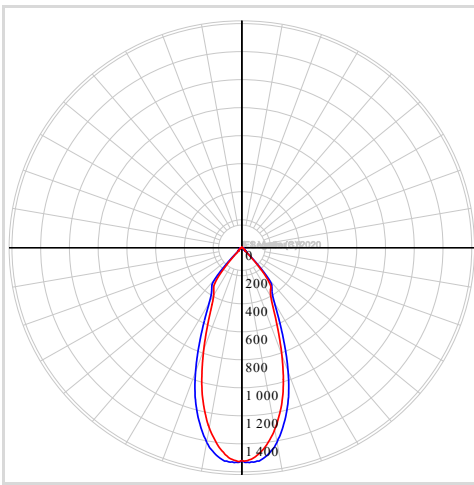
**DATE**

**QTY**

**NOTES**



**LIGHT DISTRIBUTION**



\*Lumen output measured at 3000k

**QUICK SPECS**

<b>Size</b>	3.5"
<b>Watts (W)</b>	12
<b>Delivered lumens*</b>	860
<b>CRI</b>	90
<b>Voltage (v)</b>	120
<b>Beam angle (deg)</b>	40°
<b>Cut hole size (in)</b>	3-1/2"
<b>Lifespan (hrs)</b>	50000
<b>FT rating</b>	FT6
<b>Binning</b>	3 SDCM
<b>LED model</b>	COB
<b>Color temperature</b>	2700K/3000K/3500K/4000K/5000K

**ELECTRICAL DETAILS**

<b>Environment</b>	wet
<b>Location</b>	Indoor/outdoor
<b>Operating temp. (° C)</b>	-20 to 45
<b>IP rating</b>	IP44
<b>Input voltage (V)</b>	120
<b>Output voltage (V)</b>	36.4V
<b>Output current (mA)</b>	292mA
<b>Power factor</b>	90
<b>Driver type</b>	Constant current
<b>THD</b>	<30%
<b>Certifications</b>	ETL, FCC, ICES, JA8
<b>IC, ASTM E283-04</b>	

**ORDERING GUIDE**

GBR35SQ-CC - Voltage - Finish

**BLANK** - 120v  
Triac dimming

**V** - 120-277-347V  
0-10v dimming

**WH** - White ○

**CONSTRUCTION**

<b>Lens material</b>	Plastic
<b>Optic type</b>	Optical lens
<b>Finish type</b>	Matte
<b>Housing material</b>	Aluminum

**WHAT'S IN THE BOX**

LED recessed fixture  
 Junction box  
 3x Push-in wire connectors  
 Mounting hardware  
 Instruction sheet

**ACCESSORIES**

[RFP-35](#)  
 Drilling plate

**ADAPTORS**

[REC-CC-EXT8FT](#)  
 96" extension cord for recessed fixtures  
  
[REC-CC-EXT20FT](#)  
 240" extension cord for recessed fixtures

**RECOMMENDED DIMMER LIST\***

BRAND	MODEL	DIMMER SPECS	GRADE	MIN	MAX	MAX LOAD
Dals	SM-DIMSW Smart Dimmer*	Triac, 250W LED/CFL	Compatible	8	100	21
Lutron	DVCL-153PR-WH-C*	Triac, 150 W Dimmable CFL/LED	Compatible	9	100	13
Lutron	STCL-153PH-WH-C*	Triac, 150 W Dimmable CFL/LED	Compatible	6	100	13
Lutron	DVWCL-153PH-WHC*	Triac, 150 W Dimmable CFL/LED	Compatible	9	100	13
Lutron	MACL-153MRHW-WHC*	Triac, 150 W Dimmable CFL/LED	Compatible	6	100	13
Lutron	DVELV-300P-WH	300W electronic low voltage dimmer	Compatible	10	96	25
Lutron	MA-PRO-WH*	ELV, 250W LED/CFL	Compatible	1	100	21
Lutron	Caseta PD-6WCL-WH-R-C*	Triac, 300W Dimmable CFL/LED	Compatible	6	100	25
Lutron	Caseta PD-5NE-WH-C*	ELV, LED—up to 250 W	Compatible	3	100	21
Lutron	Caseta PD-10NXD-WH*	Triac, LED—up to 250 W	Compatible	0	100	21
Leviton	DSM10-1LZ*	Triac, 450W Dimmable CFL/LED	Compatible	4	100	38
Leviton	PL06-10Z*	Triac, 150 W Dimmable CFL/LED	Compatible	11	100	13
Leviton	DSL06-1LZ*	Triac, 150 W Dimmable CFL/LED	Compatible	11	100	13
Control 4	C4-APD120-WH	ELV, 120W LED	Compatible	3	100	10
Control 4	C4-FPD120-WH	Triac, 200W LED	Compatible	4	100	17
tp-link	HS220*	Triac, 150 W, Dimmable LED (MLV)	Compatible	6	100	13

\*With Low-End Adjustment Feature

*Minimal buzzing noise may occur with some dimmers*

**WARRANTY**

DALS offers a 5-year warranty from the date of purchase which covers repairs or replacement of defective parts of the housing, optics, and electronics. To contact DALS customer service call 1-877-430-1818 or send an e-mail to [info@dals.com](mailto:info@dals.com).