

MODEL GBR35SQ-CC

NAME Revolve

3.5" Square Regressed Gimbal
Downlight

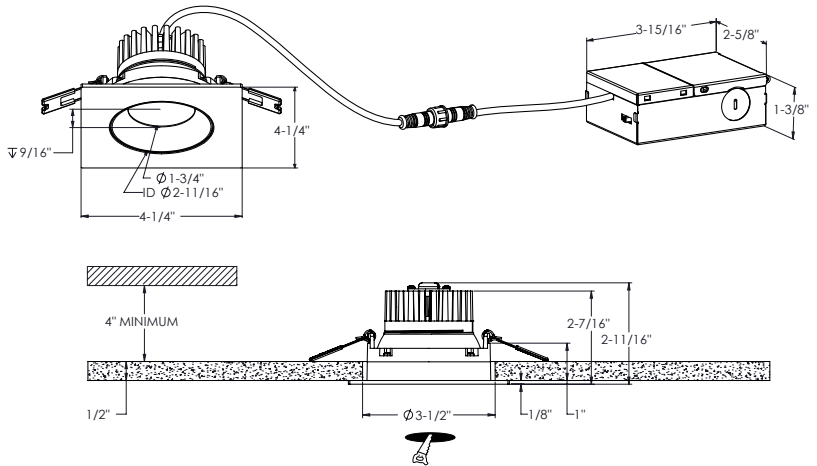
Our Recessed family has grown with a new range of adjustable downlights. The effortless design and high functionality of these fixtures are sure to make a welcome addition in any room.



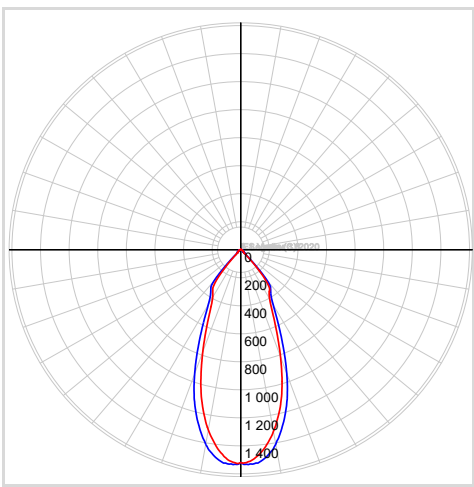
PROJECT _____ **TYPE** _____

DATE _____ **QTY** _____

NOTES



LIGHT DISTRIBUTION



*Lumen output measured at 3000k

QUICK SPECS

Size	3.5"
Watts (W)	12
Delivered lumens*	860
CRI	90
Voltage (v)	120
Beam angle (deg)	40°
Cut hole size (in)	3-1/2"
Lifespan (hrs)	50000
FT rating	FT6
Binning	3/8.1/7.8/6.9/4.4
LED model	COB
Color temperature	2700K/3000K/3500K/4000K/5000K

ELECTRICAL DETAILS

Environment	wet
Location	Indoor/outdoor
Operating temp. (° C)	-20 to 45
IP rating	IP44
Input voltage (V)	120
Output voltage (V)	36.4V
Output current (mA)	292mA
Power factor	90
Driver type	Constant current
THD	<30%
Certifications	ETL, FCC, ICES, JA8
	IC, ASTM E283-04

ORDERING GUIDE

GBR35SQ-CC - _____ - _____

Voltage

Finish

BLANK - 120v
Triac dimming

WH - White

BK - Black

V - 120-277-347V
0-10v dimming

CONSTRUCTION

Lens material	Plastic
Optic type	Optical lens
Finish type	Matte
Housing material	Aluminum

WHAT'S IN THE BOX

LED recessed fixture
 Junction box
 3x Push-in wire connectors
 Mounting hardware
 Instruction sheet

ACCESSORIES

[RFP-35](#)
 Drilling plate

ADAPTORS

[REC-CC-EXT8FT](#)
 96" extension cord for recessed fixtures

[REC-CC-EXT20FT](#)
 240" extension cord for recessed fixtures

RECOMMENDED DIMMER LIST*

BRAND	MODEL	DIMMER SPECS	GRADE	MIN	MAX	MAX LOAD
Dals	SM-DIMSW Smart Dimmer*	Triac, 250W LED/CFL	Compatible	8	100	21
Lutron	DVCL-153PR-WH-C*	Triac, 150 W Dimmable CFL/LED	Compatible	9	100	13
Lutron	STCL-153PH-WH-C*	Triac, 150 W Dimmable CFL/LED	Compatible	6	100	13
Lutron	DVWCL-153PH-WHC*	Triac, 150 W Dimmable CFL/LED	Compatible	9	100	13
Lutron	MACL-153MRHW-WHC*	Triac, 150 W Dimmable CFL/LED	Compatible	6	100	13
Lutron	DVELV-300P-WH	300W electronic low voltage dimmer	Compatible	10	96	25
Lutron	MA-PRO-WH*	ELV, 250W LED/CFL	Compatible	1	100	21
Lutron	Caseta PD-6WCL-WH-R-C*	Triac, 300W Dimmable CFL/LED	Compatible	6	100	25
Lutron	Caseta PD-5NE-WH-C*	ELV, LED—up to 250 W	Compatible	3	100	21
Lutron	Caseta PD-10NXD-WH*	Triac, LED—up to 250 W	Compatible	0	100	21
Leviton	DSM10-1LZ*	Triac, 450W Dimmable CFL/LED	Compatible	4	100	38
Leviton	PL06-10Z*	Triac, 150 W Dimmable CFL/LED	Compatible	11	100	13
Leviton	DSL06-1LZ*	Triac, 150 W Dimmable CFL/LED	Compatible	11	100	13
Control 4	C4-APD120-WH	ELV, 120W LED	Compatible	3	100	10
Control 4	C4-FPD120-WH	Triac, 200W LED	Compatible	4	100	17
tp-link	HS220*	Triac, 150 W, Dimmable LED (MLV)	Compatible	6	100	13

*With Low-End Adjustment Feature

Minimal buzzing noise may occur with some dimmers

WARRANTY

DALS offers a 5-year warranty from the date of purchase which covers repairs or replacement of defective parts of the housing, optics, and electronics. To contact DALS customer service call 1-877-430-1818 or send an e-mail to info@dals.com.