



DALS LIGHTING

Canada
80, de la Seigneurie blvd., E.
Blainville, Quebec J7C 4N1

U.S.A.
4383, NW 124th Ave.,
Coral Springs, Florida 33065

877.430.1818
info@dals.com
dals.com

MODEL GBR04-CC

NAME Revolve

4" Regressed Gimbal Downlight

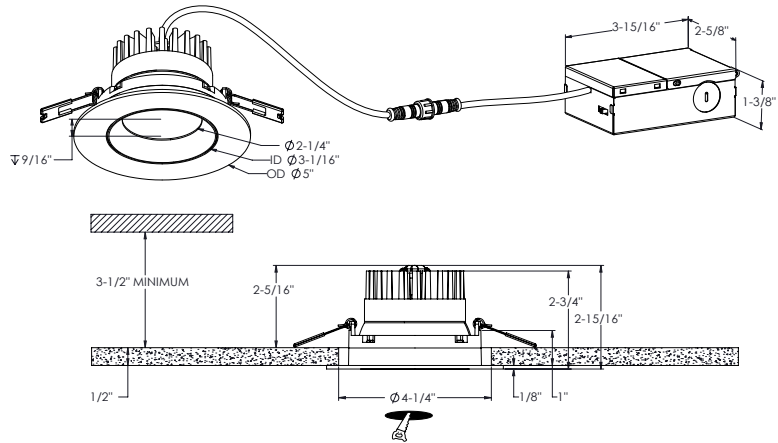
Our Recessed family has grown with a new range of adjustable downlights. The effortless design and high functionality of these fixtures are sure to make a welcome addition in any room.



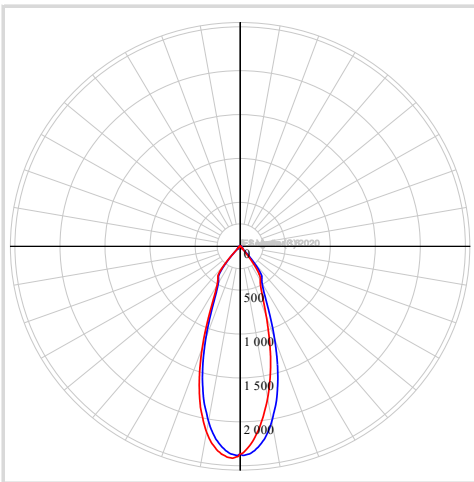
PROJECT _____ **TYPE** _____

DATE _____ **QTY** _____

NOTES



LIGHT DISTRIBUTION



*Lumen output measured at 3000k

QUICK SPECS

Size	4"
Watts (W)	15
Delivered lumens*	1240
CRI	90
Voltage (v)	120
Beam angle (deg)	36
Cut hole size (in)	4-1/4"
Lifespan (hrs)	50000
FT rating	FT6
Binning	3 SDCM
LED model	COB
Color temperature	2700K/3000K/3500K/4000K/5000K

ELECTRICAL DETAILS

Environment	Wet
Location	Indoor/outdoor
Operating temp. (° C)	-20 to 45
IP rating	IP44
Input voltage (V)	120
Output voltage (V)	35
Output current (mA)	366
Power factor	90
Driver type	Constant current
THD	<30%
Certifications	ETL, FCC, ICES, JA8
	IC, ASTM E283-04

ORDERING GUIDE

GBR04-CC	-	_____	-	_____
		Voltage		Finish
		BLANK - 120v Triac dimming		WH - White ○
		V - 120-277-347V 0-10v dimming		BK - Black ●

CONSTRUCTION

Lens material	Plastic
Optic type	Optical lens
Finish type	Matte
Housing material	Aluminum

WHAT'S IN THE BOX	ACCESSORIES	ADAPTORS
LED recessed fixture	RFP-46	REC-CC-EXT8FT
Junction box	Drilling plate	96" extension cord for recessed fixtures
3x Push-in wire connectors		
Mounting hardware	RFP-UNI	REC-CC-EXT20FT
Instruction sheet	Universal drilling plate	240" extension cord for recessed fixtures

RECOMMENDED DIMMER LIST*

BRAND	MODEL	DIMMER SPECS	GRADE	MIN	MAX	MAX LOAD
Dals	SM-DIMSW Smart Dimmer*	Triac, 250W LED/CFL	Compatible	5	100	17
Lutron	DVCL-153PR-WH-C*	Triac, 150 W Dimmable CFL/LED	Compatible	6	100	10
Lutron	CTCL-153PDH-WH-C*	Triac, 150 W Dimmable CFL/LED	Compatible	10	100	10
Lutron	STCL-153PH-WH-C*	Triac, 150 W Dimmable CFL/LED	Compatible	8	100	10
Lutron	DVWCL-153PH-WHC*	Triac, 150 W Dimmable CFL/LED	Compatible	8	100	10
Lutron	MACL-153MRHW-WHC*	Triac, 150 W Dimmable CFL/LED	Compatible	8	100	10
Lutron	DVELV-300P-WH	300W electronic low voltage dimmer	Compatible	7	100	20
Lutron	MA-PRO-WH*	ELV, 250W LED/CFL	Compatible	0	100	17
Lutron	Caseta PD-6WCL-WH-R-C*	Triac, 300W Dimmable CFL/LED	Compatible	6	100	20
Lutron	Caseta PD-5NE-WH-C*	ELV, LED—up to 250 W	Compatible	8	100	17
Lutron	Caseta PD-10NXD-WH*	Triac, LED—up to 250 W	Compatible	8	100	17
Leviton	DSM10-1LZ*	Triac, 450W Dimmable CFL/LED	Compatible	6	100	30
Leviton	6674*	Triac, 150 W Dimmable CFL/LED	Compatible	8	100	10
Leviton	PL06-10Z*	Triac, 150 W Dimmable CFL/LED	Compatible	7	100	10
Leviton	DSL06-1LZ*	Triac, 150 W Dimmable CFL/LED	Compatible	8	100	10
Leviton	D26HD-742-1RW*	Triac, 300W LED/CFL	Compatible	9	100	20
Legrand	RHCL453PNICCV4*	Triac, 450W Dimmable CFL/LED	Compatible	9	99	30
Control 4	C4-APD120-WH	ELV, 120W LED	Compatible	4	99	8
Control 4	C4-FPD120-WH	Triac, 200W LED	Compatible	5	99	13
tp-link	HS220*	Triac, 150 W, Dimmable LED (MLV)	Compatible	3	99	10

*With Low-End Adjustment Feature

Minimal buzzing noise may occur with some dimmers

WARRANTY

DALS offers a 5-year warranty from the date of purchase which covers repairs or replacement of defective parts of the housing, optics, and electronics. To contact DALS customer service call 1-877-430-1818 or send an e-mail to info@dals.com.