

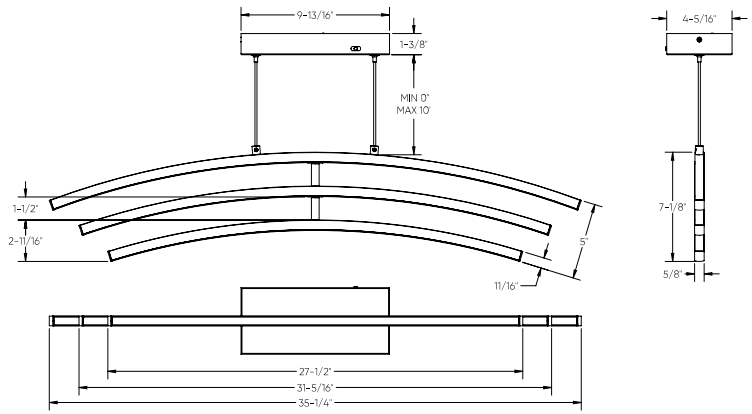
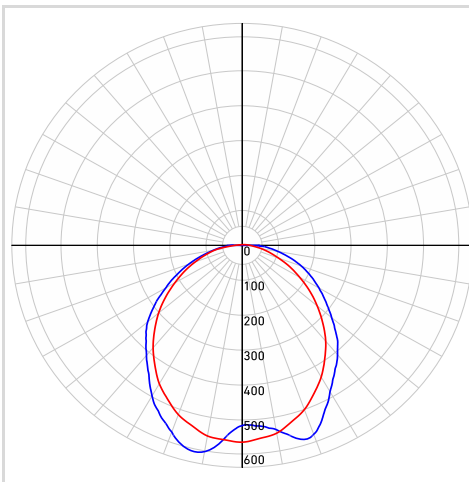
**MODEL** W3PD36-CC

**NAME** Spin

36in three curved branches pendant

Designed for versatility, this three-branch ultra-slim linear pendant is ideal for both residential and commercial spaces, effortlessly infusing any room with an ambiance of refined elegance.


**PROJECT**  **TYPE** 
**DATE**  **QTY** 
**NOTES**  


**LIGHT DISTRIBUTION**


\*Lumen output measured at 3000k

**QUICK SPECS**

<b>Size</b>	35-1/4"
<b>Watts (W)</b>	31
<b>Delivered lumens*</b>	1590
<b>CRI</b>	80
<b>Voltage (v)</b>	120
<b>Beam angle (deg)</b>	106
<b>Mounting</b>	Screwed in
<b>Lifespan (hrs)</b>	50 000
<b>Binning</b>	5 SDCM
<b>LED model</b>	SMD 2835
<b>Light direction</b>	Down
<b>Color temperature</b>	2700K/3000K/3500K/4000K/5000K

**ELECTRICAL DETAILS**

<b>Environment</b>	Dry
<b>Location</b>	Indoor
<b>Operating temp. (° C)</b>	-20 to 40
<b>IP rating</b>	IP20
<b>Input voltage (V)</b>	120
<b>Output voltage (V)</b>	35
<b>Output current (mA)</b>	800
<b>Power factor</b>	90
<b>Driver type</b>	Constant current
<b>THD</b>	≤ 30%
<b>Certifications</b>	ETL, FCC, ICES

**ORDERING GUIDE**

W3PD36-CC	-	<i>Finish</i>
		<b>BK</b> - Black
		<b>GD</b> - Gold

**CONSTRUCTION**

<b>Lens material</b>	PC
<b>Lens type</b>	Opal
<b>Finish type</b>	Painted
<b>Housing material</b>	Aluminum

**WHAT'S IN THE BOX**

LED pendant  
 Mounting bracket  
 Mounting hardware  
 Wire nuts  
 Instruction sheet

**ACCESSORIES****ADAPTORS****RECOMMENDED DIMMER LIST\***

BRAND	MODEL	DIMMER SPECS	GRADE	MIN	MAX	MAX LOAD
Dals	SM-DIMSW Smart Dimmer*	Triac, 250W LED/CFL	Compatible	4	100	8
Lutron	DVCL-153PR-WH-C*	Triac, 150 W Dimmable CFL/LED	Compatible	2	100	5
Lutron	CTCL-153PDH-WH-C*	Triac, 150 W Dimmable CFL/LED	Compatible	2	100	5
Lutron	STCL-153PH-WH-C*	Triac, 150 W Dimmable CFL/LED	Compatible	0	100	5
Lutron	MACL-153MRHW-WHC*	Triac, 150 W Dimmable CFL/LED	Compatible	0	100	5
Lutron	DVELV-300P-WH	300W electronic low voltage dimmer	Compatible	4	100	10
Lutron	MA-PRO-WH*	ELV, 250W LED/CFL	Compatible	1	100	8
Lutron	Caseta PD-6WCL-WH-R-C*	Triac, 300W Dimmable CFL/LED	Compatible	0	100	5
Lutron	Caseta PD-5NE-WH-C*	ELV, LED—up to 250 W	Compatible	3	100	8
Lutron	Caseta PD-10NXD-WH*	Triac, LED—up to 250 W	Compatible	0	100	8
Leviton	6674*	Triac, 150 W Dimmable CFL/LED	Compatible	4	100	5
Leviton	#PL06-10Z*	Triac, 150 W Dimmable CFL/LED	Compatible	3	100	5
Leviton	DSL06-1LZ*	Triac, 150 W Dimmable CFL/LED	Compatible	3	100	5
Leviton	D26HD-742-1RW*	Triac, 300W LED/CFL	Compatible	6	100	10
Legrand	RHCL453PNICCV4*	Triac, 450W Dimmable CFL/LED	Compatible	6	100	15
Legrand	ADTP703TUM4*	Triac, 450W Dimmable CFL/LED	Compatible	2	100	15
Legrand	ADPD453LM2*	Triac, 450W Dimmable CFL/LED	Compatible	9	100	15
Legrand	RHL373PW*	Triac, 250W LED	Compatible	3	100	8
Control 4	C4-APD120-WH	ELV, 120W LED	Compatible	0	100	4
Control 4	C4-FPD120-WH	Triac, 200W LED	Compatible	0	100	6
Commercial Electric	HPDA311CWB*	Triac, 150W LED & CFL	Compatible	0	100	5
TP-Link	HS220*	Triac, 150 W, Dimmable LED (MLV)	Compatible	2	100	5

\*With Low-End Adjustment Feature

Minimal buzzing noise may occur with some dimmers

**WARRANTY**

DALS offers a 5-year warranty from the date of purchase which covers repairs or replacement of defective parts of the housing, optics, and electronics. To contact DALS customer service call 1-877-430-1818 or send an e-mail to [info@dals.com](mailto:info@dals.com).