



DALS LIGHTING

Canada
80, de la Seigneurie blvd., E.
Blainville, Quebec j7C 4N1

U.S.A.
4383, NW 124th Ave.,
Coral Springs, Florida 33065

877.430.1818
info@dals.com
dals.com

MODEL SLPD60-CC

NAME Current

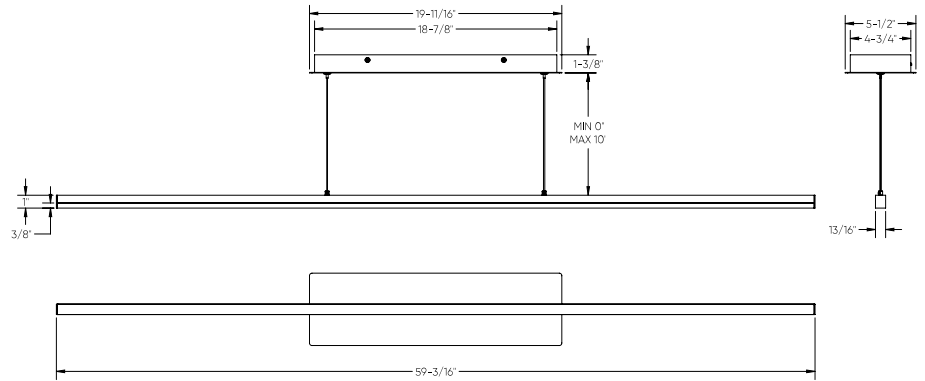
60in slim linear pendant, 5CCT - Black
Elevate your space with this sleek luminary, meticulously crafted to blend seamlessly into contemporary interiors. Its minimalist profile, characterized by a slender silhouette and unobtrusive design, not only illuminates your surroundings with a soft and uniform glow but also



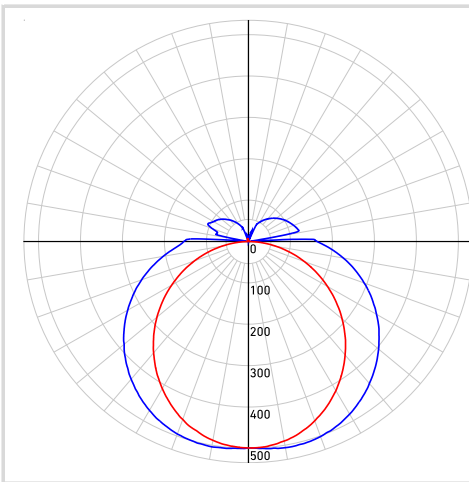
PROJECT [] **TYPE** []

DATE [] **QTY** []

NOTES



LIGHT DISTRIBUTION



*Lumen output measured at 3000k

QUICK SPECS

| | |
|--------------------------|-------------------------------|
| Size | 60" |
| Watts (W) | 32 |
| Delivered lumens* | 2140 |
| CRI | 80 |
| Voltage (v) | 120 |
| Beam angle (deg) | 130 |
| Mounting | Screwed in |
| Lifespan (hrs) | 50 000 |
| Binning | 5 SDCM |
| LED model | SMD 2835 |
| Light direction | 180 deg |
| Color temperature | 2700K/3000K/3500K/4000K/5000K |

ELECTRICAL DETAILS

| | |
|------------------------------|------------------|
| Environment | Damp |
| Location | Indoor |
| Operating temp. (° C) | -20 to 45 |
| IP rating | IP20 |
| Input voltage (V) | 120 |
| Output voltage (V) | 18-40 |
| Output current (mA) | 700 |
| Power factor | 99 |
| Driver type | Constant current |
| THD | ≤ 30% |
| Certifications | ETL, FCC, ICES |

ORDERING GUIDE

SLPD60-CC - []

Finish

WH - White ○

BK - Black ●

GD - Gold ●

CONSTRUCTION

| | |
|-------------------------|------------|
| Lens material | PC |
| Lens type | Matte opal |
| Finish type | Painted |
| Housing material | Aluminum |

| WHAT'S IN THE BOX | ACCESSORIES | ADAPTORS |
|--|-------------|----------|
| <ul style="list-style-type: none"> LED pendant Mounting bracket Mounting hardware Wire nuts Instruction sheet | | |

RECOMMENDED DIMMER LIST*

| BRAND | MODEL | DIMMER SPECS | GRADE | MIN | MAX | MAX LOAD |
|---------------------|------------------------|------------------------------------|------------|-----|-----|----------|
| Dals | SM-DIMSW Smart Dimmer* | Triac, 250W LED/CFL | Compatible | 5 | 100 | 8 |
| Lutron | DVCL-153PR-WH-C* | Triac, 150 W Dimmable CFL/LED | Compatible | 4 | 100 | 5 |
| Lutron | CTCL-153PDH-WH-C* | Triac, 150 W Dimmable CFL/LED | Compatible | 4 | 100 | 5 |
| Lutron | STCL-153PH-WH-C* | Triac, 150 W Dimmable CFL/LED | Compatible | 1 | 100 | 5 |
| Lutron | DVLV-600P-BL | Magnetic Low Voltage, 600VA / 450W | Compatible | 19 | 100 | 14 |
| Lutron | MACL-153MRHW-WHC* | Triac, 150 W Dimmable CFL/LED | Compatible | 1 | 100 | 5 |
| Lutron | DVELV-300P-WH | 300W electronic low voltage dimmer | Compatible | 6 | 84 | 9 |
| Lutron | MA-PRO-WH* | ELV, 250W LED/CFL | Compatible | 1 | 100 | 8 |
| Lutron | Caseta PD-6WCL-WH-R-C* | Triac, 300W Dimmable CFL/LED | Compatible | 0 | 100 | 5 |
| Lutron | Caseta PD-5NE-WH-C* | ELV, LED—up to 250 W | Compatible | 3 | 100 | 8 |
| Lutron | Caseta PD-10NXD-WH* | Triac, LED—up to 250 W | Compatible | 1 | 100 | 8 |
| Leviton | DSM10-1LZ* | Triac, 450W Dimmable CFL/LED | Compatible | 2 | 100 | 14 |
| Leviton | 6674* | Triac, 150 W Dimmable CFL/LED | Compatible | 7 | 100 | 5 |
| Leviton | PL06-10Z* | Triac, 150 W Dimmable CFL/LED | Compatible | 6 | 100 | 5 |
| Leviton | DSL06-1LZ* | Triac, 150 W Dimmable CFL/LED | Compatible | 5 | 100 | 5 |
| Leviton | D26HD-742-1RW* | Triac, 300W LED/CFL | Compatible | 0 | 100 | 9 |
| Legrand | RHCL453PNICCV4* | Triac, 450W Dimmable CFL/LED | Compatible | 8 | 100 | 14 |
| Legrand | ADTP703TUM4* | Triac, 450W Dimmable CFL/LED | Compatible | 1 | 100 | 14 |
| Control 4 | C4-APD120-WH | ELV, 120W LED | Compatible | 0 | 100 | 4 |
| Control 4 | C4-FPD120-WH | Triac, 200W LED | Compatible | 0 | 100 | 6 |
| Commercial Electric | HPDA311CWb* | Triac, 150W LED & CFL | Compatible | 0 | 100 | 5 |
| TP-Link | HS220* | Triac, 150 W, Dimmable LED (MLV) | Compatible | 3 | 100 | 5 |

*With Low-End Adjustment Feature

Minimal buzzing noise may occur with some dimmers

WARRANTY

DALS offers a 5-year warranty from the date of purchase which covers repairs or replacement of defective parts of the housing, optics, and electronics. To contact DALS customer service call 1-877-430-1818 or send an e-mail to info@dals.com.