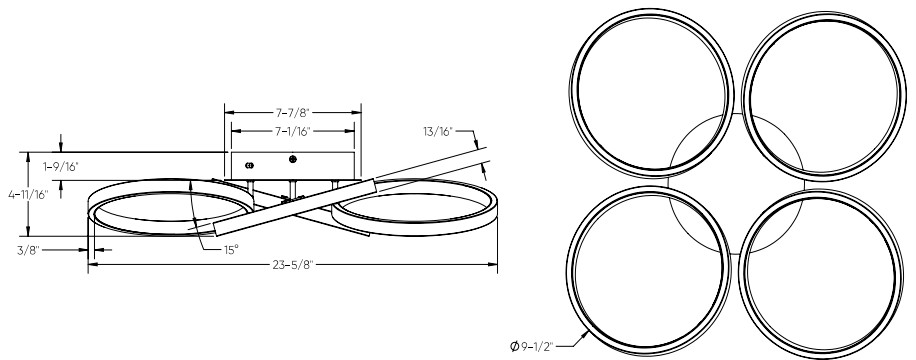
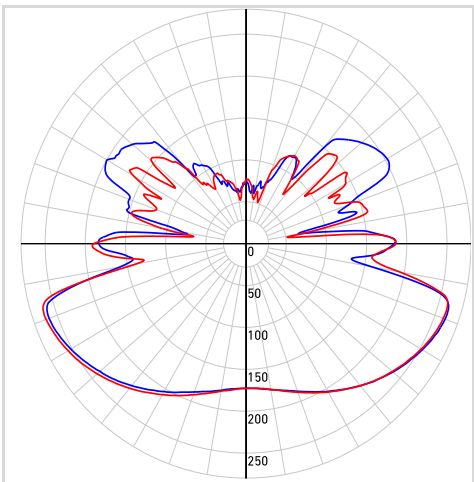


MODEL CCFM-CC

NAME Hover

4-ring flush mount, 5CCT

Rise to the occasion – crafted to ascend in design, this versatile fixture adds a contemporary touch to any room, bringing a sleek and efficient aesthetic to your space.


PROJECT
TYPE
DATE
QTY
NOTES

LIGHT DISTRIBUTION


*Lumen output measured at 3000k

QUICK SPECS

Size	23-1/2"
Watts (W)	42
Delivered lumens*	2250
CRI	80
Voltage (v)	120
Beam angle (deg)	0
Mounting	0
Lifespan (hrs)	50000
Binning	0
LED model	SMD 2835
Light direction	0
Color temperature	2700K/3000K/3500K/4000K/5000K

ELECTRICAL DETAILS

Environment	Dry
Location	Indoor
Operating temp. (° C)	-20 to 45
IP rating	IP20
Input voltage (V)	120
Output voltage (V)	18-49
Output current (mA)	1000mA
Power factor	99
Driver type	0
THD	0
Certifications	ETL, FCC, ICES

ORDERING GUIDE

CCFM-CC	-	Finish
		BK - Black
		GD - Gold

CONSTRUCTION

Lens material	PVC
Lens type	0
Finish type	Painted
Housing material	Iron

WHAT'S IN THE BOX	ACCESSORIES	ADAPTORS
<ul style="list-style-type: none"> LED flush mount fixture Mounting bracket Mounting hardware Wire nuts Instruction sheet 		

RECOMMENDED DIMMER LIST*

BRAND	MODEL	DIMMER SPECS	GRADE	MIN	MAX	MAX LOAD
Dals	SM-DIMSW Smart Dimmer*	Triac, 250W LED/CFL	Compatible	6	100	6
Lutron	DVCL-153PR-WH-C*	Triac, 150 W Dimmable CFL/LED	Compatible	6	100	4
Lutron	CTCL-153PDH-WH-C*	Triac, 150 W Dimmable CFL/LED	Compatible	6	100	4
Lutron	STCL-153PH-WH-C*	Triac, 150 W Dimmable CFL/LED	Compatible	1	100	4
Lutron	MACL-153MRHW-WHC*	Triac, 150 W Dimmable CFL/LED	Compatible	1	100	4
Lutron	DVELV-300P-WH	300W electronic low voltage dimmer	Compatible	7	89	7
Lutron	MA-PRO-WH*	ELV, 250W LED/CFL	Compatible	2	100	6
Lutron	Caseta PD-6WCL-WH-R-C*	Triac, 300W Dimmable CFL/LED	Compatible	1	100	4
Lutron	Caseta PD-5NE-WH-C*	ELV, LED—up to 250 W	Compatible	3	100	6
Lutron	Caseta PD-10NXD-WH*	Triac, LED—up to 250 W	Compatible	1	100	6
Leviton	6674*	Triac, 150 W Dimmable CFL/LED	Compatible	8	100	4
Leviton	¶PL06-10Z*	Triac, 150 W Dimmable CFL/LED	Compatible	7	100	4
Leviton	DSL06-1LZ*	Triac, 150 W Dimmable CFL/LED	Compatible	7	100	4
Leviton	D26HD-742-1RW*	Triac, 300W LED/CFL	Compatible	9	100	7
Legrand	RHCL453PNICCV4*	Triac, 450W Dimmable CFL/LED	Compatible	10	100	11
Legrand	ADTP703TUM4*	Triac, 450W Dimmable CFL/LED	Compatible	10	89	11
Control 4	C4-APD120-WH	ELV, 120W LED	Compatible	0	100	3
Control 4	C4-FPD120-WH	Triac, 200W LED	Compatible	0	100	5
Commercial Electric	HPDA311CWB*	Triac, 150W LED & CFL	Compatible	0	100	4
tp-link	HS220*	Triac, 150 W, Dimmable LED (MLV)	Compatible	4	100	4

*With Low-End Adjustment Feature

Minimal buzzing noise may occur with some dimmers

WARRANTY

DALS offers a 5-year warranty from the date of purchase which covers repairs or replacement of defective parts of the housing, optics, and electronics. To contact DALS customer service call 1-877-430-1818 or send an e-mail to info@dals.com.