



DALS LIGHTING

Canada
80, de la Seigneurie Blvd., E.
Blainville, Quebec J7C 4N1

U.S.A.
4383, NW 124th Ave.,
Coral Springs, Florida 33065

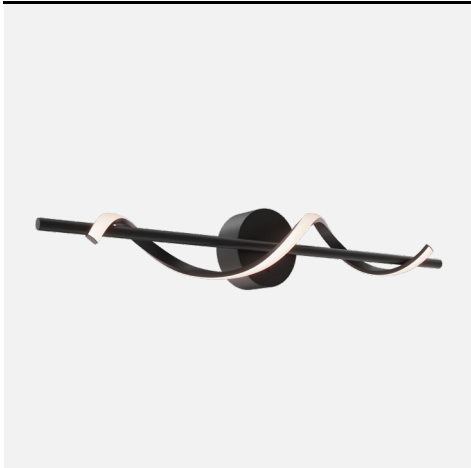
877.430.1818
info@dals.com
dals.com

MODEL BRV36-CC

NAME Spin sconce

36" Spin Sconce

As members of the Spin family, these sleek 24 and 36-inch wall-mounted sconces add a touch of architectural brilliance to any space.



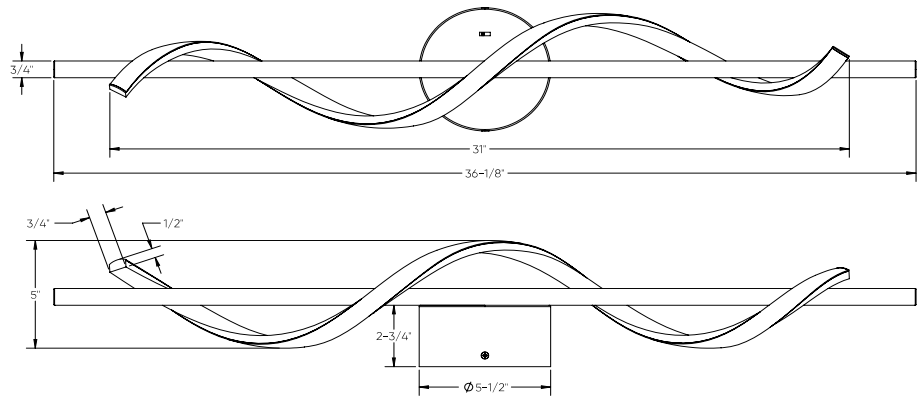
PROJECT

TYPE

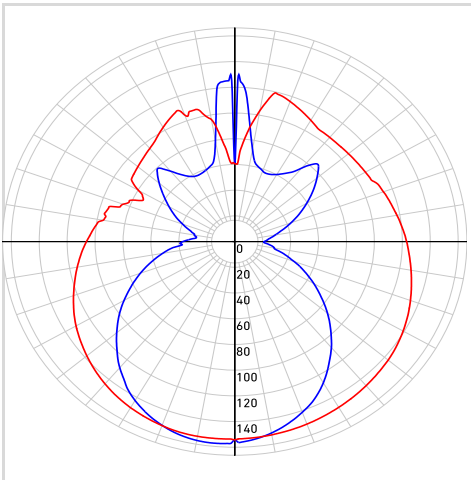
DATE

QTY

NOTES



LIGHT DISTRIBUTION



QUICK SPECS

Size	36"
Watts (W)	22
Delivered lumens*	1140
CRI	80
Voltage (v)	120
Beam angle (deg)	350
Mounting	Screwed in
Lifespan (hrs)	50 000
Binning	3 SDCM
LED model	SMD 2835
Light direction	All around
Color temperature	2700K/3000K/3500K/4000K/5000K

ELECTRICAL DETAILS

Environment	Damp
Location	Indoor
Operating temp. (° C)	-20 to 40
IP rating	IP44
Input voltage (V)	120
Output voltage (V)	24-36
Output current (mA)	500
Power factor	90
Driver type	Constant current
THD	≤ 15%
Certifications	ETL, FCC, ICES

*Lumen output measured at 3000k

ORDERING GUIDE

BRV36-CC -
Finish
BK - Black

CONSTRUCTION

Lens material	Silicone
Lens type	Frosted
Finish type	Painted
Housing material	Aluminum

WHAT'S IN THE BOX

LED wall mount fixture
 Mounting bracket
 Mounting hardware
 Wire nuts
 Instruction sheet

ACCESSORIES**ADAPTORS****RECOMMENDED DIMMER LIST***

BRAND	MODEL	DIMMER SPECS	GRADE	MIN	MAX	MAX LOAD
Lutron	DVCL-153PR-WH-C*	Triac, 150 W Dimmable CFL/LED	Compatible	11	100	7
Lutron	CTCL-153PDH-WH-C*	Triac, 150 W Dimmable CFL/LED	Compatible	11	100	7
Lutron	STCL-153PH-WH-C*	Triac, 150 W Dimmable CFL/LED	Compatible	4	100	7
Lutron	MACL-153MRHW-WHC*	Triac, 150 W Dimmable CFL/LED	Compatible	3	100	7
Lutron	MA-PRO-WH*	ELV, 250W LED/CFL	Compatible	4	100	11
Lutron	Caseta PD-6WCL-WH-R-C*	Triac, 300W Dimmable CFL/LED	Compatible	0	101	7
Lutron	Caseta PD-5NE-WH-C*	ELV, LED—up to 250 W	Compatible	9	100	11
Lutron	Caseta PD-10NXD-WH*	Triac, LED—up to 250 W	Compatible	3	100	11
Leviton	DSM10-1LZ*	Triac, 450W Dimmable CFL/LED	Compatible	8	100	20
Leviton	6674*	Triac, 150 W Dimmable CFL/LED	Compatible	1	100	7
Leviton	PL06-10Z*	Triac, 150 W Dimmable CFL/LED	Compatible	12	100	7
Leviton	DSL06-1LZ*	Triac, 150 W Dimmable CFL/LED	Compatible	12	100	7
Legrand	RHL373PW*	Triac, 250W LED	Compatible	9	100	11
Control 4	C4-APD120-WH	ELV, 120W LED	Compatible	1	100	5
Control 4	C4-FPD120-WH	Triac, 200W LED	Compatible	1	100	9
TP-Link	HS220*	Triac, 150 W, Dimmable LED (MLV)	Compatible	9	100	7

*With Low-End Adjustment Feature

Minimal buzzing noise may occur with some dimmers

WARRANTY

DALS offers a 5-year warranty from the date of purchase which covers repairs or replacement of defective parts of the housing, optics, and electronics. To contact DAL'S customer service call 1-877-430-1818 or send an e-mail to info@dals.com.