



# DALS LIGHTING

Canada  
80, de la Seigneurie Blvd., E.  
Blainville, Quebec J7C 4N1

U.S.A.  
4383, NW 124th Ave.,  
Coral Springs, Florida 33065

877.430.1818  
info@dals.com  
dals.com

**MODEL** BRV24-CC

**NAME** Spin sconce

24" Spin Sconce

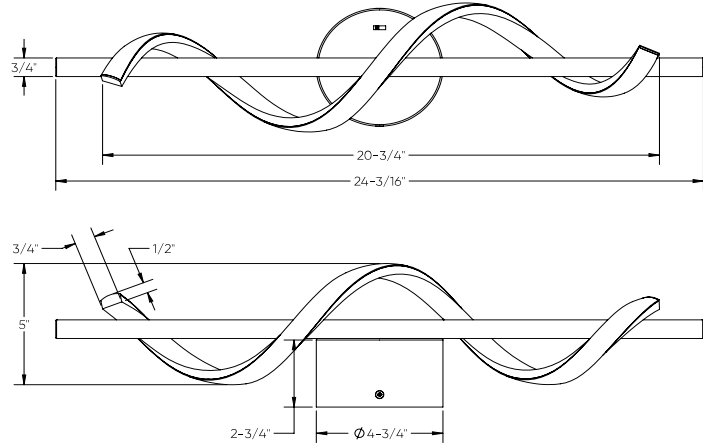
As members of the Spin family, these sleek 24 and 36-inch wall-mounted sconces add a touch of architectural brilliance to any space.



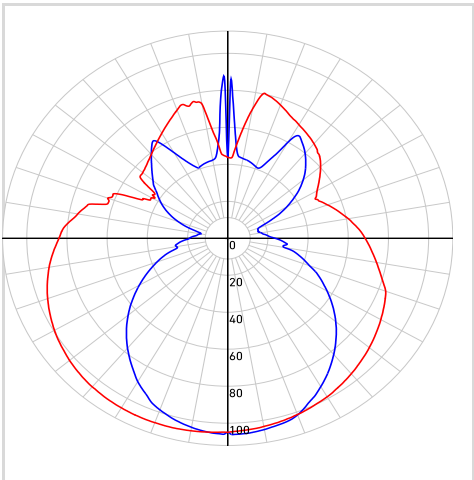
**PROJECT** [ ] **TYPE** [ ]

**DATE** [ ] **QTY** [ ]

**NOTES**



### LIGHT DISTRIBUTION



\*Lumen output measured at 3000k

### QUICK SPECS

<b>Size</b>	24"
<b>Watts (W)</b>	15
<b>Delivered lumens*</b>	760
<b>CRI</b>	80
<b>Voltage (v)</b>	120
<b>Beam angle (deg)</b>	350
<b>Mounting</b>	Screwed in
<b>Lifespan (hrs)</b>	50 000
<b>Binning</b>	3 SDCM
<b>LED model</b>	SMD 2835
<b>Light direction</b>	All around
<b>Color temperature</b>	2700K/3000K/3500K/4000K/5000K

### ELECTRICAL DETAILS

<b>Environment</b>	Damp
<b>Location</b>	Indoor
<b>Operating temp. (° C)</b>	-20 to 40
<b>IP rating</b>	IP44
<b>Input voltage (V)</b>	120
<b>Output voltage (V)</b>	24-36
<b>Output current (mA)</b>	350
<b>Power factor</b>	90
<b>Driver type</b>	Constant current
<b>THD</b>	≤ 15%
<b>Certifications</b>	ETL, FCC, ICES

### ORDERING GUIDE

BRV24-CC - [ ]  
Finish  
**BK** - Black ●

### CONSTRUCTION

<b>Lens material</b>	Silicone
<b>Lens type</b>	Frosted
<b>Finish type</b>	Painted
<b>Housing material</b>	Aluminum

**WHAT'S IN THE BOX**

LED wall mount fixture  
 Mounting bracket  
 Mounting hardware  
 Wire nuts  
 Instruction sheet

**ACCESSORIES****ADAPTORS****RECOMMENDED DIMMER LIST\***

BRAND	MODEL	DIMMER SPECS	GRADE	MIN	MAX	MAX LOAD
Dals	SM-DIMSW Smart Dimmer*	Triac, 250W LED/CFL	Compatible	12	100	17
Lutron	DVCL-153PR-WH-C*	Triac, 150 W Dimmable CFL/LED	Compatible	8	100	10
Lutron	CTCL-153PDH-WH-C*	Triac, 150 W Dimmable CFL/LED	Compatible	8	100	10
Lutron	STCL-153PH-WH-C*	Triac, 150 W Dimmable CFL/LED	Compatible	2	100	10
Lutron	MACL-153MRHW-WHC*	Triac, 150 W Dimmable CFL/LED	Compatible	1	100	10
Lutron	DVELV-300P-WH	300W electronic low voltage dimmer	Compatible	9	96	20
Lutron	MA-PRO-WH*	ELV, 250W LED/CFL	Compatible	1	100	17
Lutron	Caseta PD-6WCL-WH-R-C*	Triac, 300W Dimmable CFL/LED	Compatible	1	100	10
Lutron	Caseta PD-5NE-WH-C*	ELV, LED—up to 250 W	Compatible	5	100	17
Lutron	Caseta PD-10NXD-WH*	Triac, LED—up to 250 W	Compatible	1	100	17
Leviton	DSM10-1LZ*	Triac, 450W Dimmable CFL/LED	Compatible	4	100	30
Leviton	6674*	Triac, 150 W Dimmable CFL/LED	Compatible	10	100	10
Leviton	PL06-10Z*	Triac, 150 W Dimmable CFL/LED	Compatible	9	100	10
Leviton	DSL06-1LZ*	Triac, 150 W Dimmable CFL/LED	Compatible	9	100	10
Legrand	RHCL453PNICCV4*	Triac, 450W Dimmable CFL/LED	Compatible	11	100	30
Legrand	RHL373PW*	Triac, 250W LED	Compatible	6	100	17
Control 4	C4-APD120-WH	ELV, 120W LED	Compatible	0	100	8
Control 4	C4-FPD120-WH	Triac, 200W LED	Compatible	1	101	13
TP-Link	HS220*	Triac, 150 W, Dimmable LED (MLV)	Compatible	6	100	10

\*With Low-End Adjustment Feature

Minimal buzzing noise may occur with some dimmers

**WARRANTY**

DALS offers a 5-year warranty from the date of purchase which covers repairs or replacement of defective parts of the housing, optics, and electronics. To contact DALS customer service call 1-877-430-1818 or send an e-mail to [info@dals.com](mailto:info@dals.com).