



# DALS LIGHTING

Canada  
80, de la Seigneurie blvd., E.  
Blainville, Quebec j7C 4N1

U.S.A.  
4383, NW 124th Ave.,  
Coral Springs, Florida 33065

877.430.1818  
info@dals.com  
dals.com

**MODEL** 5006-FR-CC

**NAME** Excel

6" recessed panel, 2hrs Fire rated

Our new LED Panel lights are more accessible than ever before. The sleek and minimal construction allows for the easiest of installations.

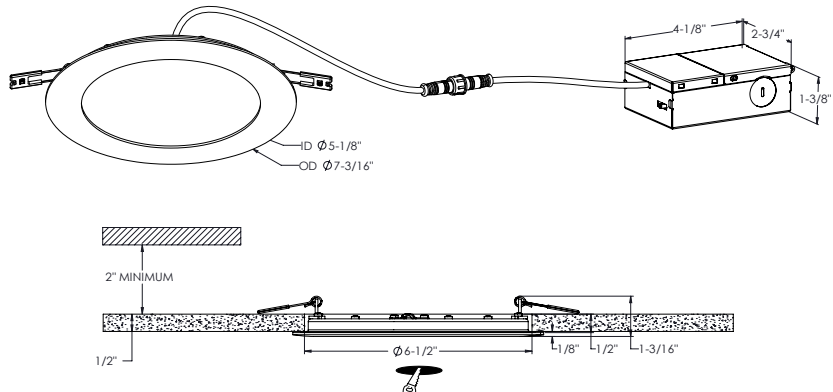
**PROJECT**

**TYPE**

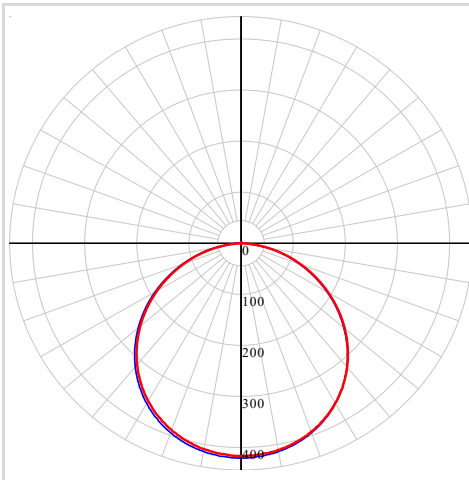
**DATE**

**QTY**

**NOTES**



## LIGHT DISTRIBUTION



\*Lumen output measured at 3000k

## QUICK SPECS

<b>Size</b>	6"
<b>Watts (W)</b>	14
<b>Delivered lumens*</b>	1230
<b>CRI</b>	80
<b>Voltage (v)</b>	120
<b>Beam angle (deg)</b>	110
<b>Cut hole size (in)</b>	6-1/2"
<b>Lifespan (hrs)</b>	50000
<b>FT rating</b>	FT6
<b>Binning</b>	4 SDCM
<b>LED model</b>	SMD 2835
<b>Certifications</b>	ETL, FCC, ICES, T24/JA8, IC, ASTM E283-04

## ELECTRICAL DETAILS

<b>Environment</b>	Wet
<b>Location</b>	Indoor/Outdoor
<b>Operating temp. (° C)</b>	-20 to 40
<b>IP rating</b>	IP44
<b>Input voltage (V)</b>	120
<b>Output voltage (V)</b>	32-48VDC
<b>Output current (mA)</b>	320
<b>Power factor (%)</b>	90
<b>Driver type</b>	Constant current
<b>THD</b>	<30%
<b>Color temperature</b>	2700K/3000K/3500K/ 4000K/5000K

2-hour fire-rated without additional housing or hardware (in accordance with UL 263, ASTM E119, and CAN ULC S101) with UL L556 floor-ceiling assembly

## ORDERING GUIDE

5006-FR-CC	-	<input type="text"/>	-	<input type="text"/>
		Voltage		Finish
		<b>BLANK</b> - 120v Triac dimming		<b>WH</b> - White <input type="radio"/>

## CONSTRUCTION

<b>Lens material</b>	Plastic
<b>Optic type</b>	Frosted lens
<b>Finish type</b>	Half shinny
<b>Housing material</b>	Aluminum

**WHAT'S IN THE BOX**

LED recessed fixture  
 Junction box  
 3x Push-in wire connectors  
 Mounting hardware  
 Instruction sheet

**ACCESSORIES**

[RFP-46](#)  
 Drilling plate  
  
[RFP-UNI](#)  
 Universal drilling plate

**ADAPTORS**

[REC-CC-EXT8FT](#)  
 96" extension cord for recessed fixtures  
  
[REC-CC-EXT20FT](#)  
 240" extension cord for recessed fixtures

**RECOMMENDED DIMMER LIST\***

BRAND	MODEL	DIMMER SPECS	GRADE	MIN	MAX	MAX LOAD
Dals	SM-DIMSW Smart Dimmer*	Triac, 250W LED/CFL	Compatible	9	100	18
Lutron	DVCL-153PR-WH-C*	Triac, 150 W Dimmable CFL/LED	Compatible	8	100	11
Lutron	CTCL-153PDH-WH-C*	Triac, 150 W Dimmable CFL/LED	Compatible	7	100	11
Lutron	STCL-153PH-WH-C*	Triac, 150 W Dimmable CFL/LED	Compatible	1	99	11
Lutron	MACL-153MRHW-WHC*	Triac, 150 W Dimmable CFL/LED	Compatible	3	99	11
Lutron	DVELV-300P-WH	300W electronic low voltage dimmer	Compatible	8	99	21
Lutron	MA-PRO-WH*	ELV, 250W LED/CFL	Compatible	0	100	18
Lutron	Caseta PD-6WCL-WH-R-C*	Triac, 300W Dimmable CFL/LED	Compatible	1	100	11
Lutron	Caseta PD-5NE-WH-C*	ELV, LED—up to 250 W	Compatible	4	100	18
Lutron	Caseta PD-10NXD-WH*	Triac, LED—up to 250 W	Compatible	1	99	18
Control 4	C4-APD120-WH	ELV, 120W LED	Compatible	2	100	9
TP-Link	HS220*	Triac, 150 W, Dimmable LED (MLV)	Compatible	4	100	11

\*With Low-End Adjustment Feature

*Minimal buzzing noise may occur with some dimmers*

**WARRANTY**

DALS offers a 5-year warranty from the date of purchase which covers repairs or replacement of defective parts of the housing, optics, and electronics. To contact DALS customer service call 1-877-430-1818 or send an e-mail to [info@dals.com](mailto:info@dals.com).