



DALS LIGHTING

Canada
80, de la Seigneurie blvd., E.
Blainville, Quebec j7C 4N1

U.S.A.
4383, NW 124th Ave.,
Coral Springs, Florida 33065

877.430.1818
info@dals.com
dals.com

MODEL 5004-FR-CC

NAME Excel

4" recessed panel, 2hrs Fire rated

Our new LED Panel lights are more accessible than ever before. The sleek and minimal construction allows for the easiest of installations.

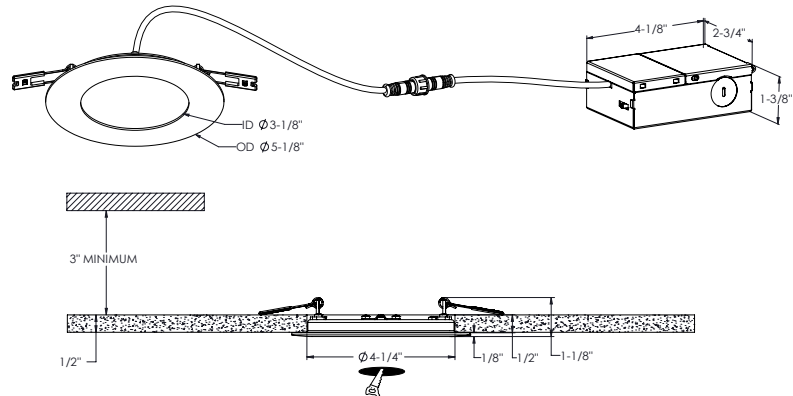
PROJECT

TYPE

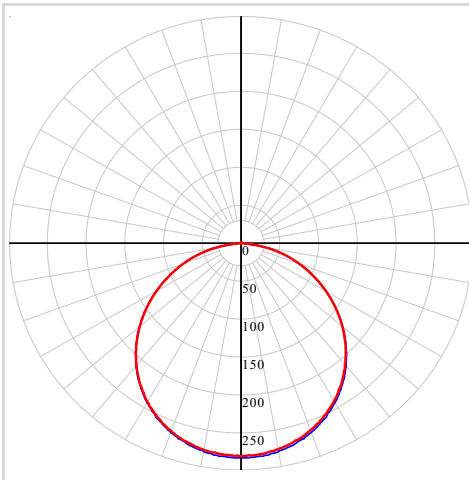
DATE

QTY

NOTES



LIGHT DISTRIBUTION



*Lumen output measured at 3000k

QUICK SPECS

Size	4"
Watts (W)	11
Delivered lumens*	825
CRI	80
Voltage (v)	120
Beam angle (deg)	110
Cut hole size (in)	4-1/4"
Lifespan (hrs)	50000
FT rating	FT6
Binning	4 SDCM
LED model	SMD 2835
Certifications	ETL, FCC, ICES, JA8, IC, ASTM E283-04

ELECTRICAL DETAILS

Environment	Wet
Location	Indoor/Outdoor
Operating temp. (° C)	-20 to 40
IP rating	IP44
Input voltage (V)	120
Output voltage (V)	32-48VDC
Output current (mA)	250
Power factor (%)	90
Driver type	Constant current
THD	<30%
Color temperature	2700K/3000K/3500K/ 4000K/5000K

2-hour fire-rated without additional housing or hardware (in accordance with UL 263, ASTM E119, and CAN ULC S101) with UL L556 floor-ceiling assembly

ORDERING GUIDE

5004-FR-CC	-	<input type="text"/>	-	<input type="text"/>
		<i>Voltage</i>		<i>Finish</i>
		BLANK - 120v Triac dimming		WH - White <input type="radio"/>
		V - 120-277-347V 0-10v dimming		

CONSTRUCTION

Lens material	Plastic
Optic type	Frosted lens
Finish type	Half shinny
Housing material	Aluminum

WHAT'S IN THE BOX

LED recessed fixture
 Junction box
 3x Push-in wire connectors
 Mounting hardware
 Instruction sheet

ACCESSORIES

[RFP-46](#)
 Drilling plate

[RFP-UNI](#)
 Universal drilling plate

ADAPTORS

[REC-CC-EXT8FT](#)
 96" extension cord for recessed fixtures

[REC-CC-EXT20FT](#)
 240" extension cord for recessed fixtures

RECOMMENDED DIMMER LIST*

BRAND	MODEL	DIMMER SPECS	GRADE	MIN	MAX	MAX LOAD
Lutron	DVCL-153PR-WH-C*	Triac, 150 W Dimmable CFL/LED	Compatible	10	100	14
Lutron	CTCL-153PDH-WH-C*	Triac, 150 W Dimmable CFL/LED	Compatible	10	100	14
Lutron	STCL-153PH-WH-C*	Triac, 150 W Dimmable CFL/LED	Compatible	3	100	14
Lutron	MA-PRO-WH*	ELV, 250W LED/CFL	Compatible	1	100	23
Lutron	Caseta PD-6WCL-WH-R-C*	Triac, 300W Dimmable CFL/LED	Compatible	0	100	14
Lutron	Caseta PD-5NE-WH-C*	ELV, LED—up to 250 W	Compatible	7	100	23
Lutron	Caseta PD-10NXD-WH*	Triac, LED—up to 250 W	Compatible	1	100	23
Control 4	C4-APD120-WH	ELV, 120W LED	Compatible	2	100	11
Control 4	C4-FPD120-WH	Triac, 200W LED	Compatible	2	100	18
TP-Link	HS220*	Triac, 150 W, Dimmable LED (MLV)	Compatible	6	100	14

*With Low-End Adjustment Feature

Minimal buzzing noise may occur with some dimmers

WARRANTY

DALS offers a 5-year warranty from the date of purchase which covers repairs or replacement of defective parts of the housing, optics, and electronics. To contact DAL'S customer service call 1-877-430-1818 or send an e-mail to info@dals.com.