

dals

LIGHTING

DESIGN

GUIDE

2024

15
YEARS

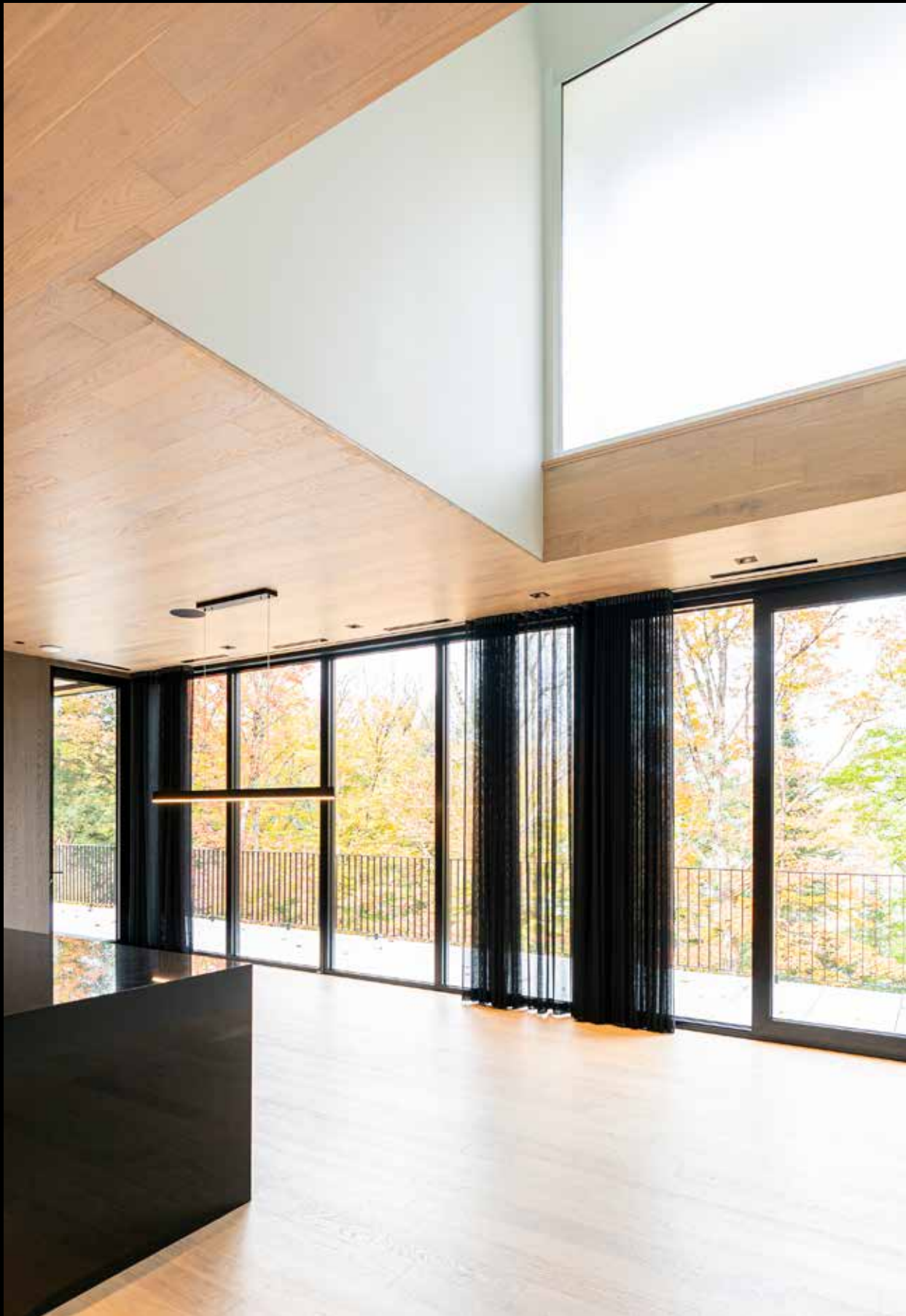




Our mission is to offer the highest level of service and quality through an innovative, functional and complete product line.

DALS Lighting is a manufacturer of designer lighting products focusing on smart, innovative and emerging technologies. Our lighting systems are displayed and stocked at several lighting showrooms and retailers, electrical distributors and e-commerce platforms.

Our products are also sold on projects across North America through an extensive network of agents who work with architects, engineers, contractors and distributors. We strive for excellent service, superior lead times, environmental innovation and product quality.



DALS headquarters





Our milestones

2008

DALS Lighting Inc. was founded and quickly grew to become a leader in accent lighting by launching an innovative LED product line.

2009 - 2014

DALS continues its steady growth by shifting all of its product lines to LED light sources while continuing to focus on best-in-class service.

2015

Following its rapid growth with LED products across North America, DALS launched its LED Design Guide, which focused exclusively on LED technology and included several new innovative items. DALS also opened its LED lighting showroom at the Dallas Market Center in Dallas, Texas.

2016

DALS moved into its new headquarters in Blainville, Quebec, Canada. DALS also expanded its U.S. operations in Coral Springs, Florida.

2017-2019

DALS launched its smart home ecosystem, which includes a range of connected products that are easy to use with the DALS mobile app. The launch of this category has generated a lot of excitement in the industry and we've dedicated a team to accelerate the continued development and optimization in this division.

2020-2022

In 2020, DALS opened its new atrium showroom at the Dallas Market Center and accelerated its product launch cadence. We launched the DALS Connect and DALS Connect PRO smart platforms as well as new product categories such as landscape lighting, which resulted in significant growth.

2023

In 2023, DALS achieved significant expansion by doubling the size of its headquarters and main warehouse, reinforcing its commitment to operational excellence. Simultaneously, the company forged a strategic financial partnership, positioning itself for accelerated growth in the upcoming phases. This expansion and financial collaboration underscore DALS's dedication to enhancing its infrastructure and preparing for a dynamic future.

2024

In 2024, DALS proudly unveils its largest product launch, emphasizing enhanced features and elevated product content. We are expanding into decorative categories and offering additional options for the commercial market, reflecting our dedication to meeting diverse customer needs and continuously improving our offerings.

NEW

New product

This symbol depicts a new product launching this year. Look for specifications for these products in this catalog.

UPGRADE

Product upgrade

When you see this symbol, it indicates that an existing product has undergone extensive enhancements.



Low-glare

The recessed positioning of the LED module in this series of downlights significantly reduces glare.



Change colors

RGB+CCT color-changing light – choose your favorite color to create different atmospheres or use it for general illumination with a range from warm to cool white.



Air tight

Airtight fixtures help prevent air conditioning or heating from leaking out of the home through holes in the ceiling.

JA8

JA8/Title 24

This certification ensures that the lighting control system is designed, installed, and programmed correctly to comply with the JA8/Title 24 Lighting building code of California.



Multi-voltage

This symbol indicates that a product family offers multi-voltage drivers (120/277/347) that can be dimmed using 0-10V dimming systems.



Fire rated

Fire-rated recessed lights feature fire-resistant housings and seals to prevent fire from spreading through ceiling or wall openings, ensuring safety and compliance with building codes.



CCT switch

These types of lights provide you with the ability to change the color temperature. Within one fixture, you have a range of color temperatures that go from warm white to cool white.



Dry location

Dry-rated lights don't protect against condensation and should not come into contact with water. However, these fixtures can withstand brief exposure to moisture with proper ventilation.



IC rated

"IC" stands for Insulation Contact. The IC rating is essentially a measure used to determine whether a recessed downlight is suitable to come into contact with your home's insulation or not.



Smart home

This symbol indicates that the light fixture can be controlled from the DALI Connect app. You can remotely adjust the lighting in your home from anywhere, enjoy greater control over lighting effects such as dimming and color, and establish automated lighting schedules around your lifestyle.



Damp rated

Damp-rated lights are used in places that have some contact with moisture but not in areas with constant or direct exposure to water. For example, you can use damp-location rated fixtures to illuminate the area directly outside your shower.



Wet rated

Wet-rated lighting fixtures are used in places with direct exposure to water but cannot be submerged. Fixtures rated for wet locations use waterproof seals to protect their internal components from moisture.



ADA compliant

The ADA sets regulations that define limits and standards contractors must meet and comply with when installing light fixtures in public buildings. To be considered ADA compliant, the fixture cannot extend more than 4 inches into the hallway, walkway, or corridor to protect people with disabilities from bumping into them and harming themselves.



Bluetooth compatible

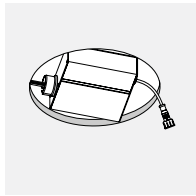
This smart light, while Bluetooth-compatible, can be seamlessly integrated into your DALI Connect ecosystem.



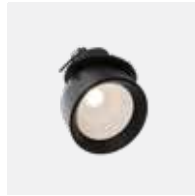
Motion sensor

This symbol indicates that a light fixture incorporates responsive technology, detecting movement in its proximity and triggering the illumination for enhanced efficiency and convenience.





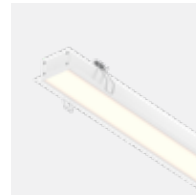
24
INSTALLATION
GUIDE



28
HORUS
GSP3-CC



30
FUSION
GPN4-CC
GPN6-CC



32
BOULEVARD
LNR24/48-CC



34
REVOLVE
GBR35/04/06-CC
GBR35/04/06-DW



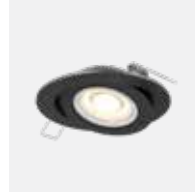
36
REVOLVE SQUARE
GBR35SQ-CC



38
REVOLVE DUO
GBR35-CC-DUO



40
FACET
RGM2/4/6-CC



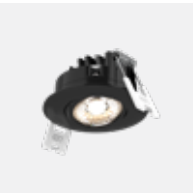
42
PIVOT
FGM2/3/4/6



44
PIVOT SQUARE
FGM4SQ-CC



46
PIVOT DUO
FGM4-CC-DUO



48
SCOPE
LEDDOWNG3
GMB2/4



50
APERTURE
MFD03-CC



52
PINPOINT SERIES
MSL1/2



54
PINPOINT SERIES
MSL4/5/10/5G/10G



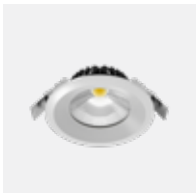
56
RGR
RGR1/2/4/6-CC
RGR2/4-HP



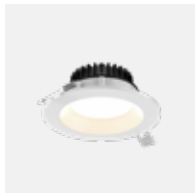
58
RGR SQUARE
RGR2/4/6SQ-CC



60
INDIRECT
IND4/6



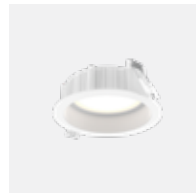
62
HILUX
HPD4/6/8-CC



64
ETCH
DDP4-CC
DDP6-CC



352
ETCH PRO
DCP-DDP4
DCP-DDP6



66
NOTCH
DRR2/4/6-CC/



68
MYSTIQUE
SPN4-CC
SPN6-CC



70
MYSTIQUE SQUARE
SPN4SQ-CC
SPN6SQ-CC



72
EXCEL SQUARE
5003/4/5/6-CC
5004SQ-CC



74
EXCEL
5004-DW
5004/6-FR



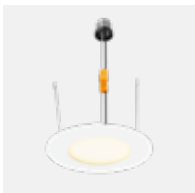
354
EXCEL PRO
DCP-PNL4
DCP-PNL6



76
ACCESS
2003/2004/2006



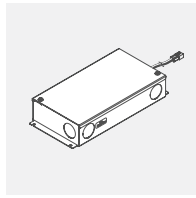
78
ALTER SERIES
RTF4-3K
RTF4-CC



80
ALTER SERIES
LEDPNLRTF56-CC

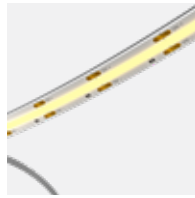


82
ACCESSORIES



90

INSTALLATION
GUIDE



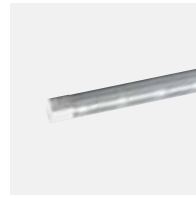
92

COB-TAPE
COBTP1M/ COBTP3M/
COBTP5M/ COBTP-REEL



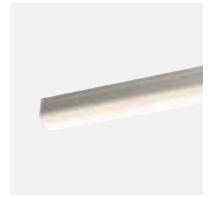
94

LINU
LINU12
LINU04



96

SWIVLED12-CC



98

POWERLED LINEAR
6009CC/ 6012CC/
6024CC/ 6036CC/
6048CC



100

PROLED LINEAR
HLF09/ HLF12/ HLF18/
HLF24/ HLF30



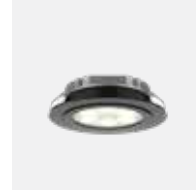
102

COUNTERLED LINEAR
9009CC/ 9012CC/
9018CC /9024CC/
9030CC



104

SUPER-PUCK RECESSED
4001-CC



106

DUO-PUCK
4005-CC
K4005-CC



108

ULTRA-SLIM PUCK
4006



110

POWERLED PUCK
6001-CC



112

MINI-PUCK
LEDRDM1



114

ECO-PUCK
LEDRDP18



386

SMART TAPE
SM-TAP3M
SM-TAP5M



116

LED DIMMABLE
DRIVERS



118

SLIDE
DD1260



122

ACCESSORIES





134
BOULEVARD PENDANT
LNPD48-CC



136
PINPOINT LINEAR
MSLPD48-CC



138
BEAM
SPD48-3K
SPD72-3K



142
CURRENT
SLPD60-CC



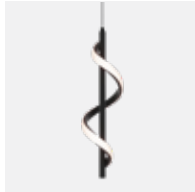
144
SWAY ONE
W1PD48-CC



146
SWAY THREE
W3PD36-CC



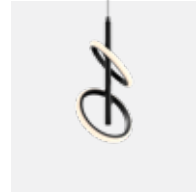
148
SPIN
BRPD40-CC



150
SPIN
BRPD18-CC



152
OLYMPIA FIVE
RRPD5-CC



154
OLYMPIA TWO
RRPD2-CC



156
HELIX
SPR20-CC
SPR34-CC



158
TWIST
TWPS-3K



160
TWIRL
TWPD-CC



162
ATOM PENDANT
FPD60-CC



164
ATOM ONE
FPD-CC



166
ATOM THREE
FPDC3-CC



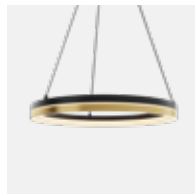
168
CIRCA
RGPD24-CC



170
DROP
CFPD20-CC



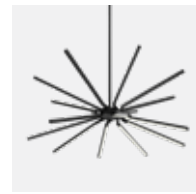
172
PYRA
TRPD34-CC



176
ECLIPSE
PDR14-CC



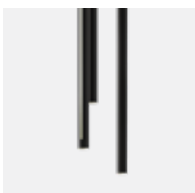
178
ASTERISK
SSPD32-CC



180
STELLAR PENDANT
STRPD-3K



182
STELLAR FLOOR
STRFL-3K



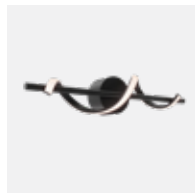
186
CHANNEL PENDANT
PDLED120-
24/36 /48/60



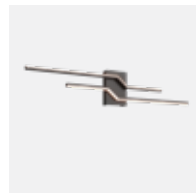
188
CHANNEL CLUSTER
PDLED120-
5/5SQ/8/8SQ



190
NOVA
PDC18-CC



194
SPIN SCONCE
BRV24-CC
BRV36-CC



196
LIGHTNING
VDL40-CC



198
BOREALIS
VRB24-CC



200

ARIA
VSW24-CC
VSW36-CC



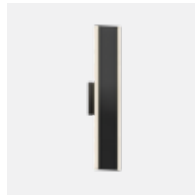
202

BALANCE
VCC24-CC
VCC36-CC



204

PORTRAIT
VLG24-CC
VLG36-CC



206

GEMINI
SWS24-CC
SWS36-CC
SWS60-CC



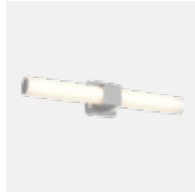
208

ARIES
STK21-CC
STK37-CC



210

NOBLE ONE
LEDVAN001-CC-18
LEDVAN001-CC-24



214

NOBLE TWO
LEDVAN002-CC-24
LEDVAN002-CC-36



216

LYRA
LEDVAN003-CC-24
LEDVAN003-CC-32



218

HOVER
CCFM-CC



220

ATOM
FDB-CC



222

NEWTON
FMT18-CC



224

SWAY FLUSH MOUNT
W3FM-CC



226

ASTERISK FLUSH MOUNT
SSF20-CC



228

STELLAR FLUSH MOUNT
STRFM-3K



230

PYRA FLUSH MOUNT
TRFM22-CC



232

MISTY
FUZ11-CC



234

AURORA
CFH12-CC



236

ORA
CFG13-CC



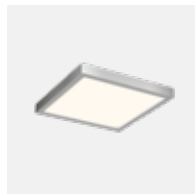
238

FUSION
TLFM12-CC
TLFM21-CC



240

DELTA
CFLEDR06-CC
CFLEDR10-CC
CFLEDR14-CC/
CFLEDR18-CC



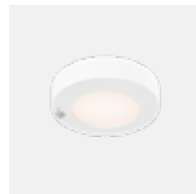
242

DELTA SQUARE
CFLEDSQ06-CC
CFLEDSQ10-CC
CFLEDSQ14-CC



244

RADIANCE
FMM09-CC
FMM12-CC



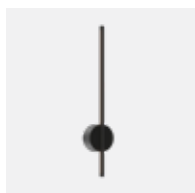
246

PRIME
FMP05-CC
FMP05M-CC
FMP09-CC
FMP12-CC



380

DELTA SMART
SM-FM08
SM-FM14



250

MIDNIGHT
RWS24-CC
RWS48-CC
RWS60-CC



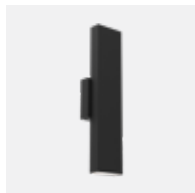
252

GEMINI
SWS48-CC



256

PROFILE
LWJ08-CC
LWJ16-CC
LWJ24-CC



258

PINPOINT WALL
MSLWALL-CC



260

ADEN
LEDWALL-A



262

BROOKLYN
LEDWALL-B



264
EDINBURGH
LEDWALL-E



266
GENEVA
LEDWALL-G-CC



268
HARLOW
LEDWALL-H



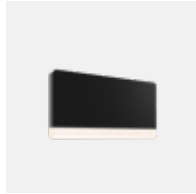
270
ALTO
SQS06/10/15



272
CUBIX
LEDWALL001D



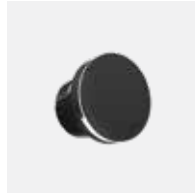
274
RONDO
LEDWALL002D



276
ALTO STEP LIGHT
SQSTP-CC



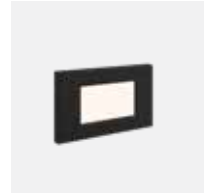
278
ECHO
LEDSTEP002D-CC



280
PEARL
LEDSTEP004D-CC

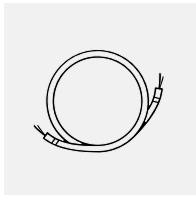


282
CAMBER
LEDSTEP005D-CC



284
ASCEND
LSTP07-CC

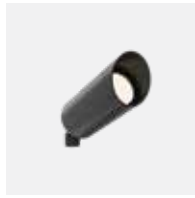




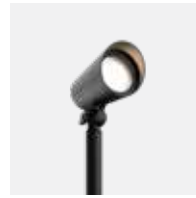
289
CONNECTION
GUIDE



296
GLAM
RTL-3C



298
SLIM SPOT
LSS10-CC



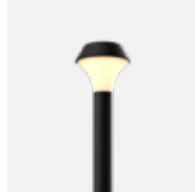
300
SPOT
LSP3-CCL
LSP4-CCL



302
EDGE
LSQP-CC



304
FLUX
LPP20-CC



306
BEACON
LPL26-CC



308
COLUMN
LRB20-CC
LRB30-CC



310
CONTOUR
LHS07-CC



312
STATURE
LEDPATH003D
LEDPATH004D

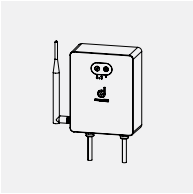


314
TRANSFORMERS
LTRP-60
LTR-300



GLAM / P. 296





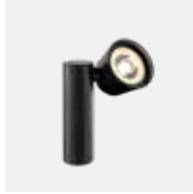
292

SMART CONNECTION
GUIDE



318

CORE
DCP-TR60, DCP-TR200,
DCP-TR300



320

ORBIT
DCP-SPT6



322

GRAVITY
DCP-GRD4



324

HORIZON
DCP-FLD30



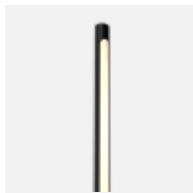
326

GAÏA
DCP-CPL24



328

ACUTE
DCP-45HP20



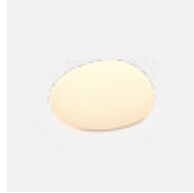
330

AXIS
DCP-STK20
DCP-STK50



332

MASON
DCP-BRK12



334

KAYU
DCP-RK10
DCP-RK18



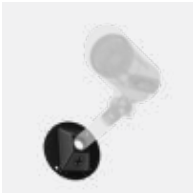
336

FLEX
DCP-NFTAP5M



338

ORION
DCP-STG48



340

ACCESSORIES



ACUTE / P. 328

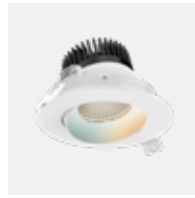




345
CONNECTION
GUIDE



348
PRO HUB
DCP-HUB



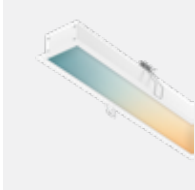
350
REVOLVE PRO
DCP-GBR35



352
ETCH PRO
DCP-DDP4
DCP-DDP6



354
EXCEL PRO
DCP-PNL4
DCP-PNL6



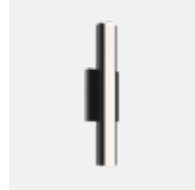
358
BOULEVARD PRO
DCP-LNR24
DCP-LNR48



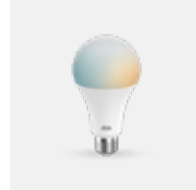
360
BOULEVARD
PENDANT PRO
DCP-LNPD48



362
FRAME
DCP-CGWS



364
ARCHITECT WALL
DCP-LWS19



366
A21 PRO
DCP-BLBA21



368
BR30 PRO
DCP-BLBBR30



370
ARCHITECT PENDANT
SM-LPD39



372
AXIS TABLE LAMP
SM-STTL20



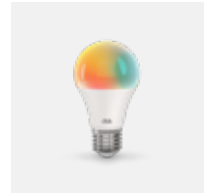
376
AXIS FLOOR LAMP
SM-STFL50



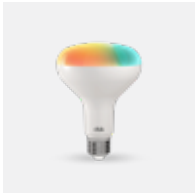
378
EXCEL SMART
SM-PNL4
SM-PNL6



380
DELTA SMART
SM-FM08/14



382
A19 SMART
SM-BLBA19



384
BR30 SMART
SM-BLBBR30



386
SMART TAPE
SM-TAP3M
SM-TAP5M



388
CLICC
DCP-RMCT



390
SMART WALL
CONTROLLER
SM-WLCT



392
SMART PLUG
SM-PLUG

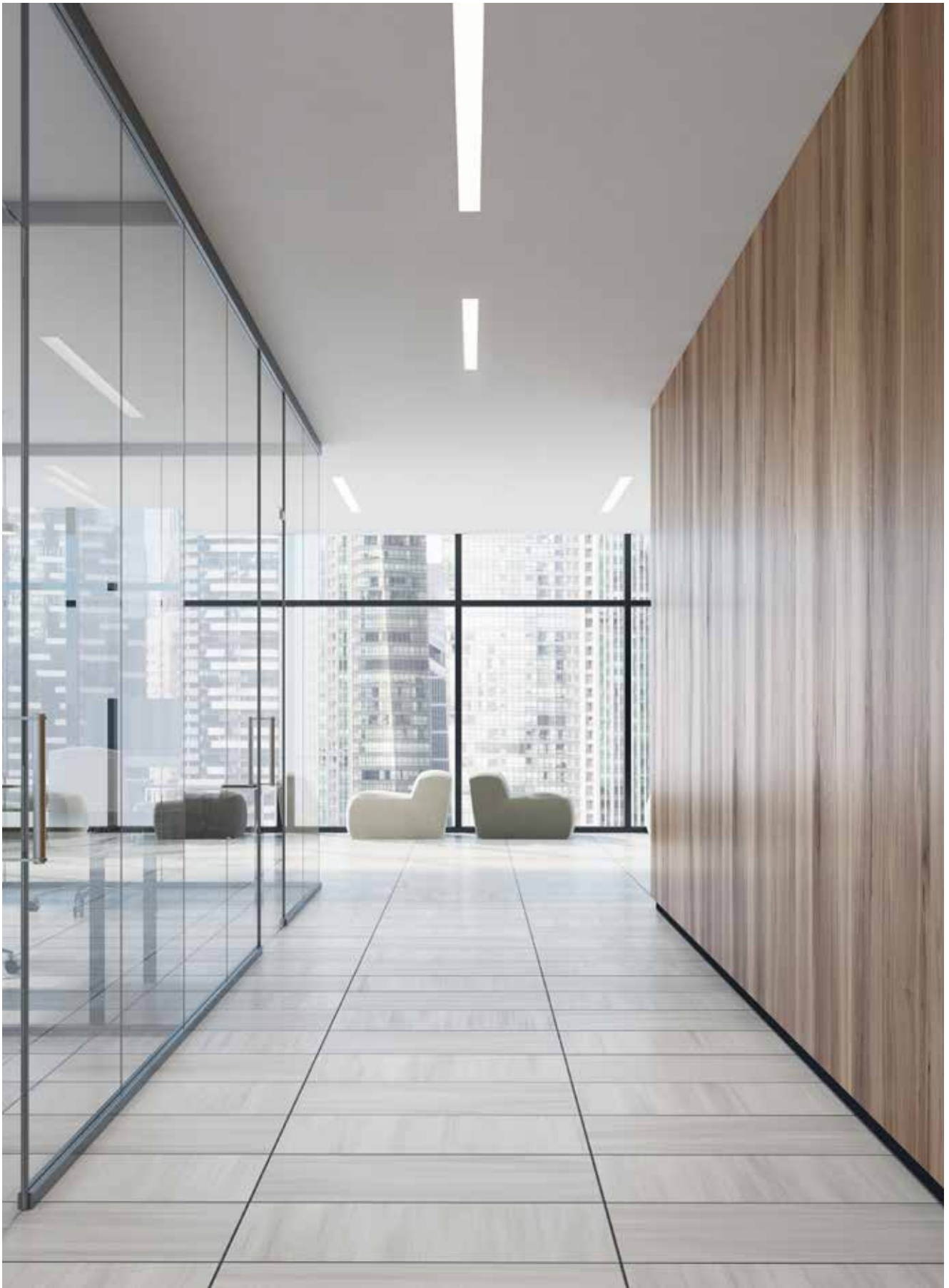


394
SMART DIMMER
SWITCH
SM-DIMSW



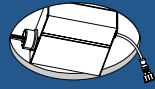
396

ACCESSORIES



RECESSED





24
INSTALLATION
GUIDE



28
HORUS
GSP3-CC



30
FUSION
GPN4-CC
GPN6-CC



32
BOULEVARD
LNR24/48-CC



34
REVOLVE
GBR35/04/06-CC
GBR35/04/06-DW



36
REVOLVE SQUARE
GBR35SQ-CC



38
REVOLVE DUO
GBR35-CC-DUO



40
FACET
RGM2/4/6-CC



42
PIVOT
FGM2/3/4/6



44
PIVOT SQUARE
FGM4SQ-CC



46
PIVOT DUO
FGM4-CC-DUO



48
SCOPE
LEDDOWNG3
GMB2/4



50
APERTURE
MFD03-CC



52
PINPOINT SERIES
MSL1/2



54
PINPOINT SERIES
MSL4/5/10/5G/10G



56
RGR
RGR1/2/4/6-CC
RGR2/4-HP



58
RGR SQUARE
RGR2/4/6SQ-CC



60
INDIRECT
IND4/6



62
HILUX
HPD4/6/8-CC



64
ETCH
DDP4-CC
DDP6-CC



352
ETCH PRO
DCP-DDP4
DCP-DDP6



66
NOTCH
DRR2/4/6-CC/



68
MYSTIQUE
SPN4-CC
SPN6-CC



70
MYSTIQUE SQUARE
SPN4SQ-CC
SPN6SQ-CC



72
EXCEL SQUARE
5003/4/5/6-CC
5004SQ-CC



74
EXCEL
5004-DW
5004/6-FR



354
EXCEL PRO
DCP-PNL4
DCP-PNL6



76
ACCESS
2003/2004/2006



78
ALTER SERIES
RTF4-3K
RTF4-CC



80
ALTER SERIES
LEDPNLRTF56-CC

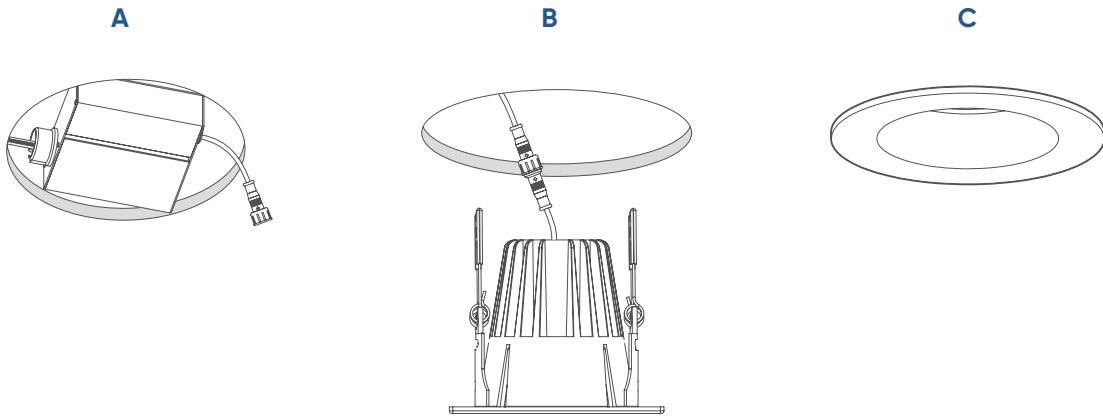


82
ACCESSORIES



Proper Sizing, Spacing and Downlighting Techniques

The components Our recessed kits include two main components: the driver and the fixture.



The driver (A)

is what is recessed into the ceiling and consists of the electrical parts that bring power to the light.

The fixture (B & C)

is what's visible to people in the room and gives the light its aesthetic.

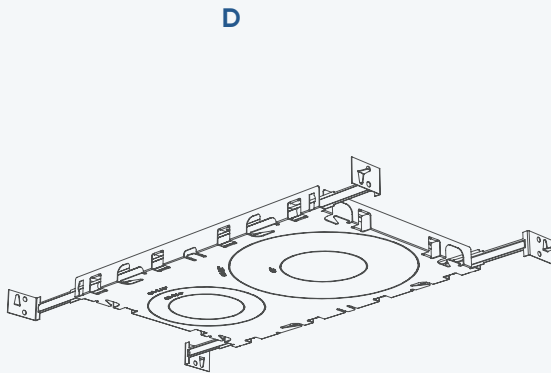


Fixtures and drivers are sized to correlate with one another and are sold together with all of our recessed lights.

Panels. Spotlights. Downlights. Whatever you call recessed lights, they're some of the most versatile lighting options out there. The most common use of recessed lighting, and what we'll focus on here, is recessed downlighting from the ceiling.

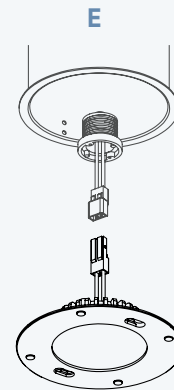
Installation type

What fixture you choose starts with knowing whether it will be used in a new construction, a remodel or as a retrofit.



New construction

Locations with visible ceiling joists and without drywall. Lights can be used with our rough-in plates (**D**) to help in the installation process.



Remodels

When the joists are not exposed or if you want to upgrade your current system to LED.

Retrofit

When an existing bulb is removed from the original housing, and replaced with an LED trim (**E**).

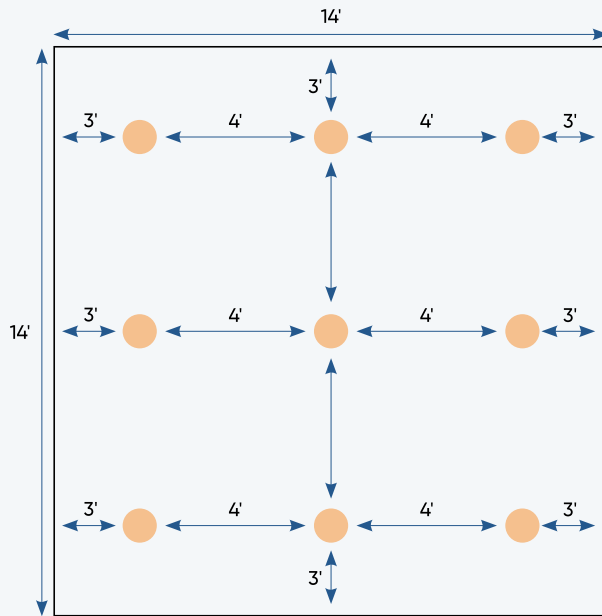
**GOOD
TO KNOW!**

Most of Dals' recessed fixtures are designed for new construction and remodels. These fixtures are installed through a small opening in the ceiling and held in place with clips.

**GOOD
TO KNOW!**

A rough-in plate is designed for new construction or renovations where the ceiling framing is exposed. It allows for proper placement of your recessed light and is made from sturdy galvanized steel.

How many downlights do I need?



A simple method for estimating the number of downlights required is as follows:

Recessed downlights are generally positioned 2 to 3 feet away from walls with a space of 3 to 4 feet between each light. Dividing the ceiling height by two is a way of gauging how much space to leave between each downlight.

Thus, if your ceiling is 8 foot high, place your lights 4 feet apart.



In Canada, 4" recessed lights are the most popular, in the U.S., 6" are most commonly used.



Horus

A versatile lighting solution with a flexible design for precise illumination, its gimbal mechanism allows users to easily adjust the light angle, making it ideal for residential or commercial settings. The compact 3-inch size is suitable for tight spaces, and the spotlight's focused beam makes it perfect for accent lighting or task-oriented applications.

NEW  DAMP  360° SWIVEL/DIRECTIONAL  ETL Intertek  IC RATED  AIR TIGHT

 2700k 3000k 3500k 4000k 5000k
COLOR TEMPERATURE



Model	Size	Watts	Delivered lumens	CRI	Color °T	Voltage
GSP3-CC	3"	12 W	950 lm	90	2700, 3000, 3500, 4000, 5000 K	120 V

Specifications

Every fixture includes a junction box with an integrated driver
 Over 50,000 hours service life
 Switch-selectable CCT: 2700 K/3000 K/3500 K/4000 K/5000 K
 60° beam angle
 30° tilting, 360° rotation
 Cast aluminum construction
 Suitable for damp locations
 Refer to website for dimmer compatibility
 IC certification (suitable for direct contact with insulation)
 Air-tight certified as per ASTM E283-04
 5-year warranty

Finish

- **BK** Black
- **GD** Gold

Note

Other color temperatures, finishes, and voltage options are available but may require minimum order quantities (MOQs) and longer lead times. Please contact your DALI representative for more information.

Accessories

RFP-23

Rough-in plate


GSP-CC-EXT8FT

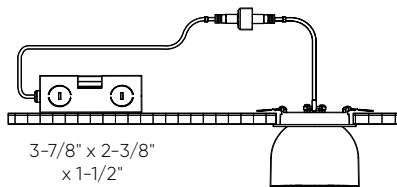
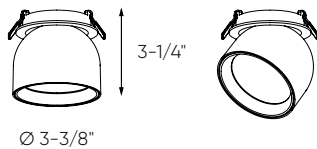
8-foot extension cable

GSP-CC-EXT20FT

20-foot extension cable

GSP3-CC

Ø2-3/4" 



Fusion

The Fusion is a slim gimbal recessed panel with 5CCT, offering advanced lighting flexibility for precise illumination. Its gimbal design allows users to direct light as needed, and the 5CCT feature provides color temperature versatility, making the Fusion an ideal choice for both residential and commercial applications.

NEW WET ENERGY STAR Intertek IC RATED JA8 CERTIFIED

25° SWIVEL/DIRECTIONAL AIR TIGHT

2700k 3000k 3500k 4000k 5000k COLOR TEMPERATURE



Model	Size	Watts	Delivered lumens	CRI	Color °T	Voltage
GPN4-CC	4"	10 W	850 lm	90	2700, 3000, 3500, 4000, 5000 K	120 V
GPN6-CC	6"	13 W	1050 lm			

Specifications

Every fixture includes a junction box with an integrated driver
 Over 50,000 hours service life
 Switch-selectable CCT: 2700 K/3000 K/3500 K/4000 K/5000 K
 110° beam angle
 25° tilting, 360° rotation
 Cast aluminum construction
 Suitable for wet locations
 Refer to website for dimmer compatibility
 IC certification (suitable for direct contact with insulation)
 Air-tight certified as per ASTM E283-04
 5-year warranty

Finish

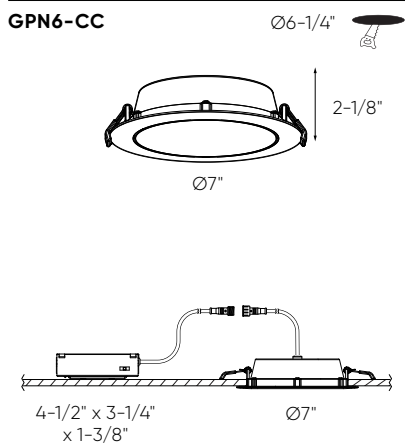
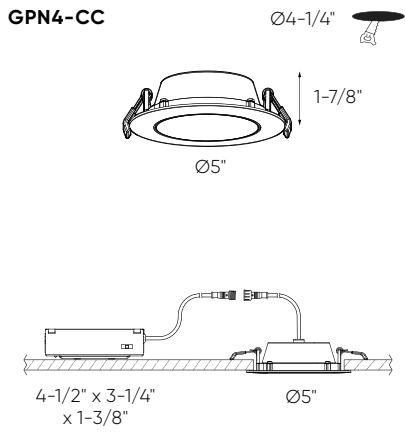
- **BK** Black
- **WH** White

Note

Other color temperatures, finishes, and voltage options are available but may require minimum order quantities (MOQs) and longer lead times. Please contact your DALI representative for more information.

Accessories

- RFP-UNI**
Universal rough-in plate
- RFP-46**
Rough-in plate for 4" and 6" models
- GPN-CC-EXT8FT**
8-foot extension cable
- GPN-CC-EXT20FT**
20-foot extension cable



Boulevard

The Boulevard series, an architectural recessed lighting channel that can be installed in a wide range of commercial and residential environments. Add depth to ceiling planes with a visible separation, or seamlessly daisy-chained to create dramatic effects.

UPGRADE



DRY



AIR TIGHT



ENERGY STAR



ETL Intertek



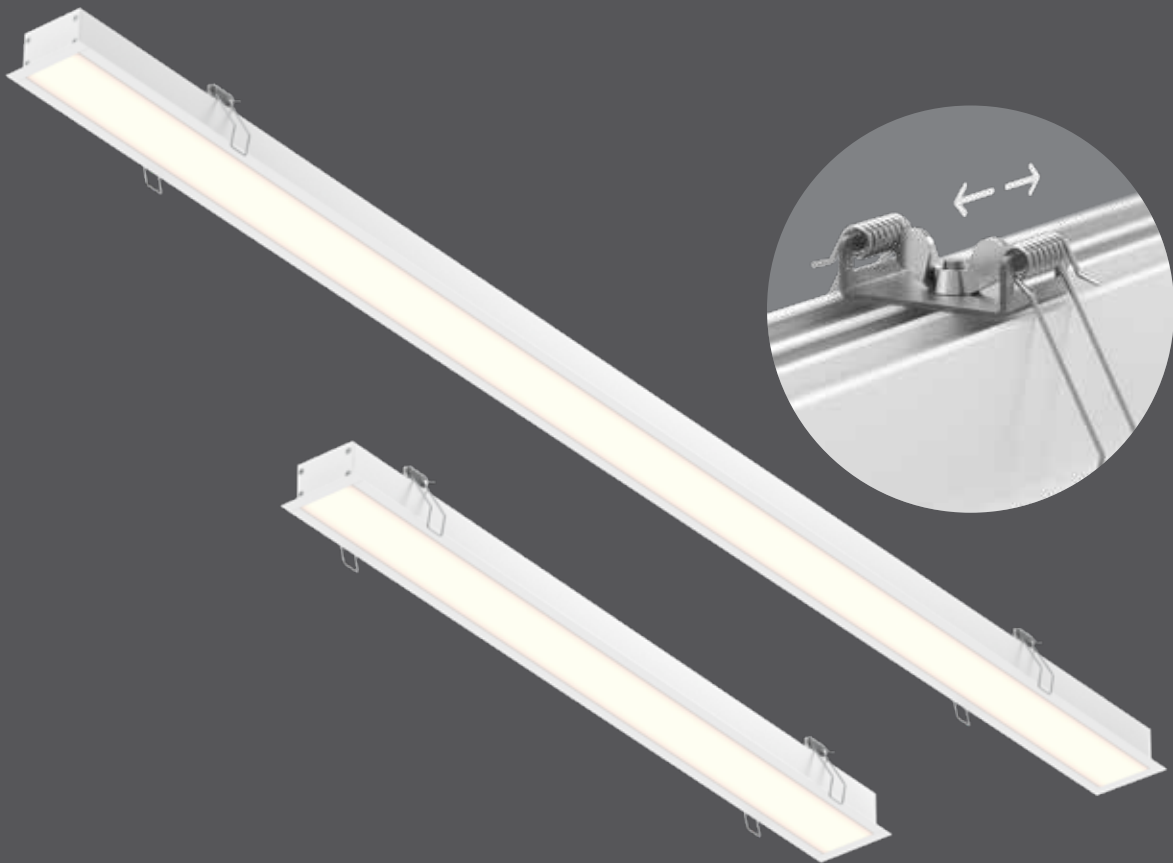
IC RATED



JA8 CERTIFIED



COLOR TEMPERATURE



Model	Size	Watts	Delivered lumens	CRI	Color °T	Standard voltage	Multi-voltage ⚡
LNR24-CC	24"	20 W	1725 lm	90	2700, 3000, 3500, 4000, 5000 K	120V, Triac dimming	MV: 120 / 277 / 347V, 0-10V dimming
LNR48-CC	48"	40 W	3760 lm				

Specifications

Every fixture includes a junction box with integrated dimmable driver
 Can be daisy chained
 Superior LED performance and lifespan
 Minimal heat emission
 Aluminum construction
 Switch-selectable CCT: 2700K/3000 K/3500 K/4000 K/5000 K
 108° beam spread
 IC certification (suitable for direct contact with insulation)
 Air-tight certified as per ASTM E283-04
 Suitable for dry locations
 Refer to website for dimmer compatibility
 Ideal operating temperature: -20° to 40° C
 5-year warranty

Finish

- **BK** Black
- **WH** White

Accessories

- LNACC-L16FT**
16-foot lens for Boulevard series pendants and recessed linears
- RFP-LNR24**
Rough-in plate
- RFP-LNR48**
Rough-in plate
- REC-CC-EXT8FT**
8-foot extension cable
- REC-CC-EXT20FT**
20-foot extension cable


Multi-voltage ⚡

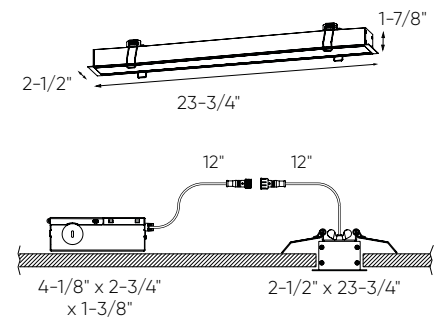
This product family offers multi-voltage drivers (120/277/347) that are dimmable using 0-10V dimming systems. Please note that longer lead times may apply for this option. Kindly reach out to your DALI representative for additional information and to confirm availability.

Note

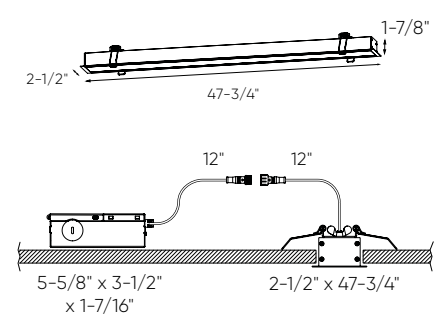
Other color temperatures, finishes, and voltage options are available but may require minimum order quantities (MOQs) and longer lead times. Please contact your DALI representative for more information.



LNR24-CC 23-3/8" x 2-1/8" 



LNR48-CC 47-7/16" x 2-1/8" 



Revolve

Our Recessed family has grown with a new range of adjustable downlights. The effortless design and high functionality of these fixtures are sure to make a welcome addition in any room.

- UPGRADE**
- WET**
- LOW-GLARE**
- ENERGY STAR**
- ETL US Intertek**
- IC RATED**
- JA8 CERTIFIED**
- WARM DIMMING***
- 30° SWIVEL/DIRECTIONAL**
- AIR TIGHT**
- COLOR TEMPERATURE**
2700k 3000k 3500k 4000k 5000k



*Models GBR35-DW , GBR04-DW, GBR06-DW only

Model	Size	Watts	Delivered lumens	CRI	Color °T	Standard voltage	Multi-voltage ⚡
GBR35-CC	3.5"	12 W	860 lm	90	2700, 3000, 3500, 4000, 5000 K	120V, Triac dimming	MV: 120 / 277 / 347V, 0-10V dimming
GBR04-CC	4"	15 W	1240 lm				
GBR06-CC	6"	20 W	1500 lm				
GBR35-DW	3.5"	12 W	860 lm	90	3000 K - 2200 K		
GBR04-DW	4"	15 W	1240 lm				
GBR06-DW	6"	20 W	1500 lm				

Specifications

Every fixture includes a junction box with an integrated driver
 Over 50,000 hours service life
 Switch-selectable CCT: 2700 K/ 3000 K/3500 K/4000 K/5000 K (GBRXX-CC models only)
 Dim-to-warm technology, dims from 3000 K to 2200 K to mimic incandescent light (GBRXX-DW models only)
 40° beam angle
 30° tilting, 360° rotation
 Cast aluminum construction
 Suitable for wet locations
 Refer to website for dimmer compatibility
 IC certification (suitable for direct contact with insulation)
 Air-tight certified as per ASTM E283-04
 5-year warranty

Finish

- **BK** Black (GBRXX-CC models only)
- **WH** White

Accessories

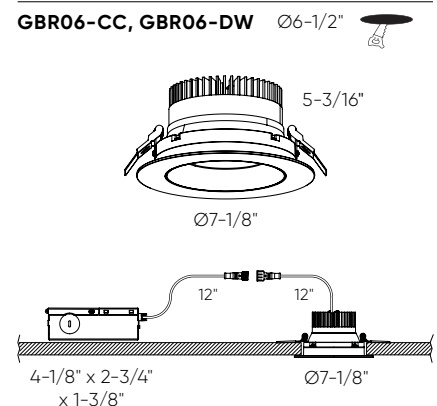
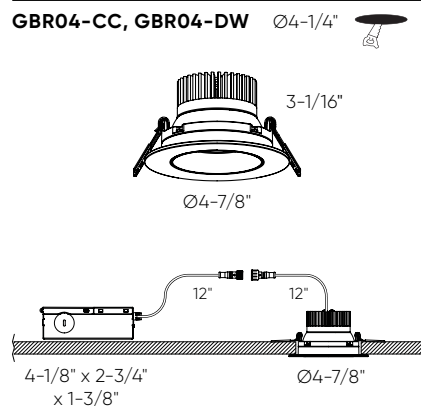
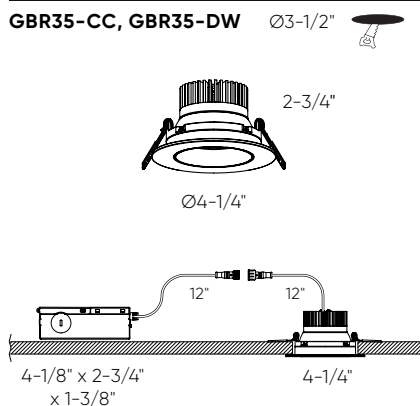
- RFP-35 (GBR35)**
Rough-in plate
- RFP-UNI (GBR04, GBR06)**
Universal rough-in plate
- RFP-46 (GBR04, GBR06)**
Rough-in plate
- REC-CC-EXT8FT (GBRXX-CC)**
8-foot extension cable
- REC-CC-EXT20FT (GBRXX-CC)**
20-foot extension cable
- REC-3K-EXT8FT (GBRXX-DW)**
8-foot extension cable
- REC-3K-EXT20FT (GBRXX-DW)**
20-foot extension cable

Multi-voltage ⚡

This product family offers multi-voltage drivers (120/277/347) that are dimmable using 0-10V dimming systems. Please note that longer lead times may apply for this option. Kindly reach out to your DALI representative for additional information and to confirm availability.

Note

Other color temperatures, finishes, and voltage options are available but may require minimum order quantities (MOQs) and longer lead times. Please contact your DALI representative for more information.



Revolve square

Our Recessed family has grown with a new range of adjustable downlights. The effortless design and high functionality of these fixtures are sure to make a welcome addition in any room.

NEW WET LOW-GLARE ENERGY STAR Intertek IC RATED JA8 CERTIFIED

30° SWIVEL/DIRECTIONAL AIR TIGHT

2700k 3000k 3500k 4000k 5000k COLOR TEMPERATURE



*Models GBR35-DW , GBR04-DW, GBR06-DW only

Model	Size	Watts	Delivered lumens	CRI	Color °T	Standard voltage	Multi-voltage ⚡
GBR35SQ-CC	3.5"	12 W	860 lm	90	2700, 3000, 3500, 4000, 5000 K	120V, Triac dimming	MV: 120 / 277 / 347V, 0-10V dimming

Specifications

Every fixture includes a junction box with an integrated driver
 Over 50,000 hours service life
 Switch-selectable CCT: 2700 K/3000 K/3500 K/4000 K/5000 K
 40° beam angle
 30° tilting, 360° rotation
 Cast aluminum construction
 Suitable for wet locations
 Refer to website for dimmer compatibility
 IC certification (suitable for direct contact with insulation)
 Air-tight certified as per ASTM E283-04
 5-year warranty

Finish

○ **WH** White

Accessories

RFP-35

Rough-in plate

REC-CC-EXT8FT

8-foot extension cable

REC-CC-EXT20FT

20-foot extension cable


Multi-voltage ⚡

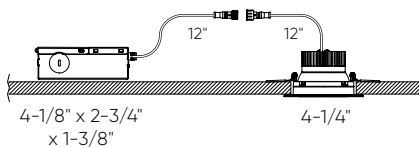
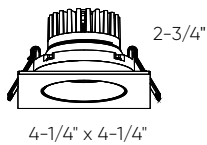
This product family offers multi-voltage drivers (120/277/347) that are dimmable using 0-10V dimming systems. Please note that longer lead times may apply for this option. Kindly reach out to your DALI representative for additional information and to confirm availability.

Note

Other color temperatures, finishes, and voltage options are available but may require minimum order quantities (MOQs) and longer lead times. Please contact your DALI representative for more information.

GBR35SQ-CC

Ø3-1/2" 

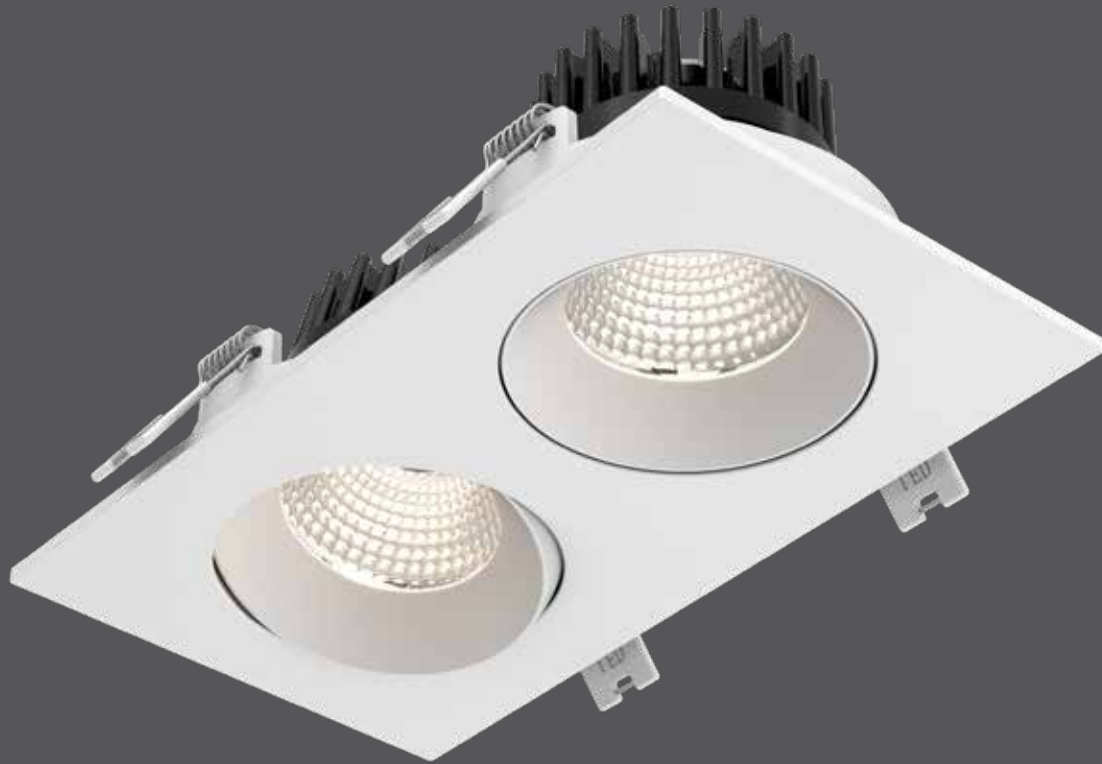


Revolve duo

Our Recessed family has grown with a new range of adjustable downlights. The effortless design and high functionality of these fixtures are sure to make a welcome addition in any room.

UPGRADE WET SWIVEL/DIRECTIONAL 30° ETL IC INTERTEK RATED

AIR TIGHT 2700k 3000k 3500k 4000k 5000k COLOR TEMPERATURE ENERGY STAR JA8 CERTIFIED



Model	Size	Watts	Delivered lumens	CRI	Color °T	Standard voltage	Multi-voltage ⚡
GBR35-CC-DUO	2x 3.5"	24 W	1740 lm	90	2700, 3000, 3500, 4000, 5000 K	120V, Triac dimming	MV: 120 / 277 / 347V, 0-10V dimming

Specifications

Includes a junction box with integrated dimmable driver

Can be daisy chained

Superior LED performance and lifespan

30° tilting, 360° rotation

Minimal heat emission

Aluminum construction

Switch-selectable CCT: 2700K/3000 K/3500 K/4000 K/5000 K

Low profile

40° beam spread

IC certification (suitable for direct contact with insulation)

Air-tight certified as per ASTM E283-04

Suitable for wet locations

Refer to website for dimmer compatibility

Ideal operating temperature:

-20° to 40° C

5-year warranty

Finish

● **BK** Black

○ **WH** White

Accessories

RFP-DUO

Rough-in plate

REC-CC-EXT8FT

8-foot extension cable

REC-CC-EXT20FT

20-foot extension cable

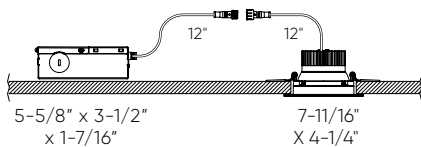
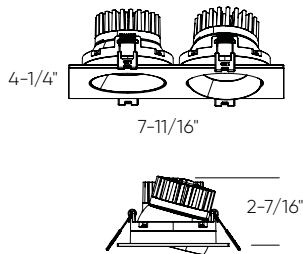
Multi-voltage ⚡

This product family offers multi-voltage drivers (120/277/347) that are dimmable using 0-10V dimming systems. Please note that longer lead times may apply for this option. Kindly reach out to your DALI representative for additional information and to confirm availability.

Note

Other color temperatures, finishes, and voltage options are available but may require minimum order quantities (MOQs) and longer lead times. Please contact your DALI representative for more information.

GBR35-CC-DUO 7-1/8" x 3-1/2" 



Facet

This versatile modern thin-trim 2, 4 and 6-inch gimbal with multi-directional adjustable swivel produces a bright glow with minimal glare as a result of its regressed light source. Ideal for general lighting or for areas requiring a directional light to showcase unique elements or to create dramatic wall-wash effects.



WET



LOW-GLARE



SWIVEL/DIRECTIONAL



Intertek



IC RATED



AIR TIGHT



COLOR TEMPERATURE



JA8

CERTIFIED



Model	Size	Watts	Delivered lumens	CRI	Color °T	Standard voltage	Multi-voltage ⚡
RGM2-CC	2"	8 W	660 lm	90	2700, 3000, 3500, 4000, 5000 K	120V, Triac dimming	MV: 120 / 277 / 347V, 0-10V dimming
RGM4-CC	4"	12 W	1200 lm				
RGM6-CC	6"	20 W	1500 lm				

Specifications

Every fixture includes a junction box with integrated dimmable driver
 Can be daisy chained (4" and 6" models only)
 Superior LED performance and lifespan
 Regressed light source
 Minimal heat emission
 Aluminum construction
 Switch-selectable CCT: 2700K/3000 K/3500 K/4000 K/5000 K
 IC certification (suitable for direct contact with insulation)
 Air-tight certified as per ASTM E283-04
 40° beam angle
 30° tilting, 360° rotation
 Suitable for wet locations
 Refer to website for dimmer compatibility
 Ideal operating temperature: -20° to 40° C
 5-year warranty

Finish

- **BK** Black
- **WH** White

Accessories


- RFP-UNI**
Universal rough-in plate
- RFP-23**
Rough-in plate for 2" model
- RFP-46**
Rough-in plate for 4" and 6" models
- REC-CC-EXT8FT**
8-foot extension cable
- REC-CC-EXT20FT**
20-foot extension cable

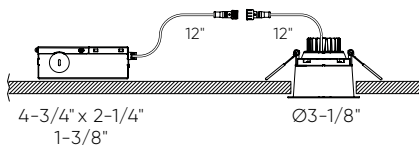
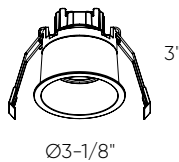
Multi-voltage ⚡

This product family offers multi-voltage drivers (120/277/347) that are dimmable using 0-10V dimming systems. Please note that longer lead times may apply for this option. Kindly reach out to your DALI representative for additional information and to confirm availability.

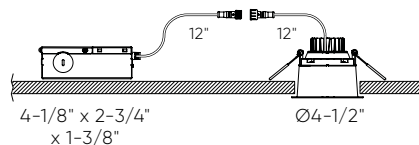
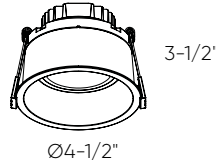
Note

Other color temperatures, finishes, and voltage options are available but may require minimum order quantities (MOQs) and longer lead times. Please contact your DALI representative for more information.

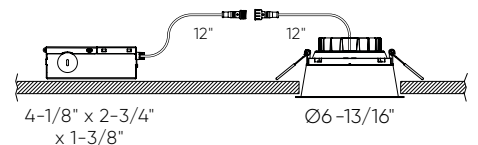
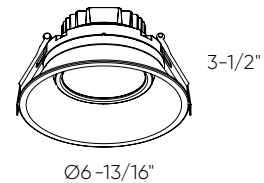
RGM2-CC Ø2-3/4" 



RGM4-CC Ø4-1/4" 



RGM6-CC Ø6-1/2" 



Pivot

When searching for lighting flexibility, look no further than our 3", 4" & 6" flat gimbal LED downlights. With powerful lumen output and the ability to direct light with a 360° rotation and a 90° tilt angle, this product will meet your every need.

NEW

WET SWIVEL/DIRECTIONAL 90°

ETL Intertek IC RATED

AIR TIGHT

2700k 3000k 3500k 4000k 5000k

COLOR TEMPERATURE*

ENERGY STAR

JA8 CERTIFIED



*Models FGM3-CC , FGM4-CC, and FGM6-CC only

Model	Size	Watts	Delivered lumens	CRI	Color °T	Standard voltage	Multi-voltage ⚡
FGM4-3K	4"	9 W	700 lm	90	3000 K	120V, Triac dimming	MV: 120 / 277 / 347V, 0-10V dimming
FGM2-CC	2"	6 W	500 lm	90	2700, 3000, 3500, 4000, 5000 K	120V, Triac dimming	MV: 120 / 277 / 347V, 0-10V dimming
FGM3-CC	3"	6 W	570 lm				
FGM4-CC	4"	9 W	800 lm				
FGM6-CC	6"	14 W	1050 lm				

Specifications

Every fixture includes a junction box with integrated dimmable driver
 Can be daisy chained
 Superior LED performance and lifespan
 90° tilting, 360° rotation
 Minimal heat emission
 Aluminum construction
 Switch-selectable CCT: 2700K/3000 K/3500 K/4000 K/5000 K*
 Low profile
 40° beam spread
 IC certification (suitable for direct contact with insulation)
 Air-tight certified as per ASTM E283-04
 Suitable for wet locations
 Refer to website for dimmer compatibility
 Ideal operating temperature: -20° to 40° C
 5-year warranty

Finish

- **BK** Black
- **SN** Satin Nickel (FGM4, FGM6 only)
- **WH** White

Accessories

- RFP-UNI**
Universal rough-in plate
- RFP-23**
Rough-in plate for 3" model
- RFP-46**
Rough-in plate for 4" and 6" models
- REC-3K-EXT8FT (FGM4-3K)**
8-foot extension cable
- REC-3K-EXT20FT (FGM4-3K)**
20-foot extension cable
- REC-CC-EXT8FT (FGMX-CC)**
8-foot extension cable
- REC-CC-EXT20FT (FGMX-CC)**
20-foot extension cable

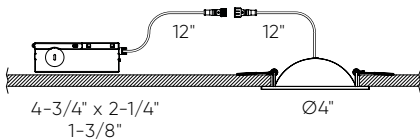
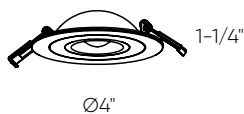
Multi-voltage ⚡

This product family offers multi-voltage drivers (120/277/347) that are dimmable using 0-10V dimming systems. Please note that longer lead times may apply for this option. Kindly reach out to your DALI representative for additional information and to confirm availability.

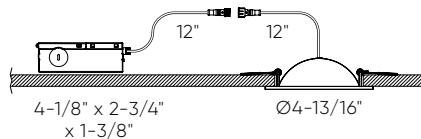
Note

Other color temperatures, finishes, and voltage options are available but may require minimum order quantities (MOQs) and longer lead times. Please contact your DALI representative for more information.

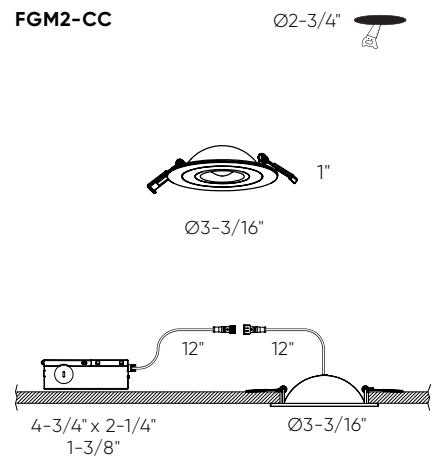
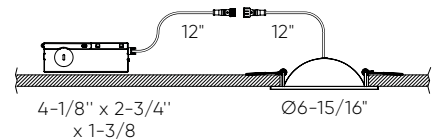
FGM3-CC Ø3-3/8"



FGM4-CC Ø4-1/4"



FGM6-CC Ø6-1/4"



Pivot square

When searching for lighting flexibility, look no further than our 4-inch square flat gimbal LED downlight. With a powerful lumen output and the ability to direct light through a 360° rotation and a 90° tilt angle, this product will meet all your lighting needs.

NEW

WET SWIVEL/DIRECTIONAL 90°

ETL^{US} IC RATED Intertek

AIR TIGHT 2700k 3000k 3500k 4000k 5000k COLOR TEMPERATURE*

ENERGY STAR JA8 CERTIFIED



Model	Size	Watts	Delivered lumens	CRI	Color °T	Standard voltage	Multi-voltage ⚡
FGM4SQ-CC	4"	9 W	800 lm	90	2700, 3000, 3500, 4000, 5000 K	120V, Triac dimming	MV: 120 / 277 / 347V, 0-10V dimming

Specifications

Every fixture includes a junction box with integrated dimmable driver
 Can be daisy chained
 Superior LED performance and lifespan
 90° tilting, 360° rotation
 Minimal heat emission
 Aluminum construction
 Switch-selectable CCT: 2700K/3000 K/3500 K/4000 K/5000 K*
 Low profile
 40° beam spread
 IC certification (suitable for direct contact with insulation)
 Air-tight certified as per ASTM E283-04
 Suitable for wet locations
 Refer to website for dimmer compatibility
 Ideal operating temperature: -20° to 40° C
 5-year warranty

Finish

- **BK** Black
- **WH** White

Accessories

- RFP-UNI**
Universal rough-in plate
- RFP-46**
Rough-in plate
- REC-CC-EXT8FT**
8-foot extension cable
- REC-CC-EXT20FT**
20-foot extension cable

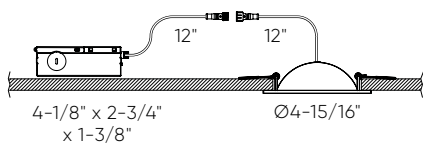
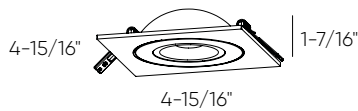
Multi-voltage ⚡

This product family offers multi-voltage drivers (120/277/347) that are dimmable using 0-10V dimming systems. Please note that longer lead times may apply for this option. Kindly reach out to your DALI representative for additional information and to confirm availability.

Note

Other color temperatures, finishes, and voltage options are available but may require minimum order quantities (MOQs) and longer lead times. Please contact your DALI representative for more information.

FGM4SQ



Pivot duo

With an infinite choice of beam direction, Pivot Duo provides a discrete yet functional solution to general or accent lighting within your space.

UPGRADE



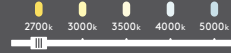
WET



SWIVEL/DIRECTIONAL



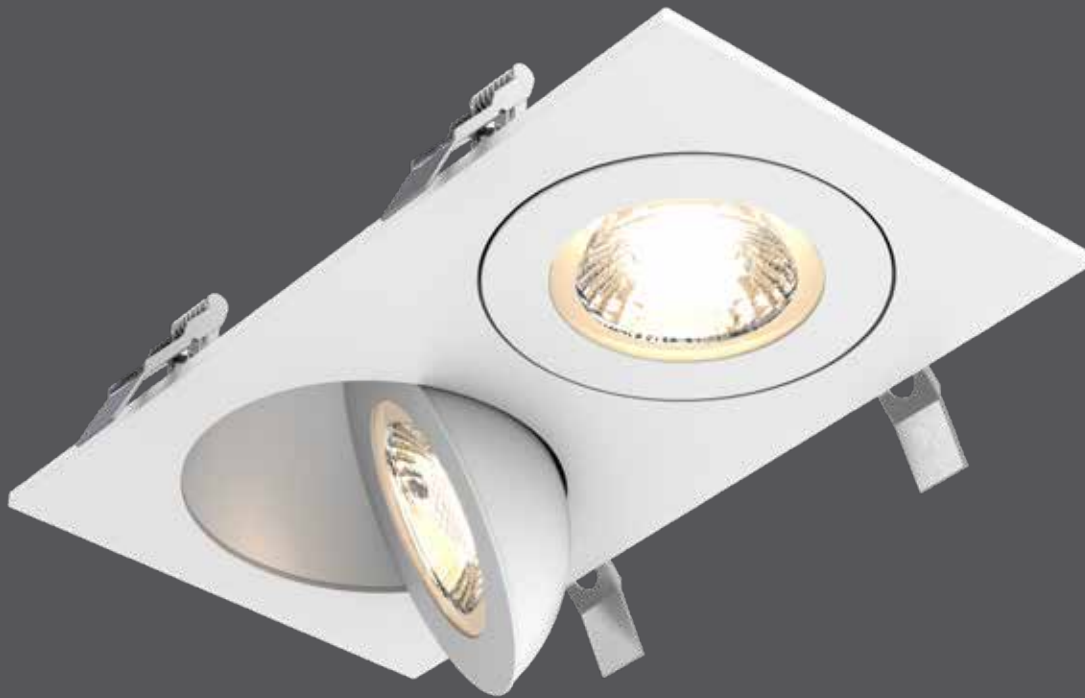
IC RATED



COLOR TEMPERATURE



JA8 CERTIFIED



Model	Size	Watts	Delivered lumens	CRI	Color °T	Standard voltage	Multi-voltage ⚡
FGM4-CC-DUO	4"	18 W	1475 lm	90	2700, 3000, 3500, 4000, 5000 K	120V, Triac dimming	MV: 120 / 277 / 347V, 0-10V dimming

Specifications

Includes a junction box with integrated dimmable driver
 Can be daisy chained
 Superior LED performance and lifespan
 90° tilting, 360° rotation
 Minimal heat emission
 Aluminum construction
 Switch-selectable CCT: 2700K/3000 K/3500 K/4000 K/5000 K
 Low profile
 40° beam spread
 IC certification (suitable for direct contact with insulation)
 Air-tight certified as per ASTM E283-04
 Suitable for wet locations
 Refer to website for dimmer compatibility
 Ideal operating temperature: -20° to 40° C
 5-year warranty

Finish

- **BK** Black
- **WH** White

Accessories


- RFP-DUO**
Rough-in plate
- REC-CC-EXT8FT**
8-foot extension cable
- REC-CC-EXT20FT**
20-foot extension cable

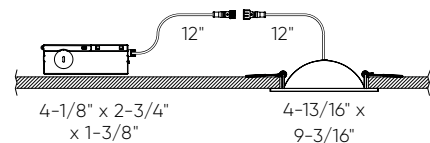
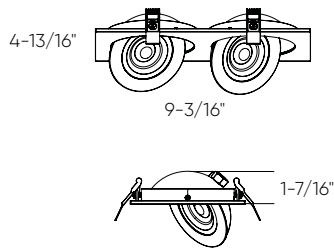
Multi-voltage ⚡

This product family offers multi-voltage drivers (120/277/347) that are dimmable using 0-10V dimming systems. Please note that longer lead times may apply for this option. Kindly reach out to your DALs representative for additional information and to confirm availability.

Note

Other color temperatures, finishes, and voltage options are available but may require minimum order quantities (MOQs) and longer lead times. Please contact your DALs representative for more information.

FGM4-CC-DUO 8-5/8" X 4-3/4" 



Scope

There are moments when you want the ability to direct light as you please. With our LED Gimbal recessed fixture, this has now become a reality with the easiest of installations.

NEW WET ENERGY STAR Intertek IC RATED JA8 CERTIFIED

30° SWIVEL/DIRECTIONAL AIR TIGHT

2700k 3000k 3500k 4000k 5000k COLOR TEMPERATURE



Model	Size	Watts	Delivered lumens	CRI	Color °T	Standard voltage	Multi-voltage ⚡
GMB2-CC	2"	8 W	725 lm	90	2700, 3000, 3500, 4000, 5000 K	120V, Triac dimming	MV: 120 / 277 / 347V, 0-10V dimming
LEDDOWNG3-CC	3"	8 W	680 lm				
GMB4-CC	4"	11 W	810 lm				

Specifications

Every fixture includes a junction box with integrated dimmable driver
 Can be daisy chained (3" and 4" models only)
 Superior LED performance and lifespan
 30° tilting, 360° rotation
 Minimal heat emission
 Aluminum construction
 Switch-selectable CCT: 2700K/3000 K/3500 K/4000 K/5000 K
 Low profile
 40° beam spread
 IC certification (suitable for direct contact with insulation)
 Air-tight certified as per ASTM E283-04
 JA8 Certified
 Suitable for wet locations
 Refer to website for dimmer compatibility
 Ideal operating temperature: -20° to 40° C
 FT6 rated cable
 5-year warranty

Finish

- **BK** Black
- **SN** Satin Nickel (3" and 4" models only)
- **WH** White

Accessories

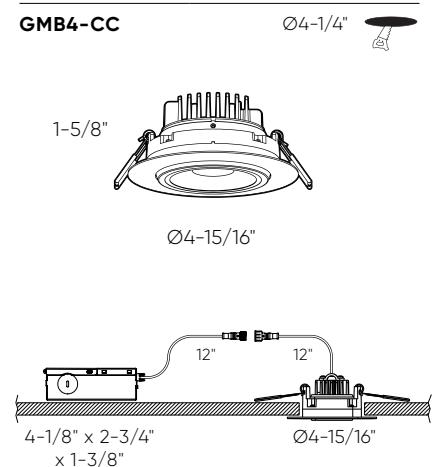
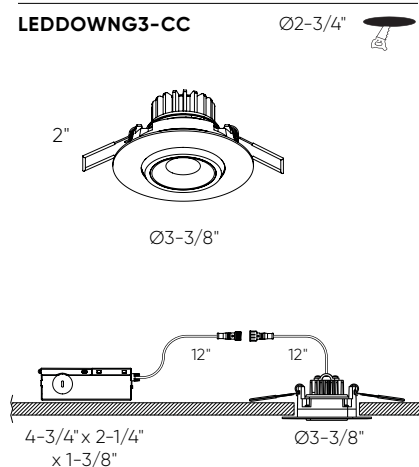
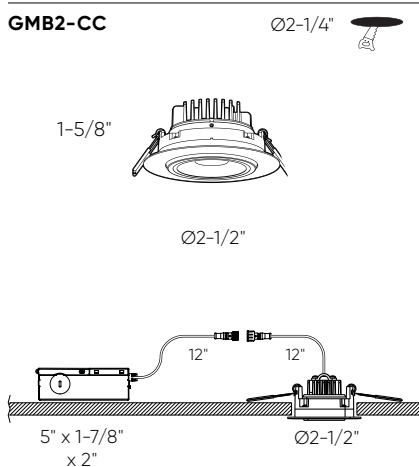
- RFP-UNI**
Universal rough-in plate (3" and 4" models)
- RFP-GMB2**
Rough-in plate (GMB2-CC)
- RFP-23**
Rough-in plate (LEDDOWNG3-CC)
- RFP-46**
Rough-in plate (GMB4-CC)
- REC-CC-EXT8FT**
8-foot extension cable
- REC-CC-EXT20FT**
20-foot extension cable

Multi-voltage ⚡

This product family offers multi-voltage drivers (120/277/347) that are dimmable using 0-10V dimming systems. Please note that longer lead times may apply for this option. Kindly reach out to your DALI representative for additional information and to confirm availability.

Note

Other color temperatures, finishes, and voltage options are available but may require minimum order quantities (MOQs) and longer lead times. Please contact your DALI representative for more information.



Aperture

From residential use to art galleries & boutiques, our multi-function downlight will check all the boxes. You can choose between recessed or spotlight, control the beam angle, and tilt the head 90 degrees.



Model	Size	Watts	Delivered lumens	CRI	Color °T	Voltage
MFD03-CC	3"	8 W	600 lm	90	2700, 3000, 3500, 4000, 5000 K	120 V

Specifications

Over 50,000 hours of service life
 Every fixture includes a junction box with integrated dimmable driver
 Switch-selectable CCT: 2700 K/3000 K/3500 K/4000 K/5000 K
 Can be daisy chained
 Superior LED performance and lifespan
 90° tilting, 360° rotation
 Adjustable beam angle from 30° to 60°
 IC certification (suitable for direct contact with insulation)
 Air-tight certified as per ASTM E283-04
 JA8 Certified
 Refer to website for dimmer compatibility
 5-year warranty

Finish

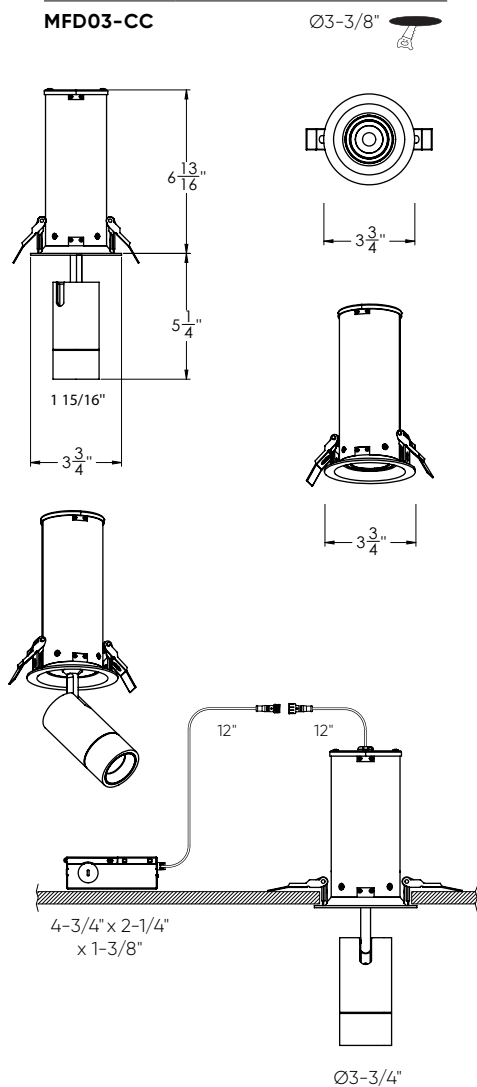
- **BK** Black
- **WH** White

Note

Other color temperatures, finishes, and voltage options are available but may require minimum order quantities (MOQs) and longer lead times. Please contact your DALI representative for more information.

Accessories

- RFP-UNI**
Universal rough-in plate
- REC-CC-EXT8FT**
8-foot extension cable
- REC-CC-EXT20FT**
20-foot extension cable



Pinpoint series

This series provides a contemporary aesthetic and functional design to your space. Available in various styles, and framed by a powder-coat finish, these high-output fixtures deliver crisp, low-glare light.



DRY



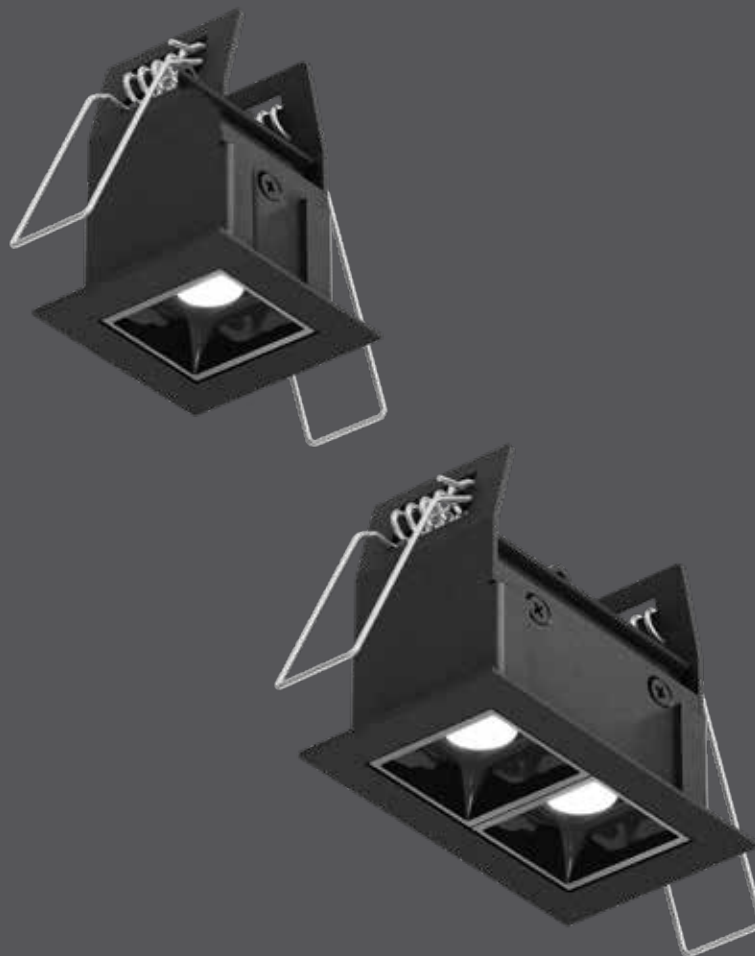
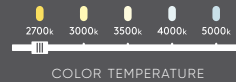
LOW-GLARE



ETL US
Intertek



IC
RATED



Model	Size	Watts	Delivered lumens	CRI	Color °T	Voltage
MSL1-CC	2"	3 W	120 lm	90	2700, 3000, 3500,	120 V
MSL2-CC	3"	6 W	320 lm		4000, 5000 K	

Specifications

Over 50,000 hours of service life
 Every fixture includes a junction box with integrated dimmable driver
 Switch-selectable CCT: 2700 K/3000 K/3500 K/4000 K/5000 K
 Can be daisy chained
 Superior LED performance and lifespan
 Regressed light source
 Minimal heat emission
 Aluminum construction
 Suitable for dry locations
 Refer to website for dimmer compatibility
 5-year warranty

Accessories

RFP-MSL1
 Rough-in plate for MSL1
RFP-MSL2
 Rough-in plate for MSL2
REC-CC-EXT8FT
 8-foot extension cable
REC-CC-EXT20FT
 20-foot extension cable

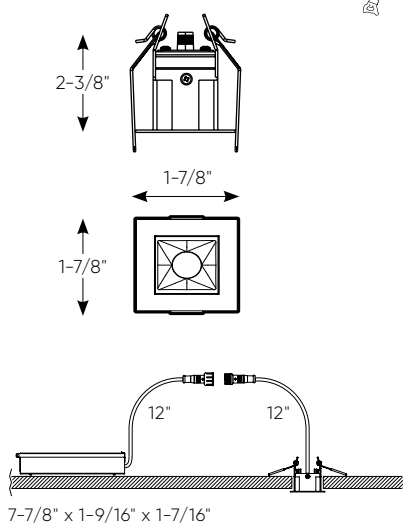
Finish

- **BK** Black
- **AWH** White

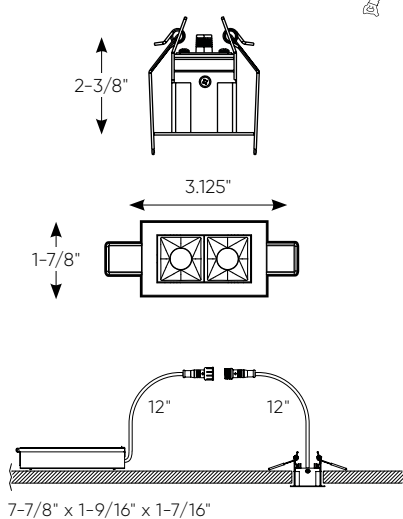
Note

Other color temperatures, finishes, and voltage options are available but may require minimum order quantities (MOQs) and longer lead times. Please contact your DALI representative for more information.

MSL1-CC 1-9/16" x 1-9/16"



MSL2-CC 1-9/16" x 2-5/8"



Pinpoint series

This series provides a contemporary aesthetic and functional design to your space. Available in various styles, and framed by a powder-coat finish, these high-output fixtures deliver crisp, low-glare light. Available with pivoting multi-directional* optics or traditional fixed downlight.



DRY



30°
SWIVEL/DIRECTIONAL*



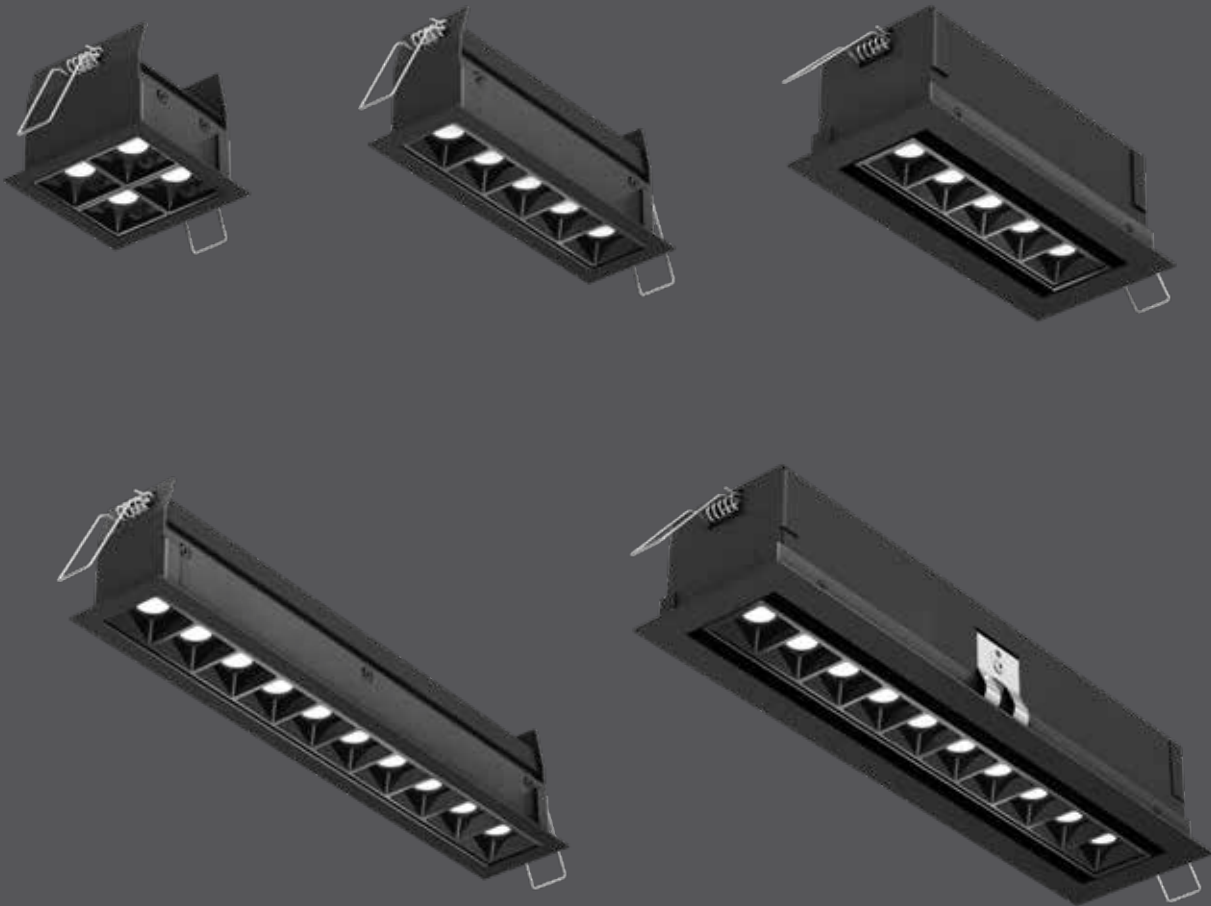
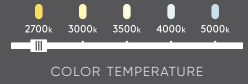
LOW-GLARE



Intertek



IC
RATED



*Models MSL5G-CC and MSL10G-CC only

Model	Size	Watts	Delivered lumens	CRI	Color °T	Voltage
MSL4-CC	3"	12 W	600 lm	90	2700, 3000, 3500, 4000, 5000 K	120 V
MSL5-CC	7"	14 W	800 lm			
MSL5G-CC	7"	14 W	800 lm			
MSL10-CC	13"	24 W	1300 lm			
MSL10G-CC	13"	24 W	1300 lm			

Specifications

Every fixture includes a junction box with integrated dimmable driver
 Switch-selectable CCT: 2700 K/3000 K/3500 K/4000 K/5000 K
 Can be daisy chained
 Superior LED performance and lifespan
 Regressed light source
 Aluminum construction

30 degree swivel (models MSL5G and MSL10G only)
 IC rated
 Low-glare
 Suitable for dry locations
 Refer to website for dimmer compatibility
 5-year warranty

Accessories

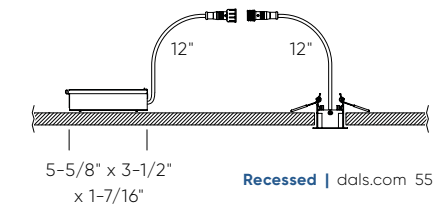
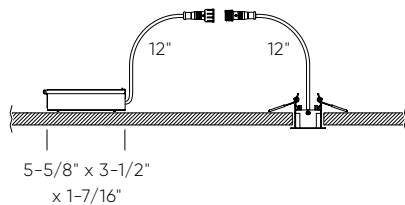
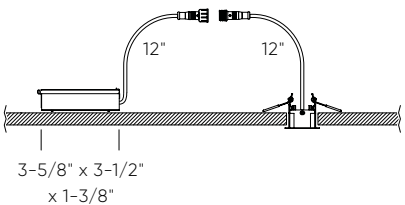
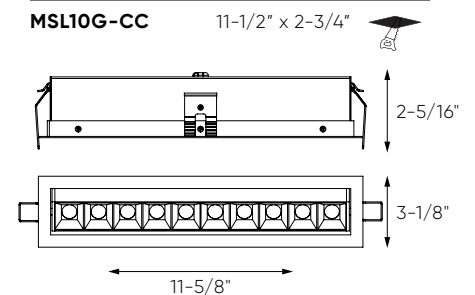
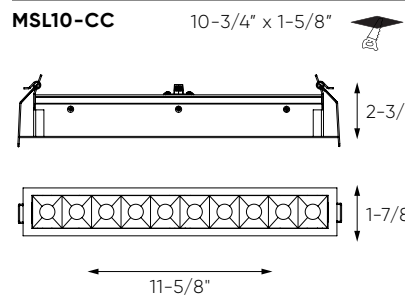
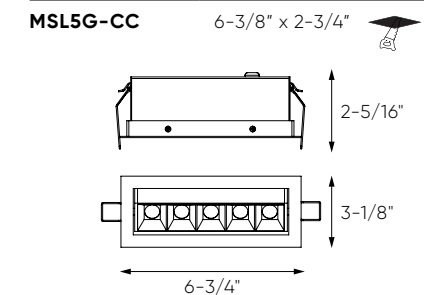
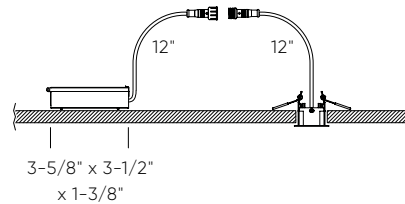
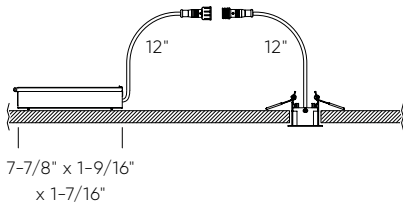
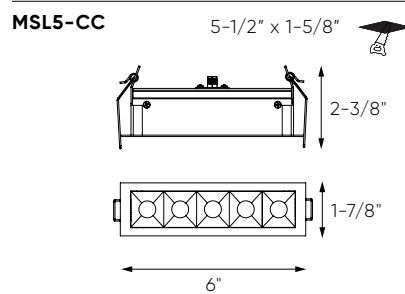
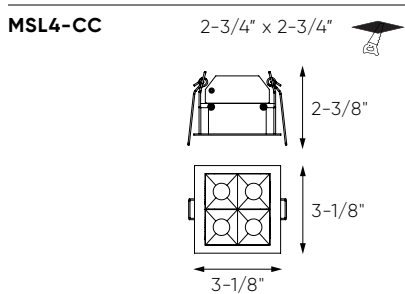
- RFP-MSL4**
Rough-in plate for MSL4
- RFP-MSL5**
Rough-in plate for MSL5
- RFP-MSL5G**
Rough-in plate for MSL5G
- RFP-MSL10**
Rough-in plate for MSL10
- RFP-MSL10G**
Rough-in plate for MSL10G
- REC-CC-EXT8FT**
8-foot extension cable
- REC-CC-EXT20FT**
20-foot extension cable

Finish

- BK** Black
- WH** White

Note

Other color temperatures, finishes, and voltage options are available but may require minimum order quantities (MOQs) and longer lead times. Please contact your DALI representative for more information.



RGR series

When choosing a recessed fixture, eliminating glare is a priority. The unique positioning of the LED module in this series of downlights will meet that important need.

NEW WET LOW-GLARE ENERGY STAR IC RATED AIR TIGHT JA8 CERTIFIED

2700k 3000k 3500k 4000k 5000k
COLOR TEMPERATURE

ETL Intertek



Model	Size	Watts	Delivered lumens	CRI	Color °T	Standard voltage	Multi-voltage ⚡
RGR1-CC	1"	6 W	500 lm	90	2700, 3000, 3500, 4000, 5000 K	120V, Triac dimming	MV: 120 / 277 / 347V, 0-10V dimming
RGR2-CC	2"	8 W	600 lm				
RGR2HP-CC	2"	15 W	1080 lm				
RGR4-CC	4"	14 W	1100 lm				
RGR4HP-CC	4"	20 W	1560 lm				
RGR6-CC	6"	20 W	1600 lm				

Specifications

Every fixture includes a junction box with integrated dimmable driver
 Regressed light source
 Minimal heat emission
 Aluminum construction
 Switch-selectable CCT: 2700K / 3000 K / 3500 K / 4000 K / 5000 K
 IC certification (suitable for direct contact with insulation)
 Air-tight certified as per ASTM E283-04
 40° beam angle
 Suitable for wet locations
 Refer to website for dimmer compatibility
 Ideal operating temperature: -20° to 40° C
 5-year warranty

Finish

- **BK** Black
- **WH** White

Accessories

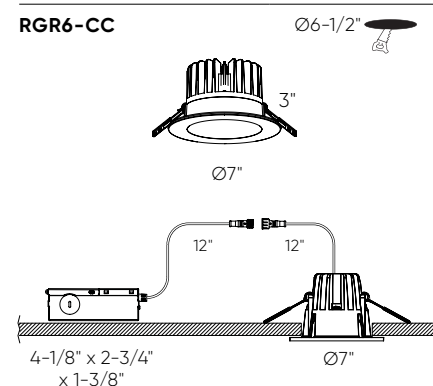
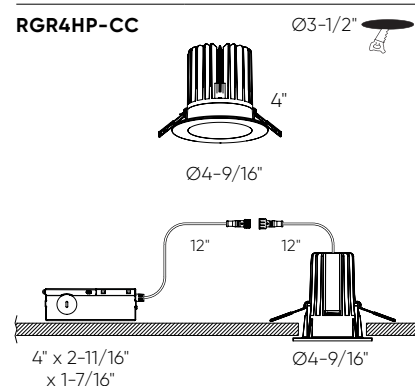
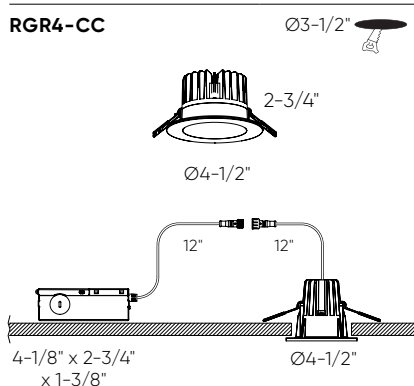
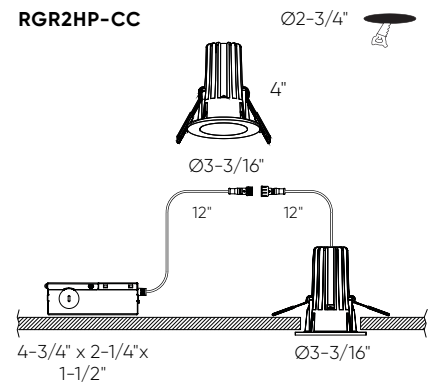
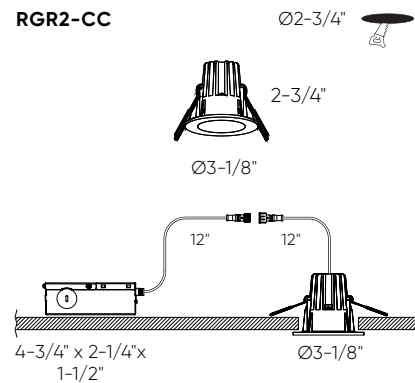
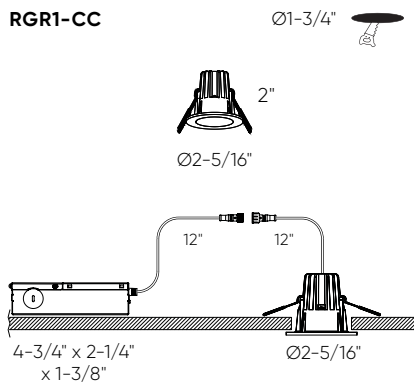
- RFP-23**
Rough-in plate for RGR2
- RFP-35**
Rough-in plate for RGR4
- RFP-46**
Rough-in plate for RGR6
- REC-CC-EXT8FT**
8-foot extension cable
- REC-CC-EXT20FT**
20-foot extension cable

Multi-voltage ⚡

This product family offers multi-voltage drivers (120/277/347) that are dimmable using 0-10V dimming systems. Please note that longer lead times may apply for this option. Kindly reach out to your DALI representative for additional information and to confirm availability.

Note

Other color temperatures, finishes, and voltage options are available but may require minimum order quantities (MOQs) and longer lead times. Please contact your DALI representative for more information.



RGR square series

When choosing a recessed fixture, eliminating glare is a priority. The unique positioning of the LED module in this series of downlights will meet that important need.

UPGRADE



WET



LOW-GLARE



ENERGY STAR



IC

RATED



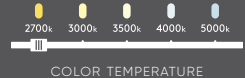
AIR TIGHT



CERTIFIED



Intertek



Model	Size	Watts	Delivered lumens	CRI	Color °T	Standard voltage	Multi-voltage ⚡
RGR2SQ-CC	2"	8 W	600 lm	90	2700, 3000, 3500, 4000, 5000 K	120V, Triac dimming	MV: 120 / 277 / 347V, 0-10V dimming
RGR4SQ-CC	4"	14 W	1100 lm				
RGR6SQ-CC	6"	20 W	1600 lm				

Specifications

Every fixture includes a junction box with integrated dimmable driver
 Can be daisy chained (4" and 6" models only)
 Superior LED performance and lifespan
 Regressed light source
 Minimal heat emission
 Aluminum construction
 Switch-selectable CCT: 2700K / 3000 K / 3500 K / 4000 K / 5000 K
 IC certification (suitable for direct contact with insulation)
 Air-tight certified as per ASTM E283-04
 40° beam angle
 Suitable for wet locations
 Refer to website for dimmer compatibility
 JA8 Certified
 Ideal operating temperature: -20° to 40° C
 5-year warranty

Finish

- **BK** Black
- **SN** Satin Nickel
- **WH** White

Accessories

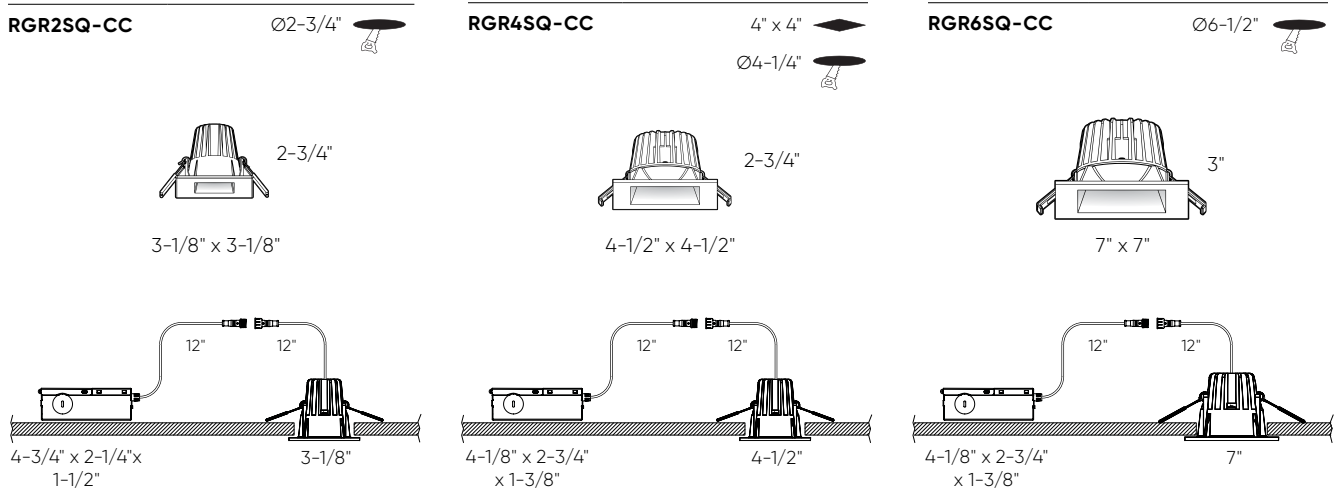
- RFP-23**
Rough-in plate for RGR2SQ
- RFP-46**
Rough-in plate for RGR4SQ & RGR6SQ
- REC-CC-EXT8FT**
8-foot extension cable
- REC-CC-EXT20FT**
20-foot extension cable

Multi-voltage ⚡

This product family offers multi-voltage drivers (120/277/347) that are dimmable using 0-10V dimming systems. Please note that longer lead times may apply for this option. Kindly reach out to your DALI representative for additional information and to confirm availability.

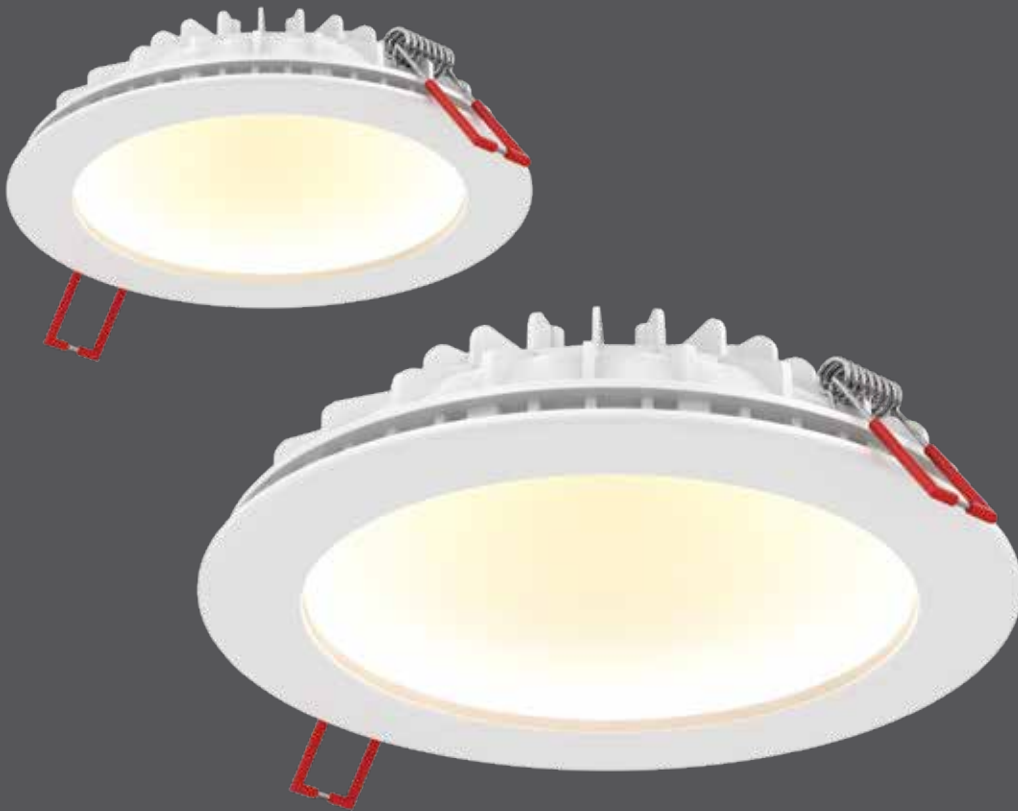
Note

Other color temperatures, finishes, and voltage options are available but may require minimum order quantities (MOQs) and longer lead times. Please contact your DALI representative for more information.



Indirect

Imagine being able to create the perfect mood when dimming your lights. This is now possible with our Dim to Warm concept, generating a warm, exquisite glow to set the tone for your evening.



Model	Size	Watts	Delivered lumens	CRI	Color °T	Voltage
IND4-DW	4"	9 W	500 lm	80	3000 K - 2200 K	120 V
IND6-DW	6"	12 W	750 lm			

Specifications

Every fixture includes a junction box with integrated dimmable driver
 Can be daisy chained
 Over 50,000 hours of service life
 Dim-to-warm technology, dims from 3000 K to 2200 K to mimic incandescent light
 Smooth 360° wide spread
 Minimal heat emission
 Dome reflector
 110° beam spread
 Indirect lighting design with glare reduction

Aluminum construction
 IC certification (suitable for direct contact with insulation)
 Air-tight certified as per ASTM E283-04
 Suitable for damp locations
 Refer to website for dimmer compatibility
 5-year warranty

Finish

○ **WH** White

Accessories

RFP-UNI

Universal rough-in plate

RFP-46

Rough-in plate for 4" and 6" models

REC-3K-EXT8FT

8-foot extension cable

REC-3K-EXT20FT

20-foot extension cable

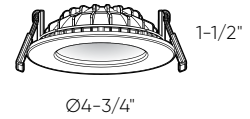
Note

Other color temperatures, finishes, and voltage options are available but may require minimum order quantities (MOQs) and longer lead times. Please contact your DALI representative for more information.



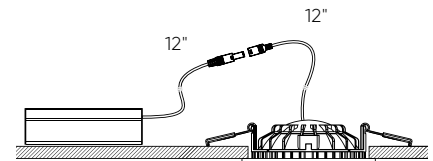
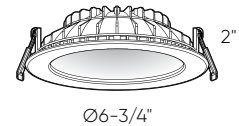
IND4-DW

Ø4-3/8"



IND6-DW

Ø6-1/4"



5-1/16" x 3"
 x 1-5/16"

Hilux

Dals' new high-powered recessed downlight is a go-to for your commercial projects. With its five color temperatures to choose from, a cast aluminum housing, high lumen output, and indoor/outdoor rating, this can be installed just about anywhere. From clinics to schools and hotels to boutiques, this is the only recessed fixture you will need.

WET LOW-GLARE IC RATED AIR TIGHT ETL Intertek

2700k 3000k 3500k 4000k 5000k

COLOR TEMPERATURE

JA8 CERTIFIED ENERGY STAR



Model	Size	Watts	Delivered lumens	CRI	Color °T	Standard voltage	Multi-voltage ⚡
HPD4-CC	4"	20 W	1415 lm	90	2700, 3000, 3500, 4000, 5000 K	120V, Triac dimming	MV: 120 / 277 / 347V, 0-10V dimming
HPD6-CC	6"	30 W	2100 lm				
HPD8-CC	8"	40 W	2600 lm				

Specifications

Every fixture includes a junction box with an integrated driver
 Over 50,000 hours service life
 Switch-selectable CCT: 2700 K/3000 K/3500 K/4000 K/5000 K
 Smooth 360° wide spread
 90° beam angle
 Cast aluminum construction
 Suitable for wet locations
 Refer to website for dimmer compatibility
 IC certification (suitable for direct contact with insulation)
 Air-tight certified as per ASTM E283-04
 5-year warranty

Finish

- **BK** Black (HPD4 and HPD6 only)
- **WH** White

Accessories

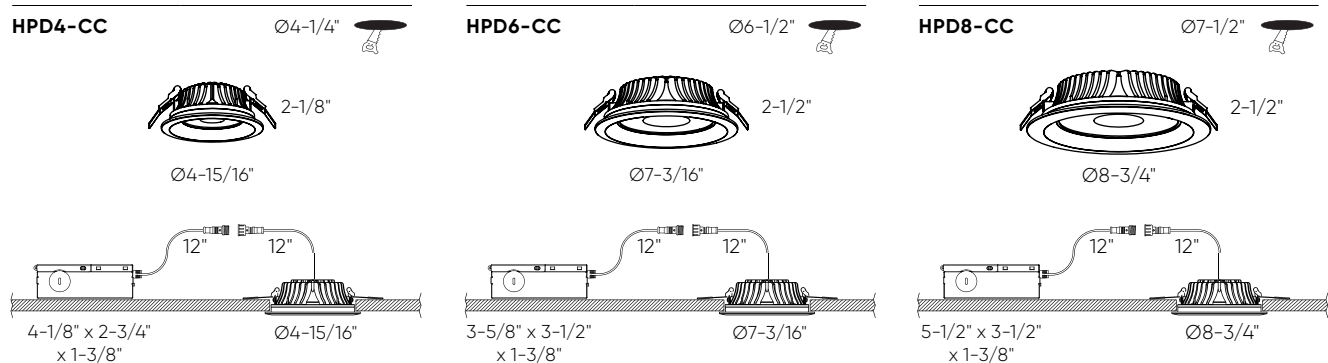
- RFP-UNI**
Universal rough-in plate
- RFP-46 (HPD4, HPD6)**
Rough-in plate
- RFP-58 (HPD8)**
Rough-in plate
- REC-CC-EXT8FT**
8-foot extension cable
- REC-CC-EXT20FT**
20-foot extension cable

Multi-voltage ⚡

This product family offers multi-voltage drivers (120/277/347) that are dimmable using 0-10V dimming systems. Please note that longer lead times may apply for this option. Kindly reach out to your DALI representative for additional information and to confirm availability.

Note

Other color temperatures, finishes, and voltage options are available but may require minimum order quantities (MOQs) and longer lead times. Please contact your DALI representative for more information.



Etch

The Etch range of circular recessed downlights, characterized by a deep-set LED position, provides a functional solution to general lighting without the uncomfortable glare.



WET



LOW-GLARE



Intertek



IC RATED



AIR TIGHT



COLOR TEMPERATURE



Model	Size	Watts	Delivered lumens	CRI	Color °T	Standard voltage	Multi-voltage ⚡
DDP4-CC	4"	15 W	1000 lm	90	2700, 3000, 3500, 4000, 5000 K	120V, Triac dimming	MV: 120 / 277 / 347V, 0-10V dimming
DDP6-CC	6"	20 W	1500 lm				

Specifications

Every fixture includes a junction box with an integrated driver
 Over 50,000 hours of service life
 Can be daisy chained
 Smooth 360° wide spread
 125° beam angle
 Frosted lens
 Edge lit technology
 Cast aluminum construction
 Switch-selectable CCT: 2700 K/3000 K/3500 K/4000 K/5000 K
 IC certification (suitable for direct contact with insulation)
 Air-tight certified as per ASTM E283-04
 Ideal operating temperature: -20° to 40° C
 Suitable for wet locations
 Refer to website for dimmer compatibility
 5-year warranty

Finish

○ **WH** White

Accessories

RFP-46

Rough-in plate

RFP-UNI

Universal rough-in plate

DDP4-TRIM-BK

4" recessed panel trim in black

DDP6-TRIM-BK

6" recessed panel trim in black

REC-CC-EXT8FT

8-foot extension cable

REC-CC-EXT20FT

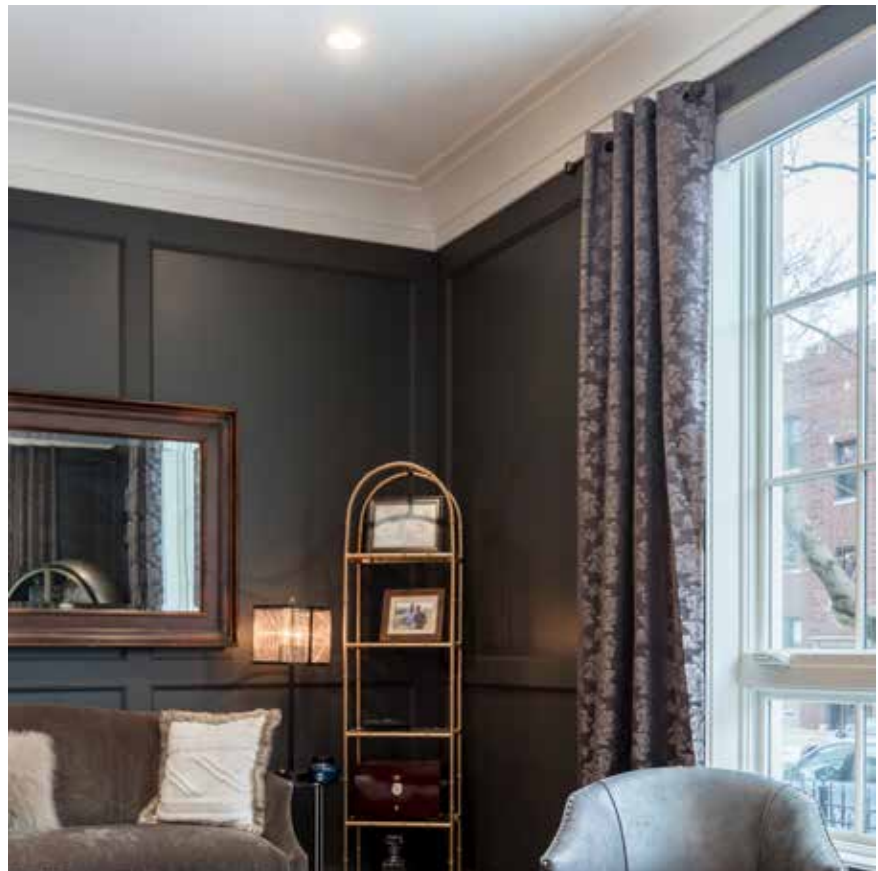
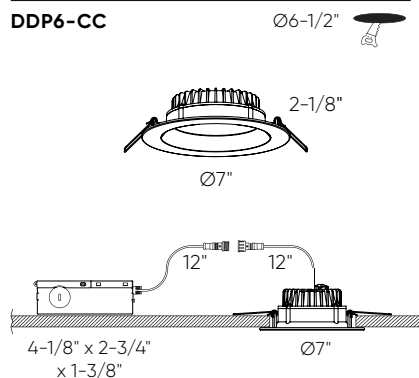
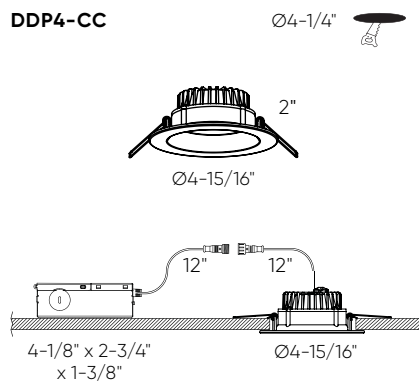
20-foot extension cable

Multi-voltage ⚡

This product family offers multi-voltage drivers (120/277/347) that are dimmable using 0-10V dimming systems. Please note that longer lead times may apply for this option. Kindly reach out to your DALI representative for additional information and to confirm availability.

Note

Other color temperatures, finishes, and voltage options are available but may require minimum order quantities (MOQs) and longer lead times. Please contact your DALI representative for more information.



Notch

The Notch series of recessed downlights is characterized by a deep-set LED position which greatly reduces glare, neatly packaged in a price-conscious solution to general lighting.

AIR TIGHT WET LOW-GLARE ETL Intertek IC RATED

2700k 3000k 3500k 4000k 5000k
COLOR TEMPERATURE

JA8 CERTIFIED ENERGY STAR



Model	Size	Watts	Delivered lumens	CRI	Color °T	Standard voltage	Multi-voltage ⚡
DRR2-CC	2"	9 W	500 lm	90	2700, 3000, 3500, 4000, 5000 K	120V, Triac dimming	MV: 120 / 277 / 347V, 0-10V dimming
DRR4-CC	4"	11 W	800 lm				
DRR6-CC	6"	14 W	1000 lm				

Specifications

Every fixture includes a junction box with an integrated driver
 Over 50,000 hours of service life
 Can be daisy chained
 Smooth 360° wide spread
 100° beam angle
 Frosted lens
 Edge lit technology
 Switch-selectable CCT: 2700 K/3000 K/3500 K/4000 K/5000 K
 IC certification (suitable for direct contact with insulation)
 Air-tight certified as per ASTM E283-04
 Ideal operating temperature: -20° to 40° C
 Suitable for wet locations
 Refer to website for dimmer compatibility
 5-year warranty

Finish

○ WH White

Accessories

RFP-23

Rough-in plate (DRR2)

RFP-46

Rough-in plate (DRR4, DRR6)

RFP-UNI

Universal rough-in plate (DRR4, DRR6)

DRR4-TRIM-BK

4" recessed panel trim in black

DRR4-TRIM-SBA

4" recessed panel trim in sandblasted aluminum

DRR6-TRIM-BK

6" recessed panel trim in black

DRR6-TRIM-SBA

6" recessed panel trim in sandblasted aluminum

REC-CC-EXT8FT

8-foot extension cable

REC-CC-EXT20FT

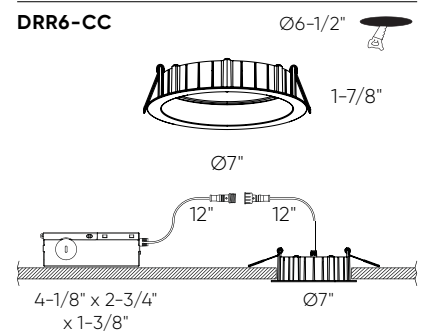
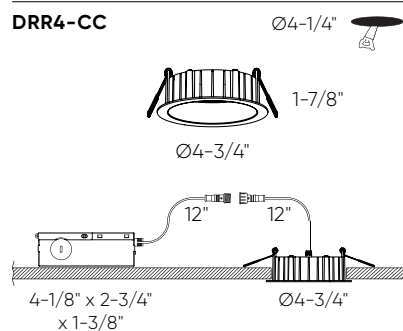
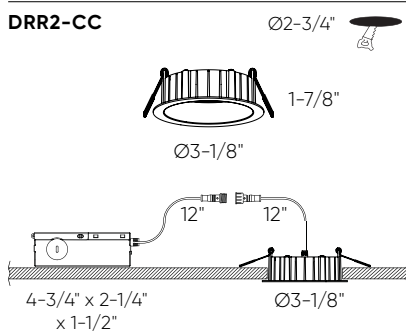
20-foot extension cable

Multi-voltage ⚡

This product family offers multi-voltage drivers (120/277/347) that are dimmable using 0-10V dimming systems. Please note that longer lead times may apply for this option. Kindly reach out to your DALI representative for additional information and to confirm availability.

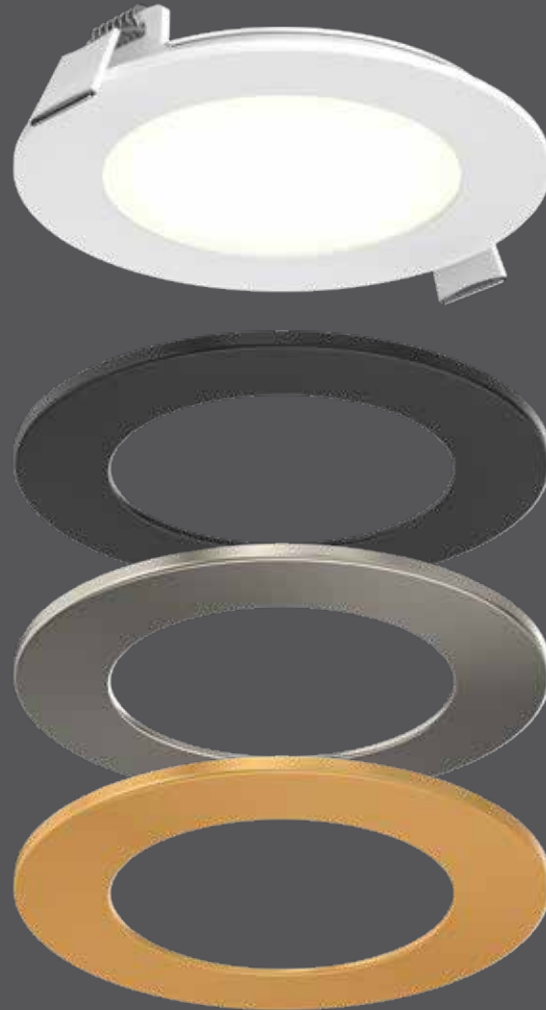
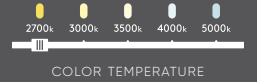
Note

Other color temperatures, finishes, and voltage options are available but may require minimum order quantities (MOQs) and longer lead times. Please contact your DALI representative for more information.



Mystique

If you are looking for a sleek, attractive LED option for your ceilings, then our color-changing panel light with interchangeable trims is the perfect choice. With the flick of a switch, you have the ability to select one of three pre-set color temperatures – 2700K, 3000K, 3500K, 4000K, and 5000K – convenience at your fingertips.



Model	Size	Watts	Delivered lumens	CRI	Color °T	Standard voltage	Multi-voltage ⚡
SPN4-CC	4"	11 W	800 lm	90	2700, 3000, 3500, 4000, 5000 K	120V, Triac dimming	MV: 120 / 277 / 347V, 0-10V dimming
SPN6-CC	6"	14 W	1100 lm				

Specifications

Every fixture includes a junction box with integrated dimmable driver
 Can be daisy chained
 Minimal heat emission
 Aluminum construction
 IC certification (suitable for direct contact with insulation)
 Air-tight certified as per ASTM E283-04
 Over 50,000 hours of service life
 3 interchangeable trim colors included
 Switch-selectable CCT: 2700 K/3000 K/3500 K/4000 K/5000 K
 110° beam angle
 Suitable for wet locations
 Refer to website for dimmer compatibility
 Ideal operating temperature:
 -20° to 40° C
 5-year warranty

Finish

- **BK** Black
- **GD** Gold
- **SN** Satin Nickel
- **WH** White

Accessories

- RFP-UNI**
Universal rough-in plate
- RFP-46**
Rough-in plate for 4" and 6" models
- REC-CC-EXT8FT**
8-foot extension cable
- REC-CC-EXT20FT**
20-foot extension cable


Multi-voltage ⚡

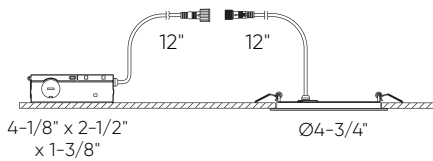
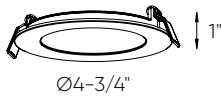
This product family offers multi-voltage drivers (120/277/347) that are dimmable using 0-10V dimming systems. Please note that longer lead times may apply for this option. Kindly reach out to your DALI representative for additional information and to confirm availability.

Note


Other color temperatures, finishes, and voltage options are available but may require minimum order quantities (MOQs) and longer lead times. Please contact your DALI representative for more information.

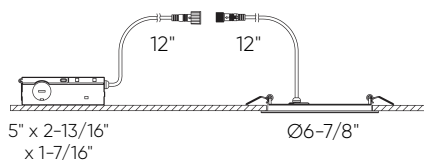
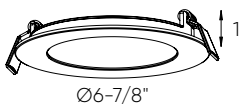
SPN4-CC

Ø4-1/4" 



SPN6-CC

Ø6-1/2" 



Mystique square

If you are looking for a sleek, attractive LED option for your ceilings, then our color-changing panel light with interchangeable trims is the perfect choice. With the flick of a switch, you have the ability to select one of three pre-set color temperatures – 2700K, 3000K, 3500K, 4000K, and 5000K – convenience at your fingertips.



WET



MULTIPLE TRIM
COLORS



ENERGY STAR



Intertek



IC
RATED



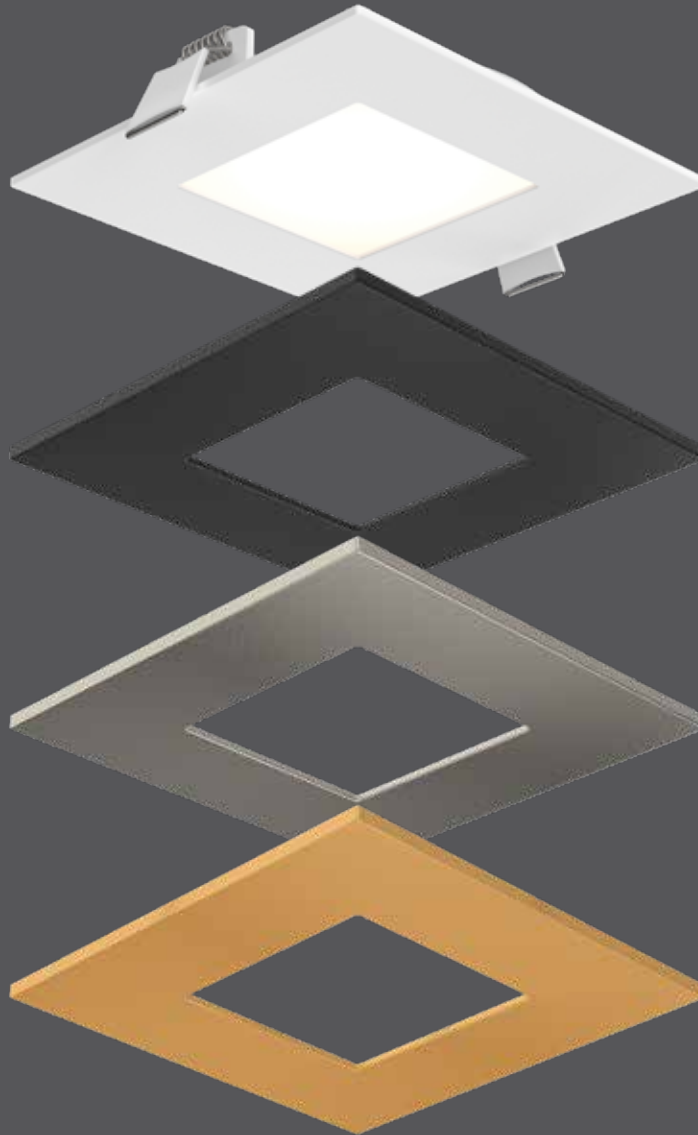
JA8
CERTIFIED



AIR TIGHT



COLOR TEMPERATURE



Model	Size	Watts	Delivered lumens	CRI	Color °T	Standard voltage	Multi-voltage ⚡
SPN4SQ-CC	4"	11 W	800 lm	90	2700, 3000, 3500, 4000, 5000 K	120V, Triac dimming	MV: 120 / 277 / 347V, 0-10V dimming
SPN6SQ-CC	6"	14 W	1100 lm				

Specifications

Every fixture includes a junction box with integrated dimmable driver
 Can be daisy chained
 Minimal heat emission
 Aluminum construction
 IC certification (suitable for direct contact with insulation)
 Air-tight certified as per ASTM E283-04
 Over 50,000 hours of service life
 3 interchangeable trim colors included
 Switch-selectable CCT: 2700 K/3000 K/3500 K/4000 K/5000 K
 110° beam angle
 Suitable for wet locations
 Refer to website for dimmer compatibility
 Ideal operating temperature: -20° to 40° C
 5-year warranty

Finish

- **BK** Black
- **GD** Gold
- **SN** Satin Nickel
- **WH** White

Accessories

- RFP-UNI**
Universal rough-in plate
- RFP-46**
Rough-in plate for 4" and 6" models
- REC-CC-EXT8FT**
8-foot extension cable
- REC-CC-EXT20FT**
20-foot extension cable

Multi-voltage ⚡

This product family offers multi-voltage drivers (120/277/347) that are dimmable using 0-10V dimming systems. Please note that longer lead times may apply for this option. Kindly reach out to your DALI representative for additional information and to confirm availability.

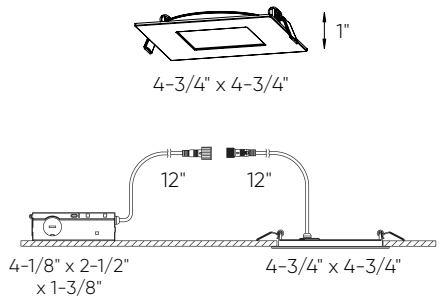
Note

Other color temperatures, finishes, and voltage options are available but may require minimum order quantities (MOQs) and longer lead times. Please contact your DALI representative for more information.



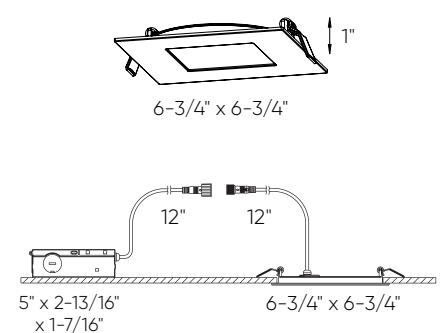
SPN4SQ-CC

Ø4-1/4"



SPN6SQ-CC

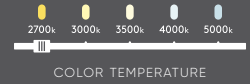
Ø6-1/2"



Excel

LED panel lights are more accessible than ever before. The sleek and minimal construction allows for the easiest of installations.

UPGRADE



Model	Size	Watts	Delivered lumens	CRI	Color °T	Standard voltage	Multi-voltage ⚡
5003-CC	3"	8 W	600 lm	90	2700, 3000, 3500, 4000, 5000 K	120V, Triac dimming	MV: 120 / 277 / 347V, 0-10V dimming
5004-CC	4"	11 W	800 lm				
5005-CC	5"	12 W	900 lm				
5006-CC	6"	14 W	1100 lm				
5004SQ-CC*	4"	11 W	800 lm				

*Square model

Specifications

Every fixture includes a junction box with an integrated driver
 Over 50,000 hours of service life
 Can be daisy chained
 Minimal heat emission
 Edge lit technology
 Cast aluminum construction
 Switch-selectable CCT: 2700 K/3000 K/3500 K/4000 K/5000 K
 Very low profile
 IC certification (suitable for direct contact with insulation)
 Air-tight certified as per ASTM E283-04
 Suitable for wet locations
 Ideal operating temperature: -20° to 40° C
 Refer to website for dimmer compatibility
 5-year warranty

Finish

- **BK** Black
- **SN** Satin Nickel (5004-CC only)
- **WH** White

Multi-voltage ⚡

This product family offers multi-voltage drivers (120/277/347) that are dimmable using 0-10V dimming systems. Please note that longer lead times may apply for this option. Kindly reach out to your DALI representative for additional information and to confirm availability.

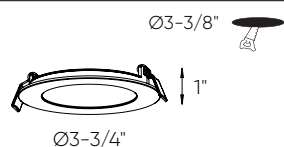
Note

Other color temperatures, finishes, and voltage options are available but may require minimum order quantities (MOQs) and longer lead times. Please contact your DALI representative for more information.

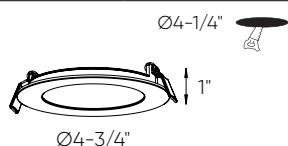
Accessories

- REC-TRIM4-BK (5004)**
4" recessed panel trim in black
- REC-TRIM4-GD (5004)**
4" recessed panel trim in gold
- REC-TRIM4-SN (5004)**
4" recessed panel trim in satin nickel
- REC-TRIM6-BK (5006)**
6" recessed panel trim in black
- REC-TRIM6-GD (5006)**
6" recessed panel trim in gold
- REC-TRIM6-SN (5006)**
6" recessed panel trim in satin nickel
- 5000-EXT8FT**
8-foot extension cable
- 5000-EXT20FT**
20-foot extension cable
- RFP-23 (5003)**
Rough-in plate
- RFP-46 (5004, 5006)**
Rough-in plate
- RFP-58 (5005)**
Rough-in plate
- RFP-UNI (5003, 5004, 5006)**
Universal rough-in plate

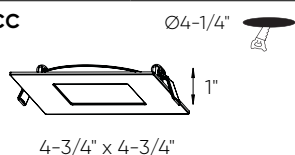
5003-CC



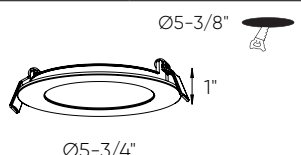
5004-CC



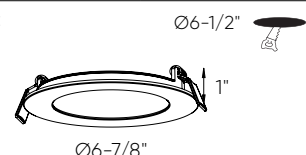
5004SQ-CC



5005-CC



5006-CC



4-1/8" x 2-1/2"
x 1-3/8"

4-1/8" x 2-1/2"
x 1-3/8"

5" x 2-13/16"
x 1-7/16"

Excel

When looking for a modern design, a square lighting fixture is often the best choice. Even better, imagine being able to use a round cutout for installation. This is now a reality with the improved concept of this square panel light.

NEW

WET

ENERGY STAR

AIR TIGHT

ETL Intertek

IC RATED

2700k 3000k 3500k 4000k 5000k

COLOR TEMPERATURE

WARM DIMMING*

FIRE RATED**



*Model 5004-DW only

**Models 5004-FR-CC, 5006-FR-CC only

Model	Size	Watts	Delivered lumens	CRI	Color °T	Standard voltage	Multi-voltage ⚡
5004-DW*	4"	11 W	850 lm	80	3000 K - 2200 K	120 V, Triac dimming	MV: 120 / 277 / 347V, 0-10V dimming
5004-FR-CC**	4"	11 W	825 lm		2700, 3000, 3500, 4000, 5000 K		
5006-FR-CC**	4"	14 W	1230 lm				

*Dim-to-warm technology dims from 3000 K to 2200 K

**2-hour fire-rated without additional housing or hardware, in accordance with UL 263, ASTM E119, and CAN ULC S101

Specifications

Every fixture includes a junction box with an integrated driver
 Over 35,000 hours of service life
 Can be daisy chained
 Superior LED performance and lifespan
 Smooth 360° wide spread
 Minimal heat emission
 Frosted lens
 Edge lit technology
 Aluminum construction
 Switch-selectable CCT: 2700 K/3000 K/3500 K/4000 K/5000 K
 Very low profile
 IC certification (suitable for direct contact with insulation)
 Air-tight certified as per ASTM E283-04
 Suitable for wet locations
 Refer to website for dimmer compatibility
 Ideal operating temperature: -20° to 40° C
 5-year warranty

Finish

● **BK** Black

Accessories

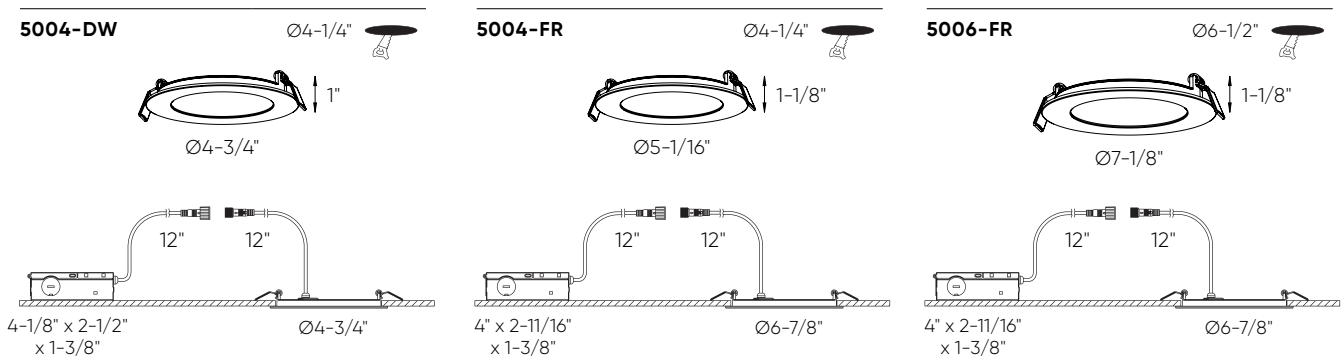
- REC-TRIM4-BK (5004-DW only)**
4" recessed panel trim in black
- REC-TRIM4-GD (5004-DW only)**
4" recessed panel trim in gold
- REC-TRIM4-SN (5004-DW only)**
4" recessed panel trim in satin nickel
- REC-3K-EXT8FT (5004-DW only)**
8-foot extension cable
- REC-3K-EXT20FT (5004-DW only)**
20-foot extension cable
- REC-CC-EXT8FT (5004/6-FR only)**
8-foot extension cable
- REC-CC-EXT20FT (5004/6-FR only)**
20-foot extension cable
- RFP-46 (5004, 5006)**
Rough-in plate
- RFP-UNI (5004, 5006)**
Universal rough-in plate

Multi-voltage ⚡

This product family offers multi-voltage drivers (120/277/347) that are dimmable using 0-10V dimming systems. Please note that longer lead times may apply for this option. Kindly reach out to your DALI representative for additional information and to confirm availability.

Note

Other color temperatures, finishes, and voltage options are available but may require minimum order quantities (MOQs) and longer lead times. Please contact your DALI representative for more information.



Access

LED panel lights are more accessible than ever before. The sleek and minimal construction allows for the easiest of installations.



Model	Size	Watts	Delivered lumens	CRI	Color °T	Voltage
2003	3"	6 W	400 lm	80	3000 K	120 V
2004	4"	9 W	600 lm			
2006	6"	11 W	800 lm			

Specifications

Every fixture includes a junction box with an integrated driver
 Over 35,000 hours of service life
 Can be daisy chained
 Superior LED performance and lifespan
 Smooth 360° wide spread
 Minimal heat emission
 Frosted lens
 Edge lit technology
 Aluminum construction
 Very low profile
 IC certification (suitable for direct contact with insulation)
 Air-tight certified as per ASTM E283-04
 Suitable for damp locations
 Refer to website for dimmer compatibility
 5-year warranty

Finish

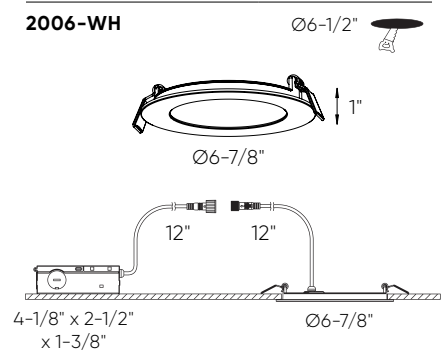
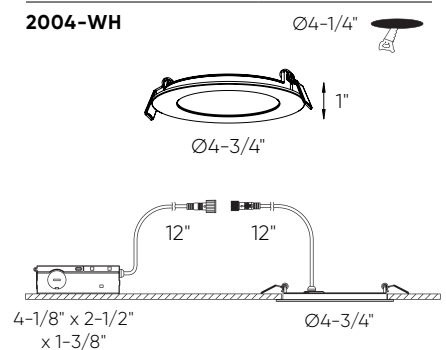
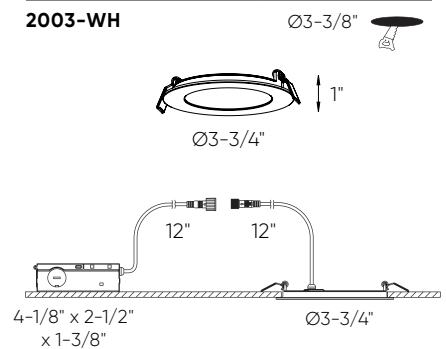
○ **WH** White

Accessories

REC-TRIM4-BK (2004)
 4" recessed panel trim in black
REC-TRIM4-GD (2004)
 4" recessed panel trim in gold
REC-TRIM4-SN (2004)
 4" recessed panel trim in satin nickel
REC-TRIM6-BK (2006)
 6" recessed panel trim in black
REC-TRIM6-GD (2006)
 6" recessed panel trim in gold
REC-TRIM6-SN (2006)
 6" recessed panel trim in satin nickel
2000-EXT8FT
 8-foot extension cable
2000-EXT20FT
 20-foot extension cable
RFP-23 (2003)
 Rough-in plate
RFP-46 (2004, 2006)
 Rough-in plate
RFP-UNI (2004, 2006)
 Universal rough-in plate

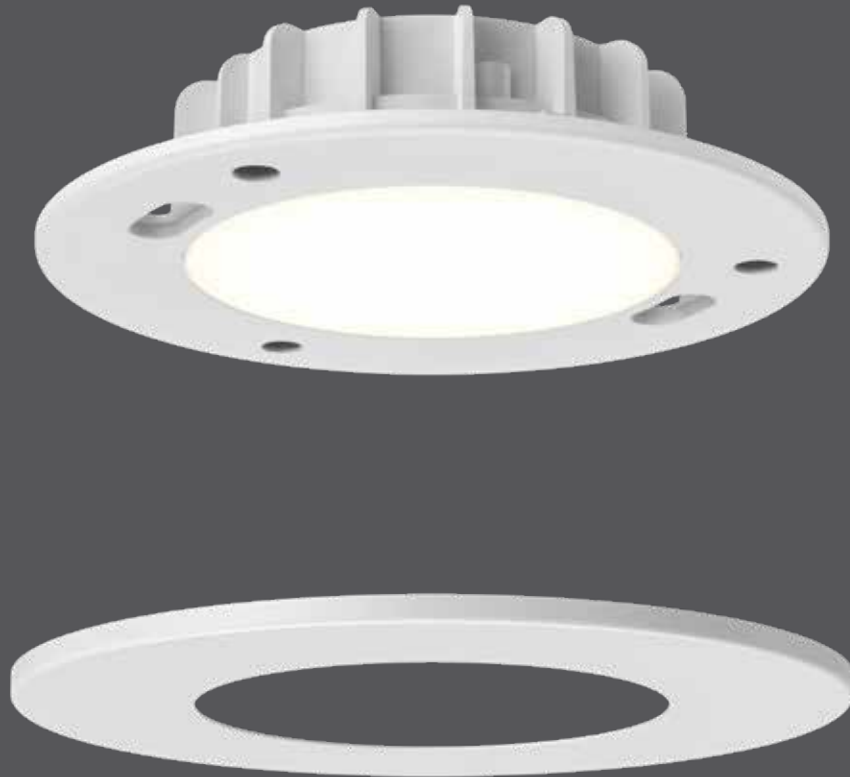
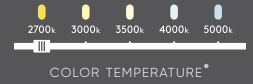
Note

Other color temperatures, finishes, and voltage options are available but may require minimum order quantities (MOQs) and longer lead times. Please contact your DALs representative for more information.



Alter series

This aluminum retrofit LED panel offers the easiest and most practical solution for upgrading your outdated recessed lighting. For style and convenience, the removable outer trim attaches with magnetic fasteners, creating a seamless look. It can be easily retrofitted into existing 4" canisters or standard octagonal junction boxes.



*Model RTJB4-CC only

Model	Size	Watts	Delivered lumens	CRI	Color °T	Voltage
RTJB4-3K	4"	9 W	550 lm	90	3000 K	120 V
RTJB4-CC	4"	9 W	565 lm		2700, 3000, 3500, 4000, 5000 K	

Specifications

Fits on octagonal junction boxes
 Fire rated alternative when mounted onto a fire rated junction box
 Minimal heat emission
 Aluminum construction
 Switch-selectable CCT: 2700 K/3000 K/3500 K/4000 K/5000 K (model RTJB4-CC only)
 Over 50,000 hours of service life
 Magnetic trim finish
 Air-tight certified as per ASTM E283-04
 Suitable for wet locations
 Refer to website for dimmer compatibility
 Ideal operating temperature: -20° to 40° C
 5-year warranty

Finish

○ **WH** White

Accessories

RTJB4-ACC

4" recessed can mounting kit for RTJB4-XX - clips and E26 socket

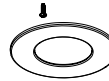
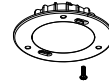
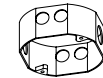
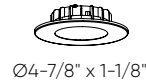
RTJB4-TRIM-BK

4" recessed panel trim in black

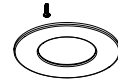
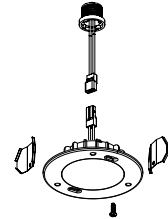
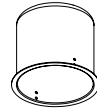
Note

Other color temperatures, finishes, and voltage options are available but may require minimum order quantities (MOQs) and longer lead times. Please contact your DALs representative for more information.

RTJB4-XX

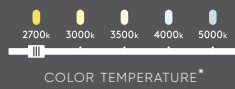


RTJB4-XX + RTJB4-ACC



Alter series

Our LED retrofit panels provide the perfect solution for your renovations. There's no need to completely change your current lighting, simply use these innovative products and retrofit your existing installation. The change will be illuminating.



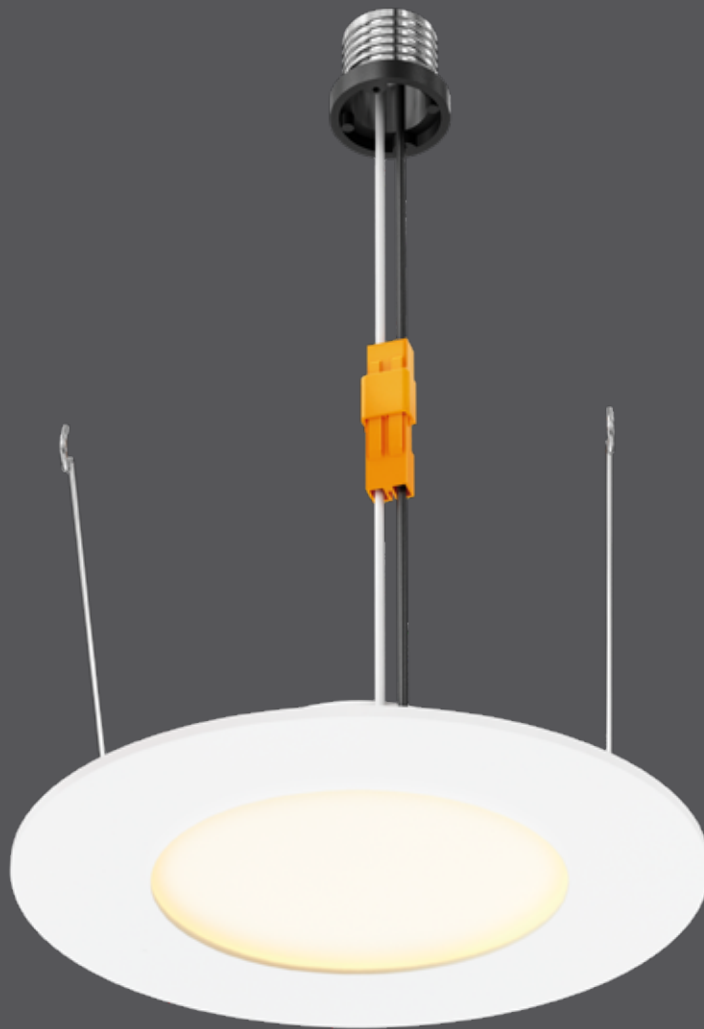
DRY



RETROFIT

JA8

CERTIFIED



Model	Size	Watts	Delivered lumens	CRI	Color °T	Voltage
LEDPNLRTF56-CC	6"	10 W	720 lm	90	2700, 3000, 3500, 4000, 5000 K	120 V

Specifications

120V AC, A19 bulb replacement
 Fits into 5-1/2" to 6" recessed housings
 Integrated dimmable driver
 Switch-selectable CCT: 2700 K/3000 K/
 3500 K/4000 K/5000 K
 Aluminum trim and housing
 Over 35,000 hours of service life
 Minimal heat emission
 Frosted lens
 Edge-lit technology
 Very low profile
 Aluminum heatsink and thermal protection
 Suitable for dry locations
 Refer to website for dimmer compatibility
 Ideal operating temperature:
 -20° to 40° C
 5-year warranty

Finish

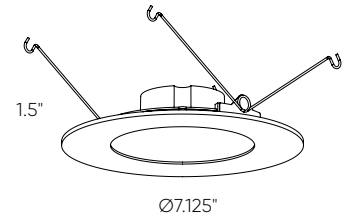
○ **WH** White

Note


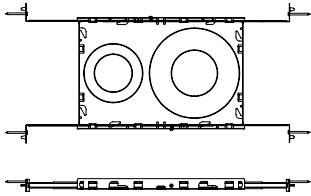
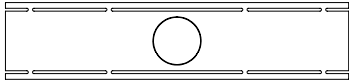
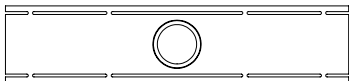
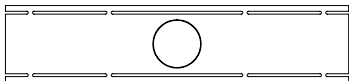
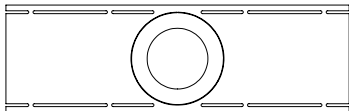
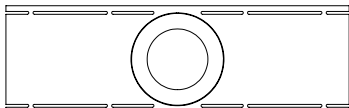
Other color temperatures, finishes, and voltage options are available but may require minimum order quantities (MOQs) and longer lead times. Please contact your DALI representative for more information.



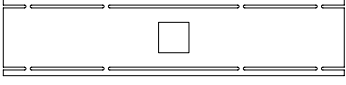
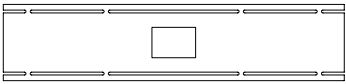
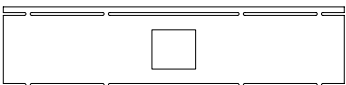
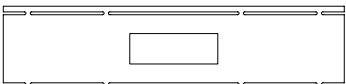
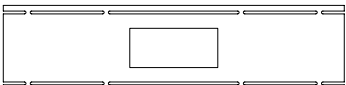
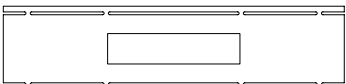
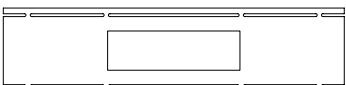
LEDPNLRTF56-CC




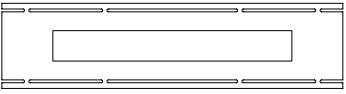
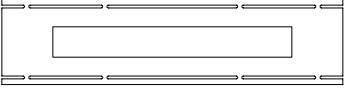
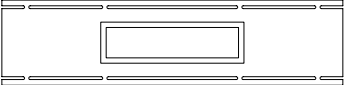
Accessories

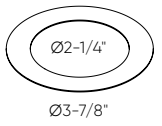
Model	Description		Specifications
RFP-UNI	Universal drilling plate 	$\varnothing 2 \frac{3}{4}$ " $\varnothing 3 \frac{3}{8}$ " $\varnothing 4 \frac{1}{4}$ " $\varnothing 6 \frac{1}{2}$ "	Expandable with on-center spacing up to 24" Plates serve as template for cutting precise product openings (Please refer to product cut size) Adds extra support and allows for easy and quick installation Galvanized steel finish
RFP-GMB2	Drilling plate for GMB2-CC recessed fixture 	$\varnothing 2\text{-}1/4$ "	Plates serve as template for cutting precise product openings (Please refer to product cut size) Adds extra support and allows for easy and quick installation Galvanized steel finish
RFP-23	Drilling plate for 2 and 3" fixtures 	$\varnothing 2\text{-}3/4$ " $\varnothing 3\text{-}3/8$ "	Plates serve as template for cutting precise product openings (Please refer to product cut size) Adds extra support and allows for easy and quick installation Galvanized steel finish
RFP-35	Drilling plate for 3.5" fixtures 	$\varnothing 3\text{-}1/2$ "	Plates serve as template for cutting precise product openings (Please refer to product cut size) Adds extra support and allows for easy and quick installation Galvanized steel finish
RFP-46	Drilling plate for 4 and 6" fixtures 	$\varnothing 4\text{-}1/4$ " $\varnothing 6\text{-}1/2$ "	Plates serve as template for cutting precise product openings (Please refer to product cut size) Adds extra support and allows for easy and quick installation Galvanized steel finish
RFP-58	Drilling plate for 5 and 8" fixtures 	$\varnothing 5\text{-}3/8$ " $\varnothing 7\text{-}1/2$ "	Plates serve as template for cutting precise product openings (Please refer to product cut size) Adds extra support and allows for easy and quick installation Galvanized steel finish




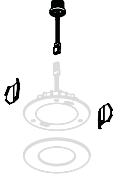






Model	Description		Specifications
RFP-MSL1	Drilling plate for MSL1 recessed fixture 	1-9/16" x 1-9/16"	Plates serve as template for cutting precise product openings (Please refer to product cut size) Adds extra support and allows for easy and quick installation Galvanized steel finish
RFP-MSL2	Drilling plate for MSL2 recessed fixture 	1-9/16" x 2-5/8"	Plates serve as template for cutting precise product openings (Please refer to product cut size) Adds extra support and allows for easy and quick installation Galvanized steel finish
RFP-MSL4	Drilling plate for MSL4 recessed fixture 	2-3/4" x 2-3/4"	Plates serve as template for cutting precise product openings (Please refer to product cut size) Adds extra support and allows for easy and quick installation Galvanized steel finish
RFP-MSL5	Drilling plate for MSL5 recessed fixture 	5-1/2" x 1-5/8"	Plates serve as template for cutting precise product openings (Please refer to product cut size) Adds extra support and allows for easy and quick installation Galvanized steel finish
RFP-MSL5G	Drilling plate for MSL5G recessed fixture 	6-3/8" x 2-3/4"	Plates serve as template for cutting precise product openings (Please refer to product cut size) Adds extra support and allows for easy and quick installation Galvanized steel finish
RFP-MSL10	Drilling plate for MSL10 recessed fixture 	10-3/4" x 1-5/8"	Plates serve as template for cutting precise product openings (Please refer to product cut size) Adds extra support and allows for easy and quick installation Galvanized steel finish
RFP-MSL10G	Drilling plate for MSL10G recessed fixture 	11-1/2" x 2-3/4"	Plates serve as template for cutting precise product openings (Please refer to product cut size) Adds extra support and allows for easy and quick installation Galvanized steel finish

Accessories

Model	Description		Specifications
RFP-LNR24	Drilling plate for LNR24-CC, LNR24-CC-V, DCP-LNR24 recessed linears 	2-1/8" x 23-3/8"	Plates serve as template for cutting precise product openings (Please refer to product cut size) Adds extra support and allows for easy and quick installation Galvanized steel finish
RFP-LNR48	Drilling plate for LNR48-CC, LNR48-CC-V, DCP-LNR48 recessed linears 	2-1/8" x 47-3/8"	Plates serve as template for cutting precise product openings (Please refer to product cut size) Adds extra support and allows for easy and quick installation Galvanized steel finish
RFP-DUO	Drilling plate for FGM4-CC-DUO and GBR35-CC-DUO recessed fixtures 	7-1/8" x 3-1/2" 8-5/8" X 4-3/4"	Plates serve as template for cutting precise product openings (Please refer to product cut size) Adds extra support and allows for easy and quick installation Galvanized steel finish

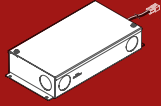
Model		Finish	Specification
GMB2-GOOF	 Ø2-1/4" Ø3-7/8"	White	Goof ring for GMB2 recessed lights Allows 2" fixtures to fit in a hole with a maximum diameter of 4-3/4"
REC-GOOF2	 Ø2-3/4" Ø3-7/8"	White	Goof ring for 2" recessed lights Allows 2" fixtures to fit in a hole with a maximum diameter of 4-1/4"
LEDDOWNACC-GOOF3	 Ø3-3/8" Ø5-1/4"	White	Goof ring for 3" recessed lights Allows 3" fixtures to fit in a hole with a maximum diameter of 4-3/4"
LEDDOWNACC-GOOF4	 Ø4-3/8" Ø6-1/2"	White Black	Goof ring for 4" recessed lights Allows 4" fixtures to fit in a hole with a maximum diameter of 6"
LEDDOWNACC-GOOF6	 Ø6-1/2" Ø8-1/2"	White	Goof ring for 6" recessed lights Allows 6" fixtures to fit in a hole with a maximum diameter of 8"

Model		Finish	Specification
REC-PT4-BK REC-PT4-GD REC-PT4-SN		Black Gold Satin Nickel	4" recessed panel trim Compatible products: SM-PNL4
REC-TRIM4-BK REC-TRIM4-GD REC-TRIM4-SN REC-TRIM6-BK REC-TRIM6-GD REC-TRIM6-SN		Black Gold Satin Nickel	4" and 6" panel trims Compatible products: 2004-CC, 2006 5004-CC, 5004-DW, 5006-CC
RTJB4-TRIM-BK		Black	4" recessed panel trim Compatible products: RTJB4-3K, RTJB4-CC
RTJB4-ACC		-	4" recessed can mounting kit for RTJB4-XX - clips and E26 socket
DDP4-TRIM-BK DDP6-TRIM-BK		Black	4" and 6" regressed panel trims Compatible products: DDP4-CC, DCP-DDP4, DDP6-CC, DCP-DDP6
DRR4-TRIM-BK DRR4-TRIM-SBA DRR6-TRIM-BK DRR6-TRIM-SBA		Black Sandblasted aluminum	4" and 6" regressed panel trims Compatible products: DRR4-CC, DRR6-CC
2000-EXT8FT 2000-EXT20FT REC-3K-EXT8FT REC-3K-EXT20FT		White	8-foot extension cord for 2-pin recessed fixtures 20-foot extension cord for 2-pin recessed fixtures Male/female connector for quick-connect installation. Connect together for a total length of up to 40 feet
5000-EXT8FT 5000-EXT20FT GPN-CC-EXT8FT GPN-CC-EXT20FT GSP-CC-EXT8FT GSP-CC-EXT20FT REC-CC-EXT8FT REC-CC-EXT20FT		White	8-foot extension cord for 3-pin recessed fixtures 20-foot extension cord for 3-pin recessed fixtures Male/female connector for quick-connect installation. Connect together for a total length of up to 40 feet

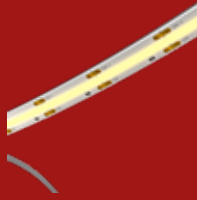


ACCENT





90
INSTALLATION
GUIDE



92
COB-TAPE
COBTP1M/ COBTP3M/
COBTP5M/ COBTP-REEL



94
LINU
LINU12
LINU04



96
SWIVLED12-CC



98
POWERLED LINEAR
6009CC/ 6012CC/
6024CC/ 6036CC/
6048CC



100
PROLED LINEAR
HLF09/ HLF12/ HLF18/
HLF24/ HLF30



102
COUNTERLED LINEAR
9009CC/ 9012CC/
9018CC /9024CC/
9030CC



104
SUPER-PUCK RECESSED
4001-CC



106
DUO-PUCK
4005-CC
K4005-CC



108
ULTRA-SLIM PUCK
4006



110
POWERLED PUCK
6001-CC



112
MINI-PUCK
LEDRDM1



114
ECO-PUCK
LEDRDP18



386
SMART TAPE
SM-TAP3M
SM-TAP5M



116
LED DIMMABLE
DRIVERS



118
SLIDE
DD1260



122
ACCESSORIES



Proper Sizing, Spacing and Lighting Techniques

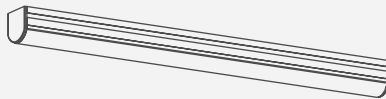
As its name suggests, under cabinet lighting refers to lights that are installed under a cabinet, resulting in illumination of the area immediately below a section of cabinets. It is most commonly used in kitchen areas, where additional lighting is useful for food preparation.

Types of under cabinet lighting



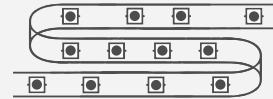
Puck lights

Pucks are the most versatile products as they can be installed in any application. Most of our pucks can be either surface-mounted or recessed into cabinetry, ensuring a flush surface appearance. Our pucks are designed to provide smooth and uniform light output.



Linears

Linears are ideal for efficient and uniform solutions. All our linears are designed for surface mounting, and many of them can pivot to focus on features such as the backsplash. Most linears come in various sizes, allowing them to be combined to cover the length of most surfaces.



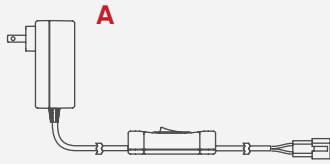
Tape lights

Tape lights are flexible rolls of LEDs with adhesive backs, suitable for virtually any application, extending beyond under-cabinet lighting. Tape lights have a super low profile and are easy to install.

How many do I need?

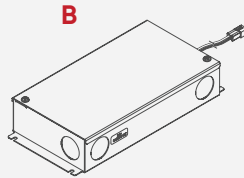
If you are installing pucks, we recommend spacing them approximately 24 inches apart. For linears, you can either seamlessly install them from end to end or leave a gap equivalent to the size of the product.

Power source



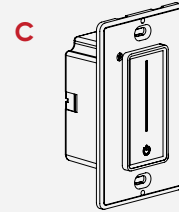
Low-voltage (12V)

Low-voltage systems consist of two components: the light fixture and the driver. Typically, a single driver is employed to power multiple products. The advantages of low-voltage systems include the ability to create sleeker light fixtures with fewer required components. Additionally, the wiring from the driver to the fixtures is low-voltage, resulting in thinner and less restrictive wiring.



Direct wire (120V)

120V direct means that no other components are required to power the product. Either the LED's are 120V direct or a driver is integrated in each product. The advantage of a 120V product is the ease of installation.



Dimmer/driver switch (12V)

Replace your 12V driver with an integrated driver/dimmer to control the brightness of your low-voltage lights. Simply connect this unit to your 120V input current to regulate your low-voltage lighting.

Choosing the right driver

We offer a wide range of plug-in **(A)**, direct wire **(B)**, and dimmer/driver switches **(C)**. To select the correct driver, simply add up the wattage from all your lights and choose a driver with a higher wattage that suits your specific needs.

Connections

Direct wire

Direct wire systems are typically installed by electrical contractors, it means that the power feed is connected directly inside the product or driver, without any plugs therefore no exposed wires. Direct wire installations must be enclosed in a connection box with a minimal volume for a safe connection. All of our direct wire products have the connection box built in to them with convenient knock-outs to discretely pass the wiring.

Plug-in

Plug-in options are really easy to install as they plug directly into an electrical outlet.

Dimmer/driver switch

Dimmer/driver switch systems, two-in-one integrated units often installed by qualified electricians, seamlessly replace your standard wall switch and transformer simultaneously. This involves connecting the power feed directly inside the switch, eliminating the need for plugs and exposed wires.

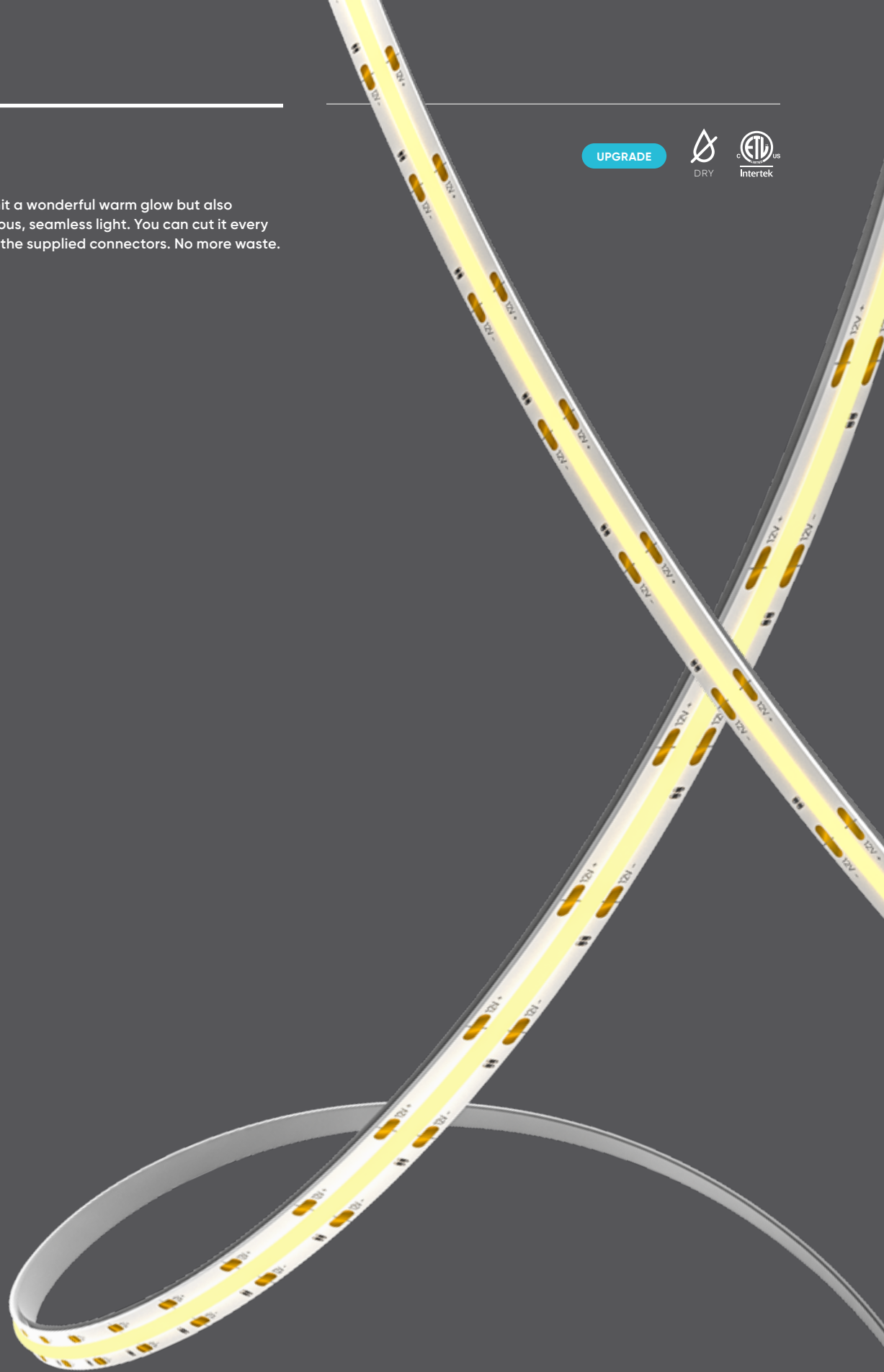


For optimal dimming try to use up at least 50% of the driver's capacity. For example, if all products come up to 10 watts, you would be much better off with a 12W driver than a 24W driver.

COB-tape

This tape will not only emit a wonderful warm glow but also provide you with continuous, seamless light. You can cut it every inch and reattach it with the supplied connectors. No more waste.

UPGRADE



Model	Size	Watts	Delivered lumens	CRI	Color °T	Voltage
COBTP1M	1m (39")	12 W	550 lm	90	3000 K	12 V
COBTP3M	3m (118")	24 W	1500 lm			
COBTP5M	5m (196")	48 W	2250 lm			
COBTP-REEL*	20m (65')	8 W /meter	500 lm /meter			
COBTP-REEL-4K*	20m (65')	8 W /meter	500 lm /meter		4000 K	

*20m COB reels do not include a 12V driver. Plug-in or hard-wired power supply required for installation. Sold separately.

Specifications

12V DC LED plug-in driver included (1m=12w / 3m=24w / 5m=48w)
 Excellent color rendering
 Seamless light emission (360 LEDs/meter)
 Warm white light output
 Superior LED performance and lifespan
 Over 50,000 hours of service life
 Can be cut at every cut mark (every 2cm)
 Maximum run length of 5m (196") in a series
 Dimmable with DALI dimming power supply and most low-voltage electronic dimmers
 Refer to website for dimmer compatibility
 5-year warranty

Power supplies: plug-in

ETR-LED10WPI
 12V DC/10W class 2 LED driver
ETR-LED24WPI
 12V DC/24W class 2 LED driver

Power supplies: hard-wired

DD1260
 LED driver and dimmer in one unit
BT06DIM-IC
 6W dimmable LED hardwire driver
BT12DIM-IC
 12W dimmable LED hardwire driver
BT24DIM-IC
 24W dimmable LED hardwire driver
BT36DIM
 36W dimmable LED hardwire driver
BT48DIM
 48W dimmable LED hardwire driver

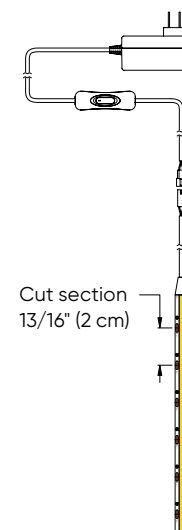
Accessories

COBTP-ALXT-BK
 1 meter black aluminum extrusion with black lens
COBTP-ALXT-WH
 1 meter white aluminum extrusion with white lens
COBTP-ALXT-L5M-BK
 5 meter black lens for extrusions
COBTP-ALXT-L5M-WH
 5 meter white lens for extrusions
COBTP-EXT02
 2" extension with reconnect connectors
COBTP-EXT24
 24" extension with reconnect connectors
COBTP-EXT60
 60" extension with reconnect connectors
COBTP-CC06
 Connection cord for hard-wired driver installation



COBTP1M	1 x 1m
COBTP3M	1 x 3m
COBTP5M	1 x 5m
COBTP-REEL*	1 x 20m (65')

* Driver not included



Linu

Our ultra-slim linear can be seamlessly connected together creating a long, break-free light emission.



Model	Size	Watts	Delivered lumens	CRI	Color °T	Voltage
LINU12	12"	4.3 W	400 lm	90	3000 K	12 V
LINU04	4"	1.4 W	160 lm			

Specifications

Over 50,000 hours of service life
 12" (30.5 cm) power cord included (model LINU12 only)
 Smooth linear wide spread
 Minimal heat emission
 No UV light emission
 Seamlessly interconnectable (No light breaks)
 Multiple fixtures can be linked together (Up to 6x LINU12 in series)
 Refer to website for dimmer compatibility
 5-year warranty

Finish

● **SBA** Sandblasted aluminum

Note

Plug-in or hard-wired power supply required for installation. Sold separately.

Other color temperatures, finishes, and voltage options are available but may require minimum order quantities (MOQs) and longer lead times. Please contact your DALI representative for more information.

Power supplies: plug-in

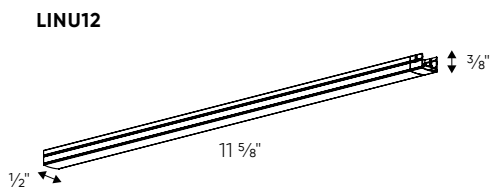
ETR-LED10WPI
 12V DC/10W class 2 LED driver
ETR-LED24WPI
 12V DC/24W class 2 LED driver

Power supplies: hard-wired

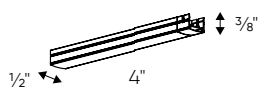
DD1260
 LED driver and dimmer in one unit
BT06DIM-IC
 6W dimmable LED hardwire driver
BT12DIM-IC
 12W dimmable LED hardwire driver
BT24DIM-IC
 24W dimmable LED hardwire driver
BT36DIM
 36W dimmable LED hardwire driver
BT48DIM
 48W dimmable LED hardwire driver

Accessories

LINU04
 4" ultra-slim LED strip
LINU12-ACC-CROSS
 Illuminated cross-shaped connector
LINU12-ACC-L-LEFT
 Illuminated L-shaped connector
LINU12-ACC-L-RIGHT
 Illuminated L-shaped connector
LINU12-ACC-T-LEFT
 Illuminated T-shaped connector
LINU12-ACC-T-MIDDLE
 Illuminated T-shaped connector
LINU12-ACC-T-RIGHT
 Illuminated T-shaped connector
LINU12-EXT24
 24" extension cord
LINU12-EXT108
 108" extension cord



LINU04



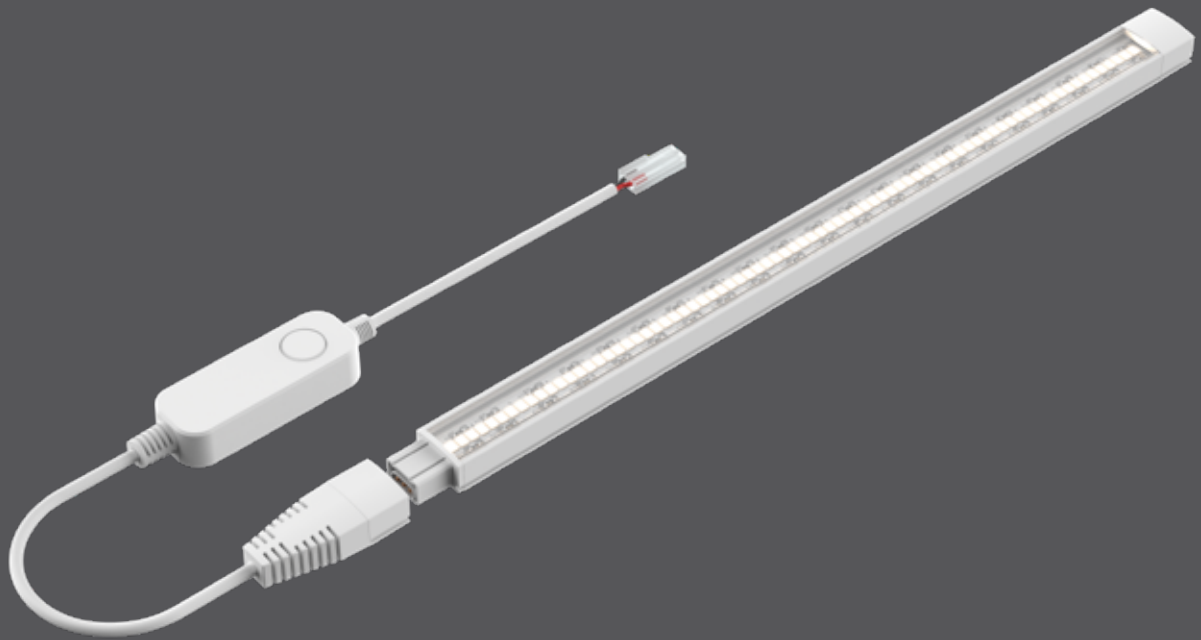
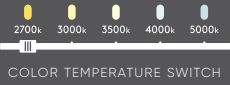
SwivLED

A 5CCT ultra-slim LED strip can be fixed or directional. Both types of brackets are included, the choice is yours.

UPGRADE



DRY



Model	Size	Watts	Delivered lumens	CRI	Color °T	Voltage
SWIVLED12-CC	12.5"	3 W	300 lm	80	2700 K/ 3000 K/ 3500 K/ 4000 K/ 5000 K	12 V

Specifications

Over 50,000 hours of service life
 10" (25 cm) power cord with CCT switch included
 Smooth linear wide spread
 Minimal heat emission
 Switch-selectable CCT: 2700 K/3000 K/3500 K/4000 K/5000 K
 Multiple fixtures can be linked together (Up to 8x SWIVLED in series)
 Refer to website for dimmer compatibility
 5-year warranty

Note

Plug-in or hard-wired power supply required for installation. Sold separately.

Other color temperatures, finishes, and voltage options are available but may require minimum order quantities (MOQs) and longer lead times. Please contact your DALI representative for more information.

Power supplies: plug-in

ETR-LED10WPI
 12V DC/10W class 2 LED driver
ETR-LED24WPI
 12V DC/24W class 2 LED driver

Power supplies: hard-wired

DD1260
 LED driver and dimmer in one unit
BT06DIM-IC
 6W dimmable LED hardwire driver
BT12DIM-IC
 12W dimmable LED hardwire driver
BT24DIM-IC
 24W dimmable LED hardwire driver
BT36DIM
 36W dimmable LED hardwire driver
BT48DIM
 48W dimmable LED hardwire driver

Accessories

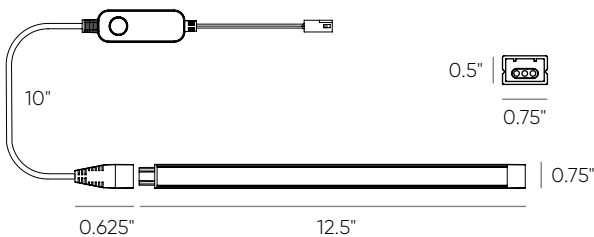
SWIVLEDCC-EXT10
 10" extension cord
SWIVLEDCC-EXT36
 36" extension cord
SWIVLEDCC-EXT60
 60" interconnection harness
SWIVLEDACC-45VCLIP
 45 degree mounting brackets
SWIVLED-CC10-OUTPUT
 10" extension cord with male/female connectors

Finish

WH White

SWIVLED12-CC

*Add 12.5" for each additional unit



PowerLED linear

Long runs and flexibility are the primary features of our smooth PowerLED linears. A sleek, driverless connection ensures smooth and continuous light in every application.



COLOR TEMPERATURE SWITCH



Model	Size	Watts	Delivered lumens	CRI	Color °T	Voltage
6009CC	9"	3 W	250 lm	80	2700 K/ 3000 K/ 3500 K/ 4000 K/ 5000 K	120 V
6012CC	12"	4 W	330 lm			
6024CC	24"	8 W	675 lm			
6036CC	36"	12 W	1080 lm			
6048CC	48"	16 W	1300 lm			

Specifications

Switch-selectable CCT: 2700 K/3000 K/
3500 K/4000 K/5000 K
Over 50,000 hours of service life
Dimmable with regular low-voltage
electronic dimmers
Smooth linear wide spread
Minimal heat emission
Robust construction
Multiple fixtures can be linked together
(up to 200W)
Refer to website for dimmer compatibility
5-year warranty

Accessories

6000-ACCE06
6' extension cord
6000-ACCE24
24" extension cord
6000-ACCE60
60" extension cord
6000-ACCLR
Kit of left and right L connectors
6000-ACCPC
6' power cord
6000-JB
Junction box

Finish

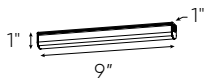
● **SBA** Sandblasted aluminum

Note

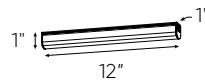
Junction box model 6000-JB or power
cord model 6000-ACCPC are required for
installation. Sold separately.

Other color temperatures, finishes, and
voltage options are available but may
require minimum order quantities (MOQs)
and longer lead times. Please contact your
DALs representative for more information.

6009CC



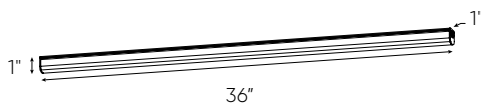
6012CC



6024CC



6036CC



6048CC



ProLED linear

Everyone loves simplicity. That is exactly what you get when ordering this linear design. All accessories are included, and the ease of installation make it the right choice for your project.



Model	Size	Watts	Delivered lumens	CRI	Color °T	Voltage
HLF09-3K	9"	3 W	200 lm	90	3000 K	120 V
HLF12-3K	12"	4 W	380 lm			
HLF18-3K	18"	8 W	675 lm			
HLF24-3K	24"	12 W	900 lm			
HLF30-3K	30"	16 W	1100 lm			

Specifications

120 V direct connection or plug-in
 Dimmable with regular low-voltage electronic dimmers
 Over 50,000 hours of service life
 Interconnectable
 Robust construction

Finish

WH White

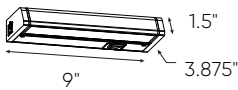
Accessories

9000-ACCE24
 24" extension cord
9000-ACCE72
 72" extension cord

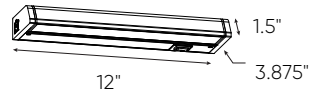
Note

Other color temperatures, finishes, and voltage options are available but may require minimum order quantities (MOQs) and longer lead times. Please contact your DALI representative for more information.

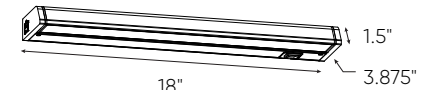
HLF09



HLF12



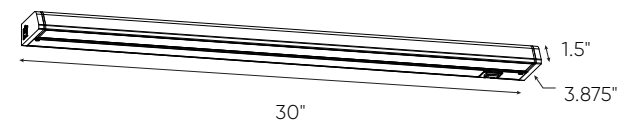
HLF18



HLF24

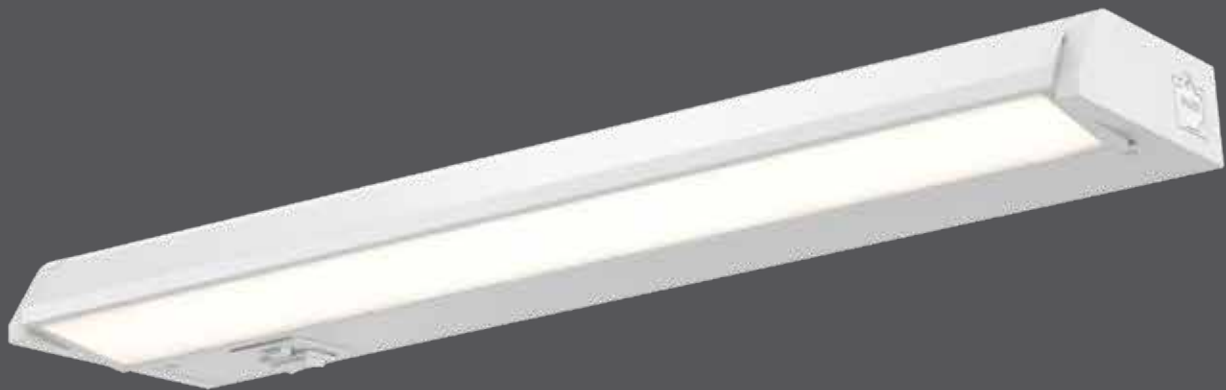


HLF30



CounterLED linear

When designing a linear, we always want our customers to have flexibility at their fingertips. This has become a reality with our CCT linear, as the toggle switch gives you the ability to choose between three color temperatures.



*Model 9009CC is plug-in only and comes with three selectable CCTs: 2700K, 3000K, 4000K

Model	Size	Watts	Delivered lumens	CRI	Color °T	Voltage
9009CC-WH*	9"	3.5 W	200 lm	90	2700 K/ 3000 K/ 4000 K	120 V
9012CC-WH	12"	4 W	335 lm		2700 K/ 3000 K/ 3500 K/ 4000 K/ 5000 K	
9018CC-WH	18"	8 W	560 lm			
9024CC-WH	24"	12 W	850 lm			
9030CC-WH	30"	16 W	1115 lm			

Specifications

Adjustable light source
 Switch-selectable CCT
 120 V direct connection or plug-in*
 Dimmable with regular low-voltage electronic dimmers
 Over 50,000 hours of service life
 Interconnectable
 Robust construction
 Refer to website for dimmer compatibility
 5-year warranty

Finish

○ **WH** White

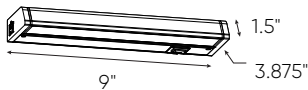
Note

Other color temperatures, finishes, and voltage options are available but may require minimum order quantities (MOQs) and longer lead times. Please contact your DALI representative for more information.

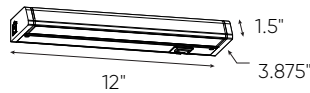
Accessories

9000-ACCE24
 24" extension cord
9000-ACCE72
 72" extension cord

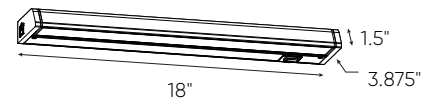
9009CC-WH



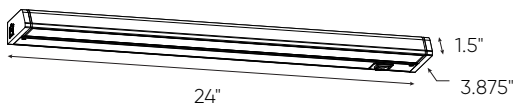
9012CC-WH



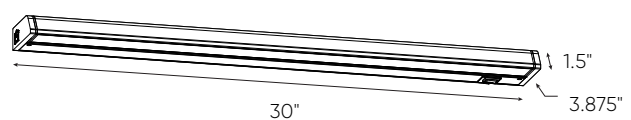
9018CC-WH



9024CC-WH



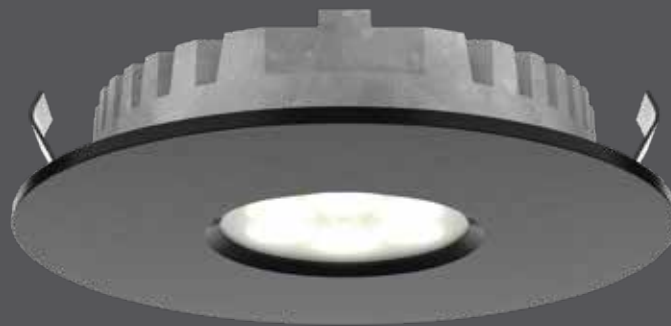
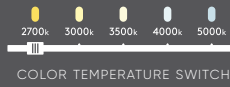
9030CC-WH



Super-puck recessed

Enjoy energy-saving white light in a variety of attractive finishes. These LED pucks are well suited to accent and task lighting under cabinets and in other areas.

UPGRADE



Model	Size	Watts	Delivered lumens	CRI	Color °T	Voltage
4001-CC	Ø2.625"	3 W	150 lm	90	2700, 3000, 3500, 4000, 5000 K	12 V

Specifications

12V DC LED driver required
 Over 50,000 hours of service life
 12" input lead with quick connector
 24" interconnection harness included
 Switch-selectable CCT: 2700 K/3000 K/
 3500 K/4000 K/5000 K
 Superior LED performance and lifespan
 Smooth 360° wide spread
 Minimal heat emission
 Heat sink and thermal protection
 Steel and aluminum construction
 Frosted glass lens
 Refer to website for dimmer compatibility
 5-year warranty

Note:

Plug-in or hard-wired power supply required for installation. Sold separately.
 Other color temperatures, finishes, and voltage options are available but may require minimum order quantities (MOQs) and longer lead times. Please contact your DALI representative for more information.

Finish

- **BK** Black
- **GD** Gold
- **SN** Satin Nickel
- **WH** White

Power supplies: plug-in

- ETR-LED10WPI**
12V DC/10W class 2 LED driver
- ETR-LED24WPI**
12V DC/24W class 2 LED driver

Power supplies: hard-wired

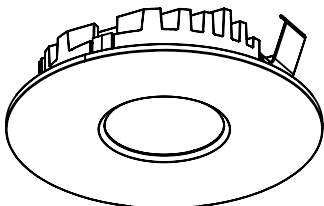
- DD1260**
LED driver and dimmer in one unit
- BT06DIM-IC**
6W dimmable LED hardwire driver
- BT12DIM-IC**
12W dimmable LED hardwire driver
- BT24DIM-IC**
24W dimmable LED hardwire driver
- BT36DIM**
36W dimmable LED hardwire driver
- BT48DIM**
48W dimmable LED hardwire driver

Accessories

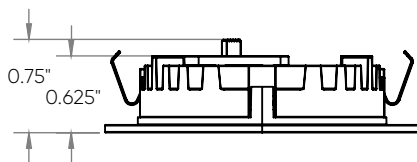
- 4000-E24**
24" extension cord
- 4000-E60**
60" extension cord
- 4000HRNS-24**
24" interconnection harness

4001-CC

Ø2.375"



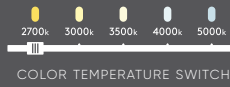
Ø2.625"



Duo-puck

These robust LED pucks, equipped with a frosted lens, deliver highly efficient punches of white light, making them well-suited for under-cabinet lighting and various other applications.

UPGRADE



COLOR TEMPERATURE SWITCH



DRY



Model	Size	Watts	Delivered lumens	CRI	Color °T	Voltage
4005-CC	Ø2.625"	2 W	138 lm	80	2700 K/ 3000 K/ 3500 K/ 4000 K/ 5000 K	12 V
K4005-CC	Ø2.625"	2 W*	138 lm*			

*Per fixture

Specifications

12V DC LED driver required
 Over 50,000 hours of service life
 12" input lead with quick connector
 24" interconnection harness included
 Can be recessed or surface mounted
 Switch-selectable CCT: 2700 K/3000 K/
 3500 K/4000 K/5000 K
 Excellent color rendering
 Superior LED performance and lifespan
 Smooth 360° wide spread
 Minimal heat emission
 Steel/aluminum construction
 Frosted glass lens
 Kits available
 Refer to website for dimmer compatibility
 5-year warranty

Note

Plug-in or hard-wired power supply required for installation. Sold separately.
 Other color temperatures, finishes, and voltage options are available but may require minimum order quantities (MOQs) and longer lead times. Please contact your DALI representative for more information.

Finish

- **BK** Black
- **SN** Satin Nickel
- **WH** White

Power supplies: plug-in

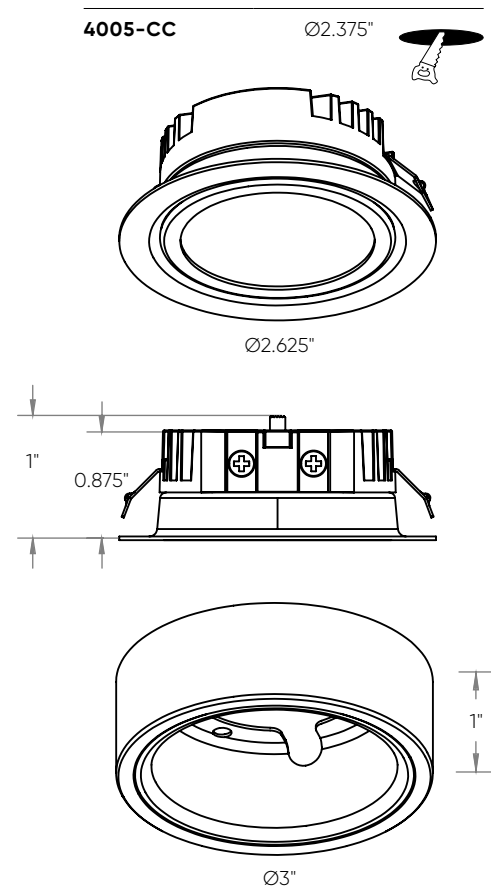
- ETR-LED10WPI**
12V DC/10W class 2 LED driver
- ETR-LED24WPI**
12V DC/24W class 2 LED driver

Power supplies: hard-wired

- DD1260**
LED driver and dimmer in one unit
- BT06DIM-IC**
6W dimmable LED hardwire driver
- BT12DIM-IC**
12W dimmable LED hardwire driver
- BT24DIM-IC**
24W dimmable LED hardwire driver
- BT36DIM**
36W dimmable LED hardwire driver
- BT48DIM**
48W dimmable LED hardwire driver

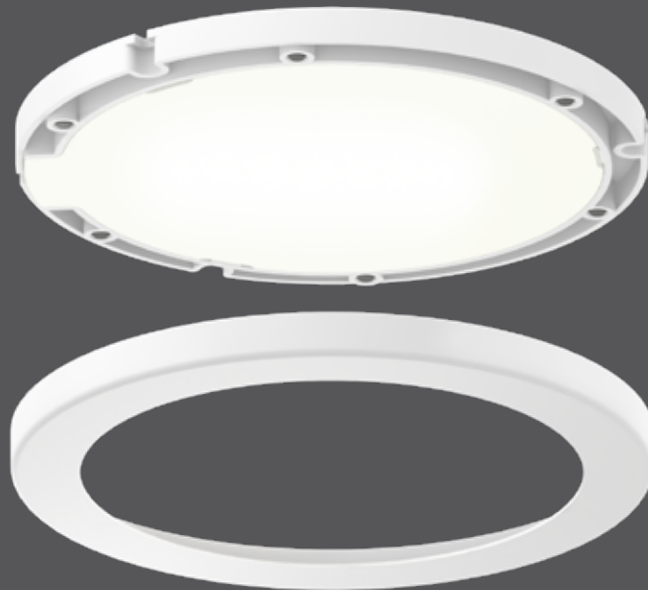
Accessories

- 4000-E24**
24" extension cord
- 4000-E60**
60" extension cord
- 4000HRNS-24**
24" interconnection harness



Ultra-slim puck

Thanks to its 1/4" profile, our 12V ultra-slim LED pucks can be integrated onto any surface. Available as a single unit or as a kit of 3. The choice is yours!



Model	Size	Watts	Delivered lumens	CRI	Color °T	Voltage
4006	Ø3.875"	3.6 W	250 lm	90	3000 K	12 V

Specifications

12V DC LED driver required (4006/4006SQ)
 Over 50,000 hours of service life
 12" input lead with quick connector
 24" interconnection harness included
 Warm white light output
 Superior LED performance and lifespan
 Smooth 360° wide spread
 Minimal heat emission
 Heat sink and thermal protection
 JA8 Certified
 Refer to website for dimmer compatibility
 5-year warranty

Note

Plug-in or hard-wired power supply required for installation when purchasing the single unit (4006). Sold separately.

Other color temperatures, finishes, and voltage options are available but may require minimum order quantities (MOQs) and longer lead times. Please contact your DALs representative for more information.

Power supplies: plug-in

ETR-LED10WPI
 12V DC/10W class 2 LED driver
ETR-LED24WPI
 12V DC/24W class 2 LED driver

Power supplies: hard-wired

DD1260
 LED driver and dimmer in one unit
BT06DIM-IC
 6W dimmable LED hardwire driver
BT12DIM-IC
 12W dimmable LED hardwire driver
BT24DIM-IC
 24W dimmable LED hardwire driver
BT36DIM
 36W dimmable LED hardwire driver
BT48DIM
 48W dimmable LED hardwire driver

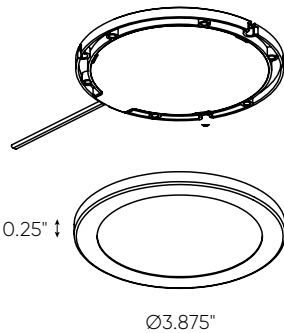
Finish

● **BK** Black
 ● **SN** Satin Nickel
 ○ **WH** White

Accessories

4000-E24
 24" extension cord
4000-E60
 60" extension cord
4000HRNS-24
 24" interconnection harness
4006-TRIM-BK
 Decorative trim in black
4006-TRIM-SN
 Decorative trim in satin nickel

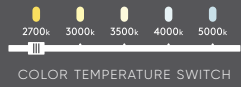
4006



PowerLED puck

Simplifying life for our customers is always a priority for us. With a direct 120V driverless connection, we have achieved our goal with our PowerLED pucks.

UPGRADE



Model	Size	Watts	Delivered lumens	CRI	Color °T	Voltage
6001-CC	Ø2.875"	4 W	235 lm	90	2700, 3000, 3500, 4000, 5000 K	120 V

Specifications

12" input and output lead with quick connector
 Can be hardwired to a junction box
 Can be interconnected
 Switch-selectable CCT: 2700 K/3000 K/3500 K/4000 K/5000 K
 Recessed or surface mounted installation
 Surface adapter included
 Superior LED performance and lifespan
 Smooth 360° wide spread
 Minimal heat emission
 Frosted lens
 Aluminum construction
 Refer to website for dimmer compatibility
 5-year warranty

Finish

- **SN** Satin Nickel
- **WH** White

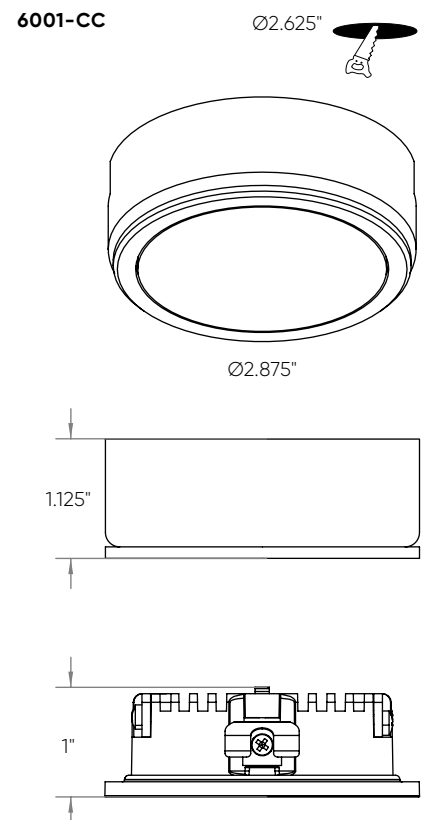
Accessories

- 6000-JB**
Junction box for 120 V series with one 12" extension cord
- 6001-PC**
72" power cord
- 6001-E24**
24" extension cord
- 6001-E60**
60" extension cord

Note

Junction box model 6000-JB or power cord model 6001-PC are required for installation. Sold separately.

 Other color temperatures, finishes, and voltage options are available but may require minimum order quantities (MOQs) and longer lead times. Please contact your DALs representative for more information.



Mini-puck

Enjoy complete flexibility with our mini LED pucks. Feel free to recess, surface mount, or direct-wire these directional pucks to achieve your desired lighting effect.

UPGRADE



Model	Size	Watts	Delivered lumens	CRI	Color °T	Voltage
LEDRDM1	Ø2"	1 W	80 lm	80	3000 K	12 V

Specifications

12V DC LED driver required
 Over 50,000 hours of service life
 12" input lead with quick connector
 24" interconnection harness included
 Warm white light output
 Excellent color rendering
 Superior LED performance and lifespan
 Smooth 360° wide spread
 Minimal heat emission
 Can be recessed or surface mounted
 Surface adapter included
 Frosted lens
 Aluminum construction
 Gimbal LED module
 Refer to website for dimmer compatibility
 5-year warranty
 Kits available

Finish

- **BK** Black
- **SBA** Sandblasted aluminum
- **WH** White

Power supplies: plug-in

ETR-LED10WPI
 12V DC/10W class 2 LED driver

ETR-LED24WPI
 12V DC/24W class 2 LED driver

Power supplies: hard-wired

DD1260
 LED driver and dimmer in one unit

BT06DIM-IC
 6W dimmable LED hardwire driver

BT12DIM-IC
 12W dimmable LED hardwire driver

BT24DIM-IC
 24W dimmable LED hardwire driver

BT36DIM
 36W dimmable LED hardwire driver

BT48DIM
 48W dimmable LED hardwire driver

Accessories

4000-E24
 24" extension cord

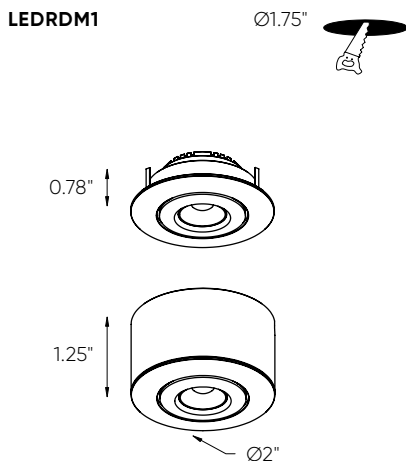
4000-E60
 60" extension cord

4000HRNS-24
 24" interconnection harness

Note

Plug-in or hard-wired power supply required for installation. Sold separately.

Other color temperatures, finishes, and voltage options are available but may require minimum order quantities (MOQs) and longer lead times. Please contact your DALs representative for more information.



Eco-puck

The sleek design of this LED puck makes it the ideal choice for cabinet and kitchen lighting applications. It can be dimmed to create just the right ambiance for your decor.



Model	Size	Watts	Delivered lumens	CRI	Color °T	Voltage
LEDRDP18	Ø2.75"	1.7 W	100 lm	80	3000 K	12 V

Specifications

12V DC LED driver required
 Over 50,000 hours of service life
 12" input lead with quick connector
 24" interconnection harness included
 Warm white light output
 Recessed or surface mounted installation
 Surface adapter included
 Superior LED performance and lifespan
 Smooth 360° wide spread
 Minimal heat emission
 Frosted lens
 Refer to website for dimmer compatibility
 5-year warranty

Note

Plug-in or hard-wired power supply required for installation. Sold separately.

Other color temperatures, finishes, and voltage options are available but may require minimum order quantities (MOQs) and longer lead times. Please contact your DALI representative for more information.

Power supplies: plug-in

ETR-LED10WPI
 12V DC/10W class 2 LED driver

ETR-LED24WPI
 12V DC/24W class 2 LED driver

Power supplies: hard-wired

DD1260
 LED driver and dimmer in one unit

BT06DIM-IC
 6W dimmable LED hardwire driver

BT12DIM-IC
 12W dimmable LED hardwire driver

BT24DIM-IC
 24W dimmable LED hardwire driver

BT36DIM
 36W dimmable LED hardwire driver

BT48DIM
 48W dimmable LED hardwire driver

Finish

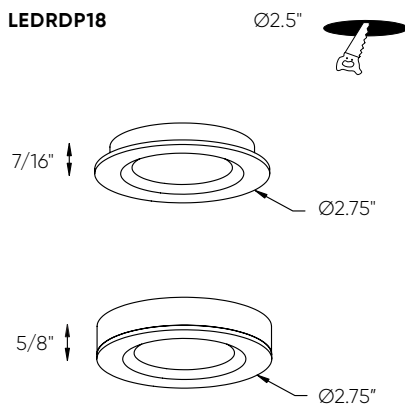
○ **WH** White

Accessories

4000-E24
 24" extension cord

4000-E60
 60" extension cord

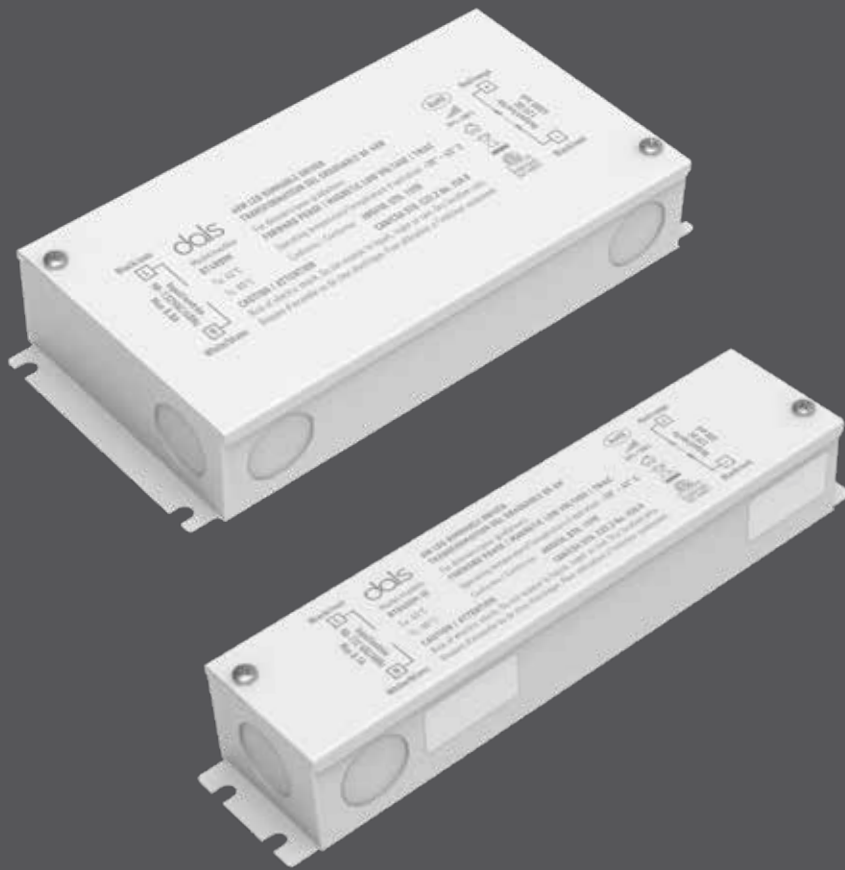
4000HRNS-24
 24" interconnection harness



LED dimmable drivers



Dimming is made easy with our LED Dimmable Driver series. These products will allow you to find just the right amount of light based on the time of day your lighting fixtures are being used.



Model

BT06DIM-IC

6 W dimmable LED hardwire driver

IC
RATED

BT12DIM-IC

12 W dimmable LED hardwire driver

IC
RATED

BT24DIM-IC

24 W dimmable LED hardwire driver

IC
RATED

BT36DIM

36 W dimmable LED hardwire driver

BT48DIM

48W dimmable LED hardwire driver

Specifications

Constant voltage mode power supply

AC-dimming supply
(with TRIAC or ELV dimmer)

Protection: short circuit / Over voltage

Integrated junction box for
hard-wire installation

Fully isolated metal case -
Cooling by air convection

ETL certification

Optimal dimming when used at 50%
or more of total load

Input voltage: 100VAC-230VAC, 50/60Hz

Output voltage: 12V DC

Load Range: 50% to 100%

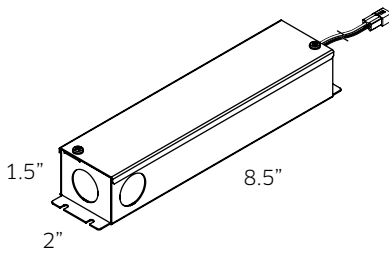
Operating temperature: -30°C to 45°C

5-year warranty

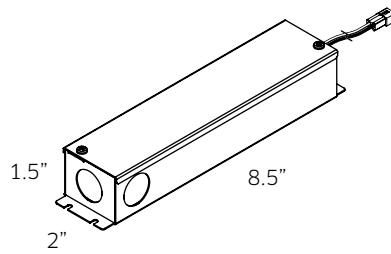
Finish

WH White

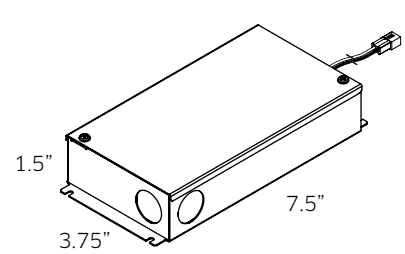
BT06DIM-IC



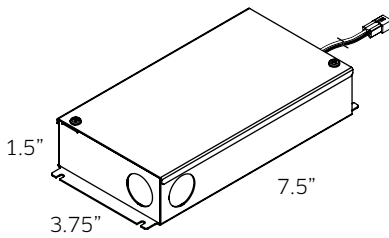
BT12DIM-IC



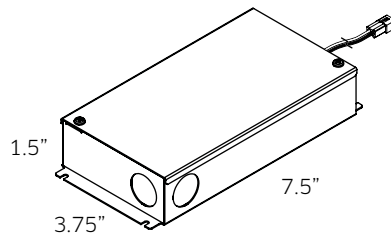
BT24DIM-IC



BT36DIM



BT48DIM



Slide



Replace your 12V driver with this 12V dimmer switch with an integrated driver to control the brightness of your low voltage lights. Connect this unit to your 120V input current, and all your lights will dim to a nice, soft glow.



Model	Size	Dimmer	Switch	Minimum load	Maximum load	Input voltage	Output voltage
DD1260	4-1/4"	✓	✓	5 W	60 W	120 VAC	12 VDC

Specifications

LED driver and dimmer in one unit
 Indoor use only
 Input: 120 VAC ~ 1.0 A, 60 Hz
 Dimming range: 100% - 10%
 Dimming type: TRIAC edge cut
 Fits in a standard electrical box
 Single pole
 Works with all dimmable 12V lights
 5-year warranty

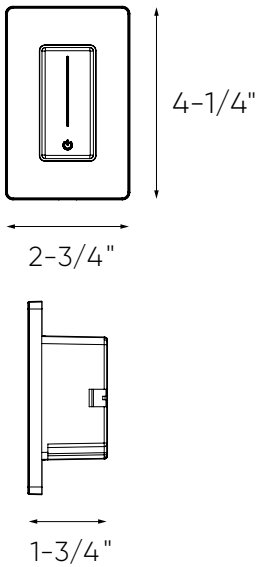
Finish

WH White

Note

Does not work with Dals smart lights.
 Requires a neutral wire. Works in a single-pole setup only.


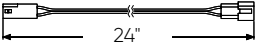



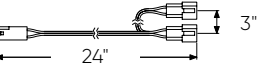

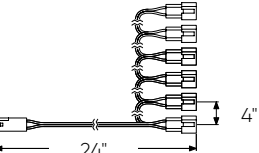

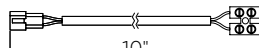

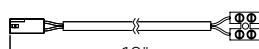
DD1260







Accessories

12V GENERAL ACCESSORIES				
Title		Model	Finish	Specification
LED Extension Accessory 		4000-E24	Black	<ul style="list-style-type: none"> • 24" extension cord for 12 V LED products • Quick-connect installation
LED Extension Accessory 		4000-E60	Black	<ul style="list-style-type: none"> • 60" extension cord for 12 V LED products • Quick-connect installation
LED Harness Accessory 		4000HRNS-24	Black	<ul style="list-style-type: none"> • 24" interconnection harness for 12 V LED products • Quick-connect installation
LED Harness Accessory 		LEDHRNS-6	Black	<ul style="list-style-type: none"> • 24" 6 direction interconnection harness for 12 V LED products • Quick-connect installation
LED Product Accessory 		LEDACC-SCTE-REC	Black	<ul style="list-style-type: none"> • 10" connection cord for 12 V LED products • One end with screw terminal and one end with DALS receptacle • Quick-connect installation
LED Product Accessory 		LEDACC-SCTE-PLUG	Black	<ul style="list-style-type: none"> • 10" connection cord for 12 V LED products • One end with screw terminal and one end with DALS plug • Quick-connect installation

LINU ACCESSORIES

Model

Specification

LINU-EXT24



- 24in. extension cord for LINU series
- Quick-connect installation

LINU-EXT108



- 108in. extension cord for LINU series
- Quick-connect installation

LINU12-ACC-CROSS



- X connector for LINU series
- Quick-connect installation

LINU12-ACC-L-LEFT



- Left L connector for LINU series
- Quick-connect installation

LINU12-ACC-L-RIGHT



- Right L connector for LINU series
- Quick-connect installation

LINU12-ACC-T-LEFT



- Left T connector for LINU series
- Quick-connect installation

LINU12-ACC-T-MIDDLE



- T connector for LINU series
- Quick-connect installation


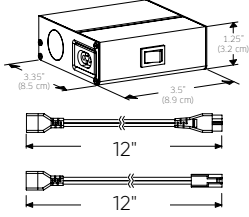

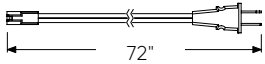

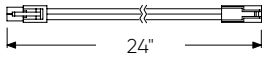

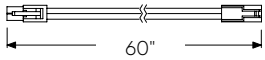
LINU12-ACC-T-RIGHT




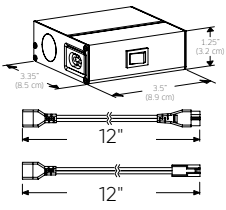

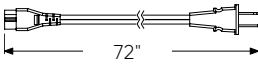

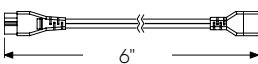

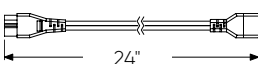

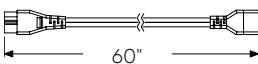

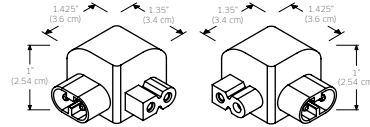

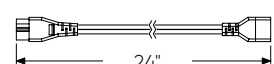

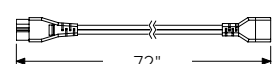
- Right T connector for LINU series
- Quick-connect installation

Accessories































120V POWERLED PUCK ACCESSORIES

Model		Compatibility	Finish	Specification
6000-JB 		6001	White	<ul style="list-style-type: none"> • Hardwire junction box for PowerLed pucks and linears series • Quick-connect installation • Allows hard-wired 120V setup
6001-PC 		6001	White	<ul style="list-style-type: none"> • 72" power cord for PowerLed pucks • On/off switch on cord • Quick-connect installation • Plug-in version
6001-E24 		6001	White	<ul style="list-style-type: none"> • 24" extension cord for PowerLed pucks series • One end with male connector and one end with female connector • Quick-connect installation
6001-E60 		6001	White	<ul style="list-style-type: none"> • 60" extension cord for PowerLed pucks series • One end with male connector and one end with female connector • Quick-connect installation


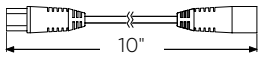

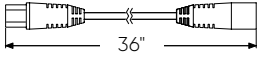

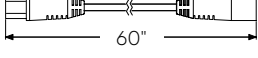



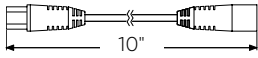
120V LINEAR ACCESSORIES

Model	Compatibility	Finish	Specification
6000-JB 		6009CC 6012CC 6024CC 6036CC 6048CC	White <ul style="list-style-type: none"> • Hardwire junction box for PowerLED pucks and linears series • Quick-connect installation • Allows hard-wired 120V setup
6000-ACCPC 		6009CC 6012CC 6024CC 6036CC 6048CC	White <ul style="list-style-type: none"> • 72" power cord for PowerLED linear series • On/off switch on cord • Quick-connect installation • Plug-in version
6000-ACCE06 		6009CC 6012CC 6024CC 6036CC 6048CC	White <ul style="list-style-type: none"> • 6" extension cord for PowerLED linear series • One end with male connector and one end with female connector • Quick-connect installation
6000-ACCE24 		6009CC 6012CC 6024CC 6036CC 6048CC	White <ul style="list-style-type: none"> • 24" extension cord for PowerLED linear series • One end with male connector and one end with female connector • Quick-connect installation
6000-ACCE60 		6009CC 6012CC 6024CC 6036CC 6048CC	White <ul style="list-style-type: none"> • 60" extension cord for PowerLED linear series • One end with male connector and one end with female connector • Quick-connect installation
6000-ACCLR 		6009CC 6012CC 6024CC 6036CC 6048CC	White <ul style="list-style-type: none"> • Kit of left and right L connectors
9000-ACCE24 		9009CC HLF09 9012CC HLF12 9018CC HLF18 9024CC HLF24 9030CC HLF30	White <ul style="list-style-type: none"> • 24" extension cord for 9000 and HLF linear series • One end with male connector and one end with female connector • Quick-connect installation
9000-ACCE72 		9009CC HLF09 9012CC HLF12 9018CC HLF18 9024CC HLF24 9030CC HLF30	White <ul style="list-style-type: none"> • 72" extension cord for 9000 and HLF linear series • One end with male connector and one end with female connector • Quick-connect installation



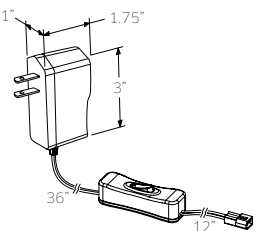


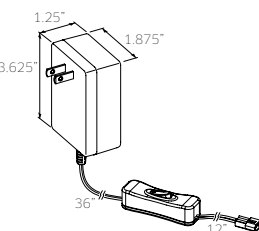
Accessories

COB-TAPE ACCESSORIES																												
		Model	Finish	Specifications																								
Extrusions 		COBTP-ALXT-BK	Black	<ul style="list-style-type: none"> • 1 meter black aluminum extrusion with black lens • 1 meter white aluminum extrusion with white lens 																								
		COBTP-ALXT-WH	White		Extrusions 		COBTP-ALXT-L5M-BK	Black	<ul style="list-style-type: none"> • 5 meter roll of black aluminum extrusion with black lens • 5 meter roll of white aluminum extrusion with white lens 	COBTP-ALXT-L5M-WH	White	COB-tape Extension Cord 		COBTP-CC06	White	<ul style="list-style-type: none"> • 6 in. connection cord for hard-wired driver installation for COB tape 	COB-tape Extension Cord 		COBTP-EXT02	White	<ul style="list-style-type: none"> • 2 in. extension cord with reconnect connectors for COB tape 	COB-tape Extension Cord 		COBTP-EXT24	White	<ul style="list-style-type: none"> • 24 in. extension cord with reconnect connectors for COB tape 	COB-tape Extension Cord 	
Extrusions 		COBTP-ALXT-L5M-BK	Black	<ul style="list-style-type: none"> • 5 meter roll of black aluminum extrusion with black lens • 5 meter roll of white aluminum extrusion with white lens 																								
		COBTP-ALXT-L5M-WH	White		COB-tape Extension Cord 		COBTP-CC06	White	<ul style="list-style-type: none"> • 6 in. connection cord for hard-wired driver installation for COB tape 	COB-tape Extension Cord 		COBTP-EXT02	White	<ul style="list-style-type: none"> • 2 in. extension cord with reconnect connectors for COB tape 	COB-tape Extension Cord 		COBTP-EXT24	White	<ul style="list-style-type: none"> • 24 in. extension cord with reconnect connectors for COB tape 	COB-tape Extension Cord 		COBTP-EXT60	White	<ul style="list-style-type: none"> • 60 in. extension cord with reconnect connectors for COB tape 				
COB-tape Extension Cord 		COBTP-CC06	White	<ul style="list-style-type: none"> • 6 in. connection cord for hard-wired driver installation for COB tape 																								
COB-tape Extension Cord 		COBTP-EXT02	White	<ul style="list-style-type: none"> • 2 in. extension cord with reconnect connectors for COB tape 																								
COB-tape Extension Cord 		COBTP-EXT24	White	<ul style="list-style-type: none"> • 24 in. extension cord with reconnect connectors for COB tape 																								
COB-tape Extension Cord 		COBTP-EXT60	White	<ul style="list-style-type: none"> • 60 in. extension cord with reconnect connectors for COB tape 																								

SWIVLED ACCESSORIES

		Model	Finish	Specifications
SwivLED Extension Cord 		SWIVLEDCC-EXT10	White	<ul style="list-style-type: none"> • 10" extension cord for SwivLED series • One end with male connector and one end with female connector • Can be connected together • Quick-connect installation
SwivLED Extension Cord 		SWIVLEDCC-EXT36	White	<ul style="list-style-type: none"> • 36" extension cord for SwivLED series strips • One end with male connector and one end with female connector • Can be connected together • Quick-connect installation
SwivLED Extension Cord 		SWIVLEDCC-EXT60	White	<ul style="list-style-type: none"> • 60" extension cord for SwivLED series strips • One end with male connector and one end with female connector • Can be connected together • Quick-connect installation
SwivLED Mounting brackets 		SWIVLEDACC-45VCLIP	Chrome	<ul style="list-style-type: none"> • 45 Degree Brackets for SwivLED Series
SwivLED Connection Accessory 		SWIVLED-CC10-OUTPUT	White	<ul style="list-style-type: none"> • 10" extension cord for SwivLED series • One end with male connector and one end with female connector • Can be connected together • Quick-connect installation

ELECTRONIC LOW-VOLTAGE TRANSFORMERS

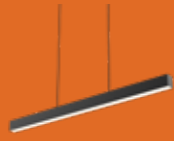
Model		Specifications
ETR-LED10WP1 Electronic Low-Voltage Transformer  		<ul style="list-style-type: none"> • On/off switch on cord • 48" (1.22 m) cord with practical "click-in" connector compatible with the complete LED low-voltage system • 120V AC to 12V DC LED plug-in driver • Class 2 • Maximum: 12W • Efficiency level VI compliant
ETR-LED24WP1 Electronic Low-Voltage Transformer  		<ul style="list-style-type: none"> • On/off switch on cord • 48" (1.22 m) cord with practical "click-in" connector compatible with the complete LED low-voltage system • 120V AC to 12V DC LED plug-in driver • Class 2 • Maximum: 24W • Efficiency level VI compliant



PYRA / P. 172

FORMS





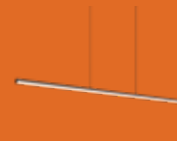
134
BOULEVARD PENDANT
LNPD48-CC



136
PINPOINT LINEAR
MSLPD48-CC



138
BEAM
SPD48-3K
SPD72-3K



142
CURRENT
SLPD60-CC



144
SWAY ONE
W1PD48-CC



146
SWAY THREE
W3PD36-CC



148
SPIN
BRPD40-CC



150
SPIN
BRPD18-CC



152
OLYMPIA FIVE
RRPD5-CC



154
OLYMPIA TWO
RRPD2-CC



156
HELIX
SPR20-CC
SPR34-CC



158
TWIST
TWPS-3K



160
TWIRL
TWPD-CC



162
ATOM PENDANT
FPD60-CC



164
ATOM ONE
FPD-CC



166
ATOM THREE
FPDC3-CC



168
CIRCA
RGPD24-CC



170
DROP
CFPD20-CC



172
PYRA
TRPD34-CC



176
ECLIPSE
PDR14-CC



178
ASTERISK
SSPD32-CC



180
STELLAR PENDANT
STRPD-3K



182
STELLAR FLOOR
STRFL-3K



186
CHANNEL PENDANT
PDLED120-
24/36 /48/60



188
CHANNEL CLUSTER
PDLED120-
5/5SQ/8/8SQ



190
NOVA
PDC18-CC



194
SPIN SCONCE
BRV24-CC
BRV36-CC



196
LIGHTNING
VDL40-CC



198
BOREALIS
VRB24-CC



200

ARIA
VSW24-CC
VSW36-CC



202

BALANCE
VCC24-CC
VCC36-CC



204

PORTRAIT
VLG24-CC
VLG36-CC



206

GEMINI
SWS24-CC
SWS36-CC
SWS60-CC



208

ARIES
STK21-CC
STK37-CC



210

NOBLE ONE
LEDVAN001-CC-18
LEDVAN001-CC-24



214

NOBLE TWO
LEDVAN002-CC-24
LEDVAN002-CC-36



216

LYRA
LEDVAN003-CC-24
LEDVAN003-CC-32



218

HOVER
CCFM-CC



220

ATOM
FDB-CC



222

NEWTON
FMT18-CC



224

SWAY FLUSH MOUNT
W3FM-CC



226

ASTERISK
FLUSH MOUNT
SSF20-CC



228

STELLAR
FLUSH MOUNT
STRFM-3K



230

PYRA
FLUSH MOUNT
TRFM22-CC



232

MISTY
FUZ11-CC



234

AURORA
CFH12-CC



236

ORA
CFG13-CC



238

FUSION
TLFM12-CC
TLFM21-CC



240

DELTA
CFLEDR06-CC
CFLEDR10-CC
CFLEDR14-CC/
CFLEDR18-CC



242

DELTA SQUARE
CFLEDSQ06-CC
CFLEDSQ10-CC
CFLEDSQ14-CC



244

RADIANCE
FMM09-CC
FMM12-CC



246

PRIME
FMP05-CC
FMP05M-CC
FMP09-CC
FMP12-CC



380

DELTA SMART
SM-FM08/14



250

MIDNIGHT
RWS24/48/60-CC



252

GEMINI
SWS48-CC



256

PROFILE
LWJ08/16/24-CC



258

PINPOINT WALL
MSLWALL-CC



260

ADEN
LEDWALL-A



262

BROOKLYN
LEDWALL-B



264
EDINBURGH
LEDWALL-E



266
GENEVA
LEDWALL-G-CC



268
HARLOW
LEDWALL-H



270
ALTO
SQS06/10/15



272
CUBIX
LEDWALL001D



274
RONDO
LEDWALL002D



276
ALTO STEP LIGHT
SQSTP-CC



278
ECHO
LEDSTEP002D-CC



280
PEARL
LEDSTEP004D-CC



282
CAMBER
LEDSTEP005D-CC



284
ASCEND
LSTP07-CC



Boulevard pendant

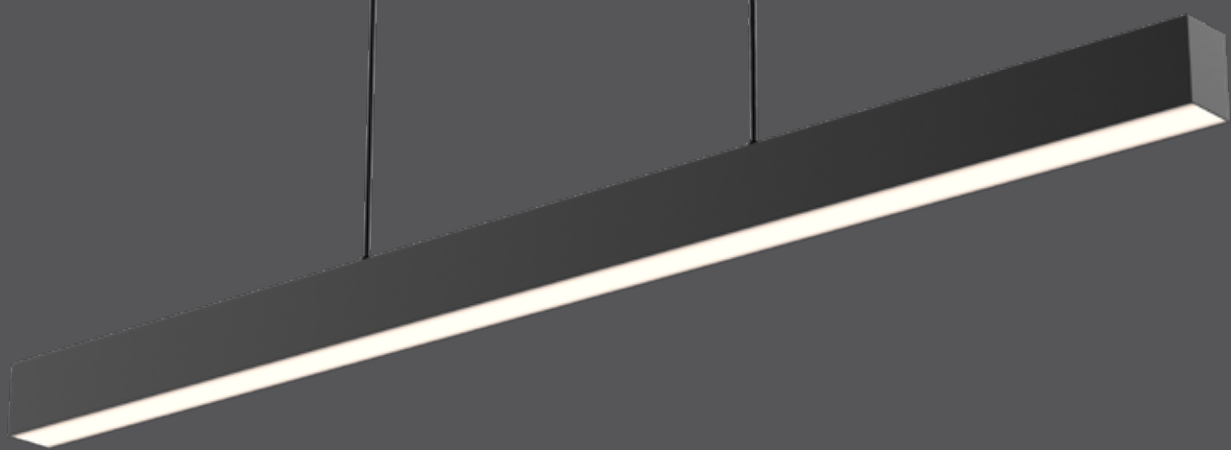
The Boulevard series, a linear modular light fixture perfect for general office, home, and shop illumination. Can be interconnected to produce striking visual effects.



DRY



JA8
CERTIFIED



Model	Size	Watts	Delivered lumens	CRI	Color °T	Standard voltage	Multi-voltage ⚡
LNPD48-CC	48"	40 W	2805 lm	90	2700, 3000, 3500, 4000, 5000 K	120V, Triac dimming	MV: 120 / 277 / 347V, 0-10V dimming

Specifications

Switch-selectable CCT: 2700 K / 3000 K / 3500 K / 4000 K / 5000 K

Unique 20% up / 80% down light output
120VAC / 60Hz input

Over 50,000 hours of service life

Adjustable height up to 10 feet

Aluminum housing which serves as a highly efficient heat sink

Multiple fixtures can be connected together

Integrated dimmable driver

Canopy mount on 4" octagonal junction box

Dimming ranges from 10% to 100%.

Refer to website for dimmer compatibility

5-year warranty

Finish

● **BK** Black

○ **WH** White

Accessories

LNACC-L16FT

16-foot lens for Boulevard series pendants and recessed linears

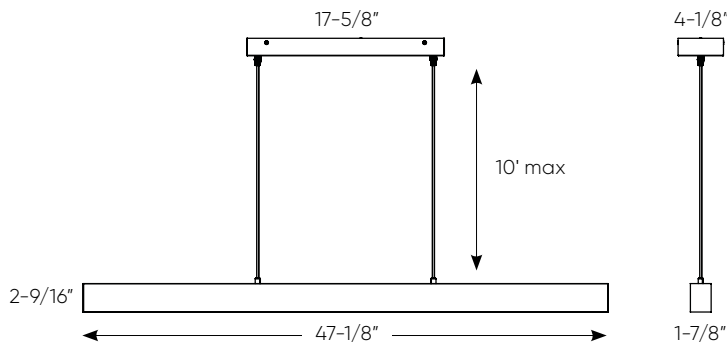
Multi-voltage ⚡

This product family offers multi-voltage drivers (120/277/347) that are dimmable using 0-10V dimming systems. Please note that longer lead times may apply for this option. Kindly reach out to your DALI representative for additional information and to confirm availability.

Note

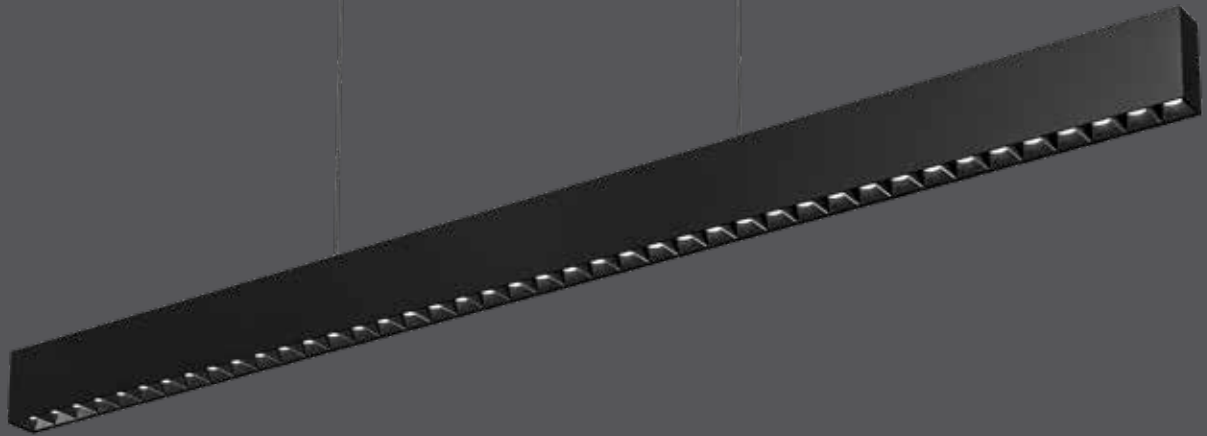
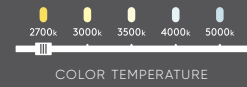
Other color temperatures, finishes, and voltage options are available but may require minimum order quantities (MOQs) and longer lead times. Please contact your DALI representative for more information.

LNPD48-CC



Pinpoint linear

Providing a contemporary and functional style to any space, the MSL pendant and its glossy piano-black reflector is the ideal choice for dining rooms, conference rooms as well as playrooms.



Model	Size	Watts	Delivered lumens	CRI	Color °T	Voltage
MSLPD48-CC	48"	40 W	2710 lm	90	2700, 3000, 3500, 4000, 5000 K	120 V

Specifications

Over 50,000 hours of service life
 Adjustable height up to 6 feet
 Aluminum housing which serves as a highly efficient heat sink
 Switch-selectable CCT: 2700 K/3000 K/3500 K/4000 K/5000 K
 30° beam angle
 Integrated dimmable driver
 Suitable for dry locations
 Canopy mount on 4" octagon junction box
 Refer to website for dimmer compatibility
 5-year warranty

Finish

● **BK** Black

Accessories

MSLPD-ACC-I
 Bracket for connecting two MSLPD48 fixtures in an "I" pattern

MSLPD-ACC-L
 Bracket for connecting two MSLPD48 fixtures in an "L" pattern

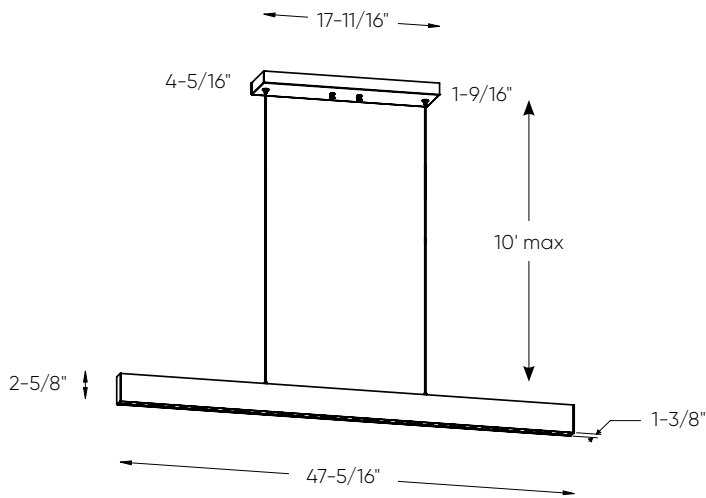
MSLPD-ACC-T
 Bracket for connecting three MSLPD48 fixtures in a "T" pattern

MSLPD-ACC-X
 Bracket for connecting four MSLPD48 fixtures in an "X" pattern

Note

Other color temperatures, finishes, and voltage options are available but may require minimum order quantities (MOQs) and longer lead times. Please contact your DALI representative for more information..

MSLPD48-CC



Beam

This sleek design truly utilizes the best features of LED technology. We are now able to create a unique form factor that will project the perfect amount of light.



Model	Size	Watts	Delivered lumens	CRI	Color °T	Voltage
SPD48-3K	48"	32 W	1810 lm	90	3000 K	120, 277 V
SPD72-3K	72"	55 W	2800 lm			

Specifications

Over 50,000 hours of service life
 Adjustable cable length up to 10 feet
 Warm white light output
 Frosted lens
 Aluminum die-cast housing which serves as a highly efficient heat sink
 Superior color consistency
 Integrated dimmable driver
 Compatible with TRIAC, ELV and 0-10 V dimmers
 Suitable for dry locations
 Refer to website for dimmer compatibility
 5-year warranty

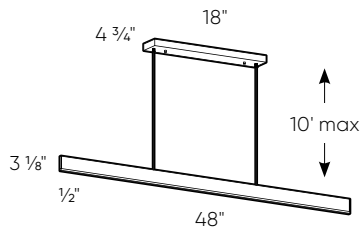
Finish

- **BK** Black
- **WH** White

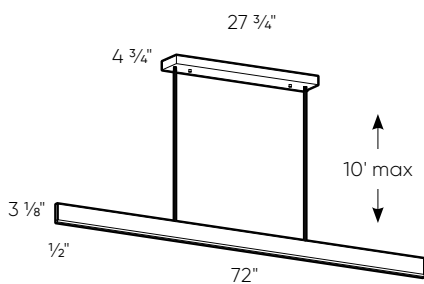
Note

Other color temperatures, finishes, and voltage options are available but may require minimum order quantities (MOQs) and longer lead times. Please contact your DALI representative for more information.

SPD48-3K



SPD72-3K





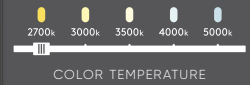
BEAM / P. 138



Current

Elevate your space with this sleek luminary, meticulously crafted to blend seamlessly into contemporary interiors. Its minimalist profile, characterized by a slender silhouette and unobtrusive design, not only illuminates your surroundings with a soft and uniform glow but also serves as a striking aesthetic statement.

NEW



Model	Size	Watts	Delivered lumens	CRI	Color °T	Voltage
SLPD60-CC	60"	32 W	2140 lm	80	2700, 3000, 3500, 4000, 5000 K	120 V

Specifications

Over 50,000 hours of service life
 Adjustable height up to 10 feet
 Switch-selectable CCT: 2700 K/3000 K/
 3500 K/4000 K/5000 K
 Integrated dimmable driver
 Suitable for damp locations
 Canopy mount on 4" octagon
 junction box
 Refer to website for dimmer compatibility
 5-year warranty

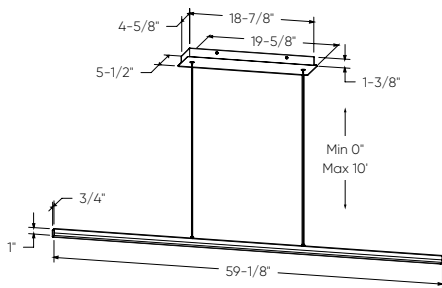
Finish

- **BK** Black
- **GD** Gold
- **WH** White

Note

Other color temperatures, finishes, and voltage options are available but may require minimum order quantities (MOQs) and longer lead times. Please contact your DALI representative for more information.

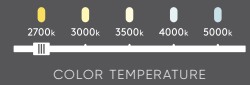
SLPD60-CC



Sway

Introducing our cutting-edge ultra-slim, curved linear LED pendant light—a beacon of sophistication and modernity in the world of lighting design.

NEW



Model	Size	Watts	Delivered lumens	CRI	Color °T	Voltage
W1PD48-CC	48"	24 W	1330 lm	80	2700, 3000, 3500, 4000, 5000 K	120 V

Specifications

Over 50,000 hours of service life
 Adjustable height up to 10 feet
 Switch-selectable CCT: 2700 K/3000 K/
 3500 K/4000 K/5000 K
 Integrated dimmable driver
 Suitable for dry locations
 Canopy mount on 4" octagon
 junction box
 Refer to website for dimmer compatibility
 5-year warranty

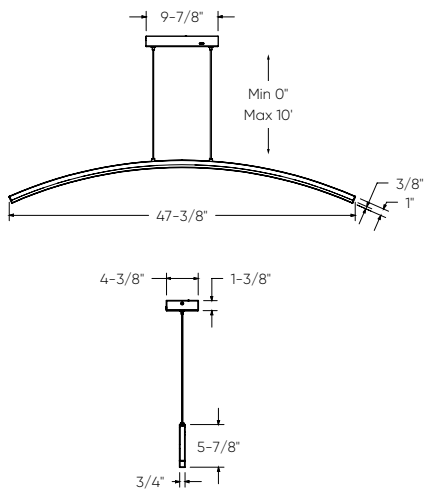
Finish

- **BK** Black
- **GD** Gold

Note

Other color temperatures, finishes, and voltage options are available but may require minimum order quantities (MOQs) and longer lead times. Please contact your DALI representative for more information.

W1PD48-CC

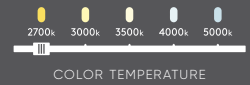


Sway

Designed for versatility, this three-branch ultra-slim linear pendant is ideal for both residential and commercial spaces, effortlessly infusing any room with an ambiance of refined elegance.



NEW



Model	Size	Watts	Delivered lumens	CRI	Color °T	Voltage
W3PD36-CC	36"	31 W	1590 lm	80	2700, 3000, 3500, 4000, 5000 K	120 V

Specifications

Over 50,000 hours of service life
 Adjustable height up to 10 feet
 Switch-selectable CCT: 2700 K/3000 K/
 3500 K/4000 K/5000 K
 Integrated dimmable driver
 Suitable for dry locations
 Canopy mount on 4" octagon
 junction box
 Refer to website for dimmer compatibility
 5-year warranty

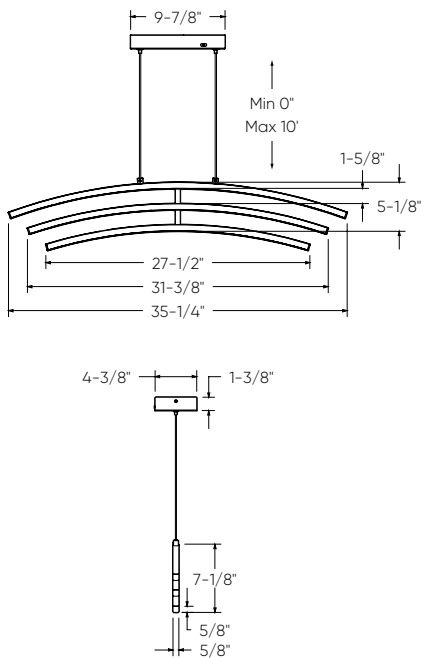
Finish

- **BK** Black
- **GD** Gold

Note

Other color temperatures, finishes, and voltage options are available but may require minimum order quantities (MOQs) and longer lead times. Please contact your DALs representative for more information.

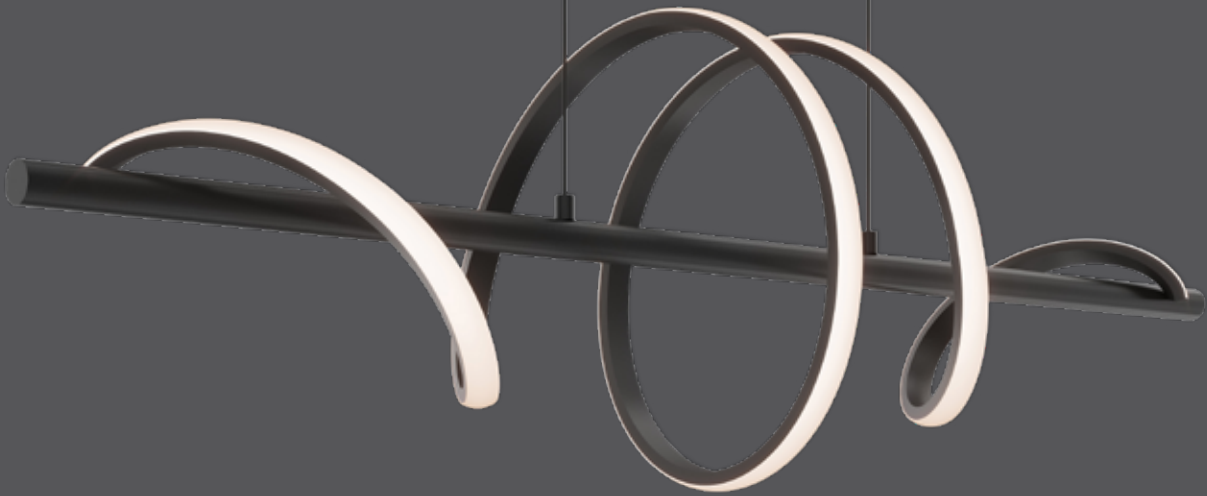
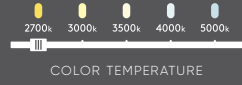
W3PD36-CC



Spin

Illuminate your environment with style, efficiency, and a touch of architectural brilliance with our Spin LED pendant light.

NEW



Model	Size	Watts	Delivered lumens	CRI	Color °T	Voltage
BRPD40-CC	40"	41 W	2410 lm	80	2700, 3000, 3500, 4000, 5000 K	120 V

Specifications

Over 50,000 hours of service life
 Adjustable height up to 10 feet
 Switch-selectable CCT: 2700 K/3000 K/
 3500 K/4000 K/5000 K
 Integrated dimmable driver
 Suitable for dry locations
 Canopy mount on 4" octagon
 junction box
 Refer to website for dimmer compatibility
 5-year warranty

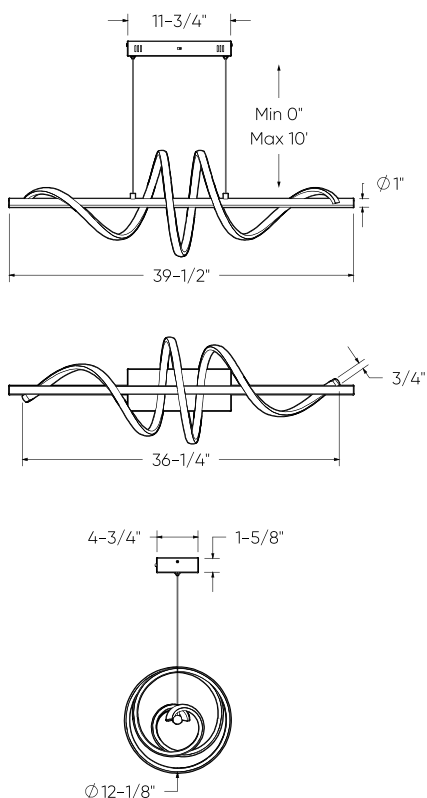
Finish

● BK Black

Note

Other color temperatures, finishes, and voltage options are available but may require minimum order quantities (MOQs) and longer lead times. Please contact your DALI representative for more information.

BRPD40-CC

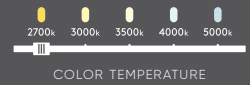


Spin

Illuminate your space with style, efficiency, and a touch of architectural brilliance with our 18" Spin LED pendant light, the perfect complement to its larger counterpart.



NEW



Model	Size	Watts	Delivered lumens	CRI	Color °T	Voltage
BRPD18-CC	18"	11 W	630 lm	80	2700, 3000, 3500, 4000, 5000 K	120 V

Specifications

Over 50,000 hours of service life
 Adjustable height up to 10 feet
 Switch-selectable CCT: 2700 K/3000 K/
 3500 K/4000 K/5000 K
 Integrated dimmable driver
 Suitable for dry locations
 Canopy mount on 4" octagon
 junction box
 Refer to website for dimmer compatibility
 5-year warranty

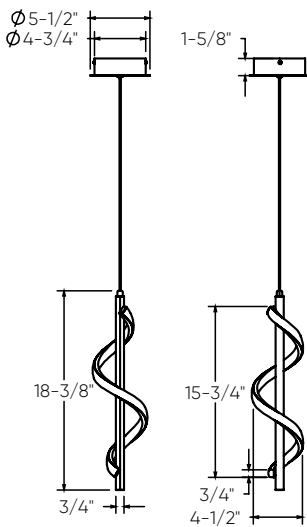
Finish

● **BK** Black

Note

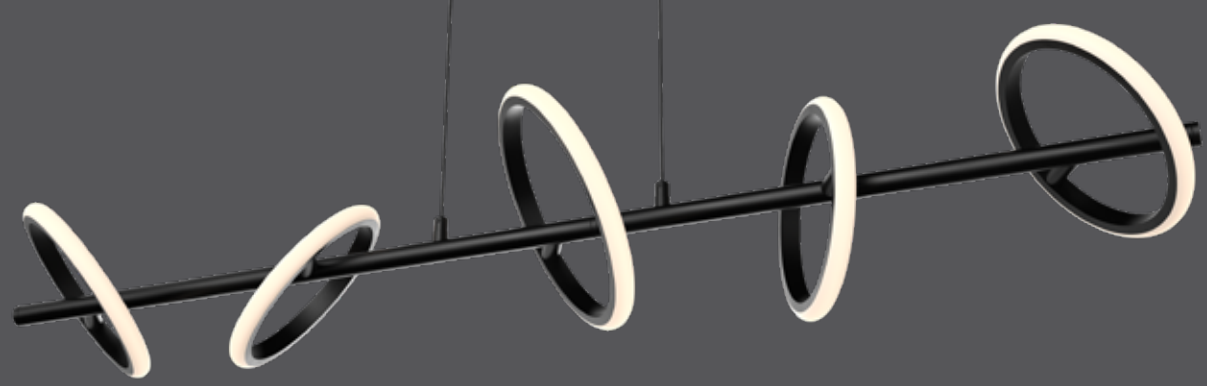
Other color temperatures, finishes, and voltage options are available but may require minimum order quantities (MOQs) and longer lead times. Please contact your DALs representative for more information.

BRPD18-CC



Olympia five

A statement lamp with a lot of character. With its 5 adjustable rings, this linear pendant emits a bright light that makes it perfect for use as a primary light source over a kitchen counter, dining table, or even in a bar setting.



Model	Size	Watts	Delivered lumens	CRI	Color °T	Voltage
RRPD5-CC	42"	30 W	1530 lm	80	2700, 3000, 3500, 4000, 5000 K	120 V

Specifications

Over 50,000 hours of service life
 Adjustable height up to 6 feet
 Switch-selectable CCT: 2700 K/3000 K/
 3500 K/4000 K/5000 K
 Integrated dimmable driver
 Suitable for dry locations
 Canopy mount on 4" octagon
 junction box
 Refer to website for dimmer compatibility
 5-year warranty

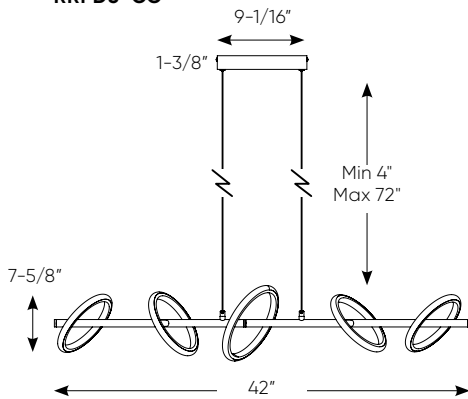
Finish

● **BK** Black

Note

Other color temperatures, finishes, and voltage options are available but may require minimum order quantities (MOQs) and longer lead times. Please contact your DALI representative for more information.

RRPD5-CC



Olympia two

This 2-ring pendant can be personalized by adjusting the position of each ring, the perfect way for those of us who appreciate simplicity to add our touch to a space. All that's left to do is decide which bar, kitchen island, bedside table it will go best with.



DRY



Model	Size	Watts	Delivered lumens	CRI	Color °T	Voltage
RRPD2-CC	14"	12 W	750 lm	80	2700, 3000, 3500, 4000, 5000 K	120 V

Specifications

Over 50,000 hours of service life
 Adjustable height up to 6 feet
 Switch-selectable CCT: 2700 K/3000 K/
 3500 K/4000 K/5000 K
 Integrated dimmable driver
 Suitable for dry locations
 Canopy mount on 4" octagon
 junction box
 Refer to website for dimmer compatibility
 5-year warranty

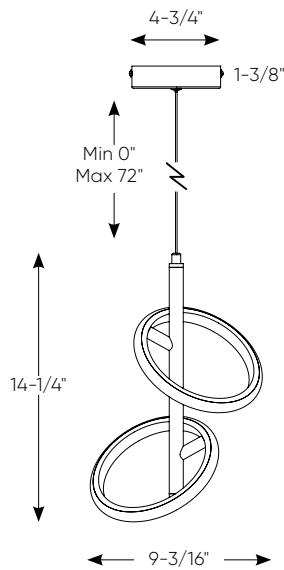
Finish

● BK Black

Note

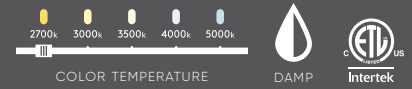
Other color temperatures, finishes, and voltage options are available but may require minimum order quantities (MOQs) and longer lead times. Please contact your DALI representative for more information.

RRPD2-CC



Helix

A classic shape with a contemporary design. Helix is perfect for adding stature and prestige to any space. Its gentle spirals instantly enhance areas of the bedroom, kitchen islands, offices, and reading nooks.



Model	Size	Watts	Delivered lumens	CRI	Color °T	Voltage
SPR20-CC	20"	30 W	1060 lm	80	2700, 3000, 3500,	120 V
SPR34-CC	34"	60 W	2370 lm		4000, 5000 K	

Specifications

Over 50,000 hours of service life
 Adjustable height up to 10 feet
 Switch-selectable CCT: 2700 K/3000 K/
 3500 K/4000 K/5000 K
 Frosted lens
 Integrated dimmable driver
 Suitable for damp locations
 Canopy mount on 4" octagonal
 junction box
 Refer to website for dimmer compatibility
 5-year warranty

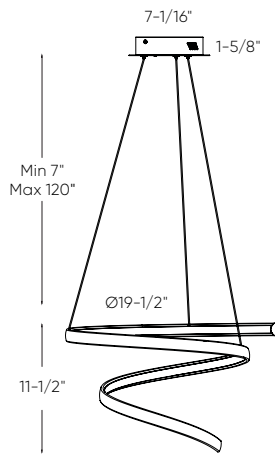
Finish

● BK Black

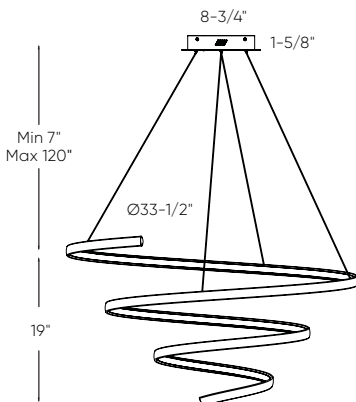
Note

Other color temperatures, finishes, and voltage options are available but may require minimum order quantities (MOQs) and longer lead times. Please contact your DALI representative for more information.

SPR20-CC

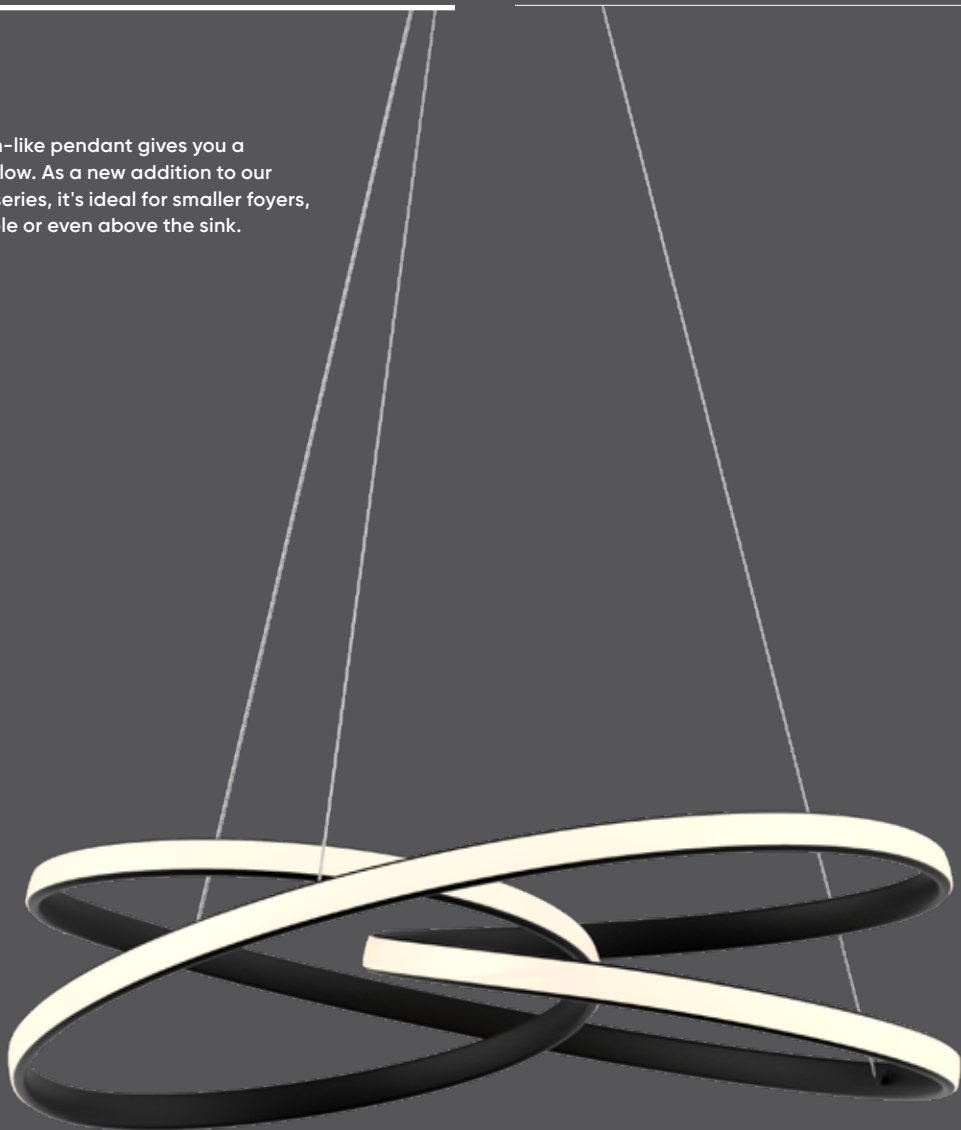


SPR34-CC



Twist

This smaller ribbon-like pendant gives you a continuous warm glow. As a new addition to our popular pendant series, it's ideal for smaller foyers, over a console table or even above the sink.



Model	Size	Watts	Delivered lumens	CRI	Color °T	Voltage
TWPS	20.5"	30 W	1800 lm	85	3000 K	120 V

Specifications

Over 50,000 hours of service life
 Adjustable height up to 10 feet
 Frosted lens
 Integrated dimmable driver
 Suitable for dry locations
 Canopy mount on 4" octagon junction box
 Refer to website for dimmer compatibility
 5-year warranty

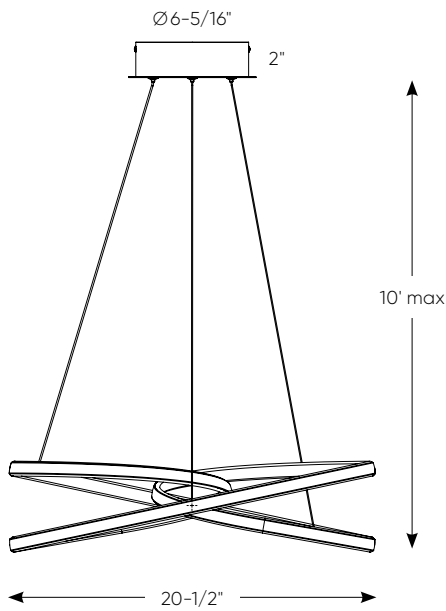
Finish

● BK Black

Note

Other color temperatures, finishes, and voltage options are available but may require minimum order quantities (MOQs) and longer lead times. Please contact your DALs representative for more information.

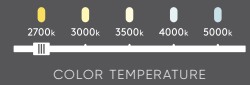
TWPS



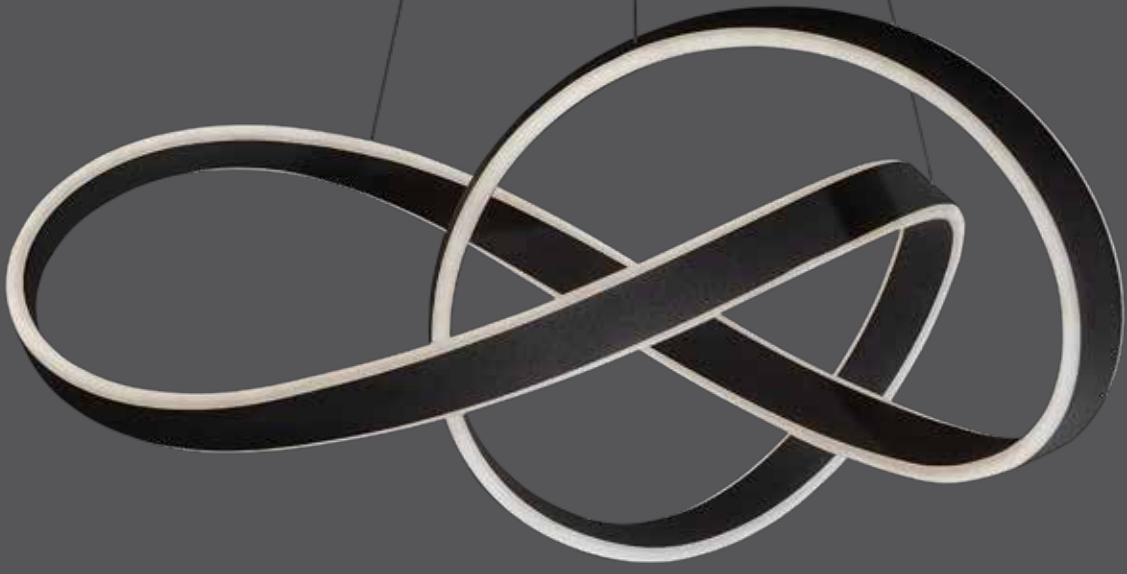
Twirl

This ribbon-like pendant gives you a continuous warm white flow. It will definitely be a beautiful focal point to any room.

UPGRADE



DRY



Model	Size	Watts	Delivered lumens	CRI	Color °T	Voltage
TWPD-CC	28"	80 W	3960 lm	80	2700, 3000, 3500, 4000, 5000 K	120 V

Specifications

Over 50,000 hours of service life
 Adjustable height up to 4 feet
 Aluminum housing which serves as a highly efficient heat sink
 Frosted lens
 Integrated dimmable driver
 Suitable for dry locations
 Canopy mount on 4" octagon junction box
 Refer to website for dimmer compatibility
 5-year warranty

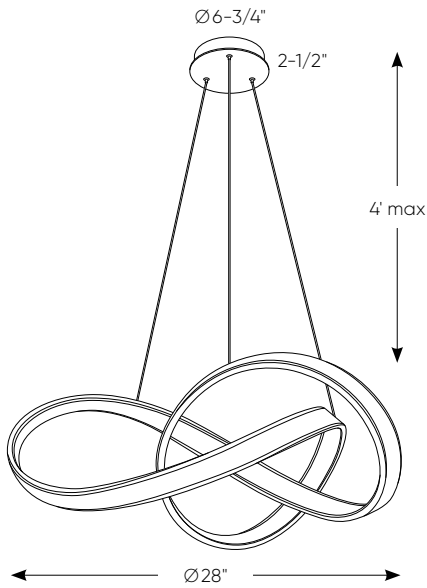
Finish

- BK Black
- GD Gold

Note

Other color temperatures, finishes, and voltage options are available but may require minimum order quantities (MOQs) and longer lead times. Please contact your DALs representative for more information.

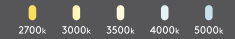
TWPD-CC



Atom pendant

Explore the refined aesthetics of our latest horizontal Atom pendant, featuring a unique design with clean lines that elegantly complements any room.

NEW



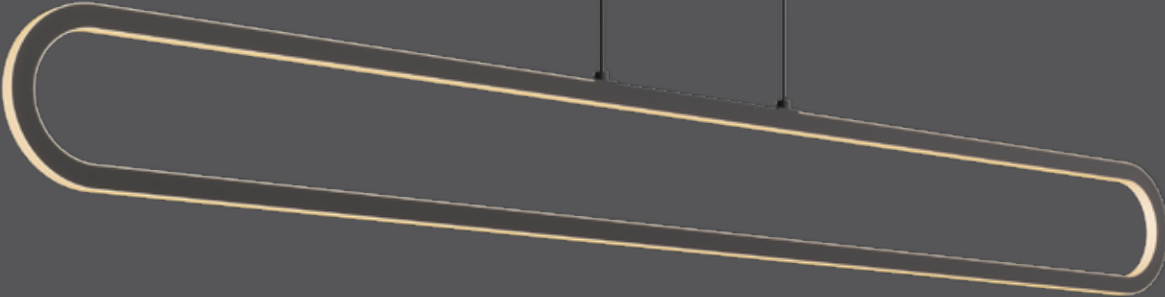
COLOR TEMPERATURE



DAMP



Intertek



Model	Size	Watts	Delivered lumens	CRI	Color °T	Voltage
FPD60-CC	60"	50 W	1700 lm	90	2700, 3000, 3500, 4000, 5000 K	120 V

Specifications

Over 50,000 hours of service life
 Adjustable height up to 10 feet
 Switch-selectable CCT: 2700 K/3000 K/
 3500 K/4000 K/5000 K
 Integrated dimmable driver
 Suitable for damp locations
 Canopy mount on 4" octagon
 junction box
 Refer to website for dimmer compatibility
 5-year warranty

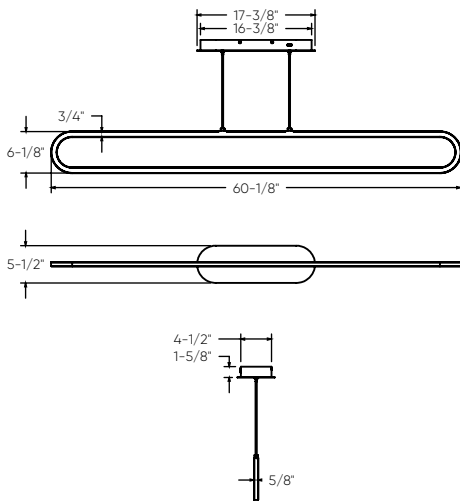
Finish

● **BK** Black

Note

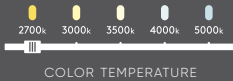
Other color temperatures, finishes, and voltage options are available but may require minimum order quantities (MOQs) and longer lead times. Please contact your DALI representative for more information.

FPD60-CC



Atom pendant

A unique design with clean lines that will add the final touch to your office, bedroom and even that newly renovated mud room. The double-sided ring will add warmth and character.



Model	Size	Watts	Delivered lumens	CRI	Color °T	Voltage
FPD-CC	16"	24 W	820 lm	90	2700, 3000, 3500, 4000, 5000 K	120 V

Specifications

Over 50,000 hours of service life
 Adjustable height up to 10 feet
 Switch-selectable CCT: 2700 K/3000 K/
 3500 K/4000 K/5000 K
 Frosted lens
 Integrated dimmable driver
 Suitable for damp locations
 Canopy mount on 4" octagonal
 junction box
 Refer to website for dimmer compatibility
 5-year warranty

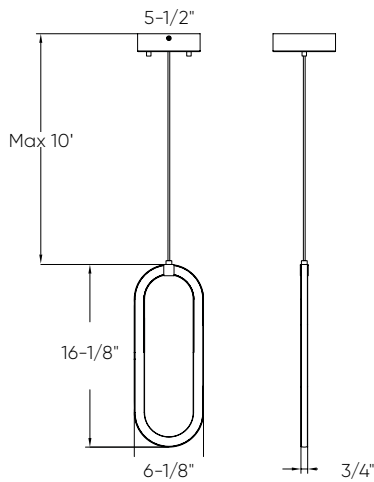
Finish

- **BK** Black
- **GD** Gold

Note

Other color temperatures, finishes, and voltage options are available but may require minimum order quantities (MOQs) and longer lead times. Please contact your DALs representative for more information.

FPD-CC



Atom cluster

Enrich your space with the Atom three-pendant LED cluster, distinguished by a contemporary design featuring clean lines—ideal for high ceilings, and enhanced by an illuminated canopy, providing both a modern aesthetic and ample illumination.

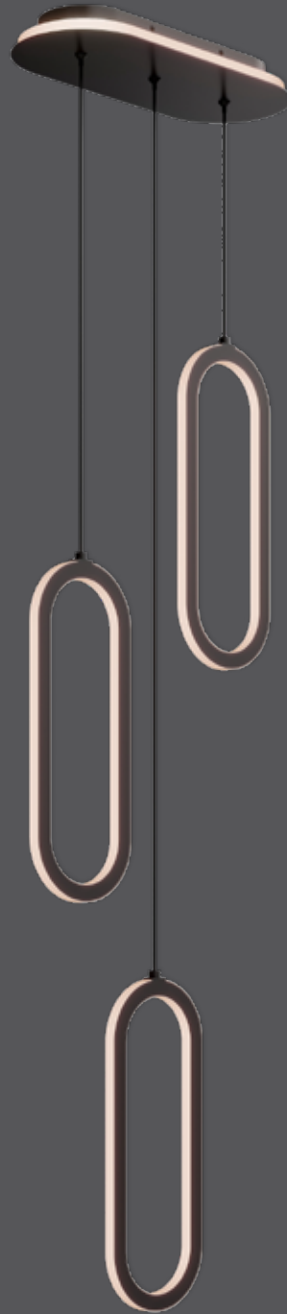
NEW

2700k 3000k 3500k 4000k 5000k

COLOR TEMPERATURE

DAMP

ETL Intertek



Model	Size	Watts	Delivered lumens	CRI	Color °T	Voltage
FPDC3-CC	16-3/8"/3 lights	40 W	1400 lm	90	2700, 3000, 3500, 4000, 5000 K	120 V

Specifications

Over 50,000 hours of service life
 Adjustable height up to 10 feet
 Switch-selectable CCT: 2700 K/3000 K/
 3500 K/4000 K/5000 K
 Integrated dimmable driver
 Suitable for damp locations
 Canopy mount on 4" octagon
 junction box
 Refer to website for dimmer compatibility
 5-year warranty

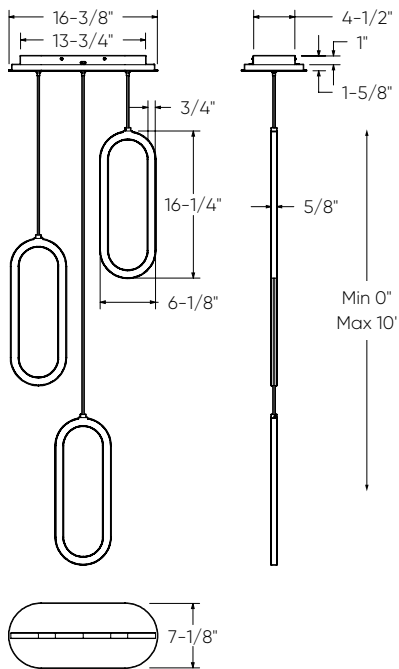
Finish

- BK Black
- GD Gold

Note

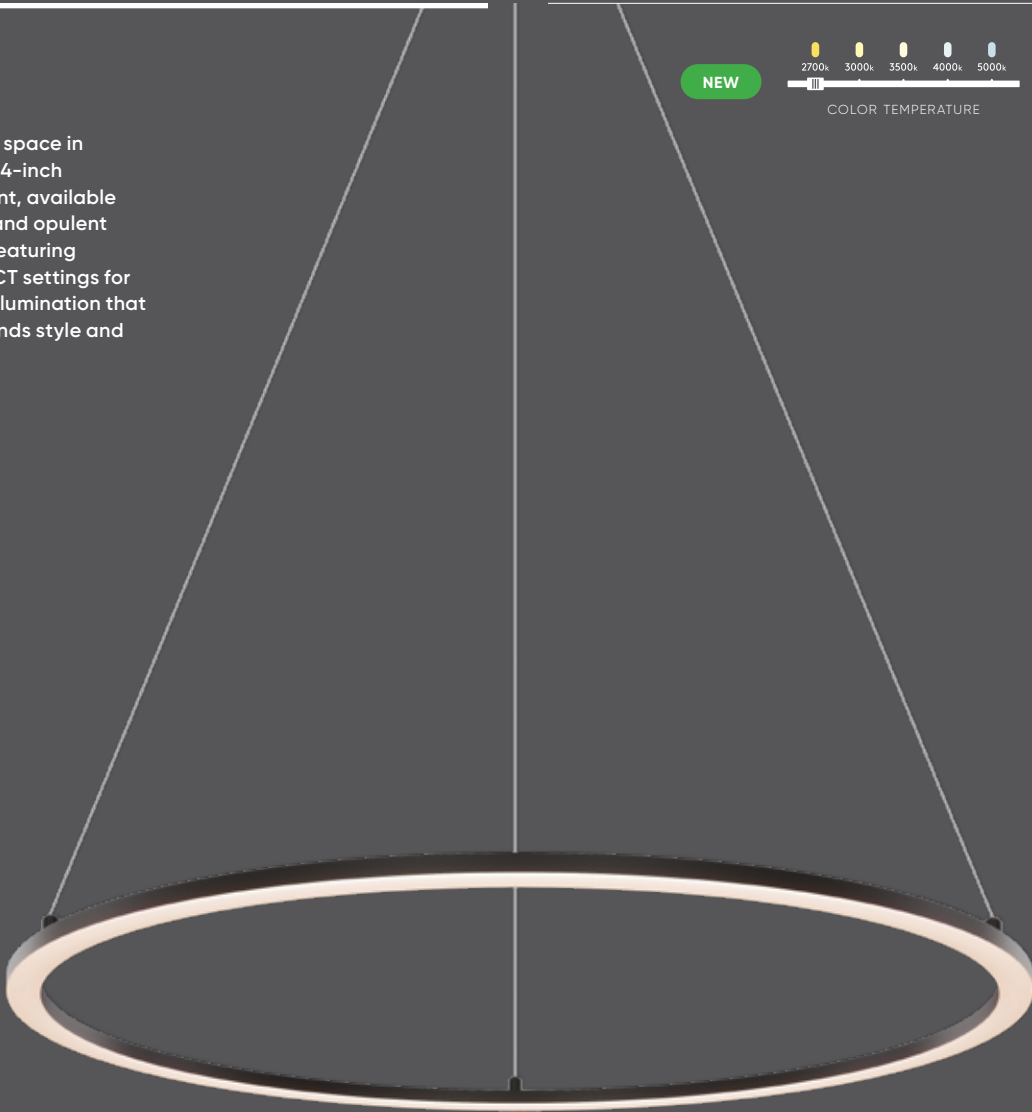
Other color temperatures, finishes, and voltage options are available but may require minimum order quantities (MOQs) and longer lead times. Please contact your DALI representative for more information.

FPDC3-CC

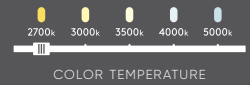


Circa

Illuminate your space in style with our 24-inch circular pendant, available in sleek black and opulent gold finishes, featuring adjustable 5CCT settings for customizable illumination that seamlessly blends style and functionality.



NEW



Model	Size	Watts	Delivered lumens	CRI	Color °T	Voltage
RGPD24-CC	24"	26 W	1500 lm	80	2700, 3000, 3500, 4000, 5000 K	120 V

Specifications

Over 50,000 hours of service life
 Adjustable height up to 10 feet
 Switch-selectable CCT: 2700 K/3000 K/
 3500 K/4000 K/5000 K
 Integrated dimmable driver
 Suitable for dry locations
 Canopy mount on 4" octagon
 junction box
 Refer to website for dimmer compatibility
 5-year warranty

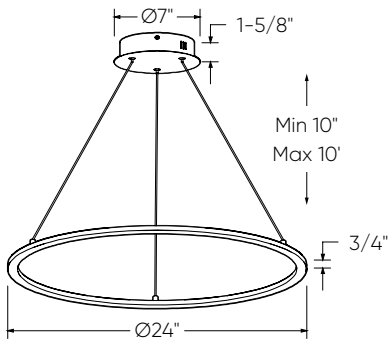
Finish

- **BK** Black
- **GD** Gold
- **WH** White

Note

Other color temperatures, finishes, and voltage options are available but may require minimum order quantities (MOQs) and longer lead times. Please contact your DALI representative for more information.

RRPD24-CC



Drop

Illuminate your space in style with our two-tier 20-inch pendant, showcasing two-zone lighting with a lit canopy and a 12-inch downlight—all customizable with 5CCT options—in a sleek black finish, effortlessly blending modern design with versatile functionality.

NEW

2700k 3000k 3500k 4000k 5000k

COLOR TEMPERATURE

DRY

ETL Intertek



Model	Size	Watts	Delivered lumens	CRI	Color °T	Voltage
CFPD20-CC	20"	39 W	1675 lm	80	2700, 3000, 3500, 4000, 5000 K	120 V

Specifications

Over 50,000 hours of service life
 Adjustable height up to 10 feet
 Switch-selectable CCT: 2700 K/3000 K/
 3500 K/4000 K/5000 K
 Integrated dimmable driver
 Suitable for dry locations
 Illuminated canopy
 Canopy mount on 4" octagon
 junction box
 Refer to website for dimmer compatibility
 5-year warranty

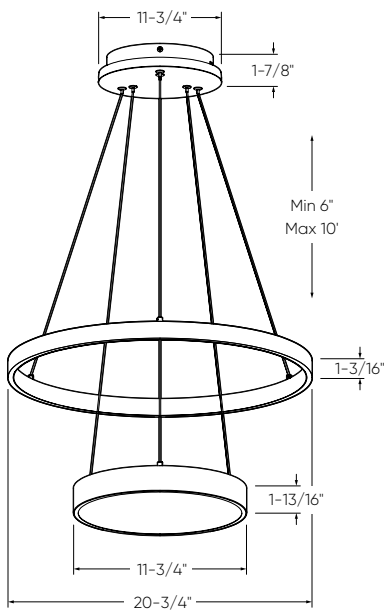
Finish

● BK Black

Note

Other color temperatures, finishes, and voltage options are available but may require minimum order quantities (MOQs) and longer lead times. Please contact your DALI representative for more information.

CFPD20-CC

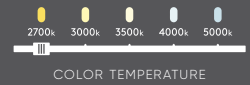


Pyra pendant

Discover contemporary elegance with the Pyra, a 34-inch rounded triangular pendant light available in a range of finishes and customizable 5CCT options.



NEW



Model	Size	Watts	Delivered lumens	CRI	Color °T	Voltage
TRPD34-CC	34"	80 W	3140 lm	90	2700, 3000, 3500, 4000, 5000 K	120 V

Specifications

Over 50,000 hours of service life
 Adjustable height up to 10 feet
 Switch-selectable CCT: 2700 K/3000 K/
 3500 K/4000 K/5000 K
 Integrated dimmable driver
 Suitable for dry locations
 Canopy mount on 4" octagon
 junction box
 Refer to website for dimmer compatibility
 5-year warranty

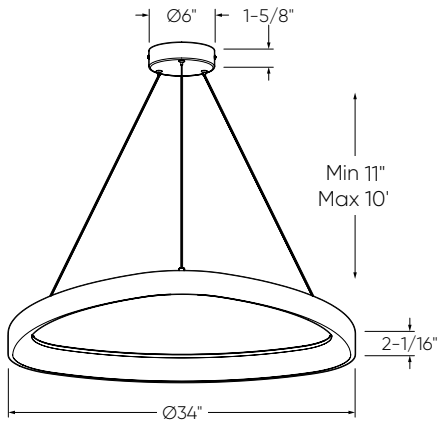
Finish

- **BK** Black
- **GD** Gold
- **WH** White

Note

Other color temperatures, finishes, and voltage options are available but may require minimum order quantities (MOQs) and longer lead times. Please contact your DALI representative for more information.

TRPD34-CC



OLYMPIA FIVE PENDANT / P. 152

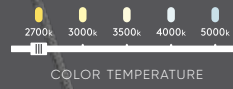


GEMINI / P. 252



Eclipse

Simplicity and elegance are reunited in this minimalist double ring pendant. Over the kitchen island, as foyer lighting or in the boardroom, this will scream sophistication.



Model	Size	Watts	Delivered lumens	CRI	Color °T	Voltage
PDR14-CC	14"	25 W	1700 lm	80	2700, 3000, 3500, 4000, 5000 K	120 V

Specifications

Over 50,000 hours of service life
 Adjustable height up to 4 feet
 Aluminum housing which serves as a highly efficient heat sink
 Switch-selectable CCT: 2700 K/3000 K/3500 K/4000 K/5000 K
 Frosted lens
 Integrated dimmable driver
 Suitable for dry locations
 Canopy mount on 4" octagonal junction box
 Refer to website for dimmer compatibility
 5-year warranty

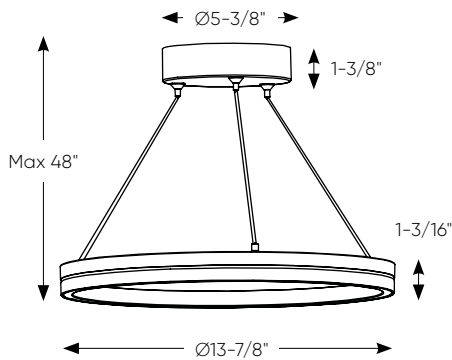
Finish

 **BG** Black/Gold

Note

Other color temperatures, finishes, and voltage options are available but may require minimum order quantities (MOQs) and longer lead times. Please contact your DALI representative for more information.

PDR14-CC

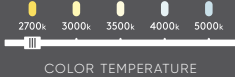


Asterisk pendant

Infuse sophistication into your space with our 32-inch three-branch pendant, seamlessly blending style and functionality to illuminate your area with modern grace.



NEW



Model	Size	Watts	Delivered lumens	CRI	Color °T	Voltage
SSPD32-CC	32"	30 W	1500 lm	80	2700, 3000, 3500, 4000, 5000 K	120 V

Specifications

Over 50,000 hours of service life
 Adjustable height up to 10 feet
 Switch-selectable CCT: 2700 K/3000 K/
 3500 K/4000 K/5000 K
 Integrated dimmable driver
 Suitable for dry locations
 Includes 5 robust stems
 Canopy mount on 4" octagon
 junction box
 Refer to website for dimmer compatibility
 5-year warranty

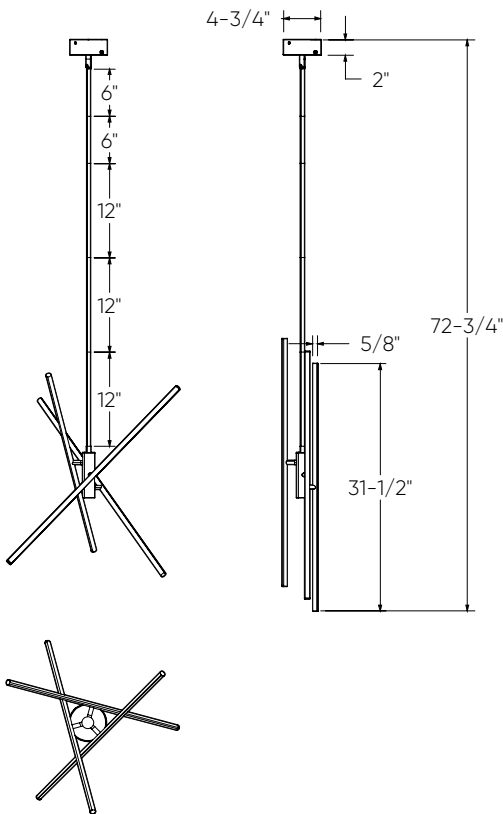
Finish

● **BK** Black

Note

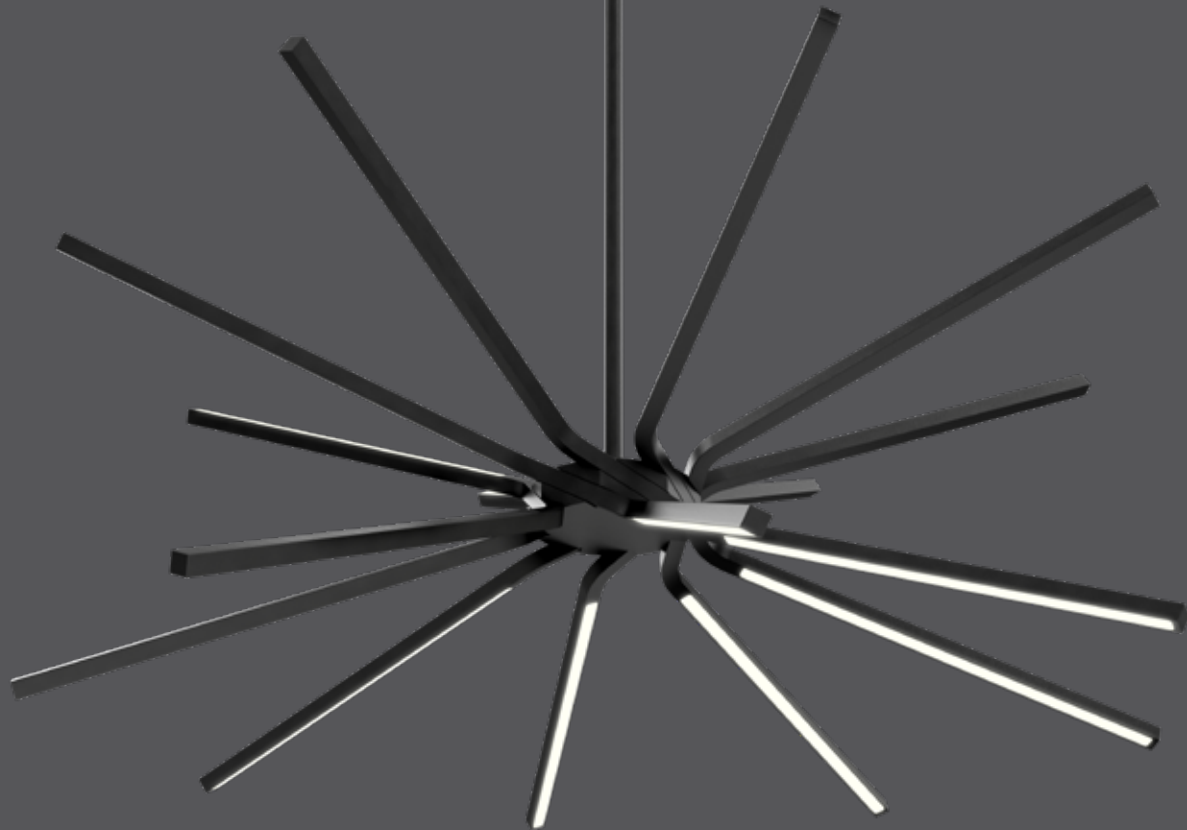
Other color temperatures, finishes, and voltage options are available but may require minimum order quantities (MOQs) and longer lead times. Please contact your DALI representative for more information.

SSPD32-CC



Stellar pendant

This eclectic star pendant contains 16 branches to light up your space like no other. Part up light and part down light, the star pendant will be a great addition to any dining room, kitchen, living room or foyer.



Model	Size	Watts	Delivered lumens	CRI	Color °T	Voltage
STRPD	30"	33 W	1880 lm	90	3000 K	120 V

Specifications

Over 50,000 hours of service life
 Adjustable height up to 4 feet
 Aluminum housing which serves as a highly efficient heat sink
 Includes 6 robust stems (8" each)
 Frosted lens
 Excellent color rendering
 Integrated dimmable driver
 Suitable for dry locations
 Canopy mount on 4" octagon junction box
 Refer to website for dimmer compatibility
 5-year warranty

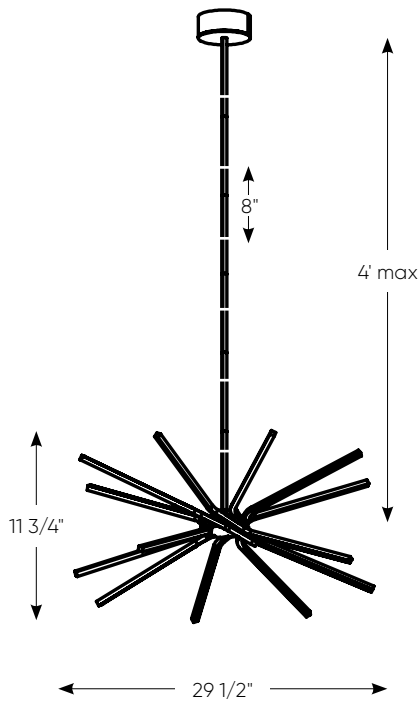
Finish

- BK Black
- WH White

Note

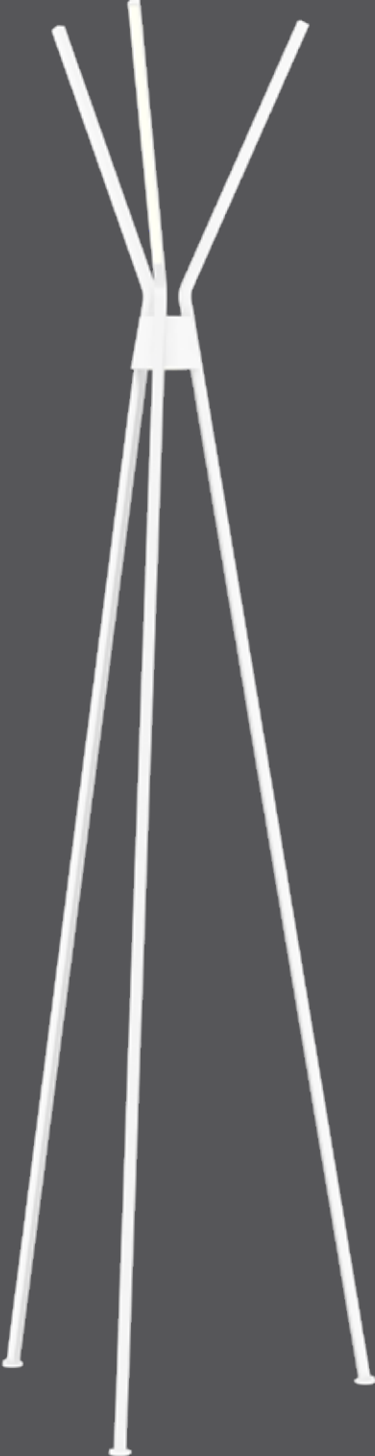
Other color temperatures, finishes, and voltage options are available but may require minimum order quantities (MOQs) and longer lead times. Please contact your DALI representative for more information.

STRPD



Stellar floor lamp

Just like the trident, this powerful, yet discrete floor lamp will add character to any living area.



Model	Size	Watts	Delivered lumens	CRI	Color °T	Voltage
STRFL	64-1/8"	14 W	1200 lm	90	3000 K	120 V

Specifications

Over 50,000 hours of service life
 Aluminum housing which serves as a highly efficient heat sink
 Warm white light output
 Frosted lens
 Excellent color rendering
 Integrated dimmable driver
 Suitable for dry locations
 Refer to website for dimmer compatibility
 5-year warranty

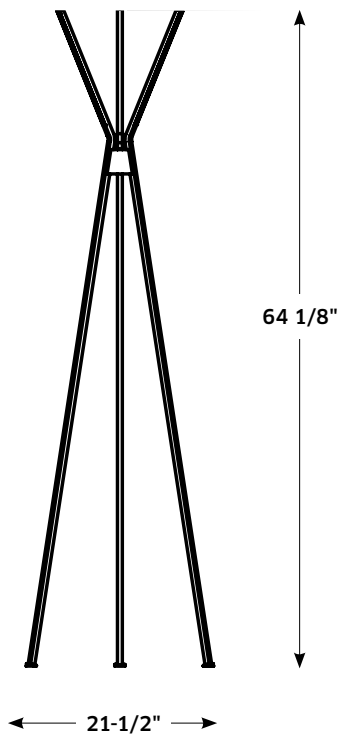
Finish

- **BK** Black
- **WH** White

Note

Other color temperatures, finishes, and voltage options are available but may require minimum order quantities (MOQs) and longer lead times. Please contact your DALI representative for more information.

STRFL



SPIN PENDANT / P. 148



HOVER / P. 218



Channel pendant

These beautiful modern pendants with vertical light strips running along the side create tasteful accents to any interior design, whether in a cluster or standalone. Height adjustable 10-foot cables and flexible switch-selectable color temperatures make these decorative pendants an easy choice. Available in multiple sizes and finishes.



Model	Size	Watts	Delivered lumens	CRI	Color °T	Voltage
PDLED120-24	24"	30 W	300 lm	90	3000, 3500, 4000 K	120 V - 277 V
PDLED120-36	36"	30 W	300 lm			
PDLED120-48	48"	30 W	300 lm			
PDLED120-60	60"	30 W	300 lm			

Specifications

Over 50,000 hours of service life
 Adjustable cable length to 10 feet
 Switch-selectable CCT: 3000 K/
 3500 K/4000 K inside canopy
 Frosted reflector
 Low power consumption
 Superior color consistency
 Canopy mount on 4" octagon junction box
 Integrated dimmable driver

Compatible with TRIAC, ELV and
 0-10 V dimmers
 Suitable for damp locations
 Refer to website for dimmer compatibility
 5-year warranty

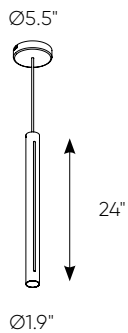
Finish

- **BK** Black
- **WH** White

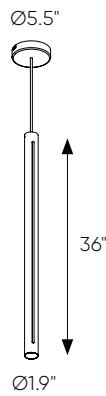
Note

Other color temperatures, finishes, and
 voltage options are available but may
 require minimum order quantities (MOQs)
 and longer lead times. Please contact your
 DALIS representative for more information.

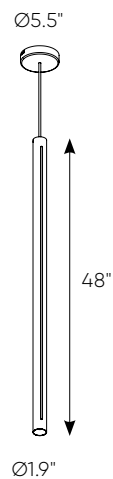
PDLED120-24



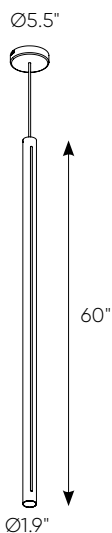
PDLED120-36



PDLED120-48



PDLED120-60

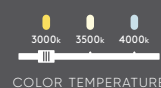


Channel cluster

These beautiful modern pendants with vertical light strips running along the side create tasteful accents to any interior design. Height adjustable 10-foot cables and flexible switch-selectable color temperatures make these decorative pendants an easy choice. Available in multiple sizes and finishes.



DAMP



COLOR TEMPERATURE



Intertek



Model	Size	Watts	Delivered lumens	CRI	Color °T	Voltage
PDLED120-5	Ø22"/5 lights	150 W	1500 lm	90	3000, 3500, 4000 K	120 V - 277 V
PDLED120-8	Ø26"/8 lights	240 W	2400 lm			
PDLED120-5SQ	47"/5 lights	150 W	1500 lm			
PDLED120-8SQ	84"/8 lights	240 W	2400 lm			

Specifications

Over 50,000 hours of service life
 Individually adjustable cable length up to 10 feet
 Switch-selectable CCT: 3000 K/3500 K/4000 K inside canopy
 Frosted reflector
 Low power consumption
 Superior color consistency
 Canopy mount on 4" octagon junction box
 Integrated dimmable driver
 Compatible with TRIAC, ELV and 0-10 V dimmers
 Suitable for damp locations
 Refer to website for dimmer compatibility
 5-year warranty

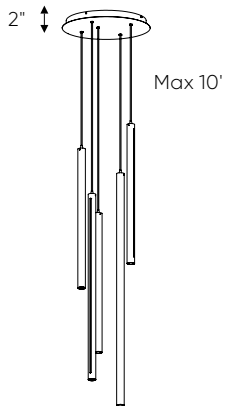
Finish

- **BK** Black
- **WH** White

Note

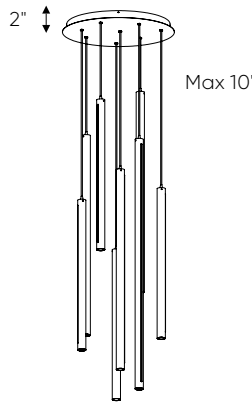
Other color °T and finishes available, but may require MOQ's and longer lead times. Please contact your DALSi representative for more information.

PDLED120-5



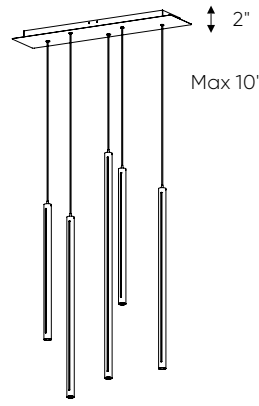
Ø22"

PDLED120-8



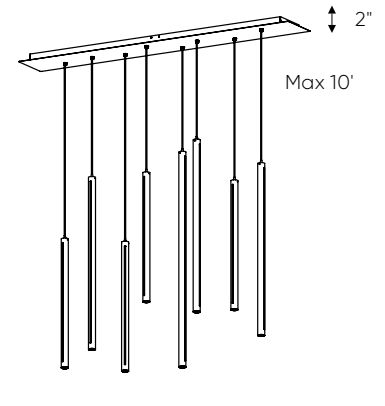
Ø26"

PDLED120-5SQ



47-5/16" x 11"

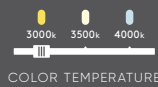
PDLED120-8SQ



84" x 12"

Nova

Designed for modern and new builds, this cylindrical hanging pendant provides a simple and elegant way to enhance your space. At 18-inches in length, and with an ultra-thin flat canopy with adjustable 10-foot cable, this fixture can be installed as easily as any recessed light. Switch-selectable color temperatures ranging from 3000, 3500, and 4000 K, to create a subtle and customizable lighting effect.



Model	Size	Watts	Delivered lumens	CRI	Color °T	Voltage
PDC18-CC	18"	9 W	510 lm	90	3000 K - 3500 K - 4000 K	120 V

Specifications

Over 50,000 hours of service life
 Adjustable cable length up to 10 feet
 Every fixture includes a junction box with integrated dimmable driver
 Ultra-slim canopy, installs like a recessed fixture
 Frosted reflector
 Low power consumption
 Superior color consistency
 Switch-selectable CCT: 3000 K/3500 K/4000 K on junction box
 Suitable for damp locations
 Refer to website for dimmer compatibility
 5-year warranty

Finish

- **BK** Black
- **SBA** Sandblasted aluminum
- **WH** White

Accessories

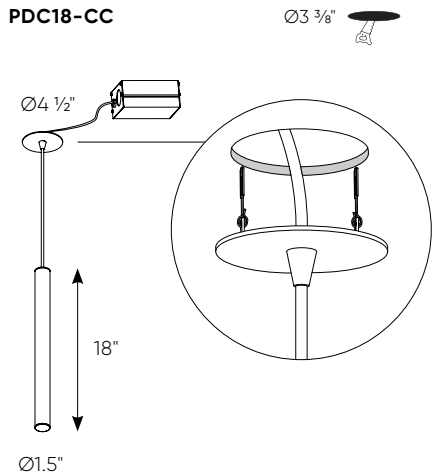
RFP-UNI
 Universal rough-in plate

Note

Other color temperatures, finishes, and voltage options are available but may require minimum order quantities (MOQs) and longer lead times. Please contact your DALs representative for more information.



PDC18-CC





NOVA / P. 190



Spin sconce

As members of the Spin family, these sleek 24 and 36-inch wall-mounted sconces add a touch of architectural brilliance to any space.

NEW

2700k 3000k 3500k 4000k 5000k

COLOR TEMPERATURE

DAMP

ETL Intertek



Model	Size	Watts	Delivered lumens	CRI	Color °T	Voltage
BRV24-CC	24"	15 W	760 lm	80	2700, 3000, 3500, 4000, 5000 K	120 V
BRV36-CC	36"	22 W	1140 lm			

Specifications

Over 50,000 hours of service life
 Switch-selectable CCT: 2700 K/3000 K/
 3500 K/4000 K/5000 K
 Integrated dimmable driver
 Suitable for damp locations
 Canopy mount on 4" octagon
 junction box
 Refer to website for dimmer compatibility
 5-year warranty

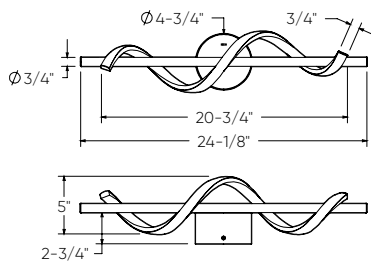
Finish

● BK Black

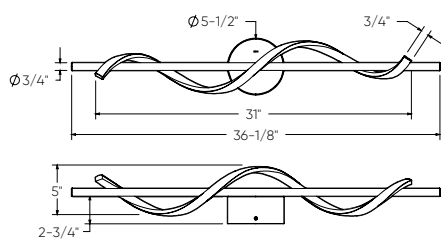
Note

Other color temperatures, finishes, and voltage options are available but may require minimum order quantities (MOQs) and longer lead times. Please contact your DALI representative for more information.

BRV24-CC



BRV36-CC



Lightning

Make a bold statement with this wall-mounted light fixture, featuring a sleek bolt-shaped design that seamlessly combines modern aesthetics with functional elegance. Versatile in its installation, it can also be mounted vertically for a unique lighting experience.

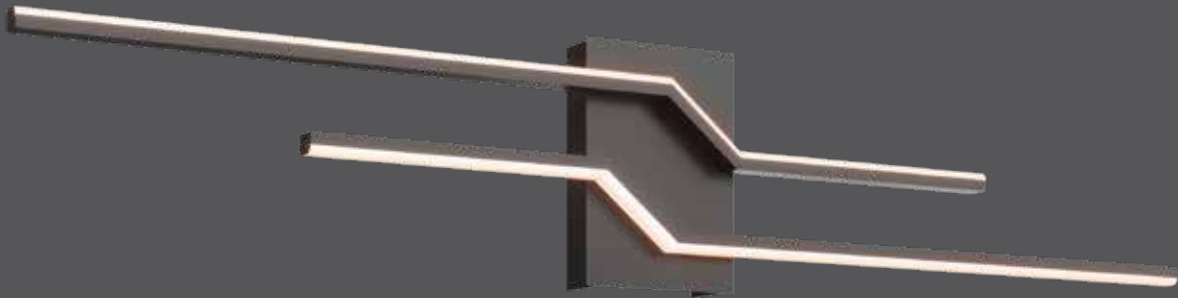
NEW

2700k 3000k 3500k 4000k 5000k

COLOR TEMPERATURE

DAMP

ETL Intertek



Model	Size	Watts	Delivered lumens	CRI	Color °T	Voltage
VDL40-CC	40"	30 W	1900 lm	80	2700, 3000, 3500, 4000, 5000 K	120 V

Specifications

Over 50,000 hours of service life
 Switch-selectable CCT: 2700 K/3000 K/
 3500 K/4000 K/5000 K
 Integrated dimmable driver
 Suitable for damp locations
 Illuminated canopy
 Canopy mount on 4" octagon
 junction box
 Refer to website for dimmer compatibility
 5-year warranty

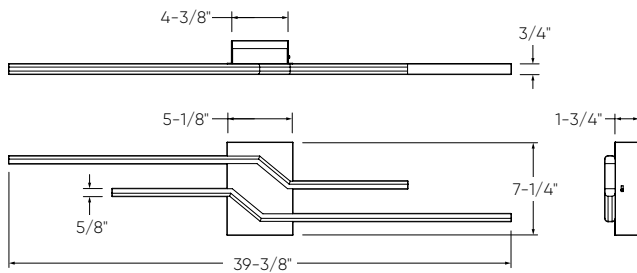
Finish

- BK Black
- WH White

Note

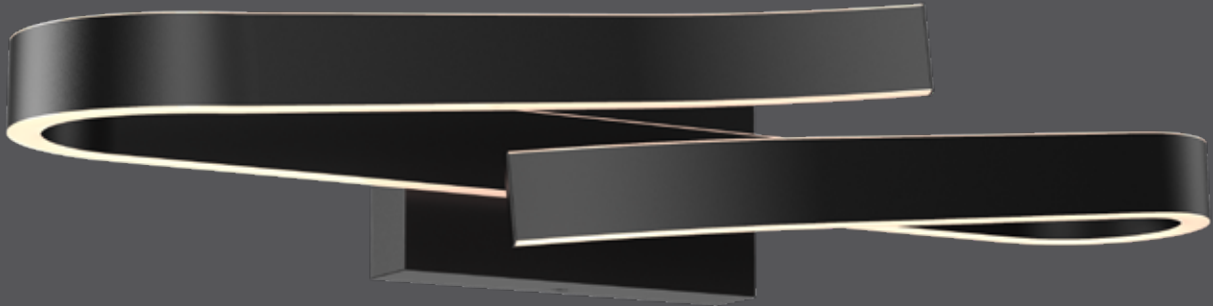
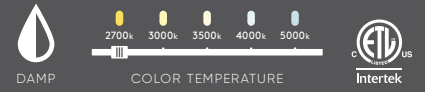
Other color temperatures, finishes, and voltage options are available but may require minimum order quantities (MOQs) and longer lead times. Please contact your DALs representative for more information.

VDL40-CC



Borealis

This sconce exhibits a graceful, ribbon-like style with light being diffused from both ends. This beautifully crafted wall fixture can be mounted in many different locations: the bathroom, the study, or on either side of your fireplace. The choice is yours.



Model	Size	Watts	Delivered lumens	CRI	Color °T	Voltage
VRB24-CC	24"	40 W	1400 lm	90	2700, 3000, 3500, 4000, 5000 K	120 V

Specifications

Over 50,000 hours of service life
 Superior color consistency
 Integrated dimmable driver
 Switch-selectable CCT: 2700 K/
 3000 K/3500 K/4000 K/5000 K in canopy
 Minimal heat emission
 Aluminum construction
 Suitable for damp locations
 Refer to website for dimmer compatibility
 5-year warranty

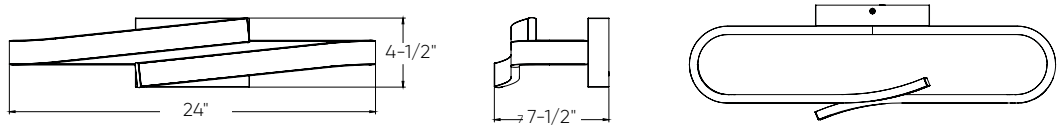
Finish

- **BK** Black
- **SN** Satin Nickel

Note

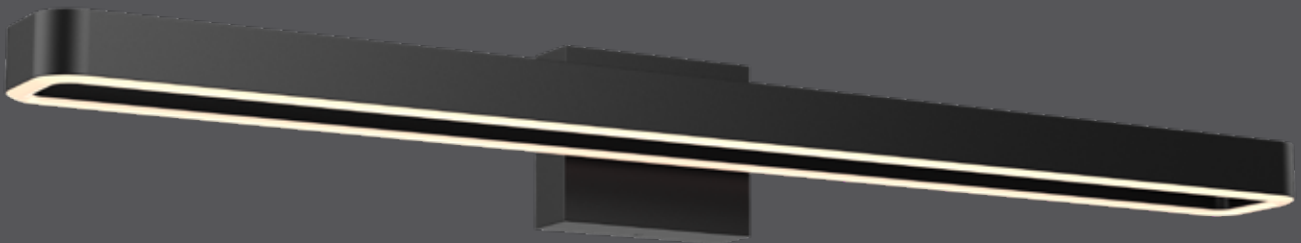
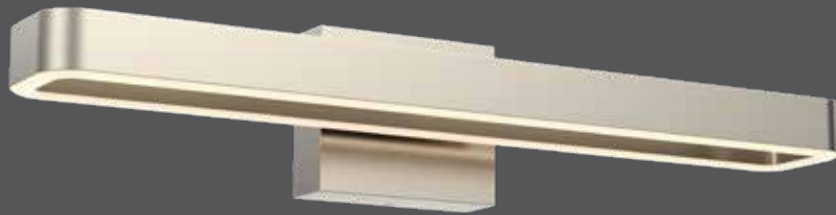
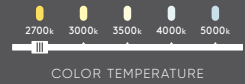
Other color temperatures, finishes, and voltage options are available but may require minimum order quantities (MOQs) and longer lead times. Please contact your DALI representative for more information.

VRB24-CC



Aria

A modern, high-quality LED profile luminaire with direct light emission. Made of an aluminum extrusion and comes with an efficient 120° swiveling linear head.



Model	Size	Watts	Delivered lumens	CRI	Color °T	Voltage
VSW24-CC	24"	40 W	1280 lm	90	2700, 3000, 3500,	120 V
VSW36-CC*	36"	40 W	1500 lm	90	4000, 5000 K	120 V

Specifications

Over 50,000 hours of service life
 Superior color consistency
 Integrated dimmable driver
 Switch-selectable CCT: 2700 K/
 3000 K/3500 K/4000 K/5000 K in canopy
 Minimal heat emission
 Aluminum construction
 120 degree swivel
 Suitable for damp locations
 Refer to website for dimmer compatibility
 5-year warranty

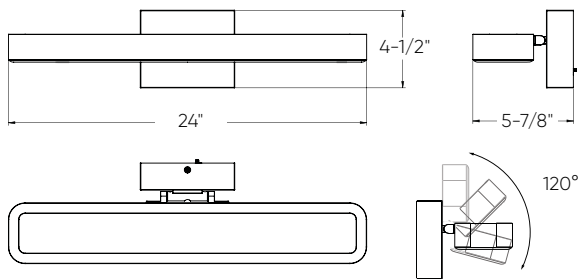
Finish

- **BK** Black
- **SN** Satin Nickel (VSW24-CC only)

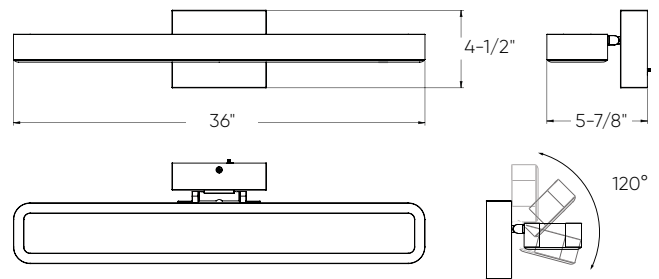
Note

Other color temperatures, finishes, and voltage options are available but may require minimum order quantities (MOQs) and longer lead times. Please contact your DALI representative for more information.

VSW24-CC



VSW36-CC



Balance

Transform your bathroom ambiance with our 24 and 36-inch two-tone vanity light, featuring a stylish interplay of finishes, and complete with an elegant round canopy for a minimalist touch.

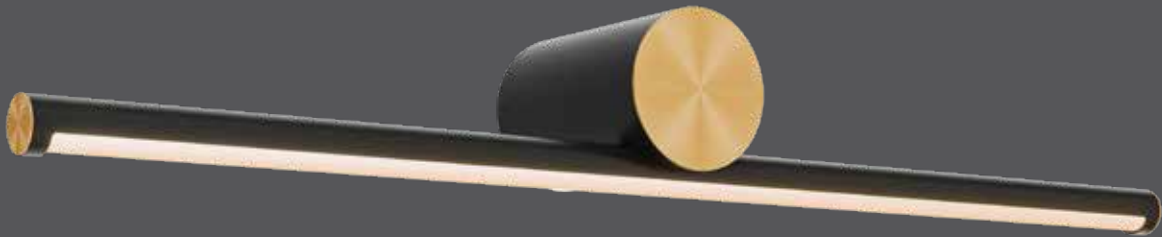
NEW

2700k 3000k 3500k 4000k 5000k

COLOR TEMPERATURE

DAMP

ETL Intertek



Model	Size	Watts	Delivered lumens	CRI	Color °T	Voltage
VCC24-CC	24"	20 W	1490 lm	80	2700, 3000, 3500,	120 V
VCC36-CC	36"	30 W	1950 lm		4000, 5000 K	

Specifications

Over 50,000 hours of service life
 Switch-selectable CCT: 2700 K/3000 K/
 3500 K/4000 K/5000 K
 Integrated dimmable driver
 Suitable for damp locations
 Canopy mount on 4" octagon
 junction box
 5-1/4" decorative disc included
 Refer to website for dimmer compatibility
 5-year warranty

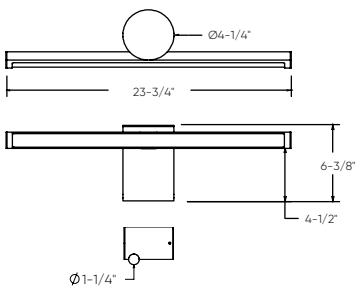
Finish

 **BG** Black/Gold

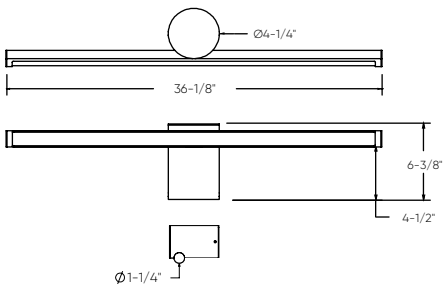
Note

Other color temperatures, finishes, and voltage options are available but may require minimum order quantities (MOQs) and longer lead times. Please contact your DALI representative for more information.

VCC24-CC



VCC36-CC



Portrait

Upgrade your living space with our versatile directional vanity light, suitable for any room. This fixture allows you to point the light in any direction, providing both functionality and style for a modern touch.

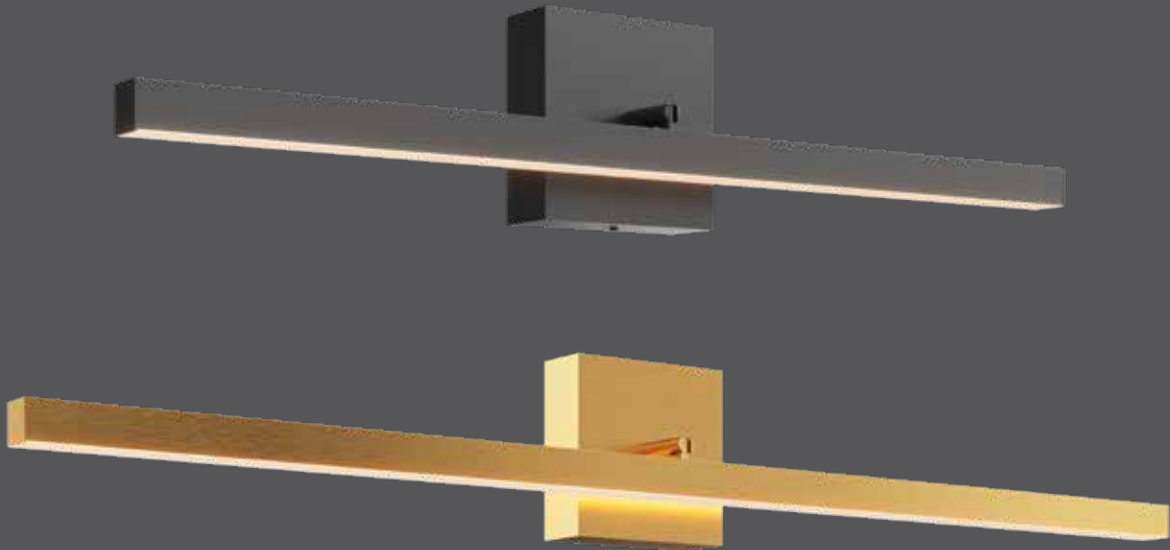
NEW

2700k 3000k 3500k 4000k 5000k
COLOR TEMPERATURE

180°
SWIVEL/DIRECTIONAL

DAMP

ETL US
Intertek



Model	Size	Watts	Delivered lumens	CRI	Color °T	Voltage
VLG24-CC	24"	15 W	1150 lm	80	2700, 3000, 3500, 4000, 5000 K	120 V
VLG36-CC	36"	26 W	2020 lm			

Specifications

Over 50,000 hours of service life
 Switch-selectable CCT: 2700 K/3000 K/
 3500 K/4000 K/5000 K
 Integrated dimmable driver
 Suitable for damp locations
 360° rotation, 180° swivel
 Multi-directional lighting with light coming
 from below and behind the luminaire
 Canopy mount on 4" octagon
 junction box
 Refer to website for dimmer compatibility
 5-year warranty

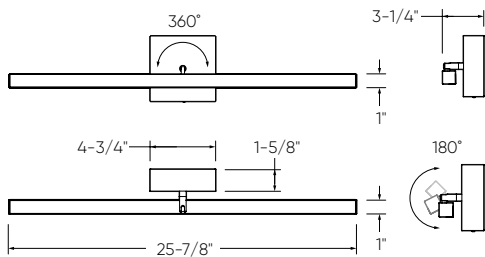
Finish

- **BK** Black
- **GD** Gold
- **SN** Satin Nickel
- **WH** White

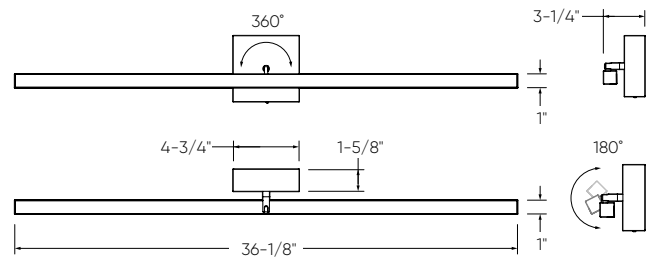
Note

Other color temperatures, finishes, and voltage options are available but may require minimum order quantities (MOQs) and longer lead times. Please contact your DALI representative for more information.

VLG24-CC



VLG36-CC



Gemini

This sleek design truly utilizes the best features of LED technology. We are now able to create a unique form factor that will project the perfect amount of light.

NEW

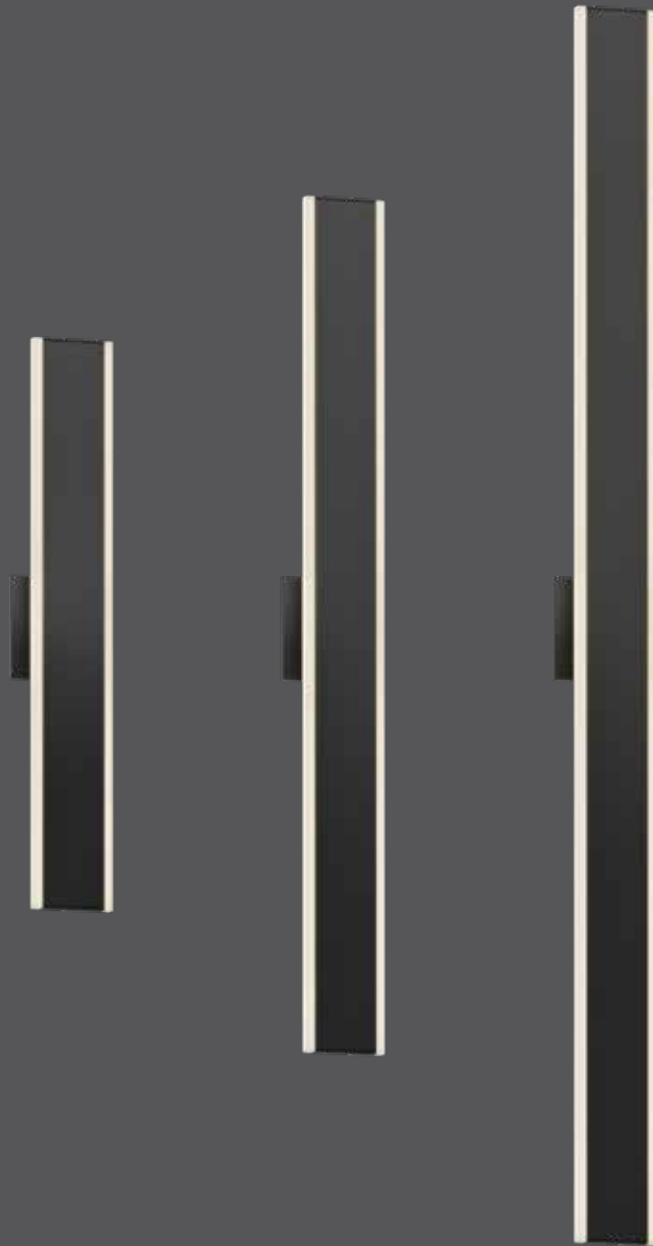
2700k 3000k 3500k 4000k 5000k

COLOR TEMPERATURE

WET

ETL Intertek

ADA COMPLIANT



Model	Size	Watts	Delivered lumens	CRI	Color °T	Voltage
SWS24-CC	24"	20 W	600 lm	90	2700, 3000, 3500, 4000, 5000 K	120 V
SWS36-CC	36"	30 W	1000 lm			
SWS60-CC	60"	50 W	1500 lm			

Specifications

- Over 50,000 hours of service life
- Low power consumption
- Superior color consistency
- Integrated dimmable driver
- ADA compliant
- Compatible with TRIAC and ELV dimmers
- Suitable for wet locations
- Refer to website for dimmer compatibility
- 5-year warranty

Finish

- **BK** Black

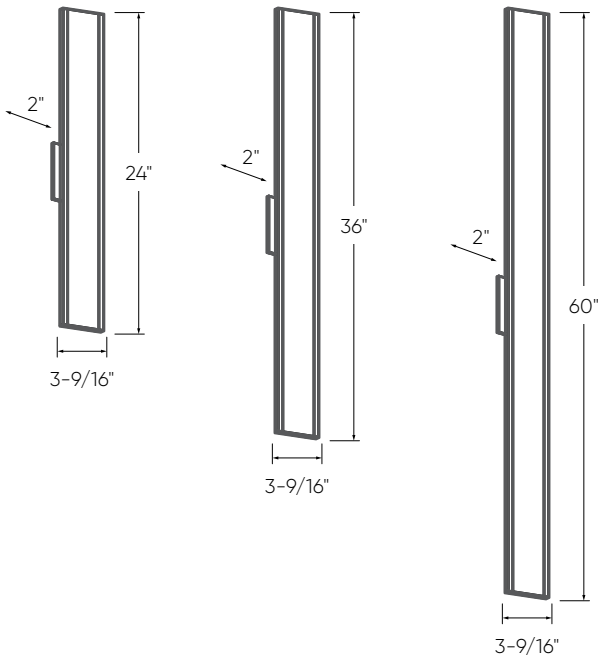
Note

Other color temperatures, finishes, and voltage options are available but may require minimum order quantities (MOQs) and longer lead times. Please contact your DALI representative for more information.

SWS24-CC

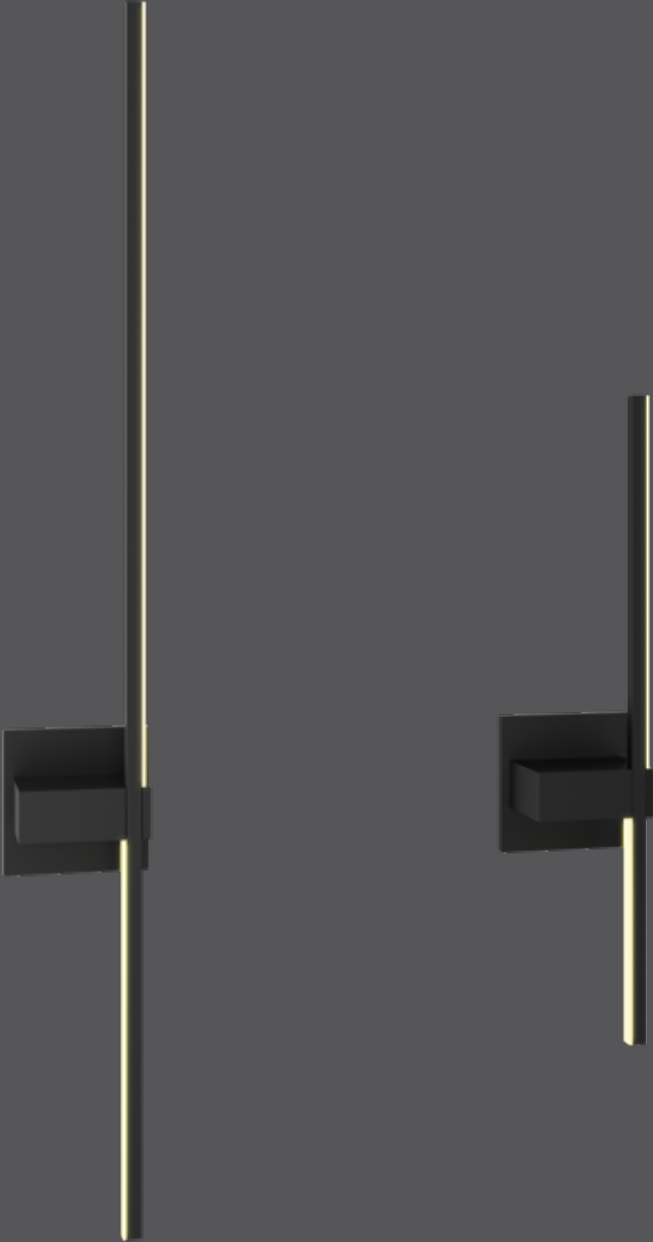
SWS36-CC

SWS60-CC



Aries

This unique design will provide a beautiful light pattern on your walls. From hallway to bedrooms, this sconce will blend perfectly with your decor.



Model	Size	Watts	Delivered lumens	CRI	Color °T	Voltage
STK21	21"	7 W	400 lm	90	3000 K	120 V
STK37	37"	13 W	840 lm			

Specifications

- Over 50,000 hours of service life
- Warm white light output
- Low power consumption
- Superior color consistency
- Integrated dimmable driver
- ADA compliant
- Suitable for wet locations
- Refer to website for dimmer compatibility
- 5-year warranty

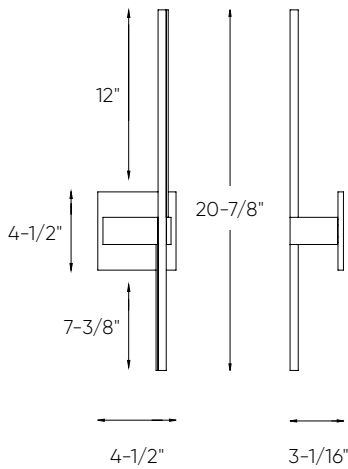
Finish

- **BK** Black
- **WH** White

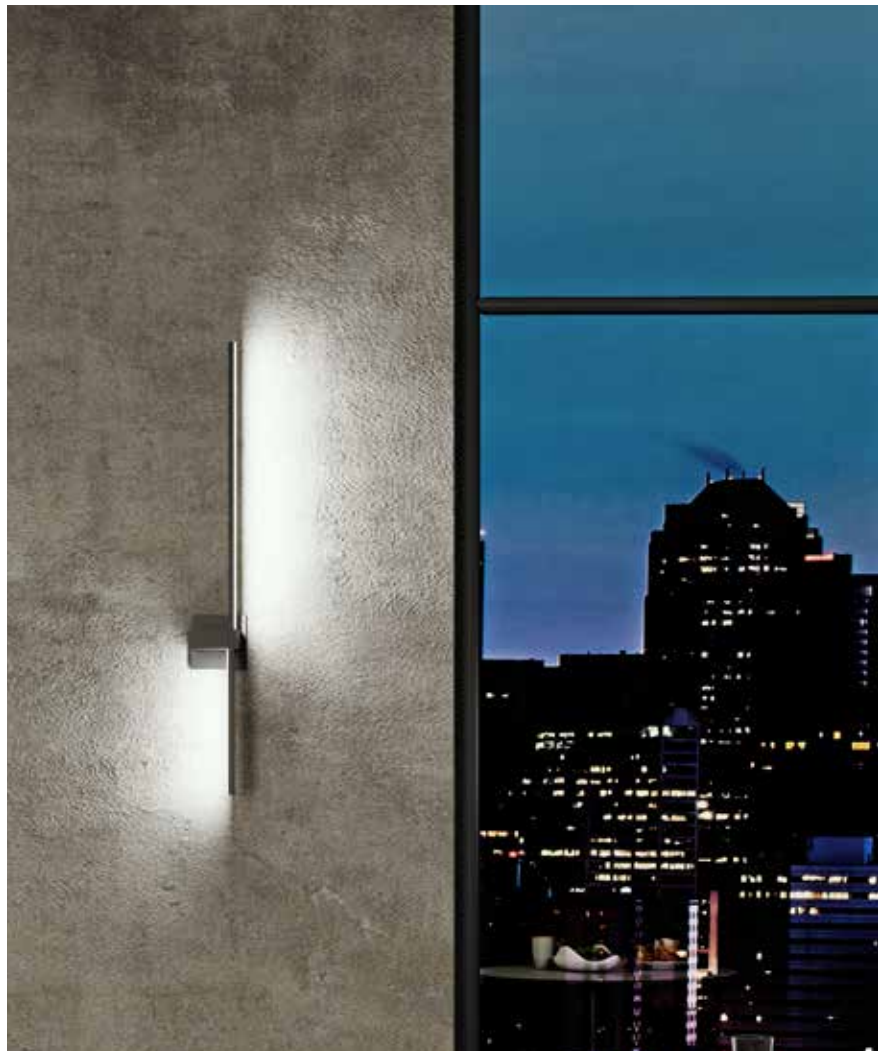
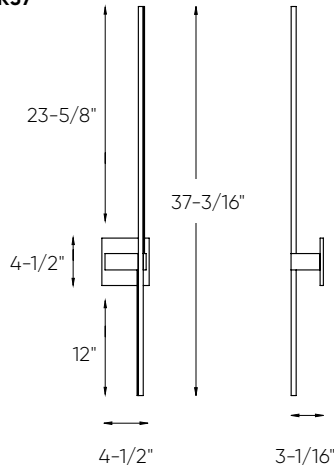
Note

Other color temperatures, finishes, and voltage options are available but may require minimum order quantities (MOQs) and longer lead times. Please contact your DALI representative for more information.

STK21



STK37

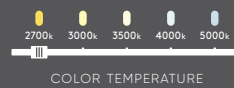


Noble one

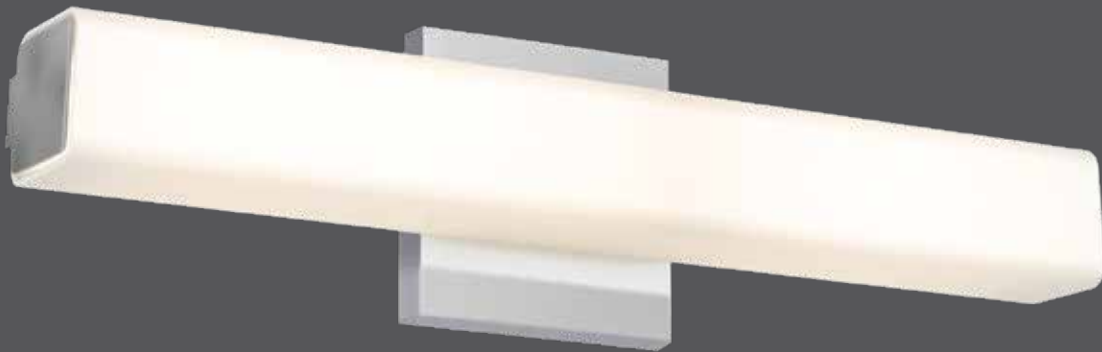
The flexibility of our LED vanity will give you many options to work with. It can be installed in a horizontal or vertical direction, and is available in 3 finishes.



DAMP



ADA
COMPLIANT



Model	Size	Watts	Delivered lumens	CRI	Color °T	Voltage
LEDVAN001-CC-18	18"	16 W	1000 lm	80	2700, 3000, 3500, 4000, 5000 K	120 V
LEDVAN001-CC-24	24"	24 W	1300 lm			

Specifications

Over 50,000 hours of service life
 Switch-selectable CCT: 2700 K/
 3000 K/3500 K/4000 K/5000 K in canopy
 Square frosted glass lens
 ADA compliant
 Superior color consistency
 Integrated dimmable direct-AC
 LED technology
 Suitable for damp locations
 Refer to website for dimmer compatibility
 5-year warranty

Finish

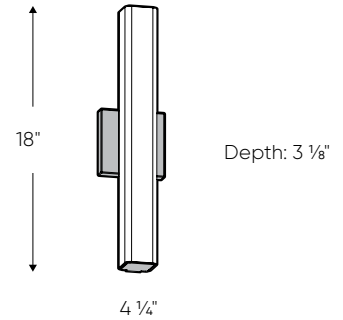
- **BK** Black
- **CH** Chrome
- **SN** Satin Nickel

Note

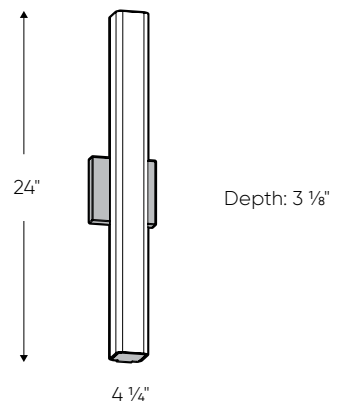
Other color temperatures, finishes, and voltage options are available but may require minimum order quantities (MOQs) and longer lead times. Please contact your DALs representative for more information.



LEDVAN001-CC-18



LEDVAN001-CC-24



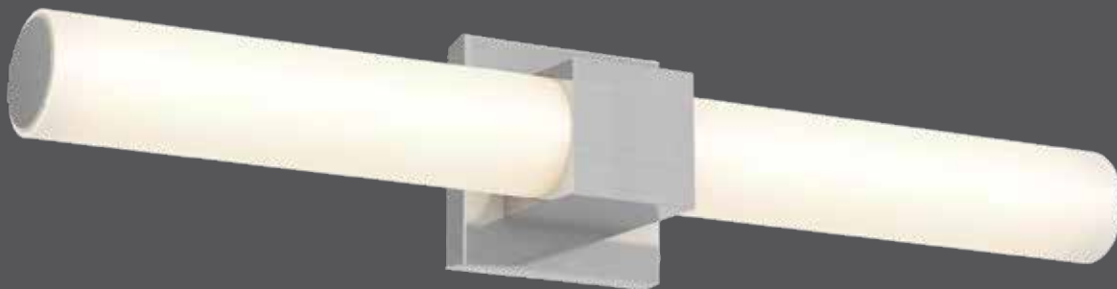
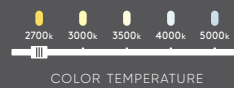


SWAY PENDANT / P. 146
ARIES WALL SCONCE / P. 208



Noble two

The flexibility of our LED vanity will give you many options to work with. It can be installed horizontally or vertically, and is available in 3 finishes.



Model	Size	Watts	Delivered lumens	CRI	Color °T	Voltage
LEDVAN002-CC-24	24"	24 W	1300 lm	80	2700, 3000, 3500,	120 V
LEDVAN002-CC-36	36"	32 W	1900 lm		4000, 5000 K	

Specifications

Over 50,000 hours of service life
 Switch-selectable CCT: 2700 K/
 3000 K/3500 K/4000 K/5000 K in canopy
 Round frosted glass lens
 ADA compliant
 Superior color consistency
 Integrated dimmable direct AC
 LED technology
 Suitable for damp locations
 Refer to website for dimmer compatibility
 5-year warranty

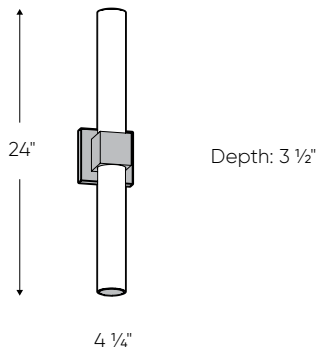
Finish

- **BK** Black
- **CH** Chrome
- **SN** Satin Nickel

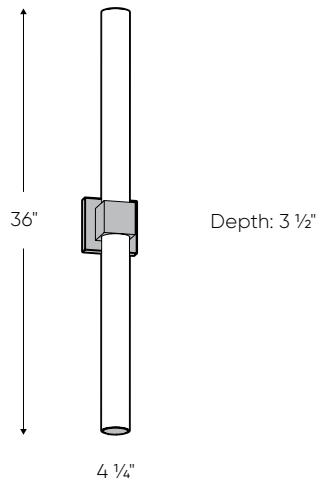
Note

Other color temperatures, finishes, and voltage options are available but may require minimum order quantities (MOQs) and longer lead times. Please contact your DALs representative for more information.

LEDVAN002-CC-24

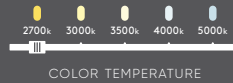


LEDVAN002-CC-36

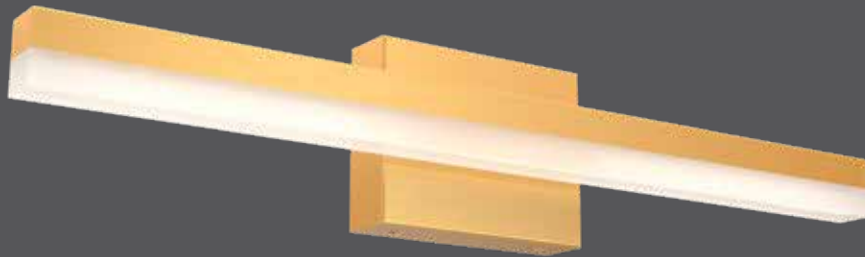


Lyra

These modern LED vanity lights can be installed in 2 directions; horizontal or vertical based on your desired lighting layout. Let your imagination go.



ADA
COMPLIANT



Model	Size	Watts	Delivered lumens	CRI	Color °T	Voltage
LEDVAN003-CC-24	24"	15 W	1300 lm	80	2700, 3000, 3500,	120 V
LEDVAN003-CC-32	32"	22 W	1900 lm		4000, 5000 K	

Specifications

Over 50,000 hours of service life
 Switch-selectable CCT: 2700 K/
 3000 K/3500 K/4000 K/5000 K in canopy
 ADA compliant
 Superior color consistency
 Integrated dimmable driver
 Suitable for damp locations
 Refer to website for dimmer compatibility
 5-year warranty

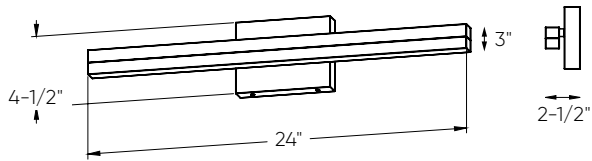
Finish

- **BK** Black
- **CH** Chrome
- **GD** Gold
- **SN** Satin Nickel

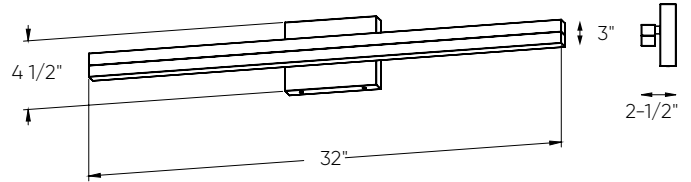
Note

Other color temperatures, finishes, and voltage options are available but may require minimum order quantities (MOQs) and longer lead times. Please contact your DALs representative for more information.

LEDVAN003-CC-24"



LEDVAN003-CC-32"



Hover

Rise to the occasion – crafted to ascend in design, this versatile fixture adds a contemporary touch to any room, bringing a sleek and efficient aesthetic to your space.

NEW

2700k 3000k 3500k 4000k 5000k

COLOR TEMPERATURE

DRY

ETL US Intertek



Model	Size	Watts	Delivered lumens	CRI	Color °T	Voltage
CCFM-CC	24"	42 W	2250 lm	80	2700, 3000, 3500, 4000, 5000 K	120 V

Specifications

Over 50,000 hours of service life
 Switch-selectable CCT: 2700 K/3000 K/
 3500 K/4000 K/5000 K
 Integrated dimmable driver
 Suitable for dry locations
 Canopy mount on 4" octagon
 junction box
 Refer to website for dimmer compatibility
 5-year warranty

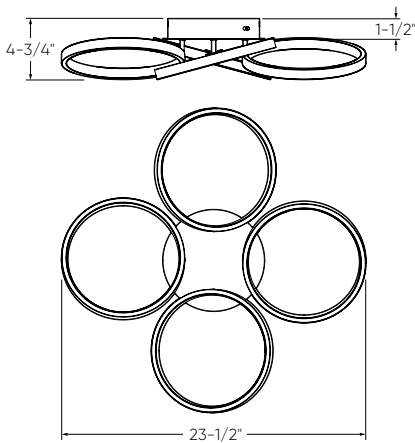
Finish

- BK Black
- GD Gold

Note

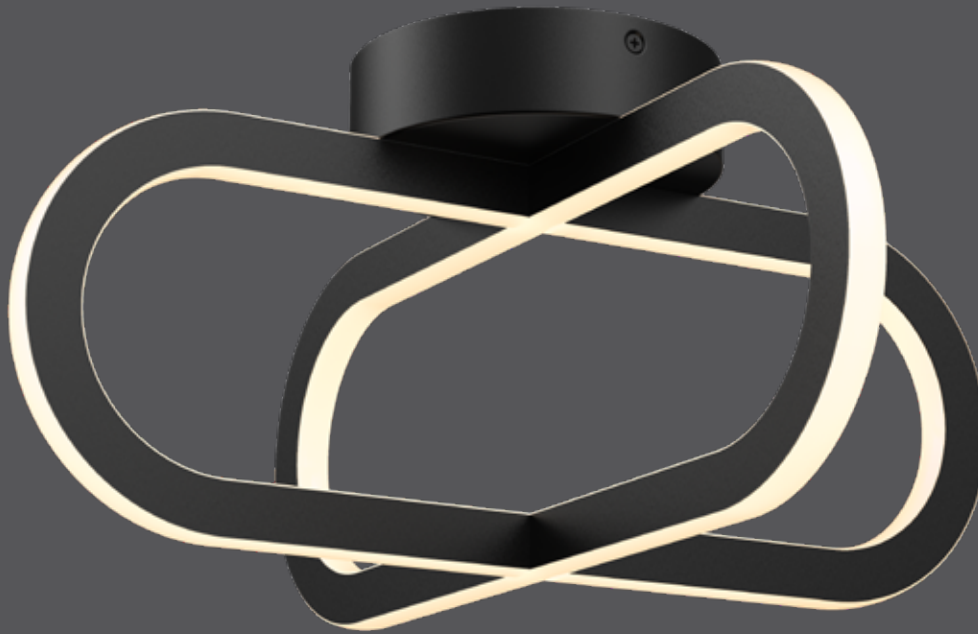
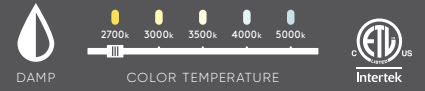
Other color temperatures, finishes, and voltage options are available but may require minimum order quantities (MOQs) and longer lead times. Please contact your DALI representative for more information.

CCFM-CC



Atom

A unique design with clean lines that will add the final touch to your office, bedroom and even that newly renovated mud room. The double-sided rings will add warmth and character.



Model	Size	Watts	Delivered lumens	CRI	Color °T	Voltage
FDB-CC	16"	40 W	1350 lm	90	2700, 3000, 3500, 4000, 5000 K	120 V

Specifications

Over 50,000 hours of service life
 Integrated driver
 Excellent color rendering
 Minimal heat emission
 Die-cast aluminum housing
 Switch-selectable CCT: 2700 K/3000 K/
 3500 K/4000 K/5000 K
 Canopy mount on 4" octagonal
 junction box
 Suitable for damp locations
 Easy installation
 Refer to website for dimmer compatibility
 5-year warranty

Finish

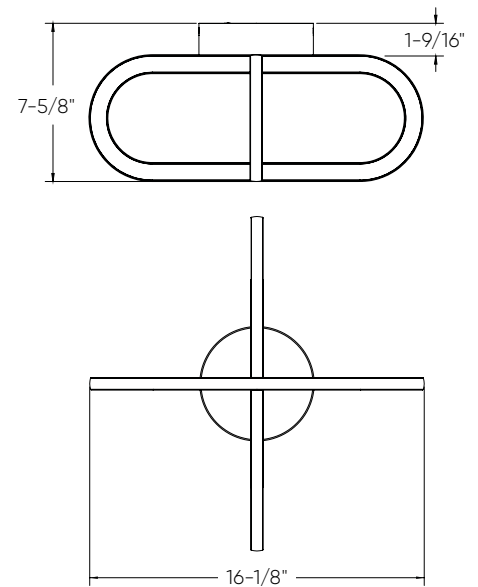
- **BB** Brushed Brass
- **BK** Black
- **SN** Satin Nickel

Note

Other color temperatures, finishes, and voltage options are available but may require minimum order quantities (MOQs) and longer lead times. Please contact your DALI representative for more information.

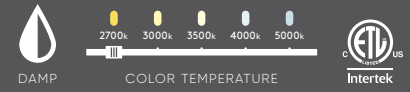


FDB-CC



Newton

A classic yet modern style, this unique flush mount will definitely impress. Not only will it light up the room from its central light source but will also emit a soft glow from its illuminated outer rings.



Model	Size	Watts	Delivered lumens	CRI	Color °T	Voltage
FMT18-CC	18"	24 W	1300 lm	80	2700, 3000, 3500, 4000, 5000 K	120 V

Specifications

Over 50,000 hours of service life
 Integrated driver
 Minimal heat emission
 Die-cast aluminum housing
 Switch-selectable CCT: 2700 K/3000 K/
 3500 K/4000 K/5000 K
 Canopy mount on 4" octagonal
 junction box
 Adjustable mounting position
 Suitable for damp locations
 Easy installation
 Refer to website for dimmer compatibility
 5-year warranty

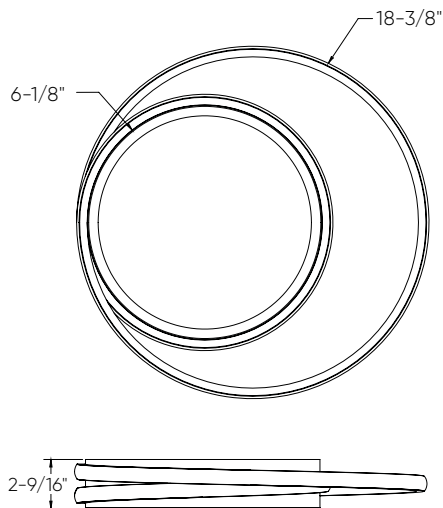
Finish

● BK Black

Note

Other color temperatures, finishes, and voltage options are available but may require minimum order quantities (MOQs) and longer lead times. Please contact your DALI representative for more information.

FMT18-CC



Sway flush mount

Introducing our curved-branch flush mount, a member of the Sway family. With adjustable CCT options and a sleek finish, this fixture effortlessly combines modern style and functionality—a welcome touch to any space.

NEW

2700k 3000k 3500k 4000k 5000k

COLOR TEMPERATURE

DRY

ETL Intertek



Model	Size	Watts	Delivered lumens	CRI	Color °T	Voltage
W3FM-CC	20"	20 W	880 lm	80	2700, 3000, 3500, 4000, 5000 K	120 V

Specifications

Over 50,000 hours of service life
 Switch-selectable CCT: 2700 K/3000 K/
 3500 K/4000 K/5000 K
 Integrated dimmable driver
 Suitable for dry locations
 Canopy mount on 4" octagon
 junction box
 Refer to website for dimmer compatibility
 5-year warranty

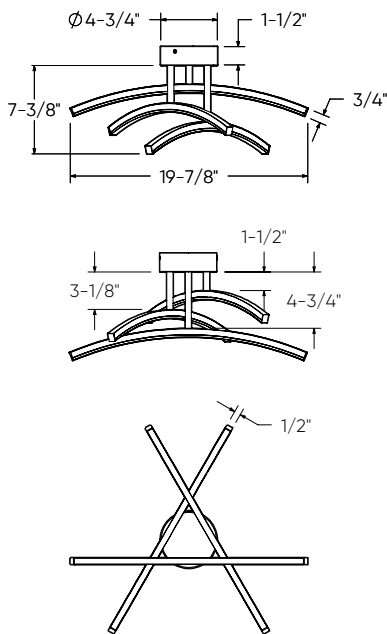
Finish

- BK Black
- GD Gold

Note

Other color temperatures, finishes, and voltage options are available but may require minimum order quantities (MOQs) and longer lead times. Please contact your DALI representative for more information.

W3FM-CC



Asterisk flush mount

Presenting another addition to the Asterisk collection—a clean, modern, three-armed flush mount fixture that adds a touch of contemporary elegance to any room.

NEW

2700k 3000k 3500k 4000k 5000k

COLOR TEMPERATURE

DRY

ETL Intertek



Model	Size	Watts	Delivered lumens	CRI	Color °T	Voltage
SSFM20-CC	20"	15 W	1060 lm	80	2700, 3000, 3500, 4000, 5000 K	120 V

Specifications

Over 50,000 hours of service life
 Switch-selectable CCT: 2700 K/3000 K/
 3500 K/4000 K/5000 K
 Integrated dimmable driver
 Suitable for dry locations
 Canopy mount on 4" octagon
 junction box
 Refer to website for dimmer compatibility
 5-year warranty

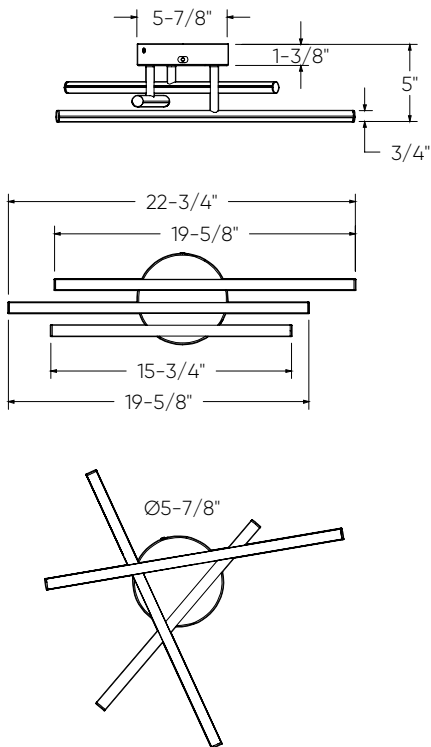
Finish

● BK Black

Note

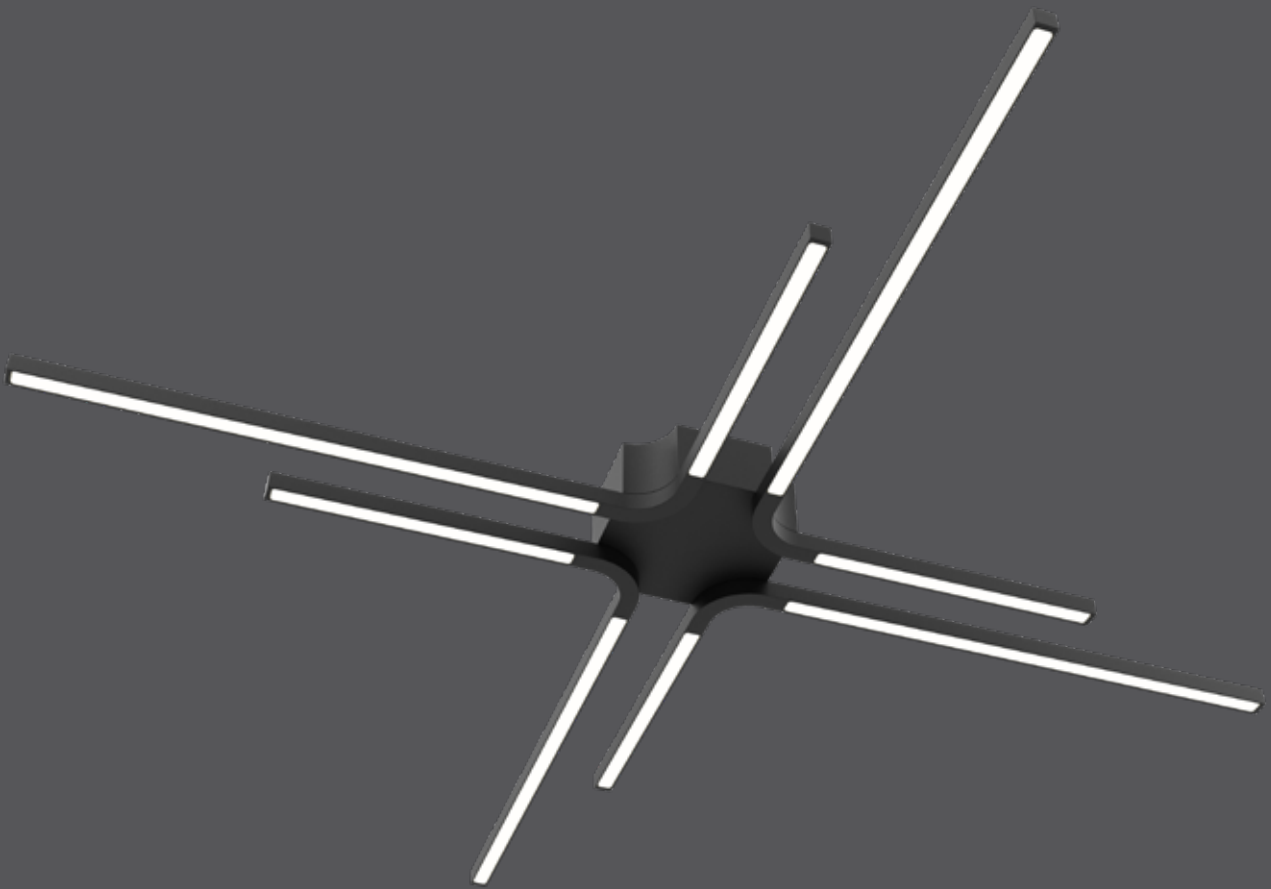
Other color temperatures, finishes, and voltage options are available but may require minimum order quantities (MOQs) and longer lead times. Please contact your DALI representative for more information.

SSFM20-CC



Stellar flush mount

For walls or ceilings this fun design will definitely have people talking. Our Stellar flush mount will add a warm sophisticated glow to your project.



Model	Size	Watts	Delivered lumens	CRI	Color °T	Voltage
STRFM	32"	40 W	2000 lm	90	3000 K	120 V

Specifications

Over 50,000 hours of service life
 Aluminum housing which serves as a highly efficient heat sink
 Frosted lens
 Integrated dimmable driver
 Suitable for dry locations
 Canopy mount on 4" octagon junction box
 Refer to website for dimmer compatibility
 5-year warranty

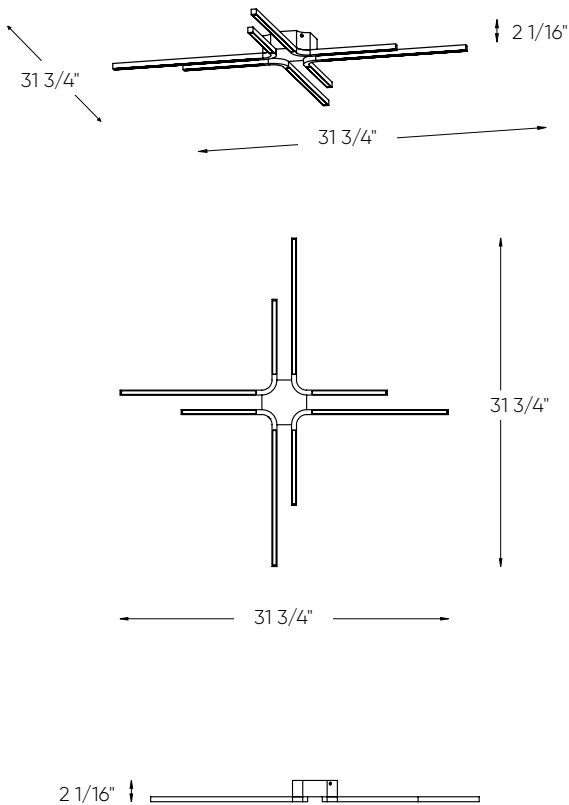
Finish

- **BK** Black
- **WH** White

Note

Other color temperatures, finishes, and voltage options are available but may require minimum order quantities (MOQs) and longer lead times. Please contact your DALI representative for more information.

STRFM



Pyra flush mount

Introduce a unique and modern flair to your space with our triangular flush mount, a distinctive member of the Pyra family that seamlessly blends contemporary design with unparalleled style.

NEW

2700k 3000k 3500k 4000k 5000k

COLOR TEMPERATURE

DRY

ETL Intertek



Model	Size	Watts	Delivered lumens	CRI	Color °T	Voltage
TRFM22-CC	22"	40 W	1420 lm	80	2700, 3000, 3500, 4000, 5000 K	120 V

Specifications

Over 50,000 hours of service life
 Switch-selectable CCT: 2700 K/3000 K/
 3500 K/4000 K/5000 K
 Integrated dimmable driver
 Suitable for dry locations
 Canopy mount on 4" octagon
 junction box
 Refer to website for dimmer compatibility
 5-year warranty

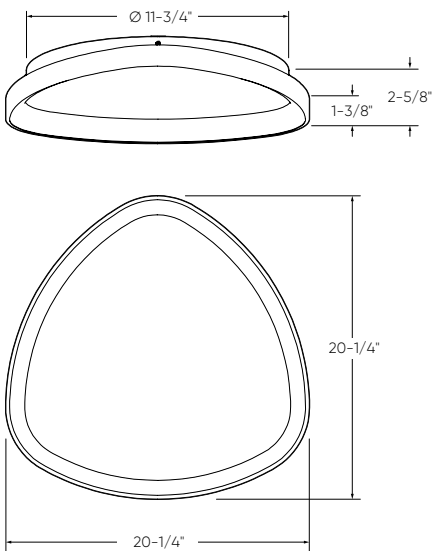
Finish

- **BK** Black
- **GD** Gold
- **WH** White

Note

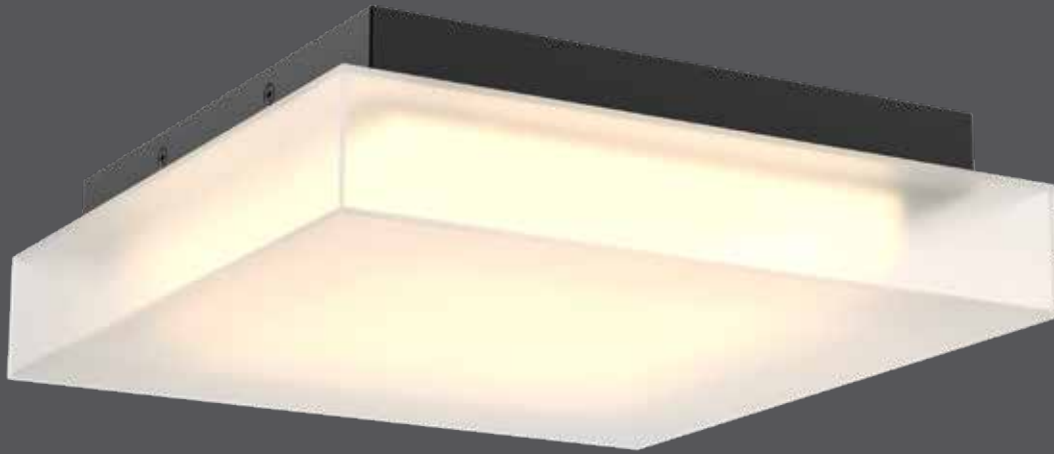
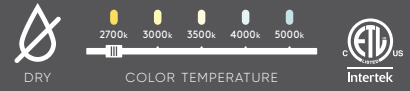
Other color temperatures, finishes, and voltage options are available but may require minimum order quantities (MOQs) and longer lead times. Please contact your DALI representative for more information.

TRFM22-CC



Misty

This new flush mount offers clean lines and a wonderful semi-opaque diffuser that adds flair without being the center of attention. It will definitely blend into any project you may have.



Model	Size	Watts	Delivered lumens	CRI	Color °T	Voltage
FUZ11-CC	11"	15 W	1000 lm	80	2700, 3000, 3500, 4000, 5000 K	120 V

Specifications

Over 50,000 hours of service life
 Integrated driver
 Minimal heat emission
 Die-cast aluminum housing
 Switch-selectable CCT: 2700 K/3000 K/
 3500 K/4000 K/5000 K
 Canopy mount on 4" octagonal
 junction box
 Suitable for dry locations
 Easy installation
 Refer to website for dimmer compatibility
 5-year warranty

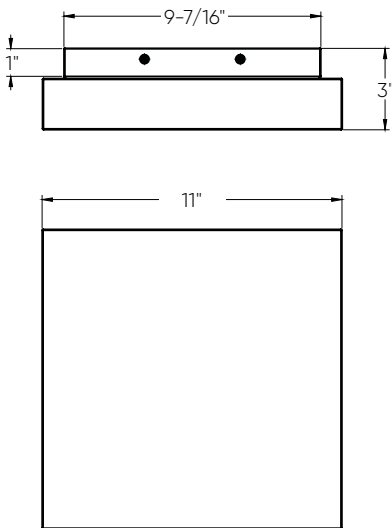
Finish

● **BK** Black

Note

Other color temperatures, finishes, and voltage options are available but may require minimum order quantities (MOQs) and longer lead times. Please contact your DALs representative for more information.

FUZ11-CC



Aurora

We have succeeded in creating a very unique solution with our LED flush mounts. They project a tremendous amount of light, and can also be dimmed to provide a back-lit halo that will gently illuminate your way during the night hours.

UPGRADE

DRY

ETL Intertek

2700k 3000k 3500k 4000k 5000k

COLOR TEMPERATURE

JA8 CERTIFIED



Model	Size	Watts	Delivered lumens	CRI	Color °T	Voltage
CFH12-CC	12"	26 W	1850 lm	90	2700, 3000, 3500, 4000, 5000 K	120 V

Specifications

Over 50,000 hours of service life
 Switch-selectable CCT: 2700 K/3000 K/
 3500 K/4000 K/5000 K
 Excellent color rendering
 Superior LED performance and lifespan
 Frosted lens
 Edge-lit technology
 Die-cast aluminum housing
 General lighting zone turns off in the
 lower dimming range, back lighting stays on
 Canopy mount on 4" octagon
 junction box
 Suitable for dry locations
 Refer to website for dimmer compatibility
 5-year warranty

Finish

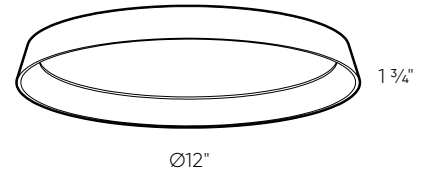
- **BK** Black
- **WH** White

Note

Other color temperatures, finishes, and voltage options are available but may require minimum order quantities (MOQs) and longer lead times. Please contact your DALI representative for more information.



CFH12-CC



Ora

A beautiful round glass flush mount that offers more than the eye can see. With five color temperatures to choose from, this is as versatile as can be. From hallways to bedrooms and bathrooms to basements. It will add flair to any room.



DAMP



COLOR TEMPERATURE



Model	Size	Watts	Delivered lumens	CRI	Color °T	Voltage
CFG13-CC	13"	32 W	1800 lm	90	2700, 3000, 3500, 4000, 5000 K	120 V

Specifications

Over 50,000 hours of service life
 Integrated driver
 Excellent color rendering
 Minimal heat emission
 Frosted glass lens
 Die-cast aluminum housing
 Switch-selectable CCT: 2700 K/3000 K/
 3500 K/4000 K/5000 K
 Canopy mount on 4" octagonal
 junction box
 Suitable for damp locations
 Easy installation
 Refer to website for dimmer compatibility
 5-year warranty

Finish

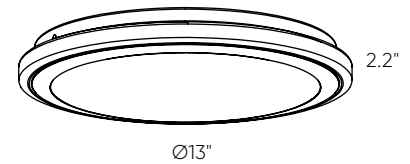
- **BK** Black
- **GD** Gold
- **SN** Satin Nickel

Note

Other color temperatures, finishes, and voltage options are available but may require minimum order quantities (MOQs) and longer lead times. Please contact your DALs representative for more information.



CFG13-CC



Fusion flush mount

The Fusion trimless 12- and 21-inch flush mount family showcase a harmonious union of minimalist design and expansive illumination, providing a blend of sophistication and functionality for contemporary spaces.

NEW

2700k 3000k 3500k 4000k 5000k

COLOR TEMPERATURE

WET

ETL Intertek



Model	Size	Watts	Delivered lumens	CRI	Color °T	Voltage
TLFM12-CC	12"	25 W	1880 lm	90	2700, 3000, 3500,	120 V
TLFM21-CC	21"	50 W	3300 lm		4000, 5000 K	

Specifications

Over 50,000 hours of service life
 Switch-selectable CCT: 2700 K/3000 K/
 3500 K/4000 K/5000 K
 Integrated dimmable driver
 Suitable for wet locations
 Canopy mount on 4" octagon
 junction box
 Refer to website for dimmer compatibility
 5-year warranty

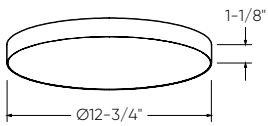
Finish

WH White

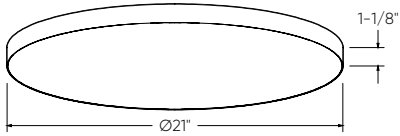
Note

Other color temperatures, finishes, and voltage options are available but may require minimum order quantities (MOQs) and longer lead times. Please contact your DALs representative for more information.

TLFM12-CC



TLFM21-CC

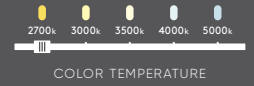


Delta

Our LED flush mounts incorporate edge-lit technology, eliminating hot spots and glare. With 4 sizes to choose from, every application is covered.



JA8
CERTIFIED*



*Models CFLEDR06, CFLEDR10, and CFLEDR14 only

Model	Size	Watts	Delivered lumens	CRI	Color °T	Voltage
CFLEDR06-CC	6"	11 W	700 lm	90	2700, 3000, 3500, 4000, 5000 K	120 V
CFLEDR10-CC	10"	17 W	1200 lm			
CFLEDR14-CC	14"	26 W	1700 lm			
CFLEDR18-CC	18"	30 W	2100 lm			

Specifications

Integrated dimmable driver
 Over 50,000 hours of service life
 Switch-selectable CCT: 2700 K/
 3000 K/3500 K/4000 K/5000 K in canopy
 Smooth 360° wide spread
 Minimal heat emission
 Frosted lens
 Edge-lit technology
 Cast aluminum construction
 Suitable for outdoor locations
 on covered ceilings only
 Refer to website for dimmer compatibility
 Ideal operating temperature:
 -20° to 40° C
 5-year warranty

Finish

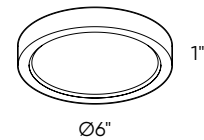
- **BK** Black
- **GD** Gold (6, 10, 14" models only)
- **SN** Satin Nickel
- **WH** White

Note

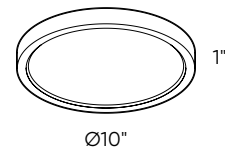
Other color temperatures, finishes, and voltage options are available but may require minimum order quantities (MOQs) and longer lead times. Please contact your DALI representative for more information.



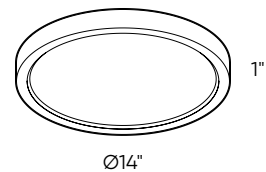
CFLEDR06-CC



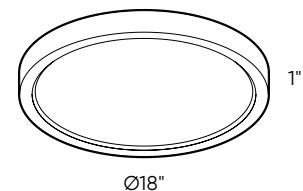
CFLEDR10-CC



CFLEDR14-CC



CFLEDR18-CC



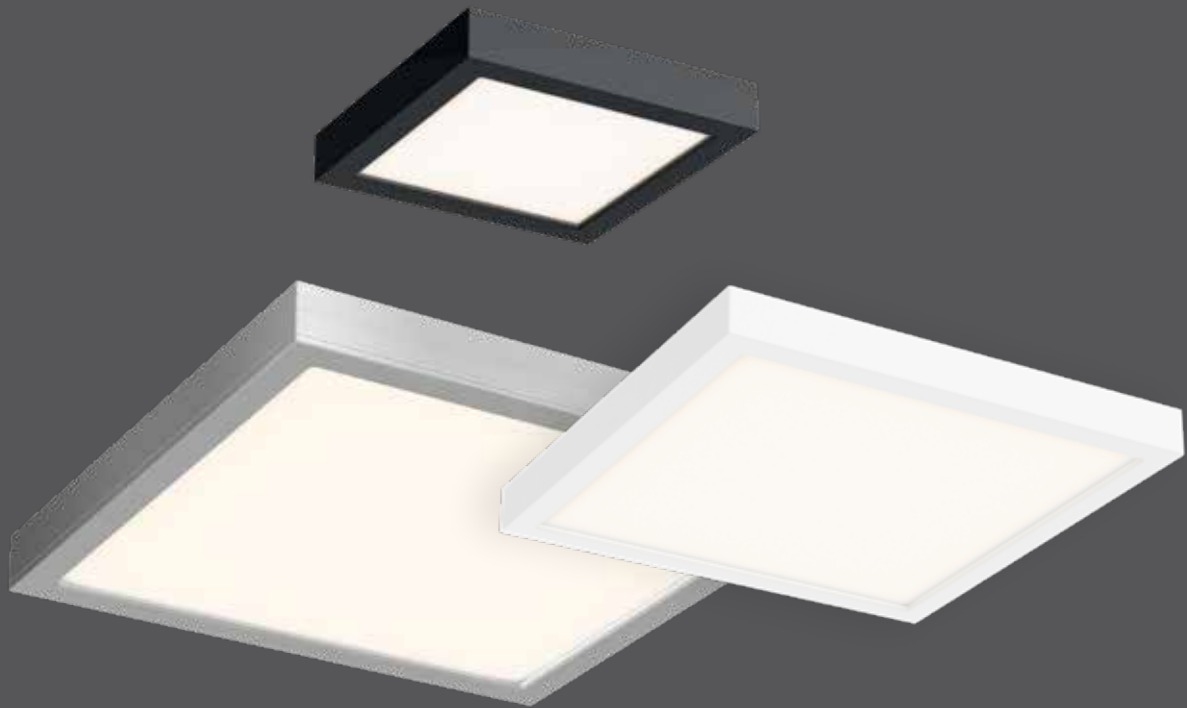
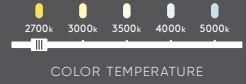
Delta square

Our LED flush mounts incorporate Edge-Lit technology, eliminating hot spots or glare. With 3 sizes to choose from, every application is covered.

UPGRADE



JA8
CERTIFIED*



Model	Size	Watts	Delivered lumens	CRI	Color °T	Voltage
CFLEDSQ06-CC	6"	11 W	700 lm	90	2700, 3000, 3500, 4000, 5000 K	120 V
CFLEDSQ10-CC	10"	17 W	1200 lm			
CFLEDSQ14-CC	14"	26 W	1700 lm			

Specifications

Integrated dimmable driver
 Over 50,000 hours of service life
 Switch-selectable CCT: 2700 K/
 3000 K/3500 K/4000 K/5000 K in canopy
 Smooth 360° wide spread
 Minimal heat emission
 Frosted lens
 Edge-lit technology
 Cast aluminum construction
 Suitable for outdoor locations
 on covered ceilings only
 Refer to website for dimmer compatibility
 Ideal operating temperature:
 -20° to 40° C
 5-year warranty

Finish

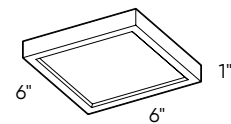
- **BK** Black
- **SN** Satin Nickel
- **WH** White

Note

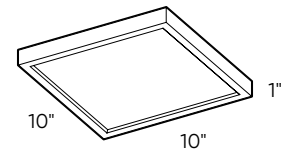
Other color temperatures, finishes, and voltage options are available but may require minimum order quantities (MOQs) and longer lead times. Please contact your DALI representative for more information.



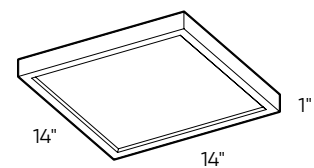
CFLEDSQ06-CC



CFLEDSQ10-CC



CFLEDSQ14-CC



Radiance

The Radiance family features a seamless fusion of refined metal craftsmanship, offering a sophisticated and understated focal point that smoothly integrates into any interior decor.

NEW

2700k 3000k 3500k 4000k 5000k

COLOR TEMPERATURE

WET

ETL Intertek



Model	Size	Watts	Delivered lumens	CRI	Color °T	Voltage
FMM09-CC	9"	14 W	1100 lm	80	2700, 3000, 3500,	120 V
FMM12-CC	12"	20 W	1800 lm		4000, 5000 K	

Specifications

Over 35,000 hours of service life
 Switch-selectable CCT: 2700 K/3000 K/
 3500 K/4000 K/5000 K
 Integrated dimmable driver
 Suitable for wet locations
 Suitable for outdoor locations
 on covered ceilings only
 Canopy mount on 4" octagon
 junction box
 Refer to website for dimmer compatibility
 5-year warranty

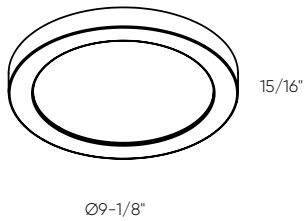
Finish

- **BK** Black
- **SN** Satin Nickel
- **WH** White

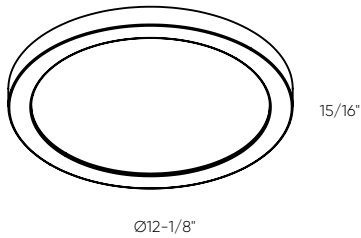
Note

Other color temperatures, finishes, and voltage options are available but may require minimum order quantities (MOQs) and longer lead times. Please contact your DALs representative for more information.

FMM09-CC



FMM12-CC



Prime

These 5-, 9-, and 12-inch flush mount fixtures form a versatile trio, each exuding contemporary design and providing practical illumination. The 5-inch model boasts a variant equipped with a motion sensor, adding a touch of modern convenience to your lighting experience.

NEW

2700k 3000k 3500k 4000k 5000k

COLOR TEMPERATURE

DAMP

MOTION SENSOR*

ETL US Intertek



*Model FMP05M-CC only

Model	Size	Watts	Delivered lumens	CRI	Color °T	Voltage
FMP05-CC	5"	9 W	580 lm	80	2700, 3000, 3500,	120 V
FMP09-CC	9"	14 W	1110 lm		4000, 5000 K	
FMP12-CC	12"	20 W	1800 lm			
FMP05M-CC*	5"	9 W	580 lm			

*Motion sensor

Specifications

Over 35,000 hours of service life
 Switch-selectable CCT: 2700 K/3000 K/
 3500 K/4000 K/5000 K
 Integrated dimmable driver
 Motion sensor (model FMP05M-3K only)
 Suitable for damp locations
 Canopy mount on 4" octagon
 junction box
 Refer to website for dimmer compatibility
 5-year warranty

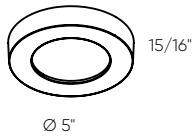
Finish

WH White

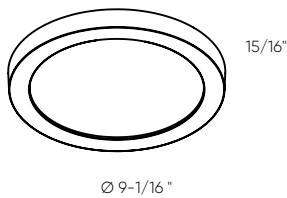
Note

Other color temperatures, finishes, and voltage options are available but may require minimum order quantities (MOQs) and longer lead times. Please contact your DALI representative for more information.

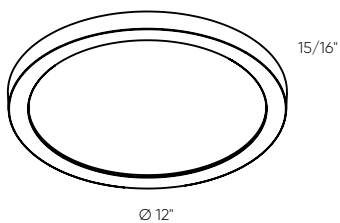
FMP05-CC, FMP05M-CC



FMP09-CC



FMP12-CC



PROFILE / P. 256



GENEVA / P. 266



Midnight

The 24-inch indirect linear wall sconce emanates a soft, ambient glow, elegantly transforming any space with its sleek design. Get creative with its versatile mounting options, allowing it to be installed in a clock-like manner, offering a customizable lighting solution.

NEW

2700k 3000k 3500k 4000k 5000k

COLOR TEMPERATURE

WET

ADA COMPLIANT

ETL Intertek



Model	Size	Watts	Delivered lumens	CRI	Color °T	Voltage
RWS24-CC	24"	6 W	400 lm	90	2700, 3000, 3500, 4000, 5000 K	120 V
RWS48-CC	48"	14 W	900 lm			
RWS60-CC	60"	17 W	1100 lm			

Specifications

Over 50,000 hours of service life
 Switch-selectable CCT: 2700 K/3000 K/
 3500 K/4000 K/5000 K
 Integrated dimmable driver
 Suitable for wet locations
 Wall mount on 4" octagon
 junction box
 Refer to website for dimmer compatibility
 5-year warranty

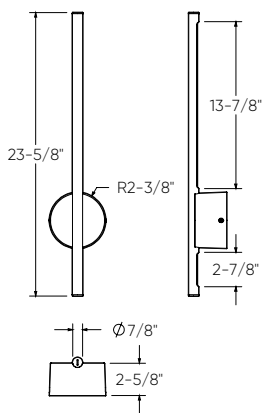
Finish

● **BK** Black

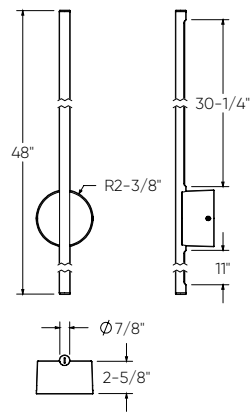
Note

Other color temperatures, finishes, and voltage options are available but may require minimum order quantities (MOQs) and longer lead times. Please contact your DALI representative for more information.

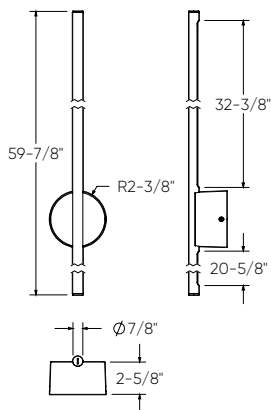
RWS24-CC



RWS48-CC




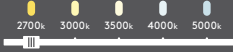
RWS60-CC




Gemini

The Gemini is new to our exterior collection. It is its simplicity which makes this luminaire so special - an unobtrusive, yet striking design that blends in perfectly with big architectural features.

NEW  WET

 2700k 3000k 3500k 4000k 5000k
COLOR TEMPERATURE

ADA COMPLIANT 



Model	Size	Watts	Delivered lumens	CRI	Color °T	Voltage
SWS48-CC	48"	40 W	1300 lm	90	2700, 3000, 3500, 4000, 5000 K	120 V

Specifications

Over 50,000 hours of service life
 Switch-selectable CCT: 2700 K/3000 K/
 3500 K/4000 K/5000 K
 Made of extruded aluminum
 Unique left/right lighting output
 Superior color consistency
 Integrated dimmable driver
 ADA compliant
 Suitable for wet locations
 Ideal operating temperature:
 -20° to 40° C
 Refer to website for dimmer compatibility
 5-year warranty

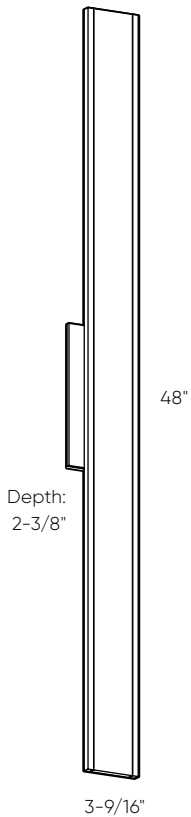
Finish

● **BK** Black

Note

Other color temperatures, finishes, and voltage options are available but may require minimum order quantities (MOQs) and longer lead times. Please contact your DALI representative for more information.

SWS48-CC





PYRA / P. 230

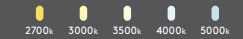


Profile

Love at first sight, guaranteed. This will not only give you up and down lighting but also central through a delicate acrylic opening. Want to adapt your lighting to your environment? No problem. This wall mount has five color temperatures to choose from which makes it ideal for city or country living.



WET



COLOR TEMPERATURE



Model	Size	Watts	Delivered lumens	CRI	Color °T	Voltage
LWJ08-CC	8"	10 W	390 lm	90	2700, 3000, 3500, 4000, 5000 K	120 V
LWJ16-CC	16"	20 W	760 lm			
LWJ24-CC	24"	45 W	2345 lm			

Specifications

Made of extruded aluminum
 Fully sealed light engine
 Over 50,000 hours of service life
 Unique up, down, and center lighting output
 Low profile design
 Switch-selectable CCT: 2700 K/3000 K/
 3500 K/4000 K/5000 K
 Superior color consistency
 Integrated dimmable driver
 ADA compliant

Suitable for wet locations
 Refer to website for dimmer compatibility
 Ideal operating temperature:
 -20° to 40° C
 5-year warranty

Finish

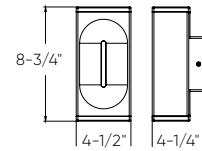
- **BK** Black
- **WH** White (LWJ16-CC only)

Note

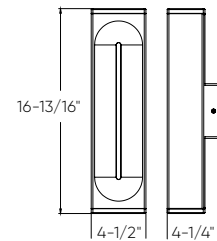
Other color temperatures, finishes, and voltage options are available but may require minimum order quantities (MOQs) and longer lead times. Please contact your DALIS representative for more information.



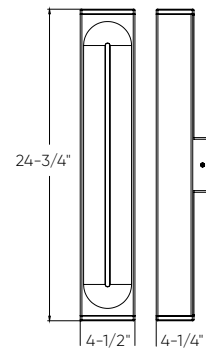
LWJ08-CC



LWJ16-CC

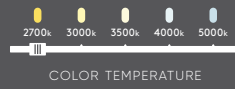


LWJ24-CC



Pinpoint wall

The minimalist design of this fixture will definitely add a touch of sophistication. From classic to modern exteriors to residential or commercial interiors, this sconce is a must see. With its up/down light and less than four inch profile, this is discretion at its finest without compromising on performance.



ADA
COMPLIANT



Model	Size	Watts	Delivered lumens	CRI	Color °T	Voltage
MSLWALL-CC	18"	15 W	760 lm	90	2700, 3000, 3500, 4000, 5000 K	120 V

Specifications

Made of extruded aluminum
 Fully sealed light engine
 Over 50,000 hours of service life
 Unique up/down lighting output
 Low profile design
 Switch-selectable CCT: 2700 K/3000 K/
 3500 K/4000 K/5000 K
 Superior color consistency
 Integrated dimmable driver
 ADA compliant

Suitable for wet locations
 Refer to website for dimmer compatibility
 Ideal operating temperature:
 -20° to 40° C
 5-year warranty

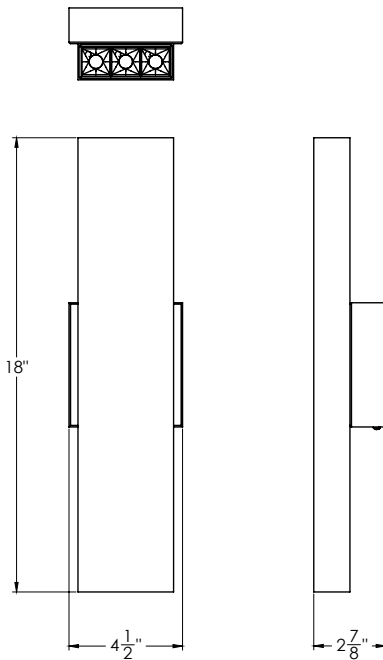
Finish

● **BK** Black

Note

Other color temperatures, finishes, and voltage options are available but may require minimum order quantities (MOQs) and longer lead times. Please contact your DALs representative for more information.

MSLWALL-CC



Aden

The key design element of our LED cylinder is the removable lens. This feature allows for three distinctive styles during installation.



ADA
COMPLIANT



JA8
CERTIFIED



Model	Size	Watts	Delivered lumens	CRI	Color °T	Voltage
LEDWALL-A	11-3/4"	29 W	2100 lm	90	3000 K	120 V - 277 V

Specifications

Cylindrical housing made of extruded aluminum

Fixture canopy made of die-cast aluminum

LED module mounted on an aluminum heat sink to maximize heat dissipation and extend product life

Cylinder comes with 3 optical options:

- Bright aluminum reflector that provides a 45° beam spread
- Frosted glass lens to allow a wider beam spread
- Die-cast aluminum cap to allow a down light only version

Compatible with TRIAC, ELV and 0-10 V dimmers

The LED board is sealed with a clear tempered glass lens to ensure weatherproof operation

Baked powder paint coat for a highly durable finish

JA8 certified

Energy Star certified

ADA compliant

Suitable for wet locations

Refer to website for dimmer compatibility

Ideal operating temperature: -20° to 40° C

5-year warranty

Finish

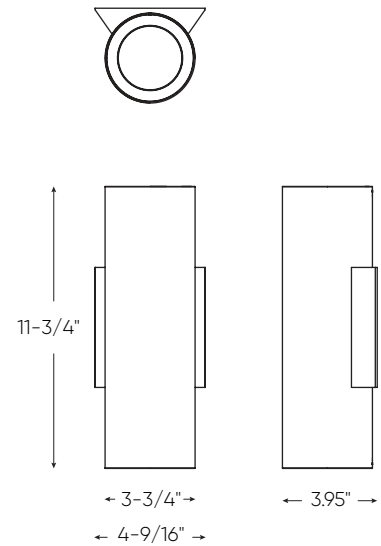
- **BK** Black
- **SG** Silver grey
- **WH** White

Note

Other color temperatures, finishes, and voltage options are available but may require minimum order quantities (MOQs) and longer lead times. Please contact your DALI representative for more information.



LEDWALL-A



Brooklyn

The key design element of our LED wall mount is the removable lens. This feature allows for three distinctive styles during installation.



Model	Size	Watts	Delivered lumens	CRI	Color °T	Voltage
LEDWALL-B	11-3/4"	29 W	2100 lm	90	3000 K	120 V - 277 V

Specifications

Square housing made of extruded aluminum
 Fixture canopy made of die-cast aluminum
 LED module is mounted on an aluminum heat sink to maximize heat dissipation and extend product life

The square wall mount comes with 3 optical options:

- Bright aluminum reflector that provides a 45° beam spread
- Frosted glass lens to allow a wider beam spread
- Die-caster aluminum cap to allow a down only version

Compatible with TRIAC, ELV and 0-10 V dimmers

The LED board is sealed with a clear tempered glass lens to assure weatherproof operation

Baked powder paint coat for a highly durable finish

Integrated dimmable driver

JA8 certified

Energy Star certified

ADA compliant

Suitable for wet locations

Refer to website for dimmer compatibility

Ideal operating temperature:

-20° to 40° C

5-year warranty

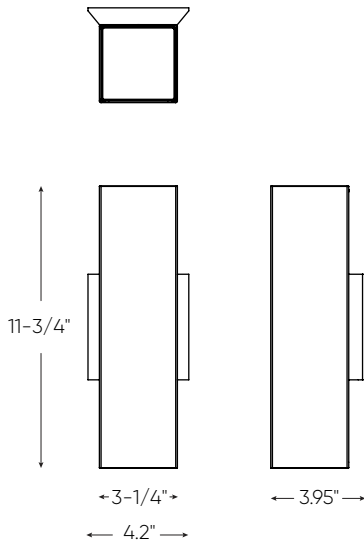
Finish

- **BK** Black
- **WH** White

Note

Other color temperatures, finishes, and voltage options are available but may require minimum order quantities (MOQs) and longer lead times. Please contact your DALI representative for more information.

LEDWALL-B



Edinburgh

European inspiration is made prevalent in this LED wall mount. Indirect lighting allows for a uniform and even light output that will enhance every application.



ADA
COMPLIANT



Model	Size	Watts	Delivered lumens	CRI	Color °T	Voltage
LEDWALL-E	13-3/4"	12 W	870 lm	90	3000 K	120 V

Specifications

Made of extruded aluminum
 Fully sealed light engine
 Over 50,000 hours of service life
 Unique up and down lighting output
 Low profile design
 Warm white light output
 Superior color consistency
 Integrated dimmable driver
 ADA compliant

Suitable for wet locations
 Refer to website for dimmer compatibility
 Ideal operating temperature:
 -20° to 40° C
 5-year warranty

Finish

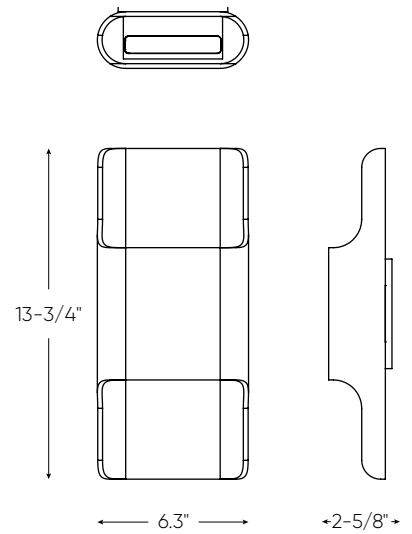
● BK Black

Note

Other color temperatures, finishes, and voltage options are available but may require minimum order quantities (MOQs) and longer lead times. Please contact your DALs representative for more information.

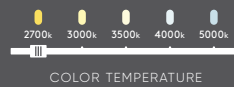


LEDWALL-E



Geneva

Imagine being able to manually control the amount of light spread coming from both the top and bottom of your lighting fixture. This is now possible with our LED wall mount.



Model	Size	Watts	Delivered lumens	CRI	Color °T	Voltage
LEDWALL-G-CC	4-1/2"	14 W	600 lm	90	2700, 3000, 3500, 4000, 5000 K	120 V

Specifications

Made of extruded aluminum
 Switch-selectable CCT: 2700 K/ 3000 K/3500 K/4000 K/5000 K in canopy
 Over 50,000 hours of service life
 Separately adjustable up and down lighting
 Easily adjustable lighting angle from 0° to 92°
 Low power consumption
 Superior color consistency
 Directional lighting
 Integrated dimmable driver
 ADA compliant
 Suitable for wet locations
 Refer to website for dimmer compatibility
 Ideal operating temperature: -20° to 40° C
 5-year warranty

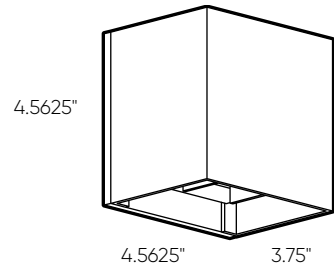
Finish

- **BK** Black
- **WH** White

Note

Other color temperatures, finishes, and voltage options are available but may require minimum order quantities (MOQs) and longer lead times. Please contact your DALs representative for more information.

LEDWALL-G-CC



Harlow

This distinctive LED wall-mounted sconce permeates a gentle multi-directional light. Its unique geometric shape and robust design will provide a dramatic flare to any indoor/outdoor space. Ideal for residential and commercial projects, its warm splashes of light create an impressive architectural and alluring touch.



Model	Size	Watts	Delivered lumens	CRI	Color °T	Voltage
LEDWALL-H	6"	15 W	900 lm	90	3000 K	120 V

Specifications

Made of extruded aluminum
 Fully sealed light engine
 Over 50,000 hours of service life
 Unique up and down lighting output
 Low profile design
 Warm white light output
 Superior color consistency
 Integrated dimmable driver
 ADA compliant
 Suitable for wet locations
 Refer to website for dimmer compatibility
 Ideal operating temperature:
 -20° to 40° C
 5-year warranty

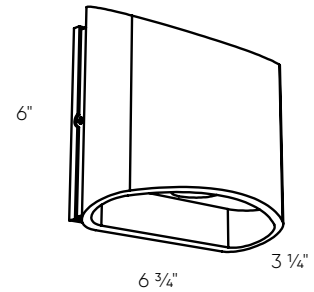
Finish

● BK Black

Note

Other color temperatures, finishes, and voltage options are available but may require minimum order quantities (MOQs) and longer lead times. Please contact your DALs representative for more information.

LEDWALL-H



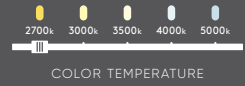
Alto

The Alto blends light functionality with an opportunity for artistic creation. Combine multiple fixtures to create infinite compositions or simply use alone, the choice is yours.

UPGRADE



ADA
COMPLIANT



Model	Size	Watts	Delivered lumens	CRI	Color °T	Voltage
SQS06-CC	6"	8.5 W	550 lm	90	2700, 3000, 3500,	120 V
SQS10-CC	10"	13 W	940 lm		4000, 5000 K	

Specifications

Cast aluminum construction
 Fully sealed light engine
 Over 50,000 hours of service life
 Black adhesive character set included
 Low profile design
 Switch-selectable CCT: 2700 K/3000 K/
 3500 K/4000 K/5000 K
 Superior color consistency
 Integrated dimmable driver
 ADA compliant
 Suitable for wet locations
 Refer to website for dimmer compatibility
 Ideal operating temperature:
 -20° to 40° C
 5-year warranty

Finish

- **BK** Black
- **WH** White

Accessories

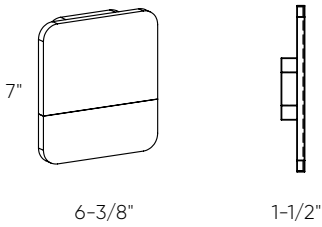
SQS06-NUM-BK
 An adhesive set of 50 numbers and 27 characters for the SQS06 wall sconce

SQS10-NUM-BK
 An adhesive set of 50 numbers and 27 characters for the SQS10 wall sconce

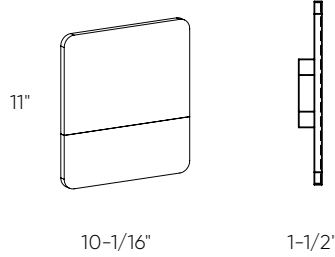
Note

Other color temperatures, finishes, and voltage options are available but may require minimum order quantities (MOQs) and longer lead times. Please contact your DALI representative for more information.

SQS06



SQS10



SQSXX-NUM

0123456789
0123456789
0123456789
0123456789
0123456789
-ABCDEFGH
IJKLMNOPQ
RSTUVWXYZ



Cubix

Imagine being able to manually control the amount of light spread coming out from both the top and bottom of your lighting fixture. This is now possible with our LED wall mount.



Model	Size	Watts	Delivered lumens	CRI	Color °T	Voltage
LEDWALLO01D	4"	7 W	540 lm	90	3000 K	120 V

Specifications

Over 50,000 hours of service life
 Cast aluminum construction
 Warm white light output
 Up and down lighting
 Easily adjustable lighting angle from 0° to 92°
 Low power consumption
 Superior color consistency
 Directional lighting
 Integrated dimmable driver
 Suitable for wet locations
 Refer to website for dimmer compatibility
 Ideal operating temperature: -20° to 40° C
 5-year warranty

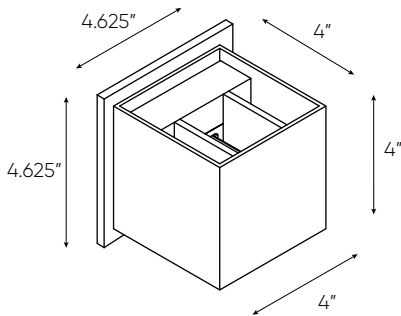
Finish

- **BK** Black
- **WH** White

Note

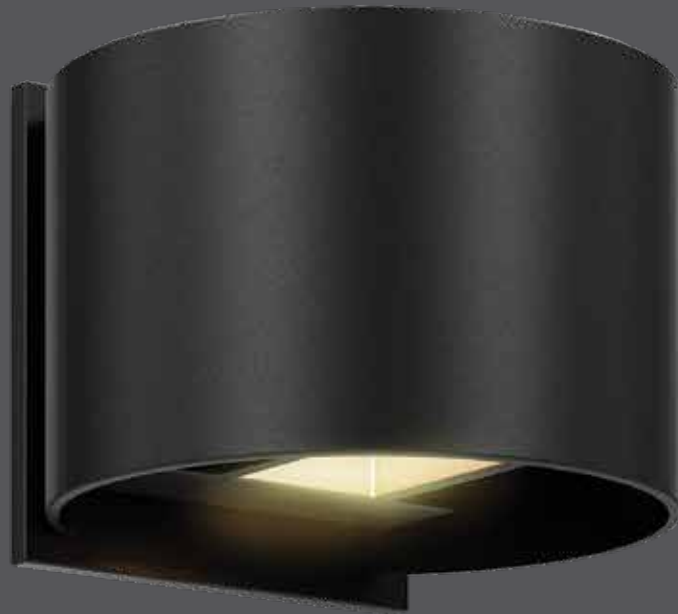
Other color temperatures, finishes, and voltage options are available but may require minimum order quantities (MOQs) and longer lead times. Please contact your DALs representative for more information.

LEDWALLO01D



Rondo

This innovative sleek designed LED wall mount provides the perfect solution for your lighting needs. By adjusting the directional panels, you can create the most original effect in your setting.



Model	Size	Watts	Delivered lumens	CRI	Color °T	Voltage
LEDWALL002D	4"	7 W	540 lm	90	3000 K	120 V

Specifications

- Over 50,000 hours of service life
- Cast aluminum construction
- Warm white light output
- Up and down lighting
- Easily adjustable lighting angle from 0° to 92°
- Low power consumption
- Superior color consistency
- Directional lighting
- Integrated dimmable driver
- Suitable for wet locations
- Refer to website for dimmer compatibility
- Ideal operating temperature: -20° to 40° C
- 5-year warranty

Finish

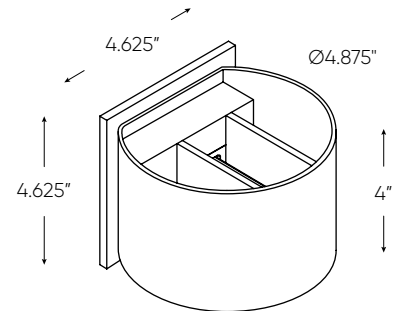
- **BK** Black

Note

Other color temperatures, finishes, and voltage options are available but may require minimum order quantities (MOQs) and longer lead times. Please contact your DALs representative for more information.



LEDWALL002D



Alto

This 6-inch step light, featuring a sturdy clear acrylic lens integrated into the fixture, illuminates stairs or steps with subtle grace. As a proud member of the Alto family of luminaires, it skillfully combines functionality and modern design to enhance both safety and aesthetics in any setting.

NEW

2200k 2700k 3000k 3500k 4000k

COLOR TEMPERATURE

WET

ETL Intertek



Model	Size	Watts	Delivered lumens	CRI	Color °T	Voltage
SQSTP-CC	6"	3 W	190 lm	90	2200, 2700, 3000, 3500, 4000 K	120 V

Specifications

Die-cast aluminum housing
 Over 50,000 hours of service life
 Switch-selectable CCT: 2200 K/2700 K/
 3000 K/3500 K/4000 K
 Integrated dimmable driver
 Suitable for wet locations
 Install in standard electrical junction box
 Refer to website for dimmer compatibility
 Ideal operating temperature:
 -20° to 40° C
 5-year warranty

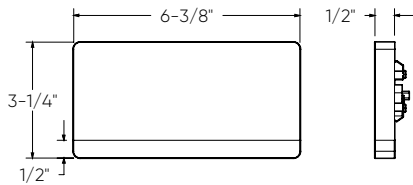
Finish

- **BK** Black
- **WH** White

Note

Other color temperatures, finishes, and voltage options are available but may require minimum order quantities (MOQs) and longer lead times. Please contact your DALI representative for more information.

SQSTP-CC



Echo

Inspiration will come in abundance once you try our LED accent step lights. Use them outdoors on your deck or on the stairs inside your home. You will be truly impressed by the effect!



Model	Size	Watts	Delivered lumens	CRI	Color °T	Voltage
LEDSTEP002D-CC	4-3/4"	3 W	75 lm	90	2200, 2700, 3000, 3500, 4000 K	120 V

Specifications

Die-cast aluminum housing
 Over 50,000 hours of service life
 Switch-selectable CCT: 2200 K/2700 K/
 3000 K/3500 K/4000 K
 Integrated dimmable driver
 Suitable for wet locations
 Install in standard electrical junction box
 Refer to website for dimmer compatibility
 Ideal operating temperature:
 -20° to 40° C

5-year warranty

Finish

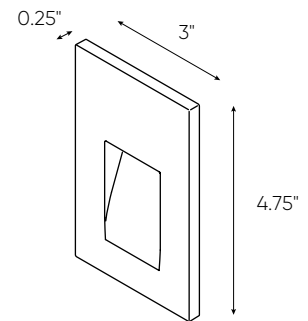
- **BK** Black
- **WH** White

Note

Other color temperatures, finishes, and voltage options are available but may require minimum order quantities (MOQs) and longer lead times. Please contact your DALs representative for more information.

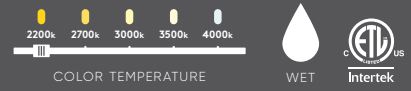


LEDSTEP002D-CC



Pearl

The simplicity of this design allows for the highest level of flexibility when choosing your application. Light glowing from all directions creates the perfect ambiance for every setting.



Model	Size	Watts	Delivered lumens	CRI	Color °T	Voltage
LEDSTEP004D-CC	3-1/4"	3 W	50 lm	90	2200, 2700, 3000, 3500, 4000 K	120 V

Specifications

Die-cast aluminum housing
 Over 50,000 hours of service life
 Switch-selectable CCT: 2200 K/2700 K/
 3000 K/3500 K/4000 K
 Integrated dimmable driver
 Suitable for wet locations
 Includes a junction box approved for
 concrete applications
 Refer to website for dimmer compatibility
 Ideal operating temperature:
 -20° to 40° C
 5-year warranty

Finish

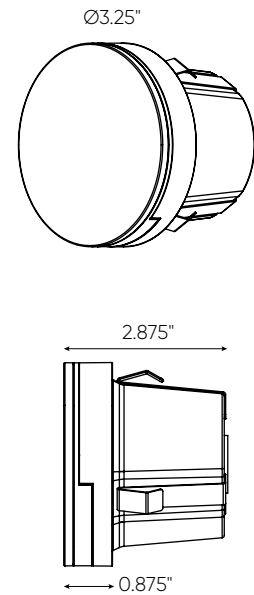
- **BK** Black
- **WH** White

Note

Other color temperatures, finishes, and voltage options are available but may require minimum order quantities (MOQs) and longer lead times. Please contact your DALs representative for more information.

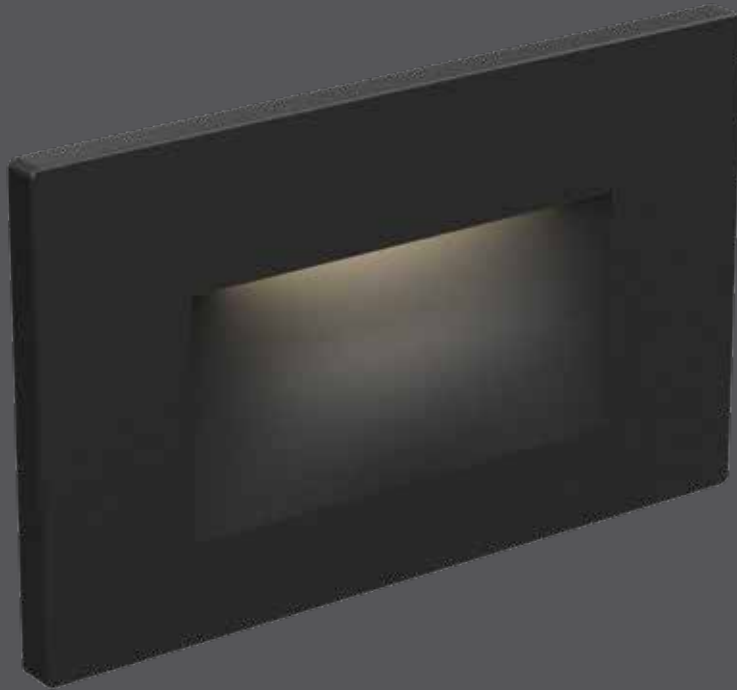


LEDSTEP004D-CC



Camber

The innovation of this design comes from its recessed installation. This step light will be perfectly integrated into stairs and can also be used on decks.



Model	Size	Watts	Delivered lumens	CRI	Color °T	Voltage
LEDSTEP005D-CC	4-3/4"	3 W	90 lm	90	2200, 2700, 3000, 3500, 4000 K	120 V

Specifications

Die-cast aluminum housing
 Over 50,000 hours of service life
 Switch-selectable CCT: 2200 K/2700 K/
 3000 K/3500 K/4000 K
 Integrated dimmable driver
 Suitable for wet locations
 Install in standard electrical junction box
 Refer to website for dimmer compatibility
 Ideal operating temperature:
 -20° to 40° C
 5-year warranty

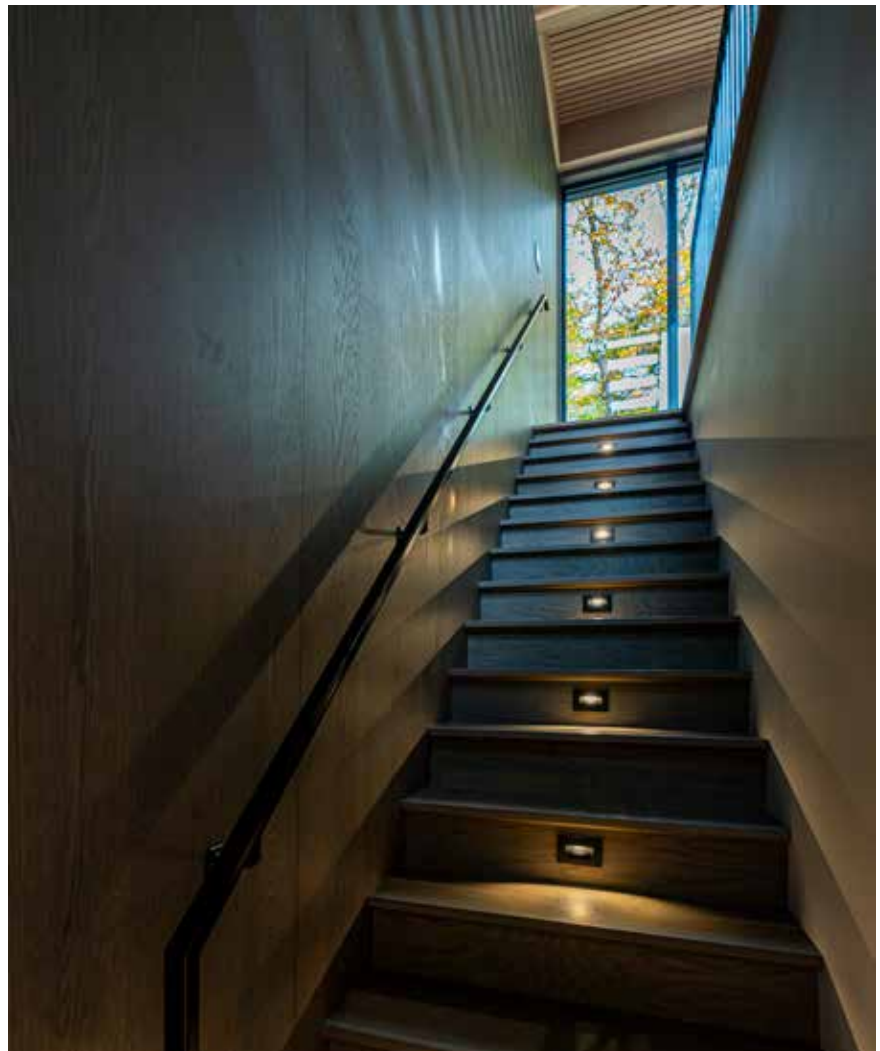
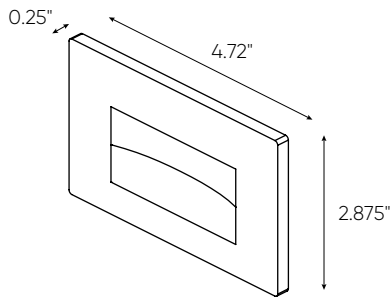
Finish

- **BK** Black
- **WH** White

Note

Other color temperatures, finishes, and voltage options are available but may require minimum order quantities (MOQs) and longer lead times. Please contact your DALs representative for more information.

LEDSTEP005D-CC



Ascend

This flat panel step light, designed for both indoor and outdoor use, combines modern elegance with robust functionality, casting a subtle and inviting glow to enhance safety and aesthetics in any space.

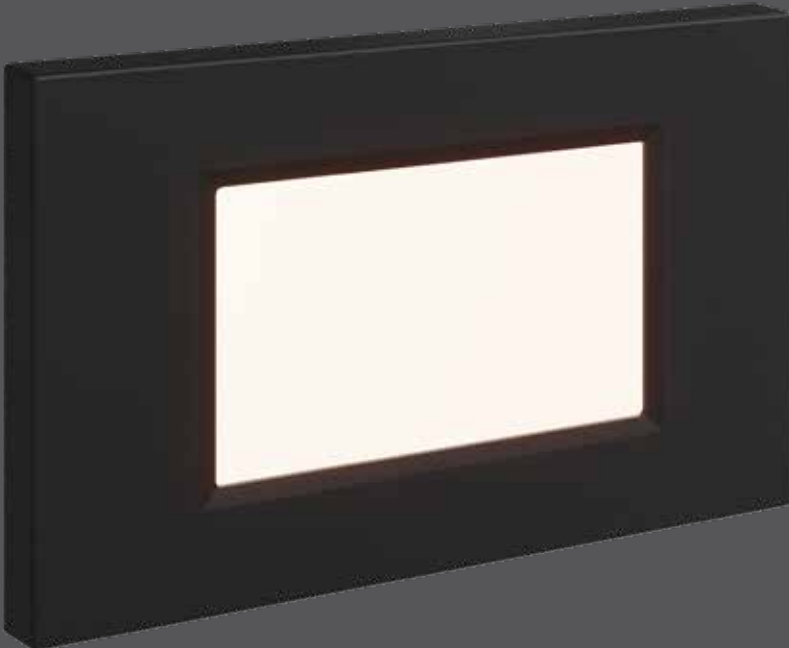
NEW

2200k 2700k 3000k 3500k 4000k

COLOR TEMPERATURE

WET

ETL Intertek



Model	Size	Watts	Delivered lumens	CRI	Color °T	Voltage
LSTP07-CC	4-3/4"	4 W	150 lm	90	2200, 2700, 3000, 3500, 4000 K	120 V

Specifications

Die-cast aluminum housing
 Over 50,000 hours of service life
 Switch-selectable CCT: 2200 K/2700 K/
 3000 K/3500 K/4000 K
 Integrated dimmable driver
 Suitable for wet locations
 Install in standard electrical junction box
 Refer to website for dimmer compatibility
 Ideal operating temperature:
 -20° to 40° C
 5-year warranty

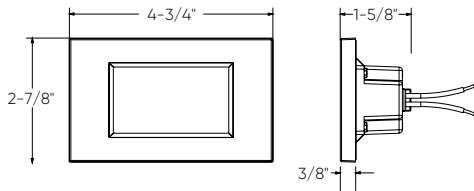
Finish

- **BK** Black
- **WH** White

Note

Other color temperatures, finishes, and voltage options are available but may require minimum order quantities (MOQs) and longer lead times. Please contact your DALs representative for more information.

LSTP07-CC







LANDSCAPE



289
CONNECTION
GUIDE



296
GLAM
RTL-3C



298
SLIM SPOT
LSS10-CC



300
SPOT
LSP3-CCL
LSP4-CCL



302
EDGE
LSQP-CC



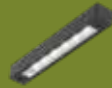
304
FLUX
LPP20-CC



306
BEACON
LPL26-CC



308
COLUMN
LRB20-CC
LRB30-CC



310
CONTOUR
LHS07-CC



312
STATURE
LEDPATH003D
LEDPATH004D



314
TRANSFORMERS
LTRP-60
LTR-300



292
SMART CONNECTION
GUIDE



318
CORE
DCP-TR60, DCP-TR200,
DCP-TR300



320
ORBIT
DCP-SPT6



322
GRAVITY
DCP-GRD4



324
HORIZON
DCP-FLD30



326
GAÏA
DCP-CPL24



328
ACUTE
DCP-45HP20



330
AXIS
DCP-STK20
DCP-STK50



332
MASON
DCP-BRK12



334
KAYU
DCP-RK10
DCP-RK18



336
FLEX
DCP-NFTAP5M



338
ORION
DCP-STG48



340
ACCESSORIES

How to create

A low-voltage landscape lighting plan

The three main components



A. Low-voltage transformer

- The power supply for your system
- Usually mounted near or on the house that is plugged into a regular outdoor-rated GFCI electrical outlet.

**Avoid mounting the transformer in shady areas, this could interfere with the "dusk-to-dawn" photoelectric cell.*

**Should be installed at least 36" (3 feet) off the ground.*



B. Landscape lighting fixtures

- Integrated LED spot lights, path lights, and bollards.
- Powered by the transformer

**When you choose lights, add up the total wattage they consume. You'll need this number for choosing other parts of your landscape lighting system.*



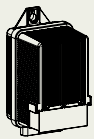
C. Landscape lighting wire

- The wire connecting the transformer to the light fixtures.
- Rated according to the size of its conductor (gauge)

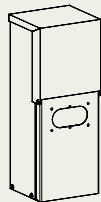
**A 12-gauge wire is larger and can handle more wattage than a 14-gauge wire.*

**Selecting the right wire size is important and will prevent any issues down the road.*

Transformers

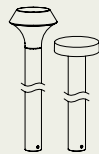


60W



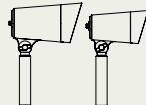
300W

Path lights



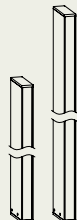
These fixtures aren't limited to paths. When mounted in gardens, they provide a gentle glow that lights a small surrounding area of plants, rock, or mulch.

Spot lights



Use spotlights to make trees, plants, shrubbery, or a home's architectural features stand out.

Bollards



Use these lights to enhance the look of your yard while making walkways obvious at night.

Landscape wire



Versatile 12, 14, and 16 gauge low-voltage wire for spot lights, path lights, and bollards.



Mix it up! Different types of fixtures can be connected together.

The four steps for an LED landscape installation

1. Map out a plan

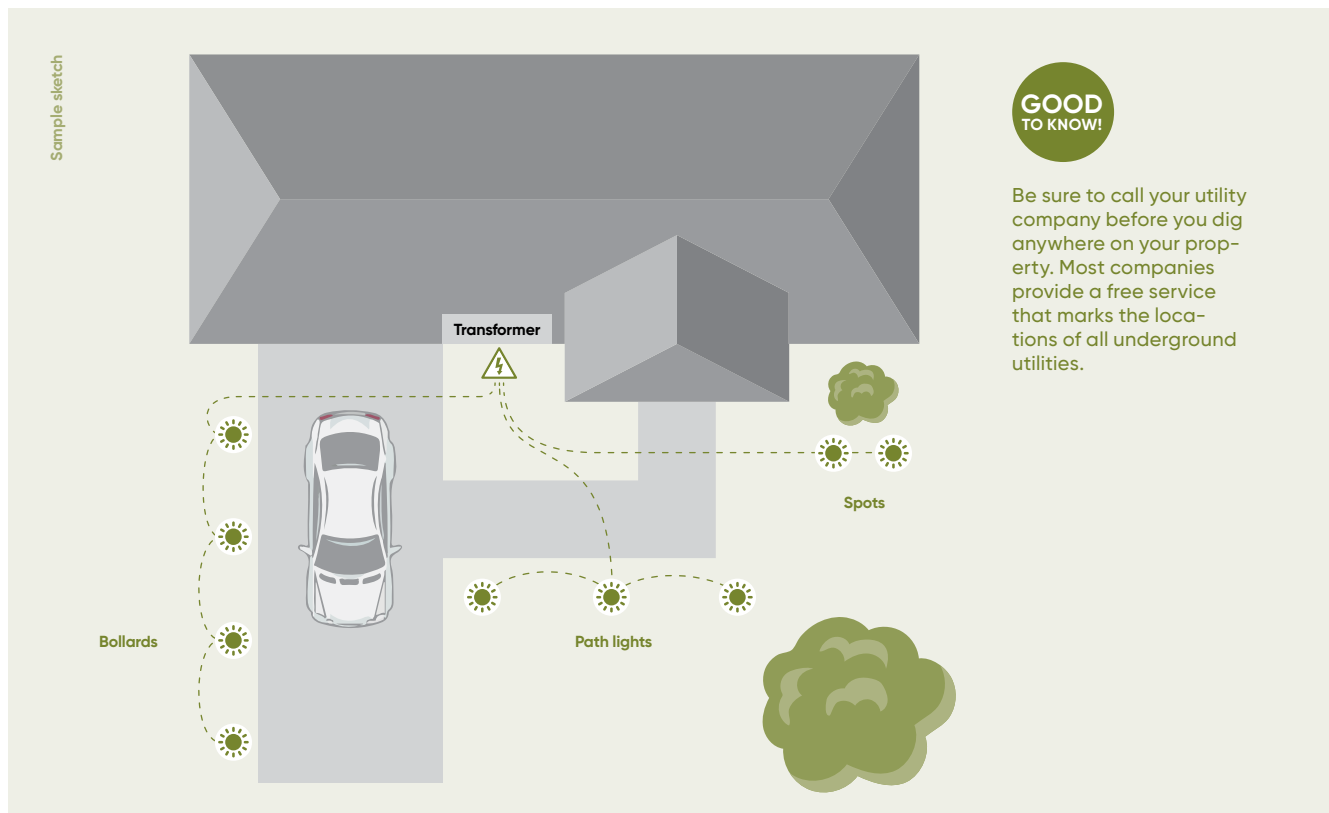
- Start your layout by creating a sketch of your property.
- Be accurate with dimensions to help estimate distances for wire runs.
- Try sketching and measuring as you walk around the property marking where each fixture will be placed.

2. Set fixture locations

- Mark their locations with small flags on your property and indicate their placement on your sketch.
- Measure distances between fixtures and write them down on your layout.

3. Choose a power supply

- To figure out which power supply is best, consider two things: the total wattage of the lights that you're purchasing and if you anticipate adding lights in the future.
- When you add up the wattage of all lights, you'll have a good idea of how powerful your transformer needs to be. However, the total wattage of your lights should be 20 percent less than the transformer's rated wattage.
- Once you've selected the right transformer, the best placement is usually next to the house in a hidden location, as close as possible to the fixtures.



4. Wiring

Now you need to provide power to the fixtures. The length of runs helps determine what gauge of wire to buy. As a general rule, try to keep the runs under 50 feet with a maximum of 8 fixtures per run. Lower loads per run means lower voltage drop.

What is Voltage Drop?

Voltage decreases as it moves through a run of wire and a series of lights. This means that, because each light is receiving a little less than the one before it, lights can appear dimmer toward the end of a series. A small loss is OK, but anything more than a 1.5-volt drop should be corrected.

Checklist

Before you get ready to install your lights, make sure you have all the tools and accessories required. Below is a basic list of what you might need.

- Landscape lights
- Transformer
- Wire
- Waterproof junction box to protect connections
- Flat-blade shovel or edger
- Wire cutters
- Wire strippers
- Voltage meter
- Tape measure
- Hardware to install transformer on house or post



Check your LED fixtures' voltage requirements. This plan is for use as a guide only to help you begin your lighting project. We strongly recommend checking the actual voltage at each fixture with a volt-meter before burying and finalizing your project.

Minimize voltage drop, and wasting wire, by using one of the wiring methods below:



Daisy Chain

Connects all fixtures in a linear fashion, where the first fixture connects to the transformer.

Tip:

Use the Daisy Chain method when fixtures are not grouped and can be easily connected in a chain.



T-Method

Similar to the Daisy Chain method, except the transformer connects to the middle of the chain.

Tip:

Use the T-Method when you built a Daisy Chain in the field and want to connect it to the transformer from the middle of the chain - at whatever point saves you the most wire.



Hub Method

All fixtures run through a hub junction and are connected to a single line from the transformer, ensuring each fixture receives an equal share of voltage.

Tip:

Use the Hub Method when fixtures are grouped in a small area such as in a garden bed.

How to create

A Dals Connect PRO Smart Landscape Plan



The main components



A. Low-voltage transformer

- The power supply for your system
- Usually mounted near or on the house that is plugged into a regular outdoor-rated GFCI electrical outlet.

** Avoid mounting the transformer in an area with poor Wi-Fi reception.*

** Should be installed at least 36" (3 feet) off the ground.*



B. Landscape lighting fixtures

- Dals Connect PRO integrated LED spot lights, path lights, flood light, step light, stick light or ground light.
- Powered by the transformer

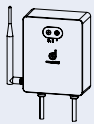
** When you choose lights, add up the total wattage they consume. You'll need this number for choosing the right transformer for your system.*

All Dals Connect PRO Landscape products come with a 6-foot extension wire and a T-connector for easy plug-and-play to facilitate installation.



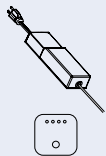
Mix it up! Different types of Dals Connect PRO fixtures can be paired together with your smart landscape

Transformers



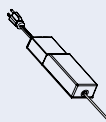
These 24V transformers come in three power capacities, 60W, 200W and 300W. An integrated PRO hub is also included.

Plug-in Transformer & Dals Connect PRO Hub



Use the 36W DC adapter paired with a PRO Hub for smaller landscape projects

Plug-in Transformer



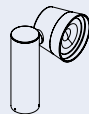
Use the 36W DC adapter paired without a hub for smaller landscape projects with local controls.

Path lights



These fixtures aren't limited to paths. When mounted in gardens, they provide a gentle glow that lights a small surrounding area of plants, rock, or mulch.

Spot lights



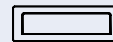
Use spotlights to make trees, plants, shrubbery, or a home's architectural features stand out.

Stick lights



Use these lights to enhance the look of your yard while making walkways obvious at night.

Step Light



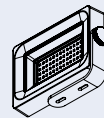
These fixtures can be surface mounted to almost anything to provide a soft glow to anything under it.

Rock Light



Bring magic to your landscape with these glowing rocks.

Flood Light



Use these lights to create wall washes or illuminate big portions of your yard

Ground Light



Use ground lights to illuminate trees and plants from below or decorate the floor of your deck.

The science behind your SMART landscape

1. Map out a plan

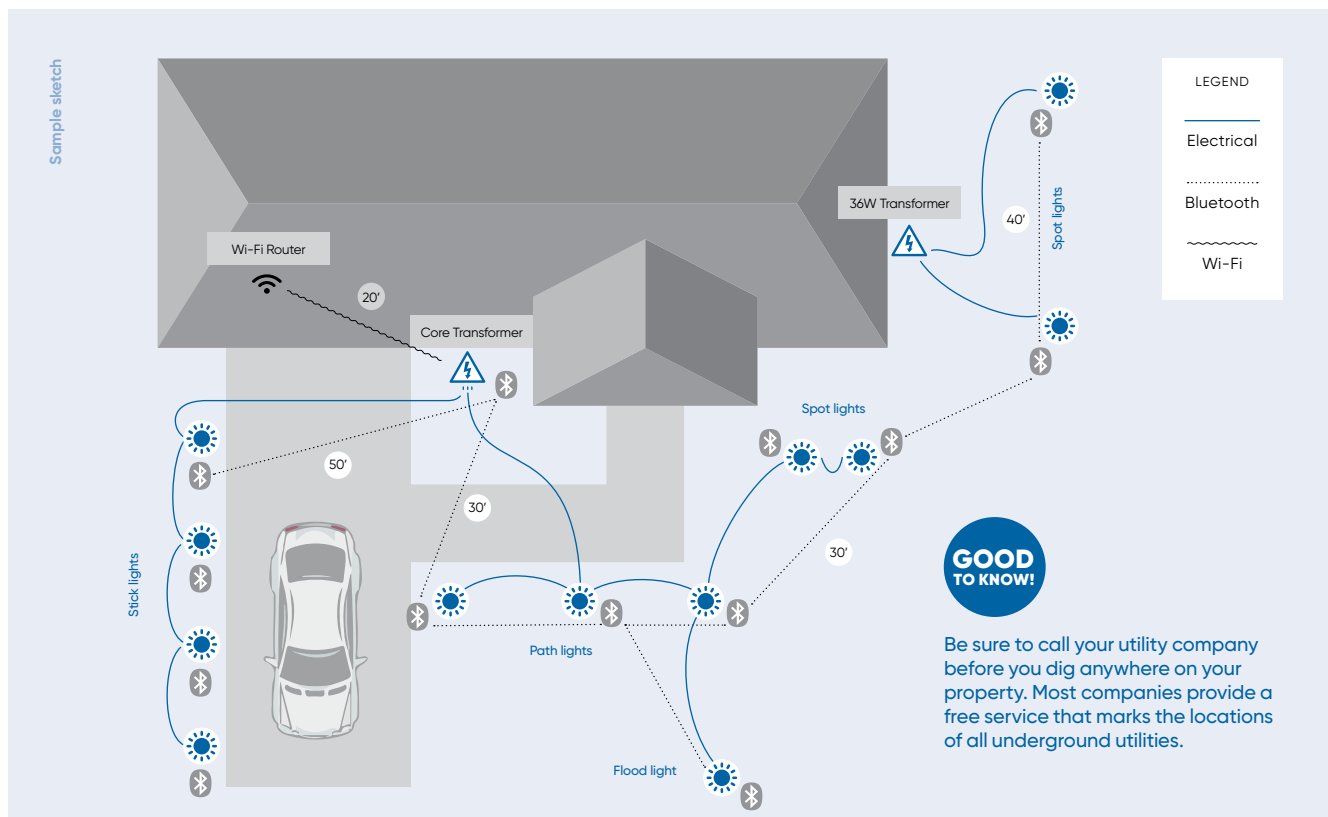
- Start your layout by creating a sketch of your property.
- Be accurate with dimensions to help estimate distances for wire runs.
- Try sketching and measuring as you walk around the property marking where each fixture will be placed.
- You can also mark the spots on your land where the Wi-Fi signal drops on your phone, this will help determine the preferred spot for your transformer placement.

2. Set fixture locations

- Mark their locations with small flags on your property and indicate their placement on your sketch.
- Measure distances between fixtures and write them down on your layout.
- Note how far away your Wi-Fi signal can reach.
- Check that all smart landscape products are within 30–50 feet of each other for maximum connectivity.
- We recommend pairing your smart landscape lights closer to the house first, and then move them to their desired location. An Internet connection is required for the first pairing.

3. Choose a power supply

- To figure out which power supply is best, consider two things: the total wattage of the lights that you're purchasing and if you anticipate adding lights in the future.
- When you add up the wattage of all lights, you'll have a good idea of how powerful your transformer needs to be. The total wattage cannot exceed the capacity of the transformer.
- Once you've selected the right transformer, the best placement is usually next to the house in a hidden location, as close as possible to the first fixture and to your Wi-Fi.



4. Wiring

To connect Dals Connect PRO smart landscape products, all you need is the included power extensions and T-connectors. Every connector has only 1 way to be plugged in, so making a mistake should be easy to avoid.

What is Voltage Drop?

Voltage decreases as it moves through a run of wire and a series of lights. This means that, because each light is receiving a little less than the one before it, lights can appear dimmer toward the end of a series. A small loss is OK, but anything more than a 2.5-volt drop should be corrected.

Checklist

Before you get ready to install your lights, make sure you have all the tools and accessories required. Below is a basic list of what you might need.

- Landscape lights
- Transformer
- Wire
- Tape measure
- Hardware to install transformer on house or post
- Your Wi-Fi password



Check your LED fixtures' wattage requirements. This plan is for use as a guide only to help you begin your lighting project. We strongly recommend planning your total load first and make sure you don't go over 100% load.

Easily wire your smart landscape with our plug & play wiring system.



Each fixture includes a 6 in. input lead, a T-connector, and a 6-foot extension cord. Everything you need to install fixtures 6 feet apart.

Interconnect

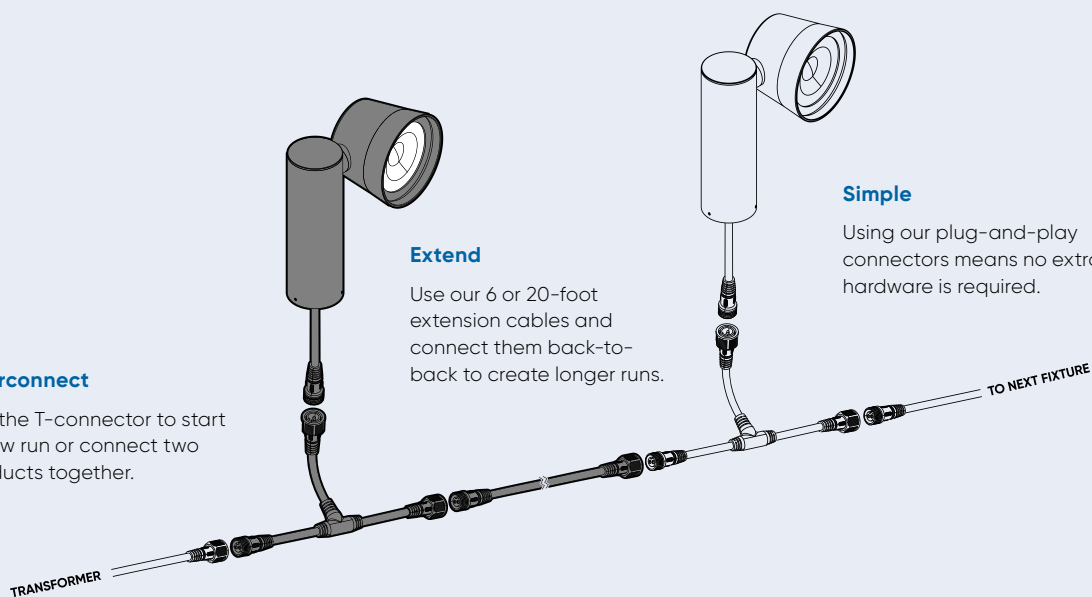
Use the T-connector to start a new run or connect two products together.

Extend

Use our 6 or 20-foot extension cables and connect them back-to-back to create longer runs.

Simple

Using our plug-and-play connectors means no extra hardware is required.



Glam

This rechargeable table lamp, featuring three color temperature settings and stepless dimming functionality, offers versatile lighting with a long-lasting 10-hour battery life.

NEW

2200k 2700k 3000k

COLOR TEMPERATURE

WET

ETL Intertek



Model	Size	Watts	Delivered lumens	CRI	Color °T	Voltage
RTL-3C	14"	2 W	220 lm	80	2200, 2700, 3000 K	5 V

Specifications

Over 50,000 hours of service life
 USB-C input/charge
 Switch-selectable CCT:
 2200 K/ 2700 K/ 3000 K
 98° beam angle
 Cast aluminum construction
 Smooth stepless dimming
 Suitable for wet locations
 5-year warranty

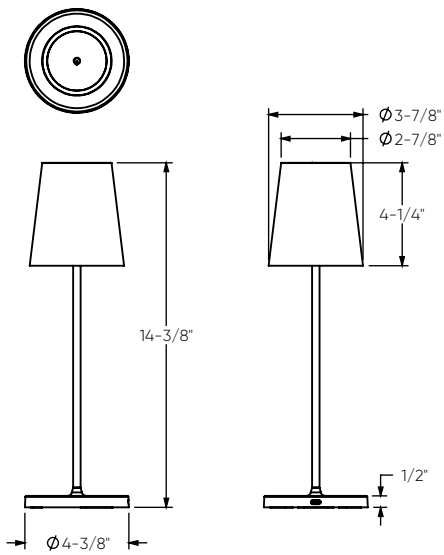
Note

Other color temperatures and finishes options are available but may require minimum order quantities (MOQs) and longer lead times. Please contact your DALs representative for more information.

Finish

- **BK** Black
- **SA** Sage green
- **WH** White

RTL-3C



Slim spot

Illuminate your outdoor landscape with precision using this 12V spotlight, featuring a narrow 10° beam angle for focused and impactful lighting.

NEW

2200k 2700k 3000k 3500k 4000k

COLOR TEMPERATURE

WET

ETL Intertek



Model	Size	Watts	Delivered lumens	CRI	Color °T	Voltage
LSS10-CC	5-1/2"	10 W	370 lm	80	2200, 2700, 3000, 3500, 4000 K	12 VAC

Specifications

Over 50,000 hours of service life
 12VAC input
 Ground stake included
 10° beam angle
 Cast aluminum construction
 Switch-selectable CCT: 2200 K/2700 K/
 3000 K/3500 K/4000 K
 Suitable for wet locations
 5-year warranty

Note

Low-voltage transformer required.
 Sold separately.

Other color temperatures and finishes options are available but may require minimum order quantities (MOQs) and longer lead times. Please contact your DALs representative for more information.

Finish

● **BK** Black

Power supplies

LTRP-60-BK
 60W, 120VAC 60Hz input
 12VAC output low-voltage transformer

LTR-300-BK
 300W, 120VAC 60Hz input
 12/13/14/15VAC output low-voltage transformer

Accessories

LAN-ACC-MS
 6-3/4" metal ground stake

LSP-EXT04
 4" extension arm

LSP-WM
 Spotlight wall mount adapters

LCBL-50-16
 50 feet of 16 gauge low-voltage wiring

LCBL-100-16
 100 feet of 16 gauge low-voltage wiring

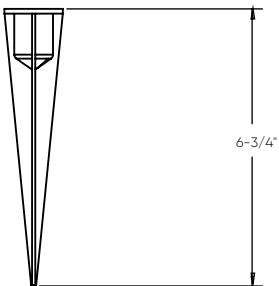
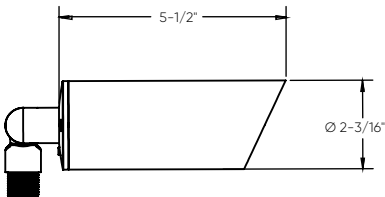
LCBL-50-14
 50 feet of 14 gauge low-voltage wiring

LCBL-100-14
 100 feet of 14 gauge low-voltage wiring

LCBL-100-12
 100 feet of 12 gauge low-voltage wiring

LCBL-200-12
 200 feet of 12 gauge low-voltage wiring

LSS10-CC



Spot

This durable, fully sealed 12V LED landscape spot is constructed of solid aluminum. It includes an integrated LED module that emits a cool, natural, or warm white light in multiple beam patterns, all selectable with a 5CCT switch. Can be rotated 180° and equipped with a glare shield for pinpoint accuracy. The landscape spotlight is great for gardens, tree uplighting, architectural lighting, and more.



Model	Size	Watts	Delivered lumens	CRI	Color °T	Voltage
LSP3-CCL	3"	10 W	500 lm	80	2200, 2700, 3000,	12 VAC
LSP4-CCL	4"	20 W	1000 lm		3500, 4000 K	

Specifications

Over 50,000 hours of service life
 12VAC input
 Switch-selectable CCT: 2200 K/2700 K/
 3000 K/3500 K/4000 K
 Easy-access CCT switch on
 back of spot
 Interchangeable 20°, 40°, and 90°
 beam angle lens
 180° swiveling head
 Cast aluminum construction
 Ground stake included
 Suitable for wet locations
 5-year warranty

Finish

● BK Black

Power supplies

LTRP-60-BK
 60W, 120VAC 60Hz input
 12VAC output low-voltage transformer

LTR-300-BK
 300W, 120VAC 60Hz input
 12/13/14/15VAC output low-voltage
 transformer

Note

Low-voltage transformer required.
 Sold separately.

Other color temperatures and finishes
 options are available but may require
 minimum order quantities (MOQs) and
 longer lead times. Please contact your
 DALs representative for more information.

Accessories

LAN-ACC-MS
 6-3/4" metal ground stake

LSP-EXT04
 4" extension arm

LSP-WM
 Spotlight wall mount adapters

LCBL-50-16
 50 feet of 16 gauge low-voltage wiring

LCBL-100-16
 100 feet of 16 gauge low-voltage wiring

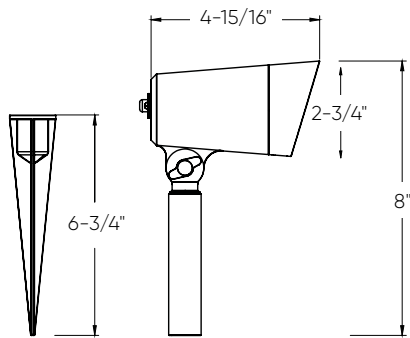
LCBL-50-14
 50 feet of 14 gauge low-voltage wiring

LCBL-100-14
 100 feet of 14 gauge low-voltage wiring

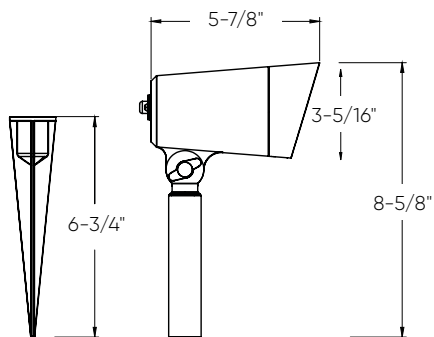
LCBL-100-12
 100 feet of 12 gauge low-voltage wiring

LCBL-200-12
 200 feet of 12 gauge low-voltage wiring

LSP3-CCL

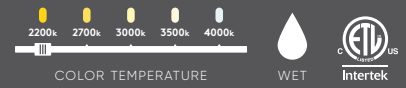


LSP4-CCL



Edge

A symmetrical luminaire made of rust-resistant aluminum and finished in a matte textured paint. Perfect for walkways, garden beds, or simply to direct the eye to some of your home's best features. Equipped with color-select technology that allows you to cast a particular color of light.



Model	Size	Watts	Delivered lumens	CRI	Color °T	Voltage
LSQP-CC	12"	3 W	265 lm	80	2200, 2700, 3000, 3500, 4000 K	12 VAC

Specifications

Over 50,000 hours of service life
 12VAC input
 Ground stake included
 90° beam angle
 Cast aluminum construction
 Switch-selectable CCT: 2200 K/2700 K/
 3000 K/3500 K/4000 K
 21" extension tube included
 Suitable for wet locations
 5-year warranty

Note

Low-voltage transformer required.
 Sold separately.

Other color temperatures and finishes options are available but may require minimum order quantities (MOQs) and longer lead times. Please contact your DALI representative for more information.

Finish

● **BK** Black

Power supplies

LTRP-60-BK

60W, 120VAC 60Hz input
 12VAC output low-voltage transformer

LTR-300-BK

300W, 120VAC 60Hz input
 12/13/14/15VAC output low-voltage transformer

Accessories

LCBL-50-16

50 feet of 16 gauge low-voltage wiring

LCBL-100-16

100 feet of 16 gauge low-voltage wiring

LCBL-50-14

50 feet of 14 gauge low-voltage wiring

LCBL-100-14

100 feet of 14 gauge low-voltage wiring

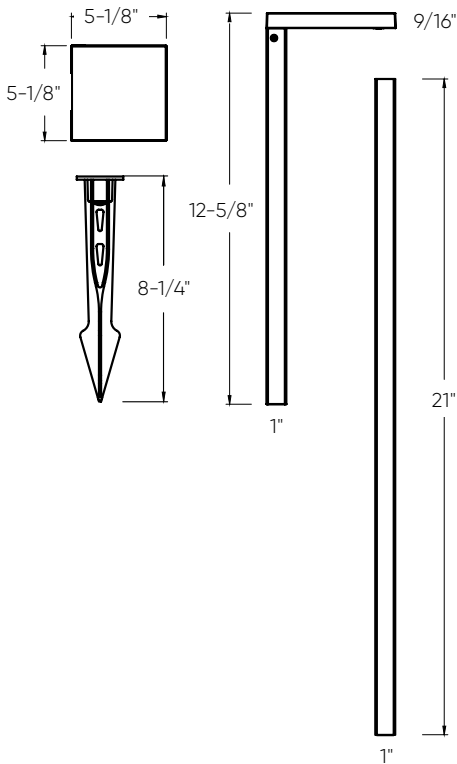
LCBL-100-12

100 feet of 12 gauge low-voltage wiring

LCBL-200-12

200 feet of 12 gauge low-voltage wiring

LSQP-CC



Flux

Add visual interest to your garden with the Flux outdoor path light. A 360° light spread and cast aluminum construction with a powder-coated finish fits best along pathways, garden beds, and walkways.



Model	Size	Watts	Delivered lumens	CRI	Color °T	Voltage
LPP20-CC	20"	8 W	360 lm	80	2200, 2700, 3000, 3500, 4000 K	12 VAC

Specifications

Over 50,000 hours of service life
 12VAC input
 Ground stake included
 93° beam angle
 Frosted lens
 Can be mounted to wood or concrete (screws not included)
 Cast aluminum construction
 Switch-selectable CCT: 2200 K/2700 K/3000 K/3500 K/4000 K
 Suitable for wet locations
 5-year warranty

Note

Low-voltage transformer required.
 Sold separately.

Other color temperatures and finishes options are available but may require minimum order quantities (MOQs) and longer lead times. Please contact your DALI representative for more information.

Finish

● **BK** Black

Power supplies

LTRP-60-BK
 60W, 120VAC 60Hz input
 12VAC output low-voltage transformer

LTR-300-BK
 300W, 120VAC 60Hz input
 12/13/14/15VAC output low-voltage transformer

Accessories

LCBL-50-16
 50 feet of 16 gauge low-voltage wiring

LCBL-100-16
 100 feet of 16 gauge low-voltage wiring

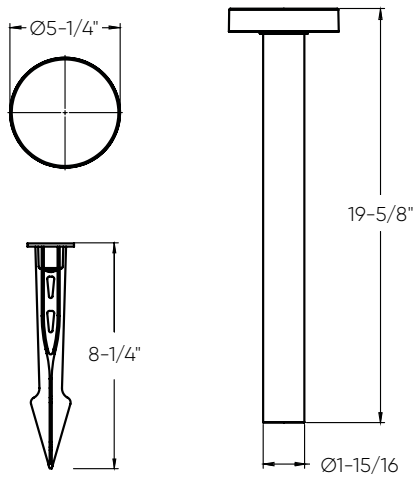
LCBL-50-14
 50 feet of 14 gauge low-voltage wiring

LCBL-100-14
 100 feet of 14 gauge low-voltage wiring

LCBL-100-12
 100 feet of 12 gauge low-voltage wiring

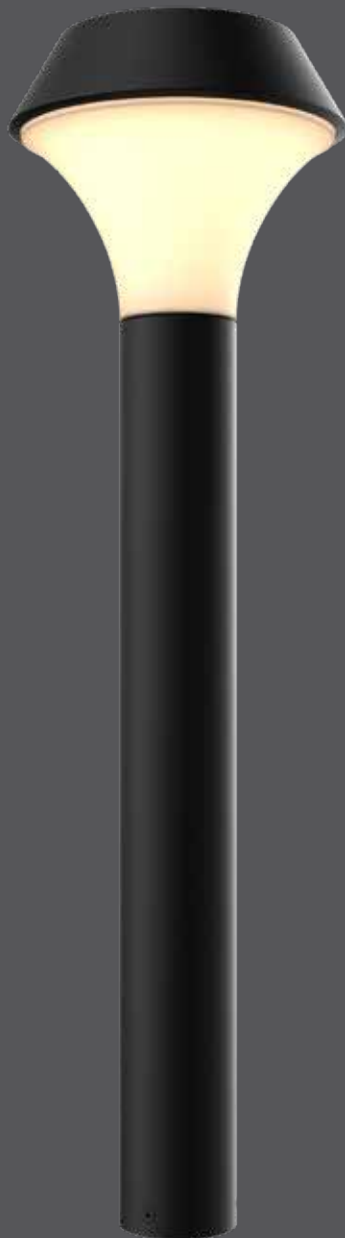
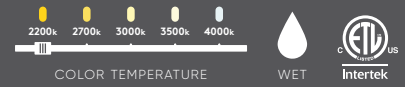
LCBL-200-12
 200 feet of 12 gauge low-voltage wiring

LPP20-CC



Beacon

The Beacon, a minimal light that creates a big impact. Light up garden beds, walkways, or driveways with this low-voltage LED fixture made of solid aluminum with a black powder-coated finish. The included ground spike allows this light to be placed effortlessly in any area of your yard.



Model	Size	Watts	Delivered lumens	CRI	Color °T	Voltage
LPL26-CC	26"	13 W	800 lm	80	2200, 2700, 3000, 3500, 4000 K	12 VAC

Specifications

Over 50,000 hours of service life
 12VAC input
 Ground stake included
 147° beam angle
 Frosted lens
 Can be mounted to wood or concrete (screws not included)
 Cast aluminum construction
 Switch-selectable CCT: 2200 K/2700 K/3000 K/3500 K/4000 K
 Suitable for wet locations
 5-year warranty

Note

Low-voltage transformer required.
 Sold separately.

Other color temperatures and finishes options are available but may require minimum order quantities (MOQs) and longer lead times. Please contact your DALI representative for more information.

Finish

● **BK** Black

Power supplies

LTRP-60-BK

60W, 120VAC 60Hz input
 12VAC output low-voltage transformer

LTR-300-BK

300W, 120VAC 60Hz input
 12/13/14/15VAC output low-voltage transformer

Accessories

LCBL-50-16

50 feet of 16 gauge low-voltage wiring

LCBL-100-16

100 feet of 16 gauge low-voltage wiring

LCBL-50-14

50 feet of 14 gauge low-voltage wiring

LCBL-100-14

100 feet of 14 gauge low-voltage wiring

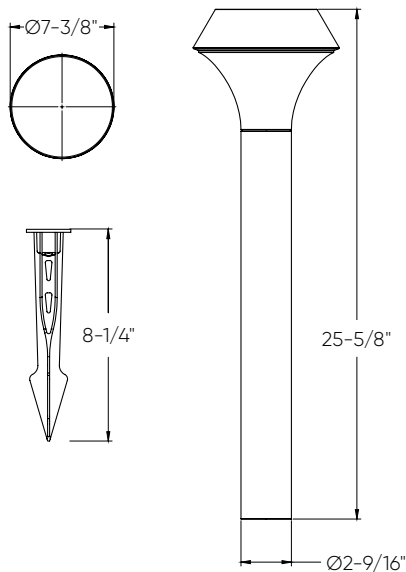
LCBL-100-12

100 feet of 12 gauge low-voltage wiring

LCBL-200-12

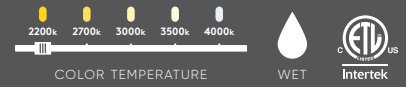
200 feet of 12 gauge low-voltage wiring

LPL26-CC



Column

The Column series, a robust rectangular bollard that features a minimalist design for the ultimate in urban sophistication. Constructed of solid aluminum, it provides a chic solution to eco-conscious homeowners.



Model	Size	Watts	Delivered lumens	CRI	Color °T	Voltage
LRB20-CC	20"	12 W	600 lm	80	2200, 2700, 3000,	12 VAC
LRB30-CC	30"	13 W	700 lm		3500, 4000 K	

Specifications

Over 50,000 hours of service life
 12VAC input
 Ground stake included
 109° beam angle
 Frosted lens
 Can be mounted to wood or concrete (screws not included)
 Cast aluminum construction
 Switch-selectable CCT: 2200 K/2700 K/3000 K/3500 K/4000 K
 Suitable for wet locations
 5-year warranty

Note

Low-voltage transformer required.
 Sold separately.

Other color temperatures and finishes options are available but may require minimum order quantities (MOQs) and longer lead times. Please contact your DALI representative for more information.

Finish

● **BK** Black

Power supplies

LTRP-60-BK

60W, 120VAC 60Hz input
 12VAC output low-voltage transformer

LTR-300-BK

300W, 120VAC 60Hz input
 12/13/14/15VAC output low-voltage transformer

Accessories

LCBL-50-16

50 feet of 16 gauge low-voltage wiring

LCBL-100-16

100 feet of 16 gauge low-voltage wiring

LCBL-50-14

50 feet of 14 gauge low-voltage wiring

LCBL-100-14

100 feet of 14 gauge low-voltage wiring

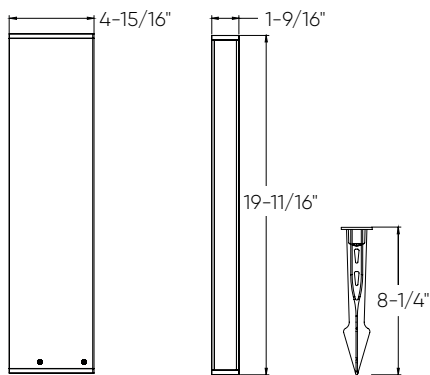
LCBL-100-12

100 feet of 12 gauge low-voltage wiring

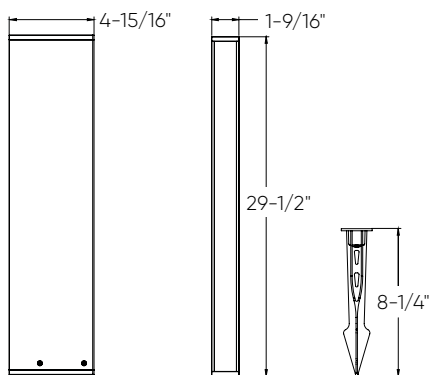
LCBL-200-12

200 feet of 12 gauge low-voltage wiring

LRB20-CC



LRB30-CC



Contour

The Contour's compact size ensures a discreet and unobtrusive appearance while providing ample illumination for small to medium-sized areas. Its sleek and modern design seamlessly integrates into hardscape elements such as walls, steps, and patios. Crafted with high-quality materials, this fixture is built to withstand the elements, ensuring long-lasting durability and performance.

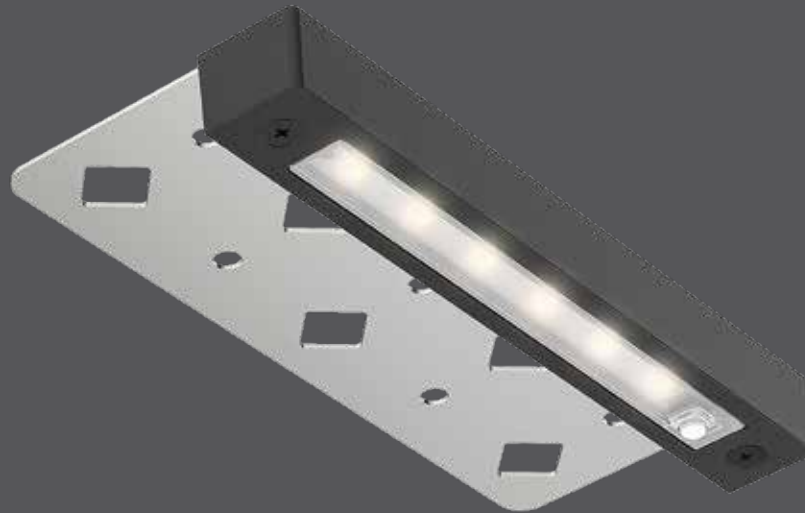
NEW

2200k 2700k 3000k 3500k 4000k

COLOR TEMPERATURE

WET

ETL Intertek



Model	Size	Watts	Delivered lumens	CRI	Color °T	Voltage
LHS07-CC	7"	3 W	200 lm	80	2200, 2700, 3000, 3500, 4000 K	12 VAC

Specifications

Over 50,000 hours of service life
 12VAC input
 110° beam angle
 Frosted lens
 Can be mounted to wood or concrete
 Aluminum construction
 Surface or recessed installation
 Switch-selectable CCT: 2200 K/2700 K/
 3000 K/3500 K/4000 K
 Suitable for wet locations
 5-year warranty

Note

Low-voltage transformer required.
 Sold separately.

Other color temperatures and finishes options are available but may require minimum order quantities (MOQs) and longer lead times. Please contact your DALI representative for more information.

Finish

● **BK** Black

Power supplies

LTRP-60-BK
 60W, 120VAC 60Hz input
 12VAC output low-voltage transformer

LTR-300-BK
 300W, 120VAC 60Hz input
 12/13/14/15VAC output low-voltage transformer

Accessories

LCBL-50-16
 50 feet of 16 gauge low-voltage wiring

LCBL-100-16
 100 feet of 16 gauge low-voltage wiring

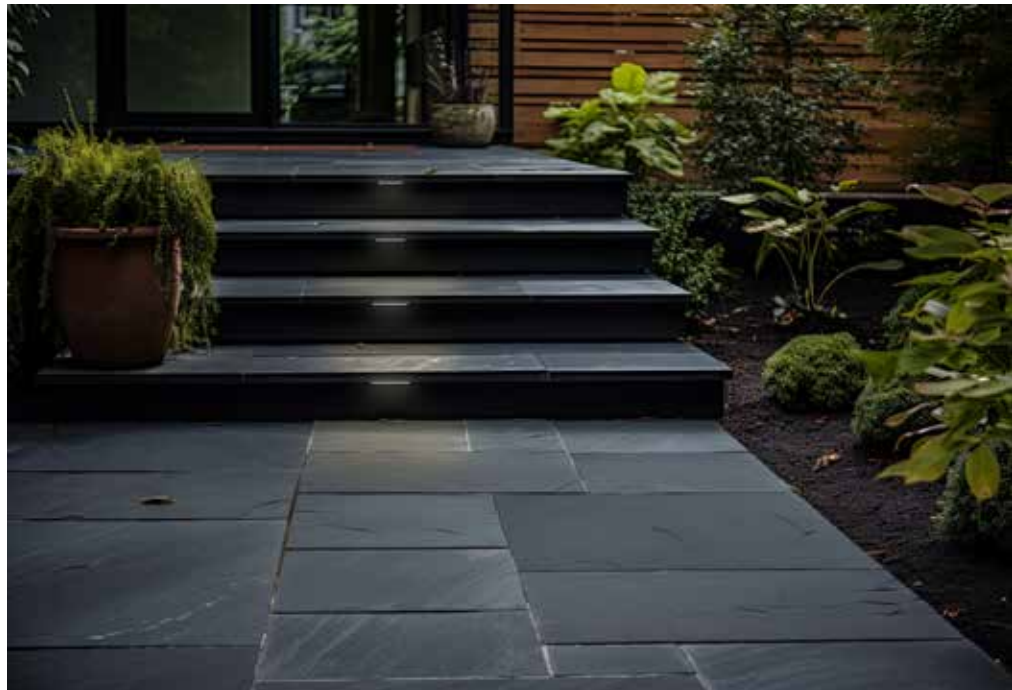
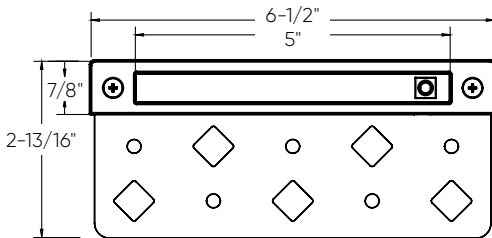
LCBL-50-14
 50 feet of 14 gauge low-voltage wiring

LCBL-100-14
 100 feet of 14 gauge low-voltage wiring

LCBL-100-12
 100 feet of 12 gauge low-voltage wiring

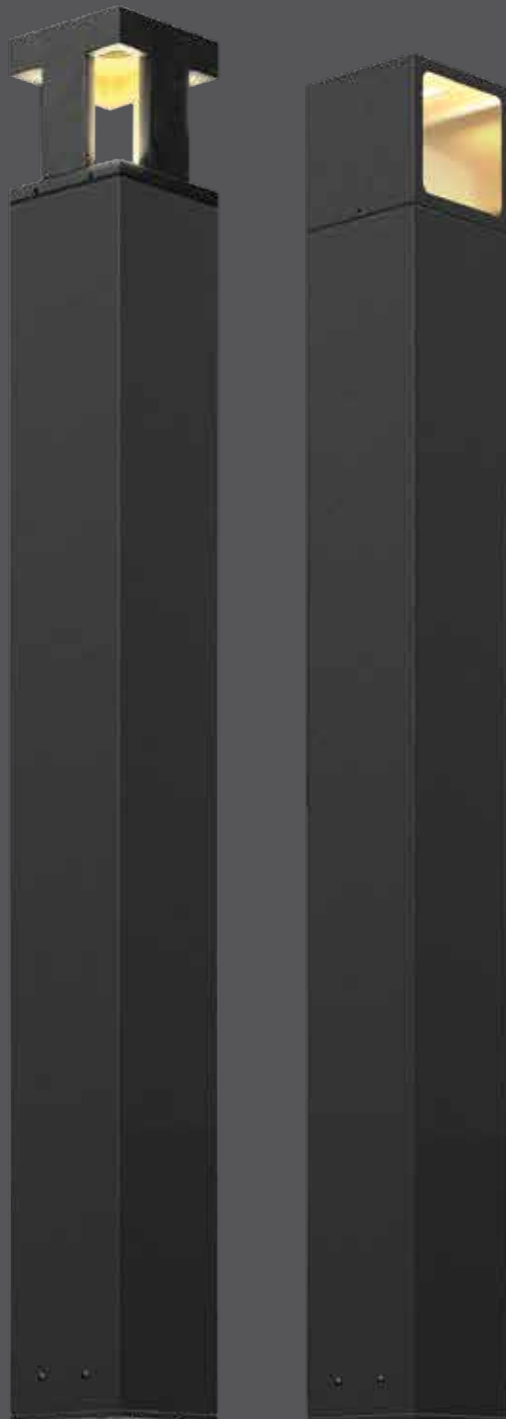
LCBL-200-12
 200 feet of 12 gauge low-voltage wiring

LHS07-CC



Stature

Add warm light to your outdoor landscape with these contemporary bollards. A modern statement, the Stature series features integrated LED's to ensure a long-lasting, energy-efficient, and maintenance-free illumination.



Model	Size	Watts	Delivered lumens	CRI	Color °T	Voltage
LEDPATH003D	36"	7.5 W	180 lm	90	3000 K	120 V
LEDPATH004D	36"	7.5 W	350 lm	90	3000 K	120 V

Specifications

Over 50,000 hours of service life
 "X" shaped lighting pattern (LEDPATH003)
 Low power consumption
 Superior color consistency
 Integrated dimmable driver
 Anchor bolts included
 Suitable for wet locations
 Refer to website for dimmer compatibility
 Ideal operating temperature:
 -20° to 40° C
 5-year warranty

Finish

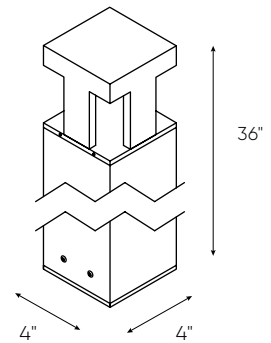
- **BK** Black
- **SG** Silver grey (LEDPATH004D only)

Note

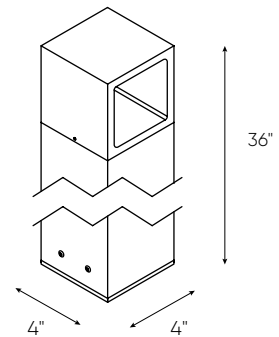
Other color temperatures and finishes options are available but may require minimum order quantities (MOQs) and longer lead times. Please contact your DALI representative for more information.



LEDPATH003D



LEDPATH004D



Low-voltage transformers

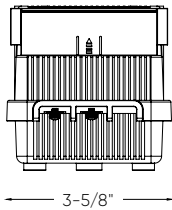
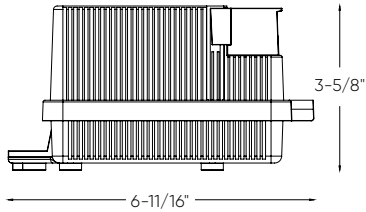
Outdoor low-voltage transformers with timer and photocell sensor, 120V AC to 12V/13V/14V/15V AC, weatherproof.



Model

LTRP-60-BK

60W low-voltage transformer



Specifications

Constant voltage mode power supply
Protection: short circuit / Over voltage
Input voltage: 120VAC 60Hz
Output voltage: 12VAC
Output Power: 60W
Maximum recommended load: 80%
Operating temperature: -30°C to 45°C
UL certification
5 year warranty

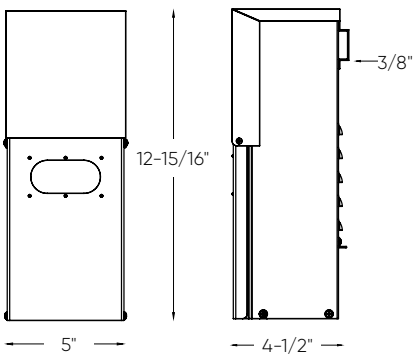
Finish

BK Black

Model

LTR-300-BK

300W low-voltage transformer



Specifications

Constant voltage mode power supply
Protection: short circuit / Over voltage
Fully isolated metal case -
Cooling by air convection
Input voltage: 120VAC 60Hz
Output Power: 300W
Output voltage: 12, 13, 14, 15VAC
Photocell sensor
Maximum recommended load: 80%
Operating temperature: -30°C to 45°C
UL certification
5 year warranty

Finish

BK Black





Core

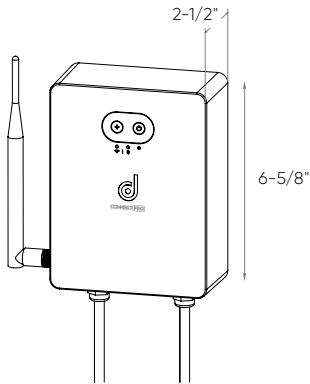
The heart of your connected landscape system. By adding the Core, you unleash the full potential of smart lighting.



Model

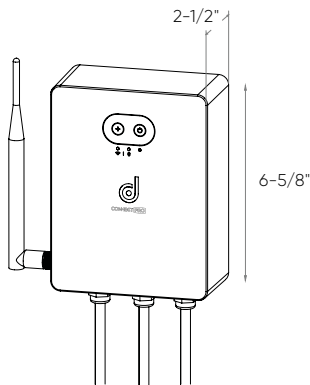
DCP-TR60

60W low-voltage smart transformer



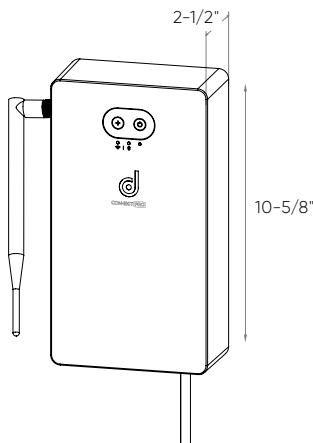
DCP-TR200

200W low-voltage smart transformer



DCP-TR300

300W low-voltage smart transformer



Specifications

Constant voltage mode power supply
Protection: short circuit / Over voltage
Input voltage: 120VAC 60Hz
Output voltage: 24V DC
Output Power: 60W, 200W, and 300W
Maximum recommended load: 80%
Operating temperature: -30°C to 45°C
Control with the Dals Connect app
Integrated Hub
Number of supported smart devices per hub: 128
Can be controlled locally (without internet)
Works with Dals Connect PRO devices
Secure connection
Can be used with a voice-controlled assistant
Supports Wi-Fi and BLE Mesh protocols
5-year warranty

Finish

BK Black

Download the Dals Connect app

Create groups
Set schedules
Remote access
Compatible with Google Assistant and Amazon Alexa



Orbit

A swiveling, low profile light designed to brighten a number of exterior applications. Ideal for walkways and flower beds but fits comfortably in any environment. Add a second or third fixture together and create a multi-head device.



Model	Size	Watts	Delivered lumens	CRI	Color °T	Voltage
DCP-SPT6	6"	10 W	540 lm	90	RGB + 2200 K - 4000 K	24 V DC

Specifications

Excellent color rendering
 Full color spectrum
 2200K - 4000K in pure whites
 Superior LED performance and lifespan
 120° frosted lens included
 Bluetooth mesh technology
 40° beam angle
 Dimmable through the Dals Connect app
 Over 50,000 hours of service life
 Suitable for wet locations
 5-year warranty

Note

Add the DALS Connect Pro Core transformer for even greater flexibility: voice control, remote access, expanded mesh network.

Finish

● BK Black

Smart transformers

DCP-TR60-BK

60W, 120VAC 60Hz input, 24V DC output
 low-voltage smart transformer

DCP-TR200-BK

200W, 120VAC 60Hz input, 24V DC output
 low-voltage smart transformer

DCP-TR300-BK

300W, 120VAC 60Hz input, 24V DC output
 low-voltage smart transformer

Download the Dals Connect app

Create groups
 Set schedules
 Remote access*
 Compatible with Google Assistant and Amazon Alexa*



*Core needed

Accessories

DCP-RMCT

Smart remote

DCP-PTR36

Plug-in driver

DCP-ACC-MS12

12" metal ground stake

DCP-ACC-MS06

6" metal ground stake

DCP-ACC-MB

Mounting bracket

DCP-EXT2FT

2' extension cable

DCP-EXT6FT

6' extension cable

DCP-EXT20FT

20' extension cable

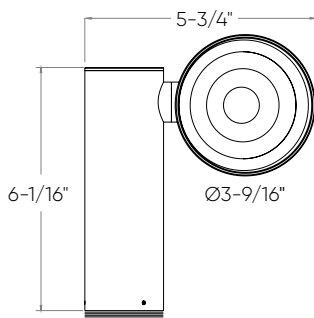
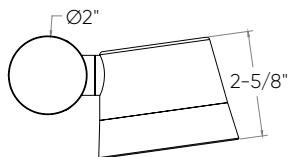
DCP-EXT-T

6" T-connector

DCP-SPTXT14

14" extension tube

DCP-SPT6



Gravity

Recessed in-ground installation or surface mounted accent light. Made of durable die-cast aluminum for longevity. Perfect for garden uplighting or adding a touch of elegance to your balcony.



Model	Size	Watts	Delivered lumens	CRI	Color °T	Voltage
DCP-GRD4	4"	10 W	515 lm	90	RGB + 2200 K - 4000 K	24 V DC

Specifications

Excellent color rendering
 Full color spectrum
 2200K - 4000K in pure whites
 Superior LED performance and lifespan
 Can be recessed or surface mounted
 Bluetooth mesh technology
 40° beam angle
 Dimmable through the Dals Connect app
 Over 50,000 hours of service life
 Suitable for wet locations
 5-year warranty

Note

Add the DALS Connect Pro Core transformer for even greater flexibility: voice control, remote access, expanded mesh network.

Finish

● **BK** Black

Smart transformers

- DCP-TR60-BK**
60W, 120VAC 60Hz input, 24V DC output low-voltage smart transformer
- DCP-TR200-BK**
200W, 120VAC 60Hz input, 24V DC output low-voltage smart transformer
- DCP-TR300-BK**
300W, 120VAC 60Hz input, 24V DC output low-voltage smart transformer

Download the Dals Connect app

Create groups
 Set schedules
 Remote access*
 Compatible with Google Assistant and Amazon Alexa*

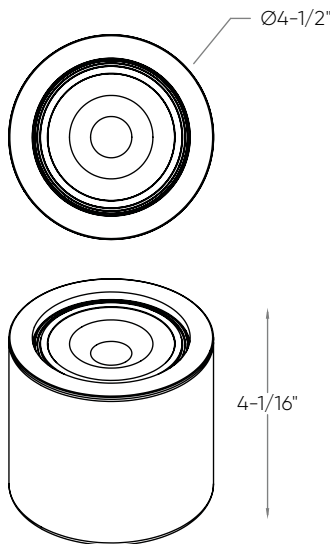


*Core needed

Accessories

- DCP-RMCT**
Smart remote
- DCP-PTR36**
Plug-in driver
- DCP-ACC-MS12**
12" metal ground stake
- DCP-ACC-MS06**
6" metal ground stake
- DCP-ACC-MB**
Mounting bracket
- DCP-EXT2FT**
2' extension cable
- DCP-EXT6FT**
6' extension cable
- DCP-EXT20FT**
20' extension cable
- DCP-EXT-T**
6" T-connector

DCP-GRD4



Horizon

Made of high strength aluminum alloy with adjustable precision. Incredibly bright with a 120° degree beam angle, it can be wall mounted or staked in the ground.



Model	Size	Watts	Delivered lumens	CRI	Color °T	Voltage
DCP-FLD30	7"	30 W	3000 lm	80	RGB + 2200 K - 4000 K	24 V DC

Specifications

Excellent color rendering
 Full color spectrum
 2200K - 4000K in pure whites
 Superior LED performance and lifespan
 Can be wall mounted
 Bluetooth mesh technology
 120° beam angle
 Dimmable through the Dals Connect app
 Over 50,000 hours of service life
 Suitable for wet locations
 5-year warranty

Note

Add the DALS Connect Pro Core transformer for even greater flexibility: voice control, remote access, expanded mesh network.

Finish

● **BK** Black

Smart transformers

DCP-TR60-BK

60W, 120VAC 60Hz input, 24V DC output
 low-voltage smart transformer

DCP-TR200-BK

200W, 120VAC 60Hz input, 24V DC output
 low-voltage smart transformer

DCP-TR300-BK

300W, 120VAC 60Hz input, 24V DC output
 low-voltage smart transformer

Download the Dals Connect app

Create groups
 Set schedules
 Remote access*
 Compatible with Google Assistant and Amazon Alexa*



*Core needed

Accessories

DCP-RMCT

Smart remote

DCP-PTR36

Plug-in driver

DCP-ACC-MS12

12" metal ground stake

DCP-ACC-MS06

6" metal ground stake

DCP-ACC-MB

Mounting bracket

DCP-EXT2FT

2' extension cable

DCP-EXT6FT

6' extension cable

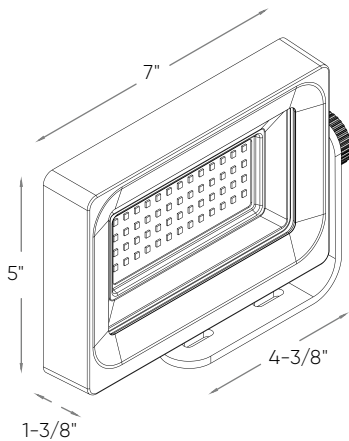
DCP-EXT20FT

20' extension cable

DCP-EXT-T

6" T-connector

DCP-FLD30



Gaia

The main quality of this modern classic is providing downward, wide-area lighting that is both calming and practical. The luminaire includes a head that not only creates unique highlights in flower beds and neatly groomed lawns but can easily light up walkways and winding paths.



Model	Size	Watts	Delivered lumens	CRI	Color °T	Voltage
DCP-CPL24	24"	6 W	470 lm	80	RGB + 2200 K - 4000 K	24 V DC

Specifications

Excellent color rendering
 Full color spectrum
 2200K - 4000K in pure whites
 Superior LED performance and lifespan
 Can be wall mounted
 Bluetooth mesh technology
 120° beam angle
 Dimmable through the Dals Connect app
 Over 50,000 hours of service life
 Suitable for wet locations
 5-year warranty

Note

Add the DALS Connect Pro Core transformer for even greater flexibility: voice control, remote access, expanded mesh network.

Finish

● BK Black

Smart transformers

DCP-TR60-BK

60W, 120VAC 60Hz input, 24V DC output
 low-voltage smart transformer

DCP-TR200-BK

200W, 120VAC 60Hz input, 24V DC output
 low-voltage smart transformer

DCP-TR300-BK

300W, 120VAC 60Hz input, 24V DC output
 low-voltage smart transformer

Download the Dals Connect app

Create groups
 Set schedules
 Remote access*
 Compatible with Google Assistant and Amazon Alexa*

Accessories

DCP-RMCT

Smart remote

DCP-PTR36

Plug-in driver

DCP-ACC-MS12

12" metal ground stake

DCP-ACC-MS06

6" metal ground stake

DCP-EXT2FT

2' extension cable

DCP-EXT6FT

6' extension cable

DCP-EXT20FT

20' extension cable

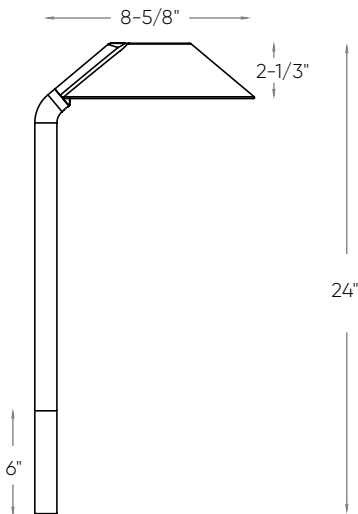
DCP-EXT-T

6" T-connector



*Core needed

DCP-CPL24



Acute

With its 45-degree angled head, this modern classic provides calming and practical downward lighting, casting unique highlights in gardens and effortlessly illuminating pathways.

NEW



WET



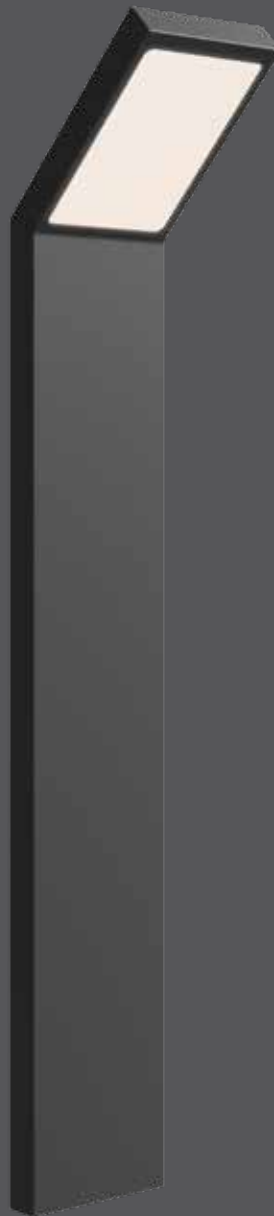
CHANGE COLORS



Bluetooth®



Intertek



Model	Size	Watts	Delivered lumens	CRI	Color °T	Voltage
DCP-45HP20	20"	7 W	600 lm	80	RGB + 2200 K - 4000 K	24 V DC

Specifications

Excellent color rendering
 Full color spectrum
 2200K - 4000K in pure whites
 Superior LED performance and lifespan
 Bluetooth mesh technology
 45° beam angle
 Dimmable through the Dals Connect app
 Over 50,000 hours of service life
 Suitable for wet locations
 5-year warranty

Note

Add the DALS Connect Pro Core transformer for even greater flexibility: voice control, remote access, expanded mesh network.

Finish

● **BK** Black

Smart transformers

- DCP-TR60-BK**
60W, 120VAC 60Hz input, 24V DC output
low-voltage smart transformer
- DCP-TR200-BK**
200W, 120VAC 60Hz input, 24V DC output
low-voltage smart transformer
- DCP-TR300-BK**
300W, 120VAC 60Hz input, 24V DC output
low-voltage smart transformer

Download the Dals Connect app

Create groups
 Set schedules
 Remote access*
 Compatible with Google Assistant and Amazon Alexa*

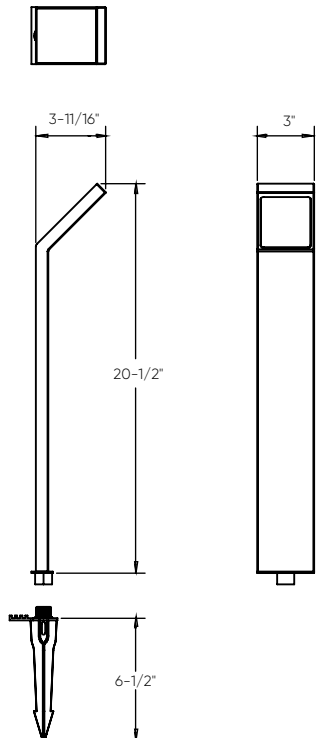
Accessories

- DCP-RMCT**
Smart remote
- DCP-PTR36**
Plug-in driver
- DCP-ACC-MS12**
12" metal ground stake
- DCP-ACC-MS06**
6" metal ground stake
- DCP-EXT2FT**
2' extension cable
- DCP-EXT6FT**
6' extension cable
- DCP-EXT20FT**
20' extension cable
- DCP-EXT-T**
6" T-connector



*Core needed

DCP-45HP20



Axis

A slender form and a soft black finish give this luminaire a contemporary style that fits almost anywhere.



WET



CHANGE COLORS



Model	Size	Watts	Delivered lumens	CRI	Color °T	Voltage
DCP-STK20	20"	6 W	310 lm	80	RGB + 2200 K - 4000 K	24 V DC
DCP-STK50	50"	12 W	565 lm			

Specifications

Excellent color rendering
 Full color spectrum
 2200K - 4000K in pure whites
 Superior LED performance and lifespan
 Can be surface mounted
 Bluetooth mesh technology
 120° beam angle
 Dimmable through the Dals Connect app
 Over 50,000 hours of service life
 Suitable for wet locations
 5-year warranty

Note

Add the DALS Connect Pro Core transformer for even greater flexibility: voice control, remote access, expanded mesh network.

Finish

● **BK** Black

Smart transformers

DCP-TR60-BK

60W, 120VAC 60Hz input, 24V DC output low-voltage smart transformer

DCP-TR200-BK

200W, 120VAC 60Hz input, 24V DC output low-voltage smart transformer

DCP-TR300-BK

300W, 120VAC 60Hz input, 24V DC output low-voltage smart transformer

Download the Dals Connect app

Create groups
 Set schedules
 Remote access*
 Compatible with Google Assistant and Amazon Alexa*



*Core needed

Accessories

DCP-RMCT

Smart remote

DCP-PTR36

Plug-in driver

DCP-ACC-MS12

12" metal ground stake

DCP-ACC-MS06

6" metal ground stake

DCP-ACC-MB

Mounting bracket

DCP-EXT2FT

2' extension cable

DCP-EXT6FT

6' extension cable

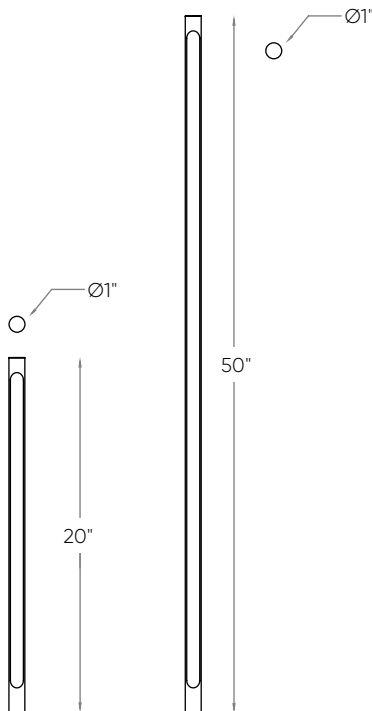
DCP-EXT20FT

20' extension cable

DCP-EXT-T

6" T-connector

DCP-STK20 / DCP-STK50



Mason

With its minimalistic form, simple casing and subtle appearance, Mason fits seamlessly into the architecture of any home.



Model	Size	Watts	Delivered lumens	CRI	Color °T	Voltage
DCP-BRK12	12"	8 W	280 lm	80	RGB + 2200 K - 4000 K	24 V DC

Specifications

Excellent color rendering
 Full color spectrum
 2200K - 4000K in pure whites
 Superior LED performance and lifespan
 Can be recessed or surface mounted
 Bluetooth mesh technology
 40° beam angle
 Dimmable through the Dals Connect app
 Over 50,000 hours of service life
 Suitable for wet locations
 5-year warranty

Note

Add the DALS Connect Pro Core transformer for even greater flexibility: voice control, remote access, expanded mesh network.

Finish

● **BK** Black

Smart transformers

DCP-TR60-BK

60W, 120VAC 60Hz input, 24V DC output
 low-voltage smart transformer

DCP-TR200-BK

200W, 120VAC 60Hz input, 24V DC output
 low-voltage smart transformer

DCP-TR300-BK

300W, 120VAC 60Hz input, 24V DC output
 low-voltage smart transformer

Download the Dals Connect app

Create groups
 Set schedules
 Remote access*
 Compatible with Google Assistant and Amazon Alexa*

Accessories

DCP-RMCT

Smart remote

DCP-PTR36

Plug-in driver

DCP-EXT2FT

2' extension cable

DCP-EXT6FT

6' extension cable

DCP-EXT20FT

20' extension cable

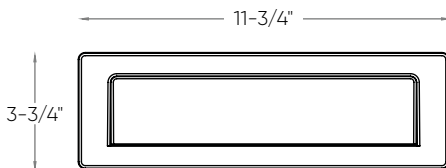
DCP-EXT-T

6" T-connector



*Core needed

DCP-BRK12

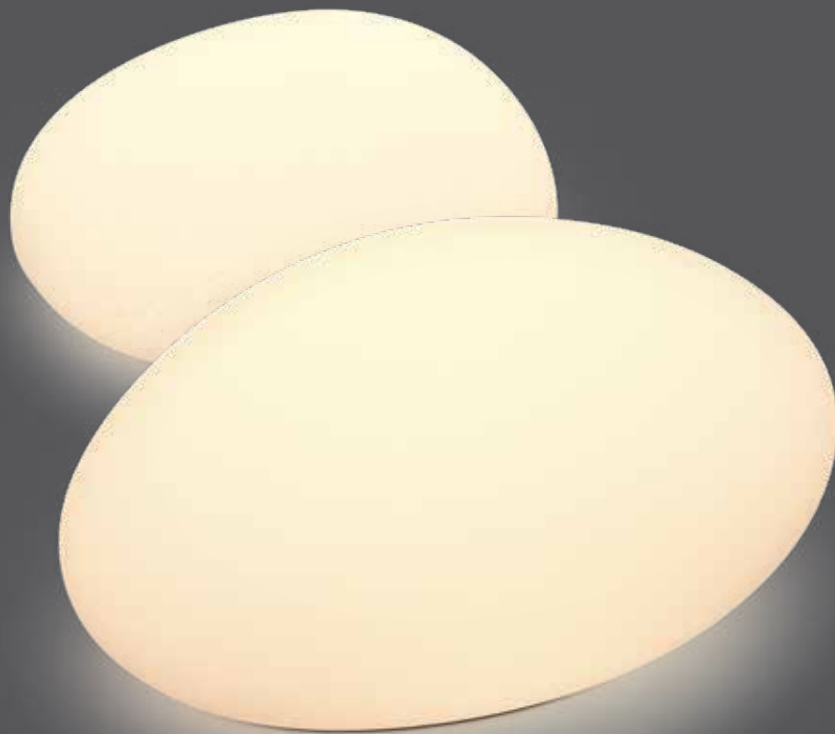


15/16"



Kayu

Sprinkle your landscape with subtle touches of light.
The Kayu series, a harmonious and organic fixture easily
creates a welcoming atmosphere.



Model	Size	Watts	Delivered lumens	CRI	Color °T	Voltage
DCP-RK10	10"	5 W	400 lm	80	RGB + 2200 K - 4000 K	24 V DC
DCP-RK18	18"	7 W	600 lm			

Specifications

Excellent color rendering
 Full color spectrum
 2200K - 4000K in pure whites
 Superior LED performance and lifespan
 Bluetooth mesh technology
 Dimmable through the Dals Connect app
 Over 50,000 hours of service life
 Suitable for wet locations
 5-year warranty

Note

Add the DALS Connect Pro Core transformer for even greater flexibility: voice control, remote access, expanded mesh network.

Finish

WH White

Smart transformers

DCP-TR60-BK

60W, 120VAC 60Hz input, 24V DC output
 low-voltage smart transformer

DCP-TR200-BK

200W, 120VAC 60Hz input, 24V DC output
 low-voltage smart transformer

DCP-TR300-BK

300W, 120VAC 60Hz input, 24V DC output
 low-voltage smart transformer

Download the Dals Connect app

Create groups
 Set schedules
 Remote access*
 Compatible with Google Assistant and Amazon Alexa*

Accessories

DCP-RMCT

Smart remote

DCP-PTR36

Plug-in driver

DCP-ACC-MS12

12" metal ground stake

DCP-ACC-MS06

6" metal ground stake

DCP-EXT2FT

2' extension cable

DCP-EXT6FT

6' extension cable

DCP-EXT20FT

20' extension cable

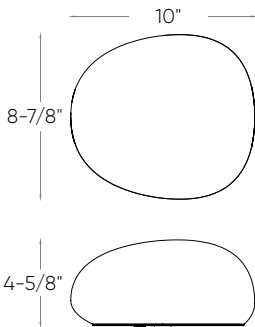
DCP-EXT-T

6' T-connector

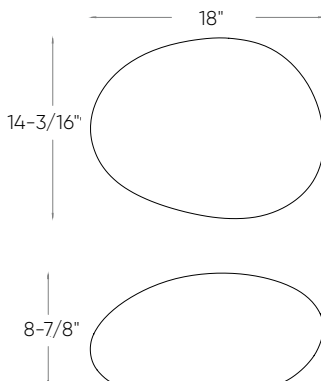


* Core needed

DCP-RK10



DCP-RK18



Flex

Transform any space with ease using our 5-meter smart neon tape light, seamlessly blending vibrant colors and dynamic lighting effects to create an ambiance that suits your mood and style.

NEW



WET



CHANGE COLORS



Bluetooth®



ETL
Intertek

Model	Size	Watts	Delivered lumens	CRI	Color °T	Voltage
DCP-NFTAP5M	5m (196")	24 W	1200 lm	80	RGB + 2200 K - 4000 K	24 V DC

Specifications

Excellent color rendering
 Full color spectrum
 2200K - 4000K in pure whites
 Seamless light emission with zero hotspots
 Superior LED performance and lifespan
 Bluetooth mesh technology
 Dimmable through the Dals Connect app
 Over 50,000 hours of service life
 Suitable for wet locations
 5-year warranty

Finish

WH White

Accessories

DCP-RMCT
 Smart remote

Download the Dals Connect app

Create groups
 Set schedules
 Remote access*
 Compatible with Google Assistant and Amazon Alexa*

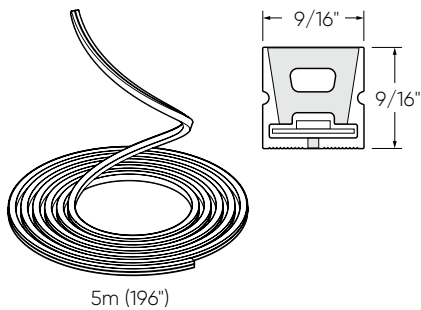


*Core needed

Note

Add the DALs Connect Pro Core transformer for even greater flexibility: voice control, remote access, expanded mesh network.

DCP-NFTAP5M



Orion

Garden parties, birthdays or a relaxing dinner.
Create the perfect atmosphere with the numerous
lighting effects provided by the Orion string light.



Model	Size	Watts	Delivered lumens	CRI	Color °T	Voltage
DCP-STG48	48"	24 W	1200 lm	80	RGB + 2200 K - 4000 K	24 V DC

Specifications

Excellent color rendering
 Full color spectrum
 2200K - 4000K in pure whites
 24W plug-in driver included
 One 24W transformer can power two string lights daisy chained together
 15 bulbs per string
 On-wire remote control
 Preset animations
 Superior LED performance and lifespan
 Bluetooth mesh technology
 Dimmable through the Dals Connect app
 Over 50,000 hours of service life
 Suitable for wet locations
 5-year warranty

Note

Add the DALs Connect Pro Core transformer for even greater flexibility: voice control, remote access, expanded mesh network.

Finish

● **BK** Black

Accessories

DCP-RMCT
Smart remote

DCP-STGACCLB
Bulb replacement

DCP-STGACPCB
PCB replacement

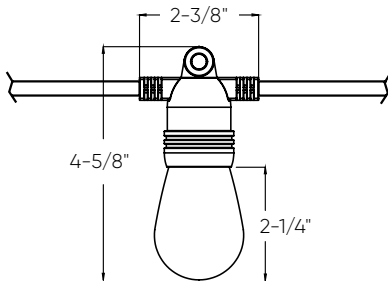
Download the Dals Connect app

Create groups
 Set schedules
 Remote access*
 Compatible with Google Assistant and Amazon Alexa*

















*Core needed

















DCP-STG48



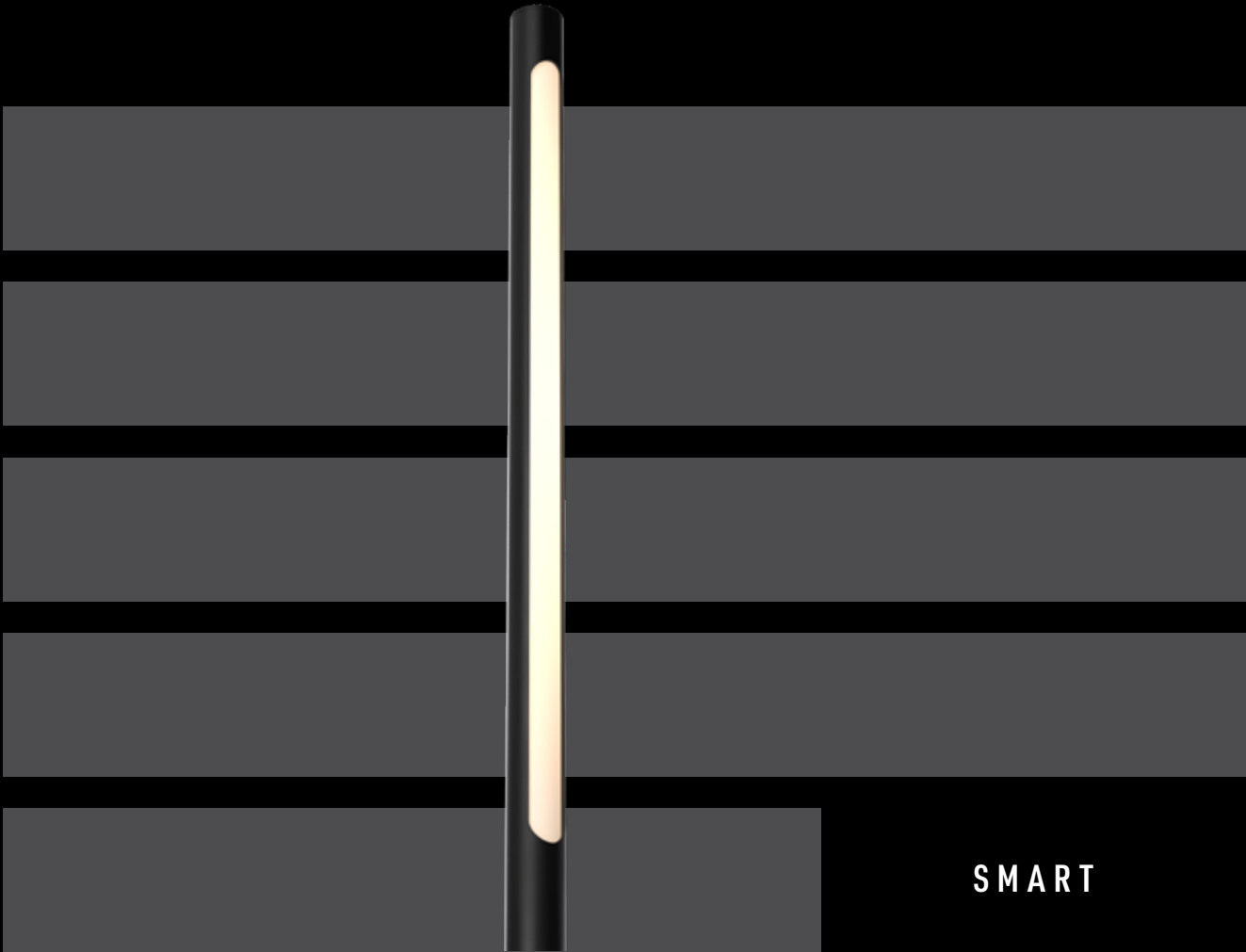
Landscape accessories

Model		Finish	Specification
LAN-ACC-MS  WET		Black	• 6-3/4 in. metal replacement stake for spotlights
LAN-ACC-PS  WET		Black	• 7-1/4 in. plastic replacement stake for path lights and bollards
LCBL-50-16 LCBL-100-16 LCBL-50-14 LCBL-100-14 LCBL-100-12 LCBL-200-12  WET		Black	• 16, 14, and 12 gauge low-voltage wire in 50, 100, and 200 ft. lengths.
LSP-EXT04  WET		Black	• 4 in. extension arm
LSP-WM  WET		Black	• Spotlight wall mount adapter
LSP3-ACCLN LSP4-ACCLN  WET		Clear	• 20° and 40° interchangeable lenses for LSP3-CC and LSP3-CC spot lights
LSQP-ACC-PS  WET		Black	• 7-1/4 in. plastic replacement stake for LSQP-CC path light

Smart landscape accessories

Model		Finish	Specification
DCP-ACC-MB  WET		Black	• Mounting bracket for smart landscape lights
DCP-ACC-MS06 DCP-ACC-MS12  WET		Black	• 6 and 12 in. metal replacement ground stakes for smart landscape lights
DCP-EXT2FT DCP-EXT6FT DCP-EXT20FT  WET		Black	• 2, 6, and 12 ft. extension cords for smart landscape lights
DCP-EXT-T  WET		Black	• 6 in. T-connector for smart landscape lights
DCP-PTR36  WET		Black	• 36W plug-in driver for smart landscape lights
DCP-SPTACCLENS  WET		Frosted white	• 120° frosted lens for DCP-SPT6 spot light
DCP-SPTTEXT14  WET		Black	• 14 in. extension tube for DCP-SPT6 spot light
DCP-STGACCBLB DCP-STGACPCB  WET		White	<ul style="list-style-type: none"> • Replacement bulb for DCP-STG48 string light • Replacement PCB for DCP-STG48 string light





SMART



345
CONNECTION
GUIDE



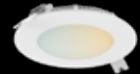
348
PRO HUB
 DCP-HUB



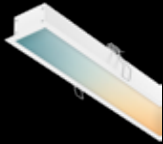
350
REVOLVE PRO
 DCP-GBR35



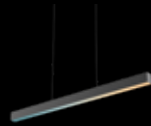
352
ETCH PRO
 DCP-DDP4
 DCP-DDP6



354
EXCEL PRO
 DCP-PNL4
 DCP-PNL6



358
BOULEVARD PRO
 DCP-LNR24
 DCP-LNR48



360
BOULEVARD
PENDANT PRO
 DCP-LNPD48



362
FRAME
 DCP-CGWS



364
ARCHITECT WALL
 DCP-LWS19



366
A21 PRO
 DCP-BLBA21



368
BR30 PRO
 DCP-BLBBR30



370
ARCHITECT PENDANT
 SM-LPD39



372
AXIS TABLE LAMP
 SM-STTL20



376
AXIS FLOOR LAMP
 SM-STFL50



378
EXCEL SMART
 SM-PNL4
 SM-PNL6



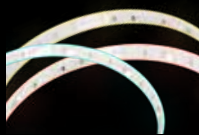
380
DELTA SMART
 SM-FM08/14



382
A19 SMART
 SM-BLBA19



384
BR30 SMART
 SM-BLBBR30



386
SMART TAPE
 SM-TAP3M
 SM-TAP5M



388
CLICC
 DCP-RMCT



390
SMART WALL
CONTROLLER
 SM-WLCT



392
SMART PLUG
 SM-PLUG



394
SMART DIMMER
SWITCH
 SM-DIMSW



396
ACCESSORIES



One app – one smart ecosystem with technology options

DALS launched its first smart home products in 2017 and has sold over 350,000 devices as of December 2023, showcasing our developed application expertise.

In 2019, the introduction of our DALs Connect platform quickly established its leadership with its Wi-Fi direct product ecosystem.

In 2022, DALs expanded its offerings with the launch of the DALs Connect PRO product assortment. This line utilizes Bluetooth mesh technology,

enabling a higher number of devices on a network and introducing several other advanced features.

Both DALs Connect and DALs Connect PRO products seamlessly work together and can easily coexist on the same application.

Additionally, we are excited to announce the launch of many more smart home products this year, including a variety of new landscape products.

There are many benefits to smart lighting



Experience

White color temperature and a wide array of fun colors are easily changeable, allowing you a multitude of lighting options for comfort.



Save

Save on energy and increase your home's security by using schedules or remotely turning on/off the lights when no one is home.



Control

Easily control your lighting with smart switches, your phone, or a voice assistant for even more convenience.



Create

With the Dals Connect app, you can program your own lighting scenes for specific conditions and tasks, such as watching movies, daytime or nighttime reading, parties, and much more. Within a scene, you can change the brightness, color temperature, and even use different hues.

What are the main differences between DALS Connect and DALS Connect PRO?



dals || CONNECT

Quick start – direct features

DALS Connect products use Wi-Fi wireless technology which is used widely to connect computers, tablets, smartphones, smart devices, and others to the internet. Wi-Fi is shared through a router to all Wi-Fi enabled devices. This technology allows for a lot of range and a lot of devices, although there are some limitations as well. Wi-Fi has a relatively high absorption rate and works best for line-of-sight uses. A residential wireless access point usually has a range of about 30 feet and a maximum of 20 devices, depending on the type of wireless access point.



dals || CONNECT PRO

Higher number of devices – independent network

DALS Connect PRO uses Bluetooth-mesh technology. It works on the principle that each Bluetooth device on the mesh network can relay commands to another device, through the connection from the previous device. Bluetooth-mesh networking is a standard based on Bluetooth Low Energy that allows for many-to-many communication over Bluetooth radio. You can use your smart phone or tablet to control large groups of products even without an internet connection.

Dals Connect Pro hub

You can also add the Dals Connect Pro hub, to connect up to 128 DALS Connect PRO products to the cloud as a single internet connection (as opposed to DALS Connect products where each product has its individual connection). You can also use multiple hubs for projects with more than 128 devices, with each hub acting as an internet connection as well. Cloud connection allows you to use your products with voice command platforms (such as Google Home and Amazon Alexa) as well as allowing for remote control.



Not all Wi-Fi routers are created equal. A 30\$ router will not perform the same or support the same number of devices as a 350\$ router. The number of antennas will greatly increase your Wi-Fi range.



Most smart devices only operate on the 2.4 GHz spectrum, whereas most routers nowadays share the same band for 5 GHz and 2.4 GHz. If you experience issues with disconnecting devices or trouble adding new devices, try separating your 5 GHz and 2.4 GHz band on your router. Your internet service provider can help you set this up.

Which one is best for me?

Thanks to the Dals Connect Application, you don't have to use multiple apps to control all of your smart devices, even if you decide to mix and match communication technologies.

The Dals Connect App can support Bluetooth-mesh devices mixed with Wi-Fi devices, and you can add cloud connectivity to your Bluetooth-mesh devices using the Dals Connect Pro hub. All of these will work together, but which one is right for you?

Let's find out.

	DALS Connect	DALS Connect PRO	DALS Connect PRO + Hub
Uses the DALS Connect App	•	•	•
Can be controlled from multiple devices at once	•		•
Range of operation from the controller (Wi-Fi router or another Bluetooth-mesh device)	30 FT	75 FT	75 FT
Number of supported smart devices	20	100*	128
Can be controlled locally (without internet)		•	•
Requires multiple access points to extend the range	•		
Secure connection	•	•	•
Can be used with voice-controlled assistant	•		•

**The actual maximum number of Bluetooth devices supported in a mesh network is much higher (32 767) but achieving these numbers would require professional network installations and mesh network segmentation.*



You can use a free network scanner tool to determine the limited range of your router. Wireless strength is represented as dBm (decibel-milliwatts) and a good Wi-Fi signal will usually range between -30 and -65 dBm. Anything lower than -65 dBm will most likely experience issues.



The technology you choose doesn't have to be all the same. You can easily combine Bluetooth Mesh devices with Wi-Fi devices thanks to the Dals Connect App. It all depends on the application. If you wish to have smart recessed devices for your exterior soffits, you would opt for Dals Connect Pro products to gain maximum range and inter-connectivity, and could combine them with Wi-Fi products for your living room. The choice is up to you!

Pro hub

By connecting to the hub you enable communication with the cloud and the Dals Connect app, allowing users to easily view and control up to 128 smart devices for each hub that use the Bluetooth protocol. Supports Wi-Fi and BLE Mesh: You can control it remotely through Wi-Fi or locally through BLE, ensuring gateway availability even if there is no network.



Model	Size	Wi-Fi	Bluetooth	Number of supported devices	Alexa & Google Assistant compatible	Voltage
DCP-HUB	4"	✓	✓	128*	✓	120 V

*Per Hub

Specifications

- Indoor use only
- Control with the Dals Connect app
- Number of supported smart devices per hub: 128
- Can be controlled locally (without internet)
- Works with Dals Connect PRO devices
- Secure connection
- Can be used with a voice-controlled assistant
- Supports Wi-Fi and BLE Mesh protocols
- Supports a hardwired internet connection using an ethernet cable
- 5-year warranty

Finish

- WH** White

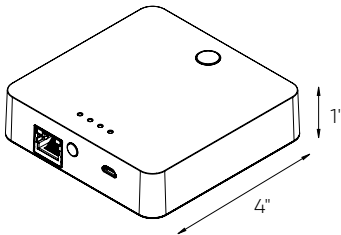
Note

For remote access a secured 2.4 GHz wireless network or an ethernet cable is required.

Download the Dals Connect app



DCP-HUB



Revolve Pro

Our Recessed family has grown with a new range of adjustable downlights. The effortless design and high functionality of these fixtures are sure to make a welcome addition in any room.



WET



LOW-GLARE



Bluetooth



ETL US
Intertek



SWIVEL/DIRECTIONAL



CHANGE COLORS



RATED



AIR TIGHT



Model	Size	Watts	Delivered lumens	CRI	Color °T	Voltage
DCP-GBR35	3.5"	12 W	650 lm	90	RGB + 2700 K - 6500 K	120 V

Specifications

Includes a junction box with integrated driver
 Over 50,000 hours of service life
 Full color spectrum
 2700K - 6500K in pure whites
 40° beam angle
 30° tilting, 360° rotation
 Dimmable through the Dals Connect app only
 Bluetooth mesh technology
 Minimal heat emission
 Aluminum construction
 Regressed light source
 Suitable for wet locations
 5-year warranty

Note

Add the DALS Connect Pro Hub for even greater flexibility: voice control, remote access, expanded mesh network, ability to connect up to 128 devices per Hub.

Finish

- **BK** Black
- **WH** White

Accessories

DCP-RMCT
 Smart remote

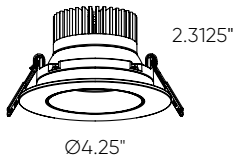
Download the Dals Connect app

Create groups
 Set schedules
 Remote access*
 Compatible with Google Assistant and Amazon Alexa*



*Hub needed

DCP-GBR35



Etch Pro

With reduced glare and a sleek and minimal construction, the Dals Connect Pro recessed panel lights will be a great addition to any project. Connect 100+ devices through Bluetooth, create groups, set schedules and select from a wide range of colors, all possible with the DALS Connect App™.



Model	Size	Watts	Delivered lumens	CRI	Color °T	Voltage
DCP-DDP4WH	4"	15 W	1000 lm	90	RGB + 2700 K - 6500 K	120 V
DCP-DDP6WH	6"	20 W	1500 lm	90	RGB + 2700 K - 6500 K	120 V

Specifications

Includes a junction box with integrated driver
 Over 50,000 hours of service life
 Full color spectrum
 2700K - 6500K in pure whites
 125° beam angle
 Dimmable through the Dals Connect app only
 Bluetooth mesh technology
 Minimal heat emission
 Aluminum construction
 Regressed light source
 Suitable for wet locations
 5-year warranty

Note

Add the DALS Connect Pro Hub for even greater flexibility: voice control, remote access, expanded mesh network, ability to connect up to 128 devices per Hub.

Finish

WH White

Accessories

DCP-RMCT
 Smart remote

Download the Dals Connect app

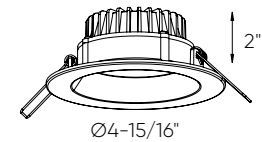
Create groups
 Set schedules
 Remote access*
 Compatible with Google Assistant and Amazon Alexa*



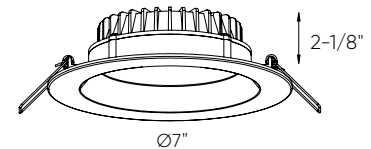
*Hub needed



DCP-DDP4 Ø4 1/4"



DCP-DDP6 Ø6 1/4"



Excel Pro

The Dals Connect Pro panel lights will be a great addition to any project. Connect 100+ devices through Bluetooth, create groups, set schedules and select from a wide range of colors, all possible with the DALS Connect App™.



Model	Size	Watts	Delivered lumens	CRI	Color °T	Voltage
DCP-PNL4WH	4"	14 W	750 lm	90	RGB + 2700 K - 6500 K	120 V
DCP-PNL6WH	6"	20 W	1200 lm	90	RGB + 2700 K - 6500 K	120 V

Specifications

Includes a junction box with integrated driver
 Over 50,000 hours of service life
 Full color spectrum
 2700K - 6500K in pure whites
 Dimmable through the Dals Connect app only
 Bluetooth mesh technology
 Minimal heat emission
 Aluminum construction
 Suitable for wet locations
 5-year warranty

Finish

WH White

Accessories

DCP-RMCT
 Smart remote

Note

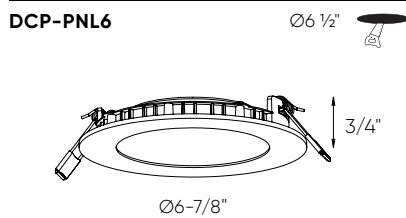
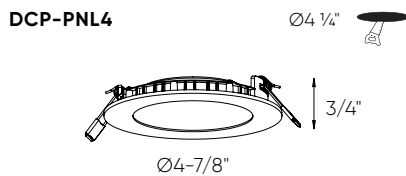
Add the DALS Connect Pro Hub for even greater flexibility: voice control, remote access, expanded mesh network, ability to connect up to 128 devices per Hub.

Download the Dals Connect app

Create groups
 Set schedules
 Remote access*
 Compatible with Google Assistant and Amazon Alexa*



*Hub needed



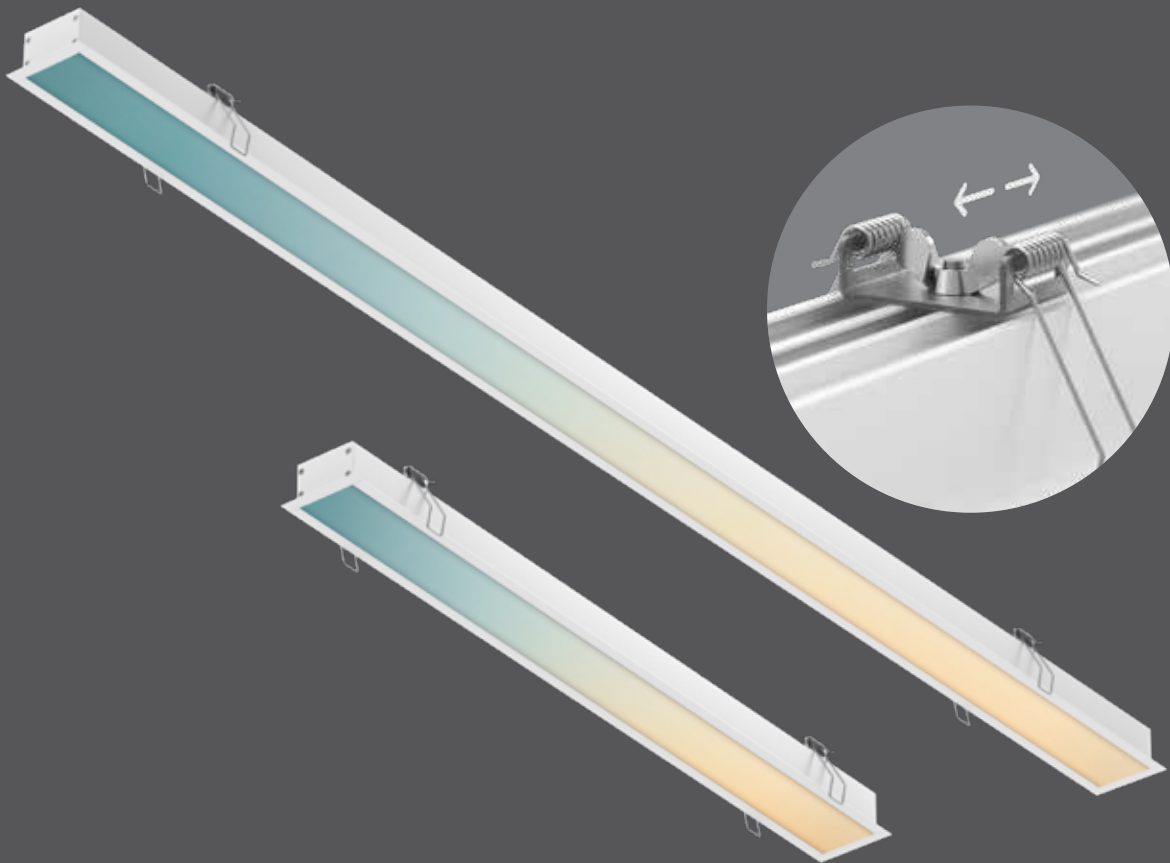


BOULEVARD PENDANT / P. 360



Boulevard Pro

The Boulevard series, an architectural recessed lighting channel that can be installed in a wide range of commercial and residential environments. Add depth to ceiling planes with a visible separation, or seamlessly daisy-chained to create dramatic effects.



Model	Size	Watts	Delivered lumens	CRI	Color °T	Voltage
DCP-LNR24	24"	20 W	1785 lm	90	RGB + 2700 K - 6500 K	120 V
DCP-LNR48	48"	40 W	3380 lm			

Specifications

Includes a junction box with integrated driver
 Over 50,000 hours of service life
 Full color spectrum
 2700K - 6500K in pure whites
 108° beam angle
 Dimmable through the Dals Connect app only
 Bluetooth mesh technology
 IC certification (suitable for direct contact with insulation)
 Air-tight certified as per ASTM E283-04
 Suitable for dry locations
 5-year warranty

Finish

○ **WH** White

Accessories

LNACC-L16FT

16-foot lens for Boulevard series pendants and recessed linears

DCP-RMCT

Smart remote

Download the Dals Connect app

Create groups
 Set schedules
 Remote access*
 Compatible with Google Assistant and Amazon Alexa*

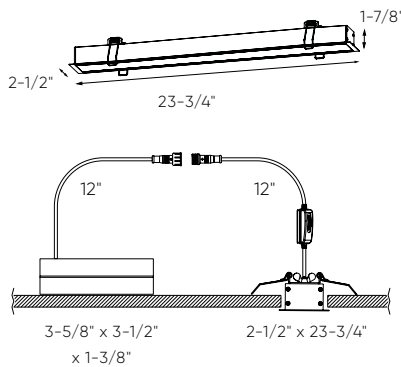
Note

Add the DALSCONNECT Pro Hub for even greater flexibility: voice control, remote access, expanded mesh network, ability to connect up to 128 devices per Hub.

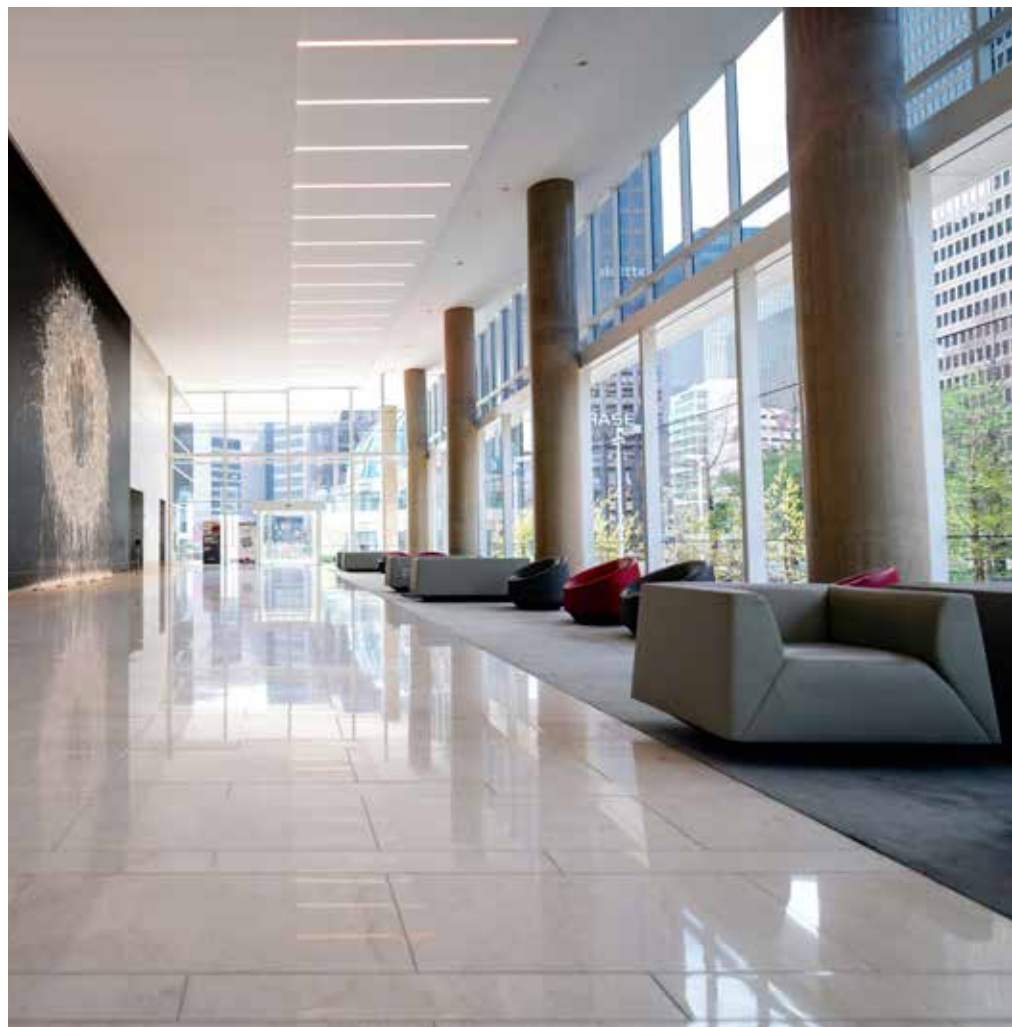
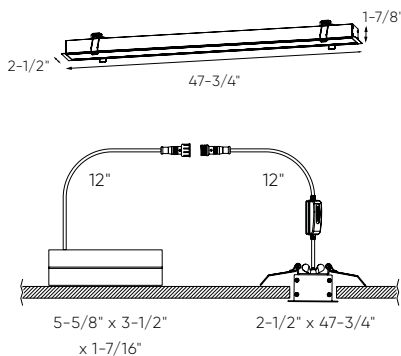


*Hub needed

DCP-LNR24 23-3/8" x 2-1/8" 

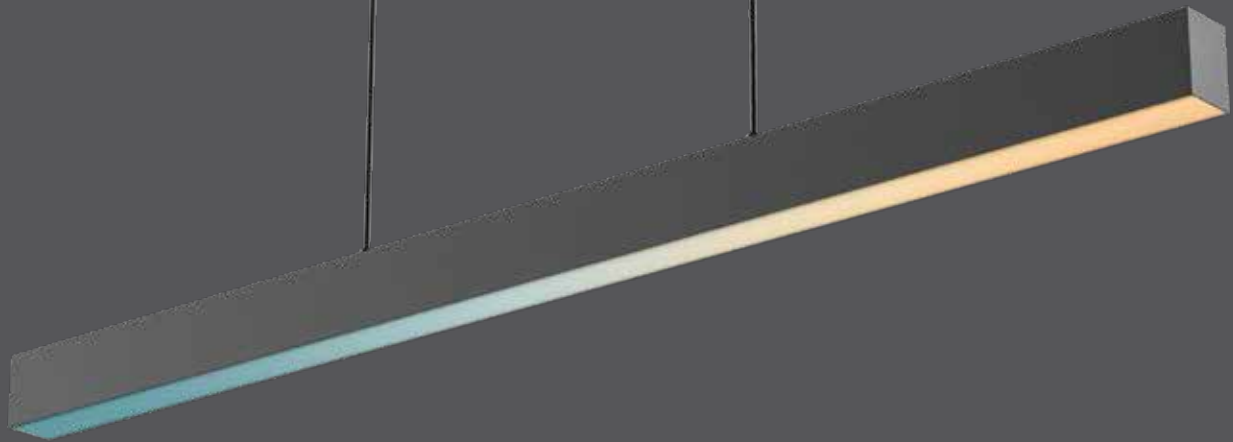


DCP-LNR48 47-7/16" x 2-1/8" 



Boulevard pendant Pro

The Boulevard series, a linear modular light fixture perfect for general office, home, and shop illumination. Can be interconnected to produce striking visual effects.



Model	Size	Watts	Delivered lumens	CRI	Color °T	Voltage
DCP-LNPD48	48"	40 W	2620 lm	90	RGB + 2700 K - 6500 K	120 V

Specifications

Includes a junction box with integrated driver
 Over 50,000 hours of service life
 Full color spectrum
 2700K - 6500K in pure whites
 108° beam angle
 Dimmable through the Dals Connect app only
 Bluetooth mesh technology
 IC certification (suitable for direct contact with insulation)
 For indoor use only
 Air-tight certified as per ASTM E283-04
 5-year warranty

Finish

● **BK** Black

Accessories

LNACC-L16FT
 16-foot lens for Boulevard series pendants and recessed linears

DCP-RMCT

Smart remote

Note

Add the DALS Connect Pro Hub for even greater flexibility: voice control, remote access, expanded mesh network, ability to connect up to 128 devices per Hub.

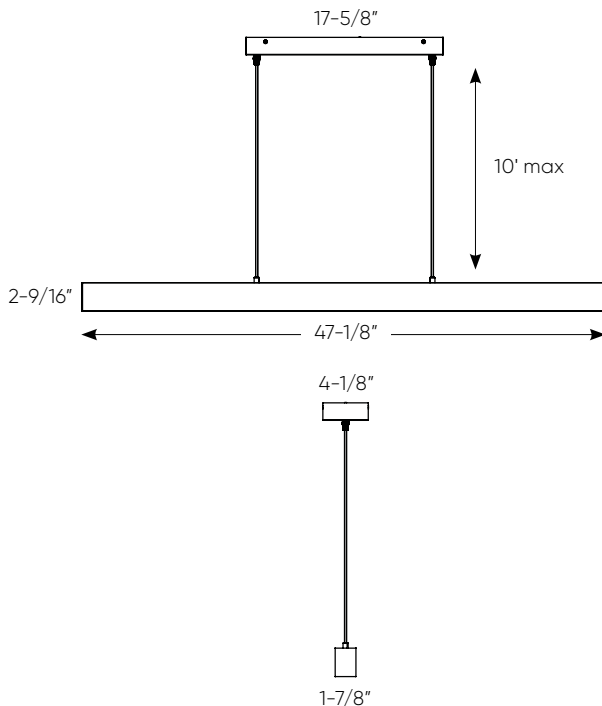
Download the Dals Connect app

Create groups
 Set schedules
 Remote access*
 Compatible with Google Assistant and Amazon Alexa*



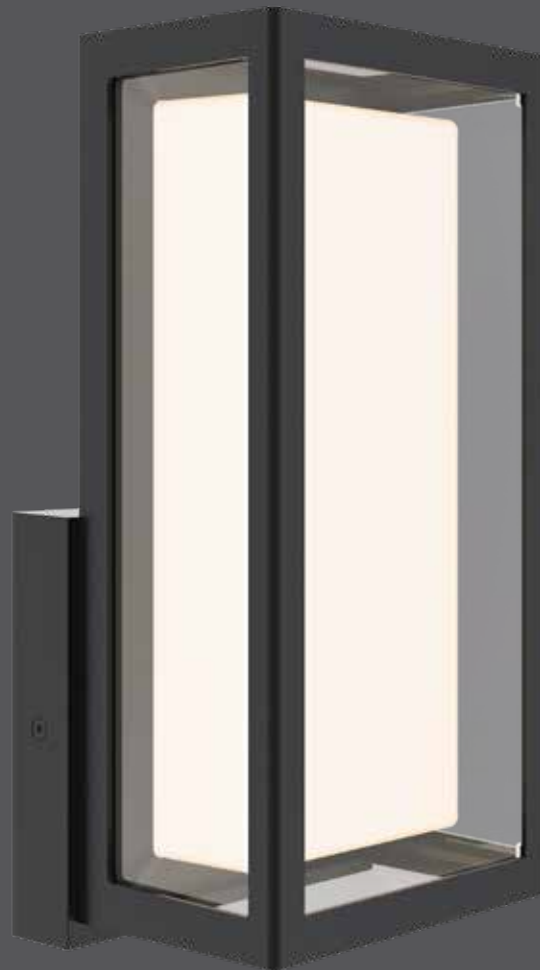
*Hub needed

DCP-LNPD48



Frame

Frame elegantly combines functionality with style, offering a dynamic lighting experience, all conveniently controlled by a sleek smart button for personalized illumination.



Model	Size	Watts	Delivered lumens	CRI	Color °T	Voltage
DCP-CGWS	16"	20 W	1200 lm	80	RGB + 2200 K - 4000 K	120 V

Specifications

Over 50,000 hours of service life
 Full color spectrum
 2200K - 4000K in pure whites
 Dimmable through the Dals Connect app only
 Bluetooth mesh technology
 IC certification (suitable for direct contact with insulation)
 Wall mount on 4" octagonal junction box
 120° beam angle
 Suitable for wet locations
 5-year warranty

Finish

● **BK** Black

Accessories

DCP-RMCT
 Smart remote

Note

Add the DALS Connect Pro Hub for even greater flexibility: voice control, remote access, expanded mesh network, ability to connect up to 128 devices per Hub.

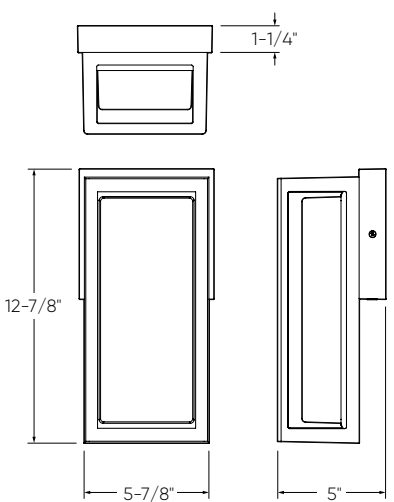
Download the Dals Connect app

Create groups
 Set schedules
 Remote access*
 Compatible with Google Assistant and Amazon Alexa*



*Hub needed

DCP-CGWS



Architect wall

Looking to add to your smart family products? Here is our new smart linear wall sconce. Not only decorative but also practical, this fixture can be controlled with the DALI Connect™ app and is compatible with Google Home and Amazon Alexa. So many options at your fingertips - the possibilities are endless.

NEW



CHANGE COLORS



WET

ADA

COMPLIANT



Model	Size	Watts	Delivered lumens	CRI	Color °T	Voltage
DCP-LWS19	19"	15 W	1130 lm	80	RGB + 2200 K - 6500 K	120 V

Specifications

Made of extruded aluminum
 Over 50,000 hours of service life
 Full color spectrum
 2700K - 6500K in pure whites
 Dimmable through the Dals Connect app only
 Wall mount on 4" octagonal junction box
 ADA compliant
 Suitable for wet locations
 5-year warranty

Finish

● **BK** Black

Accessories

DCP-RMCT
 Smart remote

Download the Dals Connect app

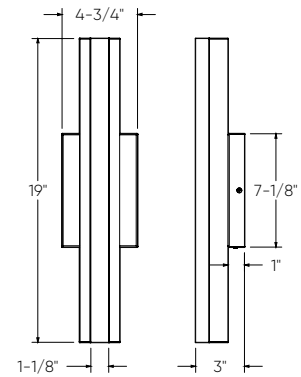
Create groups
 Set schedules
 Remote access*
 Compatible with Google Assistant and Amazon Alexa*



*Hub needed



DCP-LWS19



A21 Pro

Enter the world of Smart lighting with our array of dimmable LED Bluetooth controlled bulbs that emit a full spectrum of vibrant colors or tunable pure whites ranging from 2700 to 6500 K.



Model	Size	Watts	Delivered lumens	CRI	Color °T	Voltage
DCP-BLBA21	A21	12 W	1100 lm	90	RGB + 2700 K - 6500 K	120 V

Specifications

Excellent color rendering
 Full color spectrum
 2700K - 6500K in pure whites
 Superior LED performance and lifespan
 Minimal heat emission
 Suitable for enclosed fixtures
 Bluetooth mesh technology
 Dimmable through the Dals Connect app
 Over 50,000 hours of service life
 Suitable for wet locations
 5-year warranty

Finish

WH White

Accessories

DCP-RMCT
 Smart remote

Note

Add the DALS Connect Pro Hub for even greater flexibility: voice control, remote access, expanded mesh network, ability to connect up to 128 devices per Hub.

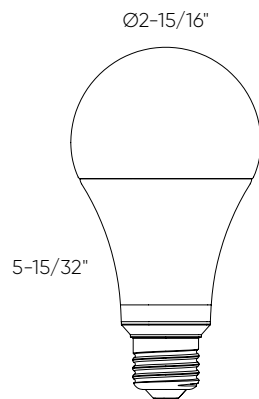
Download the Dals Connect app

Create groups
 Set schedules
 Remote access*
 Compatible with Google Assistant and Amazon Alexa*



*Hub needed

DCP-BLBA21



BR30 Pro

Enter the world of Smart lighting with our array of dimmable LED Bluetooth controlled bulbs that emit a full spectrum of vibrant colors or tunable pure whites ranging from 2700 to 6500 K.



Model	Size	Watts	Delivered lumens	CRI	Color °T	Voltage
DCP-BLBBR30	BR30	12 W	1200 lm	90	RGB + 2700 K - 6500 K	120 V

Specifications

Excellent color rendering
 Full color spectrum
 2700K - 6500K in pure whites
 Superior LED performance and lifespan
 Minimal heat emission
 Bluetooth mesh technology
 Dimmable through the Dals Connect app
 Over 50,000 hours of service life
 Suitable for wet locations
 5-year warranty

Finish

WH White

Accessories

DCP-RMCT
 Smart remote

Note

Add the DALS Connect Pro Hub for even greater flexibility: voice control, remote access, expanded mesh network, ability to connect up to 128 devices per Hub.

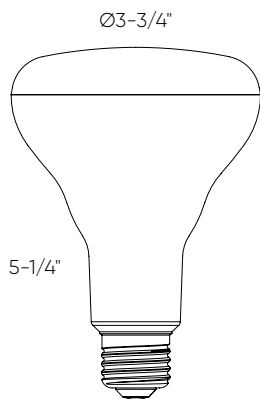
Download the Dals Connect app

Create groups
 Set schedules
 Remote access*
 Compatible with Google Assistant and Amazon Alexa*



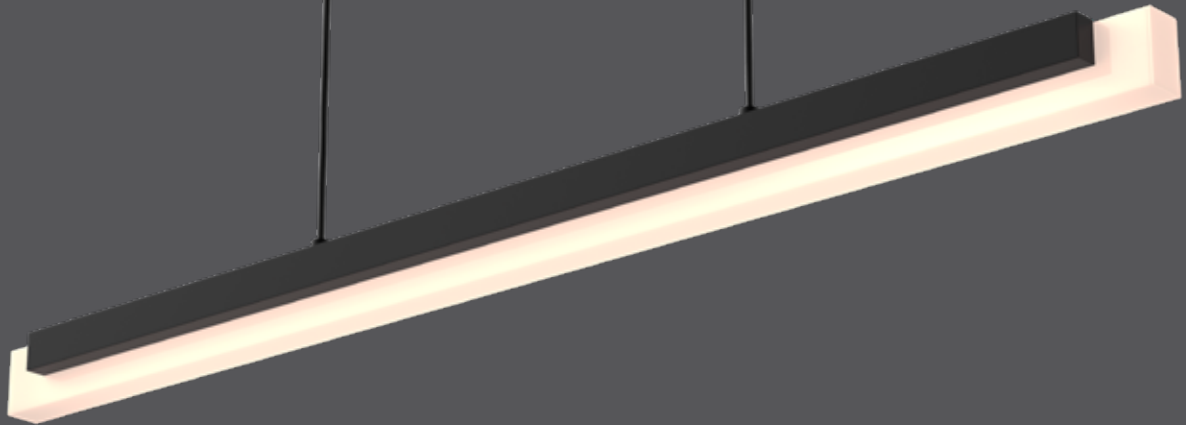
*Hub needed

DCP-BLBBR30



Architect pendant

New to the smart world? Here is our new smart linear pendant. This decorative pendant will definitely add to your family & friends gatherings or to your boardroom meetings. Controlled with the DALI Connect™ app and compatible with Google Home and Amazon Alexa this is the only missing piece to a fun and unique space.



Model	Size	Watts	Delivered lumens	LED lumens	CRI	Color °T	Voltage
SM-LPD39	39.5"	30 W	1665 lm	1830 lm	80+	RGB + 2700 K - 6500 K	120 V

Specifications

Made of extruded aluminum
 Over 50,000 hours of service life
 Adjustable height up to 10 feet
 Full color spectrum
 2700K - 6500K in pure whites
 Dimmable through the Dals Connect app only
 For indoor use only
 Canopy mount on 4" octagonal junction box
 5-year warranty

Finish

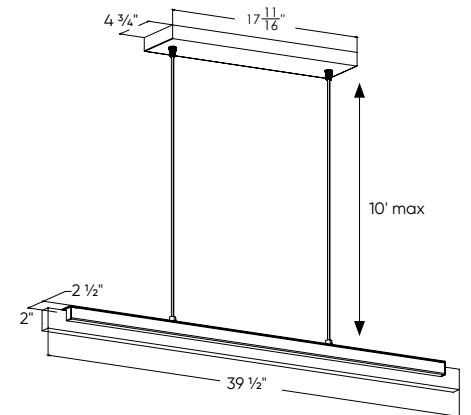
● **BK** Black

Download the Dals Connect app

Wi-Fi - no hub needed
 Create groups
 Set schedules
 Remote access
 Compatible with Google Assistant and Amazon Alexa

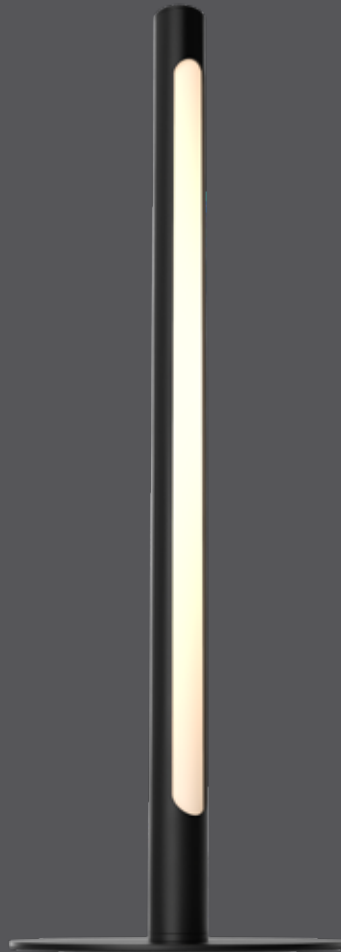


SM-LPD39



Axis digital table lamp

Enter the world of digital smart lighting with our dimmable LED Wi-Fi controlled devices that emit a full spectrum of vibrant colors or tunable pure whites ranging from 2700 to 6500 K. Enjoy tuning the light strip to your liking by controlling individual segments to create the exact lighting you want, or select from a list of smooth animations to set the mood. For tranquility and peace of mind, easily control and manage your lighting remotely with the DALI Connect™ app connected to your mobile device or through your preferred AI home assistant. Plus, with convenience in mind, an on-cord switch is included for added control.



Model	Size	Watts	Delivered lumens	CRI	Color °T	Voltage
SM-STTL20	20"	7 W	360 lm	80+	RGB + 2700 K - 6500 K	120 V

Specifications

- Excellent color rendering
- Full color spectrum
- 2700K - 6500K in pure whites
- Create gradients
- Preset animations
- Superior LED performance and lifespan
- Aluminum construction
- On-cord on/off physical switch
- Minimal heat emission
- Dimmable through the Dals Connect app
- Over 50,000 hours of service life
- Suitable for dry locations
- 5-year warranty

Finish

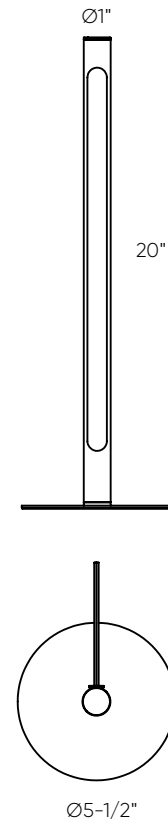
- **BK** Black

Download the Dals Connect app

- Wi-Fi - no hub needed
- Create groups
- Set schedules
- Remote access
- Compatible with Google Assistant and Amazon Alexa



SM-STTL20







Axis digital floor lamp

Enter the world of digital smart lighting with our dimmable LED Wi-Fi controlled devices that emit a full spectrum of vibrant colors or tunable pure whites ranging from 2700 to 6500 K. Enjoy tuning the light strip to your liking by controlling individual segments to create the exact lighting you want, or select from a list of smooth animations to set the mood. For tranquility and peace of mind, easily control and manage your lighting remotely with the DALI Connect™ app connected to your mobile device or through your preferred AI home assistant. Plus, with convenience in mind, an on-cord switch is included for added control.



NEW

DIGITAL

CHANGE COLORS

DRY

WiFi

ETL Intertek

Model	Size	Watts	Delivered lumens	CRI	Color °T	Voltage
SM-STFL50	50"	14 W	720 lm	80+	RGB + 2700 K - 6500 K	120 V

Specifications

Excellent color rendering
 Full color spectrum
 2700K - 6500K in pure whites
 Create gradients
 Preset animations
 Superior LED performance and lifespan
 Aluminum construction
 On-cord on/off physical switch
 Minimal heat emission
 Dimmable through the Dals Connect app only
 Over 50,000 hours of service life
 Suitable for dry locations
 5-year warranty

Finish

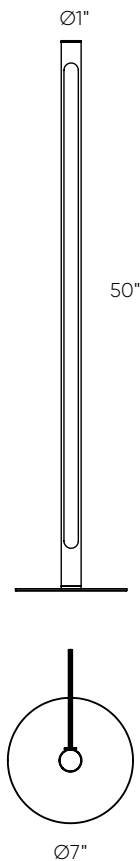
● **BK** Black

Download the Dals Connect app

Wi-Fi - no hub needed
 Create groups
 Set schedules
 Remote access
 Compatible with Google Assistant and Amazon Alexa



SM-STFL50



Excel smart

Our smart LED panel light will be a great addition to any project. The sleek and minimal construction allows for the easiest of installations with the added bonus of a wide range of colors and settings made possible by the DALI Connect App™.



Model	Size	Watts	Delivered lumens	CRI	Color °T	Voltage
SM-PNL4WH	4"	10 W	600 lm	80+	RGB + 2700 K - 6500 K	120 V
SM-PNL6WH	6"	15 W	1000 lm	80+	RGB + 2700 K - 6500 K	120 V

Specifications

Includes a junction box with integrated driver
 Over 50,000 hours of service life
 Full color spectrum
 2700K - 6500K in pure whites
 Dimmable through the Dals Connect app only
 Minimal heat emission
 Aluminum construction
 Suitable for dry locations
 IC certification (suitable for direct contact with insulation)
 5-year warranty

Finish

WH White

Accessories

REC-PT4-BB (SM-PNL4WH)
 4" recessed panel trim in brushed brass

REC-PT4-BK (SM-PNL4WH)
 4" recessed panel trim in black

REC-PT4-SN (SM-PNL4WH)
 4" recessed panel trim in satin nickel

REC-SMPT6-BK (SM-PNL6WH)
 6" recessed panel trim in black

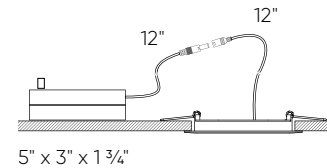
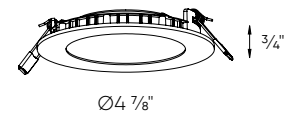
SM-PNLEXT108
 108" extension for smart recessed panel lights

Download the Dals Connect app

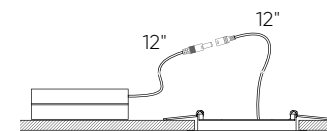
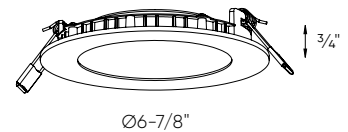
Wi-Fi - no hub needed
 Create groups
 Set schedules
 Remote access
 Compatible with Google Assistant and Amazon Alexa



SM-PNL4 Ø4 1/4" 



SM-PNL6 Ø6 1/4" 



3.75" x 3.5" x 1.25"

Delta smart

The ultra-slim design of our Smart ceiling fixture is the cornerstone of LED lighting technology. This flush mount emits a uniform and true light creating the ambient atmosphere you desire with the push of a button.



Model	Size	Watts	Delivered lumens	CRI	Color °T	Voltage
SM-FM08WH	8"	10 W	800 lm	80+	RGB + 2700 K - 6500 K	120 V
SM-FM14WH	14"	18 W	1400 lm	80+	RGB + 2700 K - 6500 K	120 V

Specifications

Excellent color rendering
 Full color spectrum
 2700K - 6500K in pure whites
 Superior LED performance and lifespan
 Minimal heat emission
 Dimmable through the Dals Connect app only
 Over 50,000 hours of service life
 Suitable for dry locations
 5-year warranty

Finish

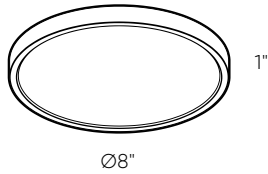
WH White

Download the Dals Connect app

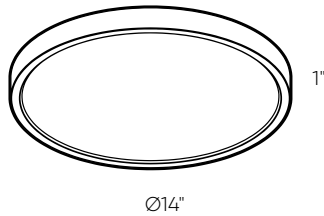
Wi-Fi - no hub needed
 Create groups
 Set schedules
 Remote access
 Compatible with Google Assistant and Amazon Alexa



SM-FM08WH



SM-FM14WH



A19 smart bulb

Enter the world of smart lighting with our array of dimmable LED Wi-Fi controlled bulbs that emit a full spectrum of vibrant colors or tunable pure whites ranging from 2700 to 6500 K. For tranquility and peace of mind, easily control and manage your lighting remotely with the DALI Connect™ app connected to your mobile device or through your preferred AI home assistant.



Model	Size	Watts	Delivered lumens	CRI	Color °T	Voltage
SM-BLBA19	A-19	9 W	800 lm	80+	RGB + 2700 K - 6500 K	120 V

Specifications

Excellent color rendering
 Full color spectrum
 2700K - 6500K in pure whites
 Suitable for enclosed fixtures
 800 lm = 60W bulb equivalent
 Dimmable through the Dals Connect app
 Over 50,000 hours of service life
 Suitable for dry locations
 5-year warranty

Finish

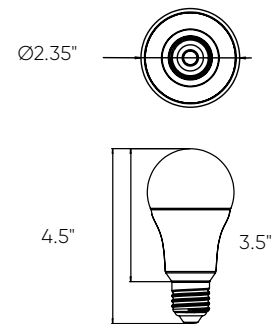
WH White

Download the Dals Connect app

Wi-Fi - no hub needed
 Create groups
 Set schedules
 Remote access
 Compatible with Google Assistant and Amazon Alexa



SM-BLBA19



BR30 smart

Enter the world of smart lighting with our array of dimmable LED Wi-Fi controlled bulbs that emit a full spectrum of vibrant colors or tunable pure whites ranging from 2700 to 6500 K. For tranquility and peace of mind, easily control and manage your lighting remotely with the DALI Connect™ app connected to your mobile device or through your preferred AI home assistant.



Model	Size	Watts	Delivered lumens	CRI	Color °T	Voltage
SM-BLBBR30	BR30	9 W	900 lm	80+	RGB + 2700 K - 6500 K	120 V

Specifications

Excellent color rendering
 Full color spectrum
 2700K - 6500K in pure whites
 Superior LED performance and lifespan
 Minimal heat emission
 Suitable for enclosed fixtures
 900 lm = 65W bulb equivalent
 Dimmable through the Dals Connect app
 Over 50,000 hours of service life
 Suitable for dry locations
 5-year warranty

Finish

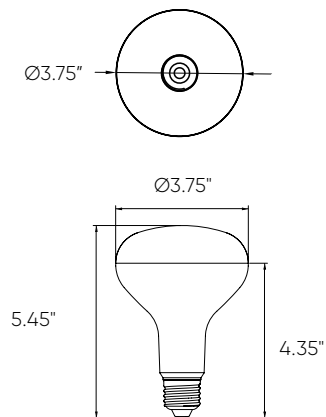
WH White

Download the Dals Connect app

Wi-Fi - no hub needed
 Create groups
 Set schedules
 Remote access
 Compatible with Google Assistant and Amazon Alexa



SM-BLBBR30



Smart tape

Experience technology at its finest with these Wi-Fi LED tape kits. You will have full control of your lighting design through your smartphone, allowing you to change colors at will, set schedules, and adjust light intensity. Anything is possible.



DRY



CHANGE COLORS



Intertek



Model	Size	Watts	Delivered lumens	CRI	Color °T	Voltage
SM-TAP3M	3m	14 W	950 lm	80+	RGB + 2700 K - 6500 K	12 V
SM-TAP5M	5m	17 W	1200 lm	80+	RGB + 2700 K - 6500 K	12 V

Specifications

Excellent color rendering
 Full color spectrum
 2700K - 6500K in pure whites
 Superior LED performance and lifespan
 Minimal heat emission
 Dimmable through the Dals Connect app
 Over 50,000 hours of service life
 1x 6" reconnect accessory included per meter (3m=3x / 5m=5x)
 Suitable for dry locations
 5-year warranty

Accessories

SM-TAPACCWM
 Wi-Fi module controller & remote for smart indoor tape

SM-TAPACCY
 6 in. "Y"-Splitter for smart indoor tape

SM-TAPEXT24
 24 in. extension for smart indoor tape

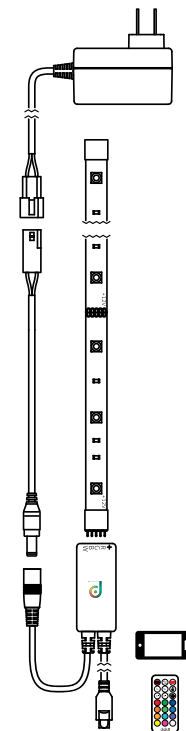
SM-TAPEXT60
 60 in. extension for smart indoor tape

Download the Dals Connect app

Wi-Fi - no hub needed
 Create groups
 Set schedules
 Remote access
 Compatible with Google Assistant and Amazon Alexa



SM-TAP3M	3m (118")
SM-TAP5M	5m (196")



Clicc

Upgrade your home automation with the Clicc smart remote and enjoy the perfect blend of local control and app integration for a truly connected smart home experience.



Model	Size	Programmable	Wall adapter	Number of supported devices	Battery
DCP-RMCT	2 5/8"	✓	✓	100	CR2032

Specifications

Indoor use only
 Controls any Dals Connect Pro device
 Tune whites and change colors
 Control lights from the remote or with the Dals Connect app
 Can be controlled locally (without internet)
 Fits any decorator wall plate (not included)
 Includes remote, CR2032 battery and magnetic wall plate adapter
 5-year warranty

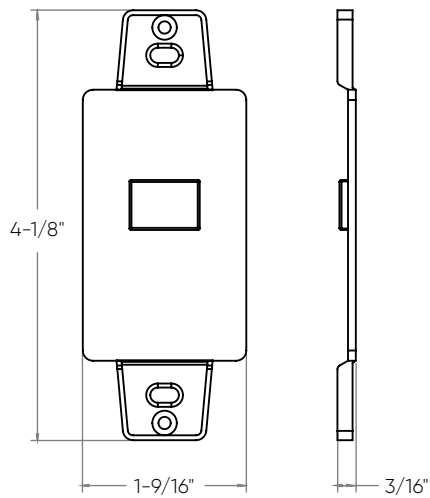
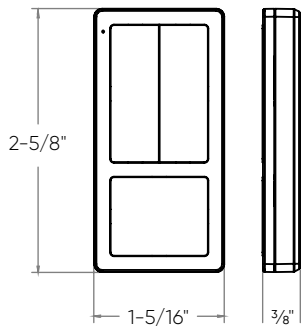
Finish

WH White

Download the Dals Connect app



DCP-RMCT



Smart wall controller

Transform any house into an easy-to-use smart home with our new smart wall controller and the DALI Connect App™. Four buttons to program and fully customize your own scenes. Convenience at your fingertips.



Model	Size	Programmable	Stand-by mode	Maximum load	Voltage
SM-WLCT	4 1/2"	✓	✓	500 W	120 V

Specifications

Indoor use only
 Control any Dals Connect device from this wall controller
 4 preset buttons to customize your own scenes for specific devices
 Control from the wall switch or with the Dals Connect app
 Stand-by mode, always connected even if the lights are off
 5-year warranty

Note

Requires a neutral wire. Works in a single-pole setup only. Secured 2.4 GHz wireless network required.

Finish

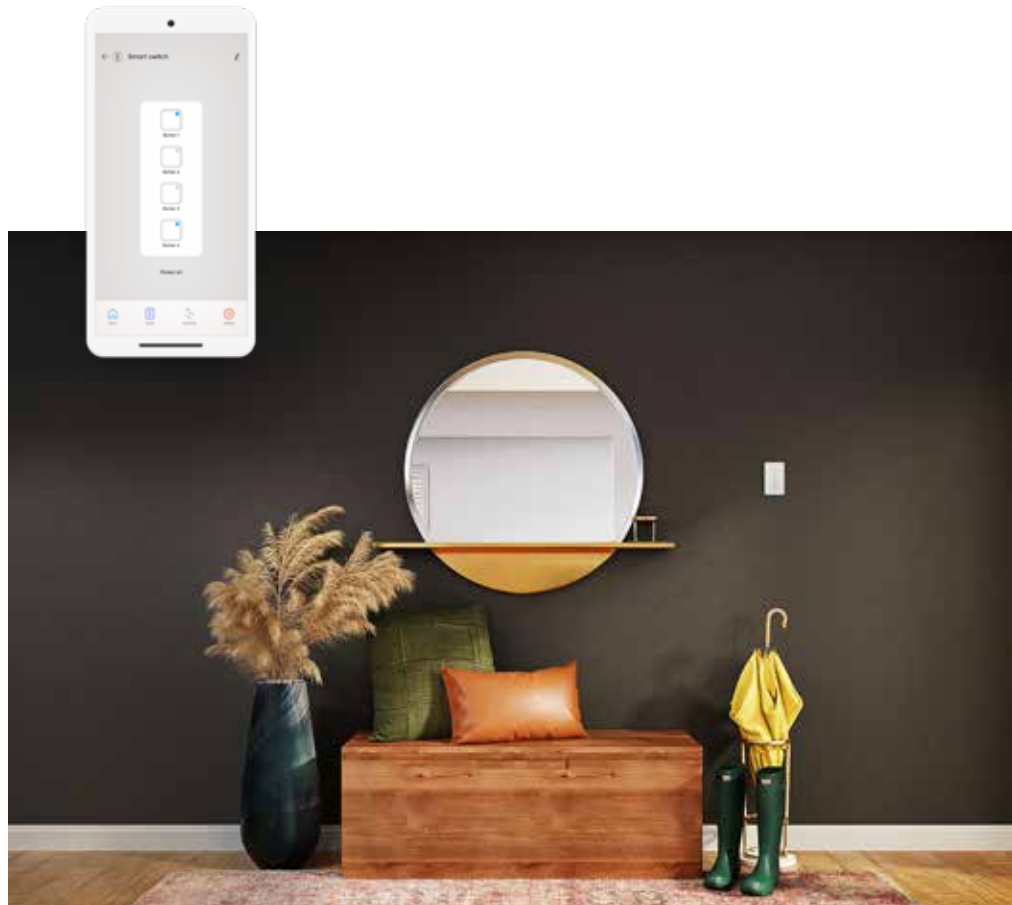
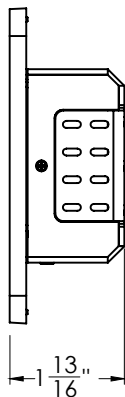
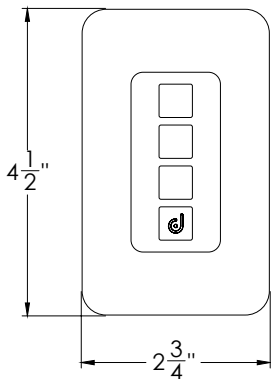
WH White

Download the Dals Connect app

Wi-Fi - no hub needed
 Create groups
 Set schedules
 Remote access
 Compatible with Google Assistant and Amazon Alexa



SM-WLCT



Smart plug

The DALS Smart Plug lets you control your lights, fans, coffee makers, and more. All you need is the easy-to-use DALS Connect App™ or a voice-enabled device like Amazon Echo, or the Google Assistant. With multiple smart plugs you can create groups, set timers and make your very own smart home.



Model	Size	Watts	Delivered lumens	CRI	Color °T	Voltage
SM-PLUG	2-3/4"	-	-	-	-	120 V

Specifications

Slim design allows two plugs on the same wall outlet

Control electric "non-smart" appliances & devices

Easily manage devices through the Dals Connect app

Maximum load of 1200 watts (10 amps)

Secured 2.4 Ghz wireless network required

Suitable for dry locations

5-year warranty

Finish

WH White

Download the Dals Connect app

Wi-Fi - no hub needed

Create groups

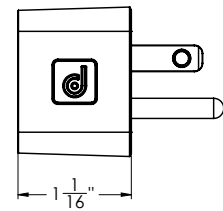
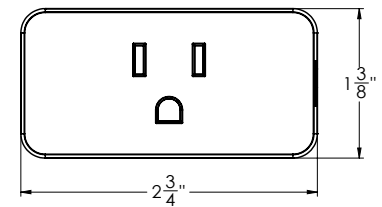
Set schedules

Remote access

Compatible with Google Assistant and Amazon Alexa



SM-PLUG



Smart dimmer switch

In need of a dimmer but not sure which one to get? Look no further. With the DALI Connect™ app, you will be able to create groups, set timers and much more. This is a great way to get to know smart home technologies and perhaps convince you to come and join us on the smart side with our ever growing smart product line.



Model	Size	Dimmer	Scheduling	Sunrise & Sunset setting	Alexa & Google Assistant compatible	Voltage
SM-DIMSW	4 1/2"	✓	✓	✓	✓	120 V

Specifications

Indoor use only
 Control from the wall switch or with the Dals Connect app
 LED brightness indicator
 Touch-sensitive slide dimmer
 Works with all "non-smart" standard lights
 Dimming type: TRIAC Edge cut
 Inductive load (LED-CFL): 250W max.
 Resistive load (incan.): 430W max.
 Standby power: 1W
 5-year warranty

Finish

WH White

Note

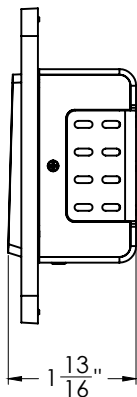
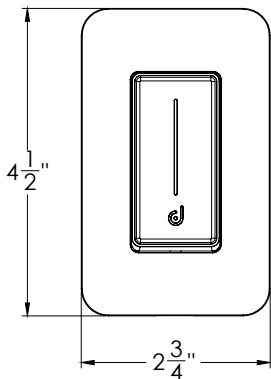
Does not work with Dals smart lights. Requires a neutral wire. Works in a single-pole setup only. Secured 2.4 GHz wireless network required.

Download the Dals Connect app









Wi-Fi - no hub needed
 Create groups
 Set schedules
 Remote access
 Compatible with Google Assistant and Amazon Alexa



SM-DIMSW



Accessories

SMART RECESSED ACCESSORIES				
Model		Compatibility	Finish	Specification
REC-SMPT6-BK 		SM-PNL6	Black	• 6 in. trim for SM-PNL6
REC-PT4-XX 		SM-PNL4	Brushed Brass Black Satin Nickel	• 4 in. trim for SM-PNL4
SM-PNLEXT108 		SM-PNL4 SM-PNL6	White	• 108 in. Extension for Smart Recessed Panel Lights
SM-RGREXT108 		SM-PNL4 SM-PNL6	White	• 108 in. Extension for Smart Regressed Lights

SMART INDOOR TAPE ACCESSORIES

Model		Compatibility	Finish	Specification
SM-TAPACCWM 		SM-TAP1M SM-TAP3M SM-TAP5M	White	<ul style="list-style-type: none"> • Wi-Fi Module Controller & Remote for Smart Indoor Tape
SM-TAPACCY 		SM-TAP1M SM-TAP3M SM-TAP5M	White	<ul style="list-style-type: none"> • 6 in. Y-Splitter for Smart Indoor Tape
SM-TAPEXT24 		SM-TAP1M SM-TAP3M SM-TAP5M	White	<ul style="list-style-type: none"> • 24 in. Extension for Smart Indoor Tape
SM-TAPEXT60 		SM-TAP1M SM-TAP3M SM-TAP5M	White	<ul style="list-style-type: none"> • 60 in. Extension for Smart Indoor Tape

Index

2003.....	76	CFLEDRO6-CC	240	DCP-RMCT	388	GBR35-CC-DUO.....	38
2004	76	CFLEDRI10-CC	240	DCP-SPT6	320	GBR35-CC	34
2006.....	76	CFLEDRI14-CC	240	DCP-STG48	338	GBR35-DW	34
4001-CC	104	CFLEDRI18-CC	240	DCP-STK20.....	330	GBR35SQ-CC.....	36
4005-CC.....	106	CFLEDSEQ06-CC.....	242	DCP-STK50.....	330	GMB2	48
4006	108	CFLEDSEQ10-CC	242	DCP-TR200.....	318	GMB4	48
5003-CC	74	CFLEDSEQ14-CC.....	242	DCP-TR300.....	318	GPN4-CC.....	30
5004-CC.....	74	CFPD20-CC.....	170	DCP-TR60	318	GPN6-CC.....	30
5004-DW	74	COB-TAPE	92	DD1260	118	GSP3-CC	28
5004-FR-CC	74	COBTP-REEL.....	92	DDP4-CC	64	H	
5004SQ-CC	72	COBTP1M.....	92	DDP6-CC	64	HLF09.....	100
5005-CC.....	74	COBTP3M.....	92	DRR2-CC	66	HLF12.....	100
5006-CC.....	74	COBTP5M.....	92	DRR4-CC	66	HLF18	100
5006-FR-CC.....	74	D		DRR6-CC	66	HLF24.....	100
6001-CC.....	110	DCP-45HP20	328	F		HLF30.....	100
6009CC.....	98	DCP-BLBA21	366	FDB-CC.....	220	HPD4-CC	62
6012CC	98	DCP-BLBBR30.....	368	FGM2-CC.....		HPD6-CC	62
6024CC	98	DCP-BRK12	332	FGM3-CC.....	42	HPD8-CC	62
6036CC	98	DCP-CGWS	362	FGM4-CC-DUO	46	I	
6048CC.....	98	DCP-CPL24	326	FGM4-3K.....	42	IND4-DW.....	60
9009CC.....	102	DCP-DDP4	352	FGM4-CC.....	42	IND6-DW.....	60
9012CC	102	DCP-DDP4	352	FGM4SQ-CC	44	K	
9018CC.....	102	DCP-DDP6.....	352	FGM6-CC.....	42	K4005-CC.....	106
9024CC	102	DCP-DDP6.....	352	FMM09-CC	244	L	
9030CC.....	102	DCP-DDP6.....	352	FMM12-CC.....	244	LEDDOWNG3.....	48
B		DCP-FLD30.....	324	FMP05-CC	246	LEDDOWNG4.....	48
BRPD18-CC.....	150	DCP-GBR35.....	350	FMP05M-CC	246	LEDPATH003D	312
BRPD40-CC	148	DCP-GRD4	322	FMP09-CC	246	LEDPATH004D	312
BRV24-CC.....	194	DCP-HUB	348	FMP12-CC	246	LEDPNLRTF56-CC.....	80
BRV36-CC.....	194	DCP-LNPD48.....	360	FMT18-CC	222	LEDRDM1	112
BT06DIM-IC.....	116	DCP-LNR24.....	358	FPD-CC	164	LEDRDP18.....	114
BT12DIM-IC.....	116	DCP-LNR48.....	358	FPD60-CC	162	LEDSTEP002D-CC.....	278
BT24DIM-IC.....	116	DCP-LWS19.....	364	FUZ11-CC.....	232	LEDSTEP004D-CC.....	280
BT36DIM.....	116	DCP-NFTAP5M	336	G		LEDSTEP005D-CC.....	282
BT48DIM.....	116	DCP-PNL4.....	354	GBR04-CC.....	34	LEDVAN001-CC-18	210
C		DCP-PNL4Q.....	354	GBR04-DW.....	34	LEDVAN001-CC-24.....	210
CCFM-CC	218	DCP-PNL6.....	354	GBR06-CC.....	34	LEDVAN002-CC-24	214
CFG13-CC.....	236	DCP-PNL6.....	354	GBR06-DW.....	34		
CFH12.....	234	DCP-RK10	334				
		DCP-RK18	334				

LEDVAN002-CC-36	214
LEDVAN003-CC-24	216
LEDVAN003-CC-32	216
LEDWALL-A	260
LEDWALL-B	262
LEDWALL-E	264
LEDWALL-G-CC	266
LEDWALL-H	268
LEDWALL001D	272
LEDWALL002D	274
LHS07-CC	310
LINU04	94
LINU12	94
LNPD48-CC	134
LNR24-CC	32
LNR48-CC	32
LPL26-CC	306
LPP20-CC	304
LRB20-CC	308
LRB30-CC	308
LSP3-CCL	300
LSP4-CCL	300
LSQP-CC	302
LSS10-CC	298
LSTP07-CC	284
LTR-300	314
LTRP-60	314
LWJ08-16-CC	256
LWJ08-24-CC	256
LWJ08-CC	256

M

MFD03-CC	50
MSL1-CC	52
MSL10-CC	54
MSL10G-CC	54
MSL2-CC	52
MSL4-CC	54
MSL5-CC	54
MSL5G-CC	54

MSLPD48-CC	136
MSLWALL-CC	258

P

PDC18-CC	190
PDLED120-24	186
PDLED120-36	186
PDLED120-48	186
PDLED120-5	188
PDLED120-5SQ	188
PDLED120-60	186
PDLED120-8	188
PDLED120-8SQ	188
PDR14-CC	176

R

RGM2-CC	40
RGM4-CC	40
RGM6-CC	40
RGPD24-CC	168
RGR1-CC	56
RGR2-CC	56
RGR2-HP-CC	56
RGR2SQ-CC	58
RGR4-CC	56
RGR4-HP-CC	56
RGR4SQ-CC	58
RGR6-CC	56
RGR6SQ-CC	58
RRPD2-CC	154
RRPD5-CC	152
RTF4-3K	78
RTF4-CC	78
RTL-3C	296
RWS24-CC	250
RWS48-CC	250
RWS60-CC	250

S

SLPD60-CC	142
SM-BLBA19	382

SM-BLBBR30	384
SM-DIMSW	394
SM-FM08/14	380
SM-FM08	380
SM-FM14	380
SM-LPD39	370
SM-PLUG	392
SM-PNL4	378
SM-PNL6	378
SM-STFL50	376
SM-STTL20	372
SM-TAP3M	386
SM-TAP5M	386
SM-WLCT	390
SPD48	138
SPD72	138
SPN4-CC	68
SPN4SQ-CC	70
SPN6-CC	68
SPN6SQ-CC	70
SPR20-CC	156
SPR34-CC	156
SQS06	270
SQS10	270
SQSTP-CC	276
SSF20-CC	226
SSPD32-CC	178
STK21	208
STK37	208
STRFL	182
STRFM	228
STRPD	180
SWIVLED12-CC	96
SWS24-CC	206
SWS36-CC	206
SWS60-CC	206
SWS48-CC	252

T

TLFM12-CC	238
-----------------	-----

TLFM21-CC	238
TRFM22-CC	230
TRPD34-CC	172
TWPD-CC	160
TWPS	158

V

VCC24-CC	202
VCC36-CC	202
VDL40-CC	196
VLG24-CC	204
VLG36-CC	204
VLG364-CC	204
VRB24-CC	198
VSW24-CC	200
VSW36-CC	200

W

W1PD48-CC	144
W3FM-CC	224
W3PD36-CC	146

dals

Canada

80, blvd. de la Seigneurie, East
Blainville, Quebec J7C 4N1
450 430 1818

U.S.A

4383, NW 124th Ave.,
Coral Springs, Florida 33065

Customer service

877 430 1818

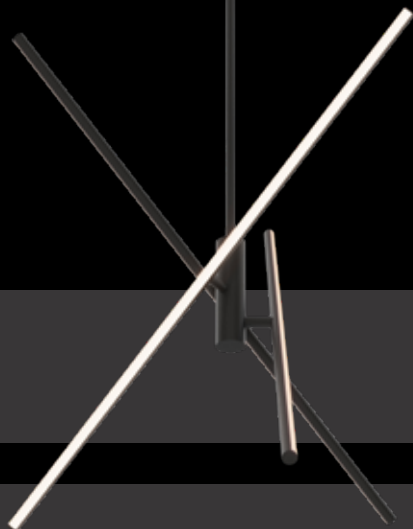
For information regarding distributors
and points of sale please visit our website
dals.com or email: info@dals.com



dals.com

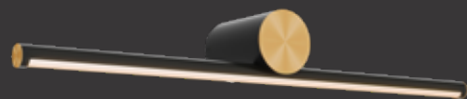


dals



LIGHTING

DESIGN



GUIDE



2024

