

# CLICC

Upgrade your home automation with the Clicc smart remote and enjoy the perfect combination of local control and app integration for a seamlessly connected smart home experience. Effortlessly integrate your Dals Connect Pro products for centralized control over multiple devices. The remote is easily detachable from its wall plate, allowing you to take it anywhere in your home. Adjust color temperatures, dim the lights, or select vibrant hues—all with ease from this versatile remote.

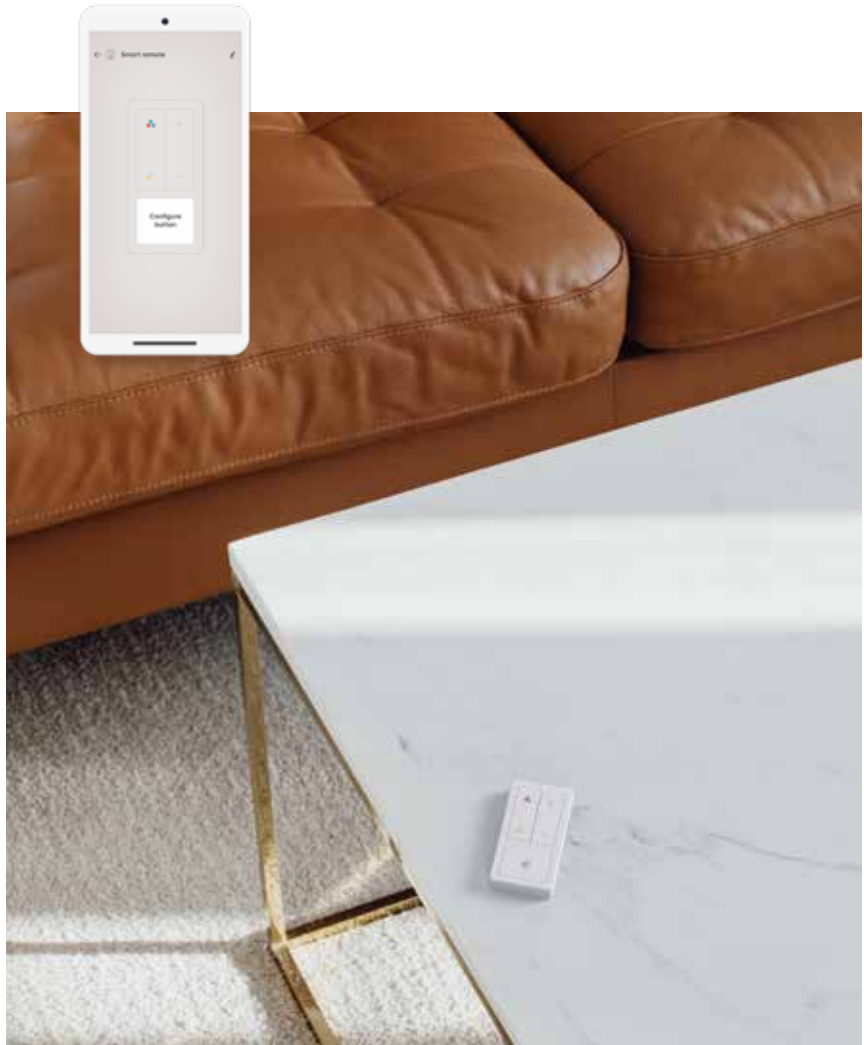
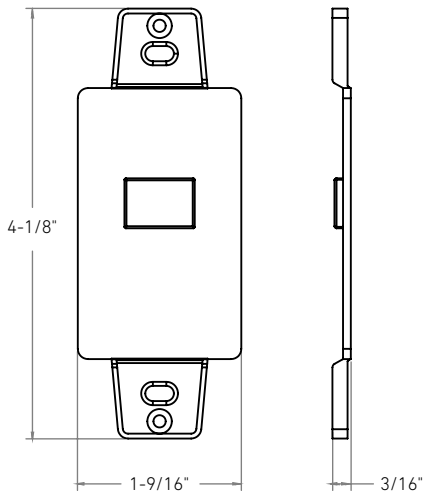
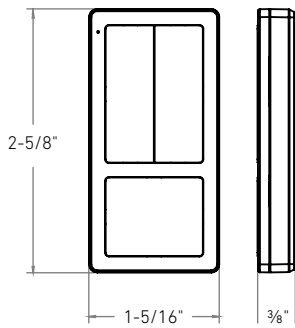


DCP-RMCT



Model	Size	Programmable	Wall adapter	Number of supported devices	Battery
DCP-RMCT	2 5/8"	√	√	100	CR2032

## DCP-RMCT



### Specifications

Indoor use only  
Controls any Dals Connect Pro device  
Tune whites, change colors, dim or turn on/off the lights  
Control your lights locally, without an internet connection, directly from the remote  
Fits any decorator wall plate (not included)  
Includes remote, CR2032 battery and magnetic wall plate adapter  
5-year warranty

### Finish

**WH** White

### Download the Dals Connect app

