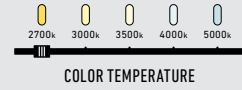
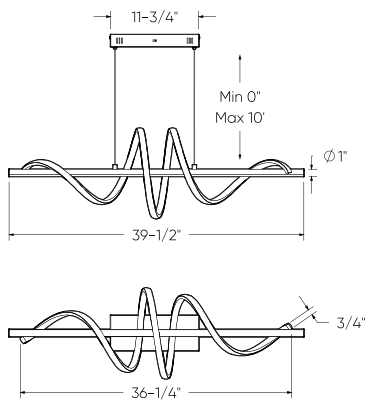
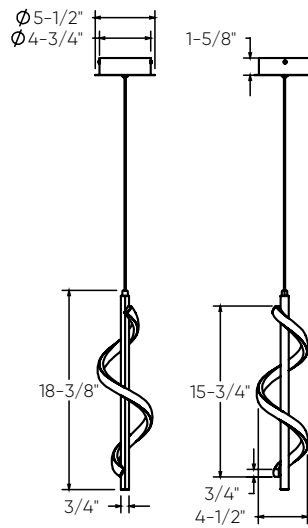
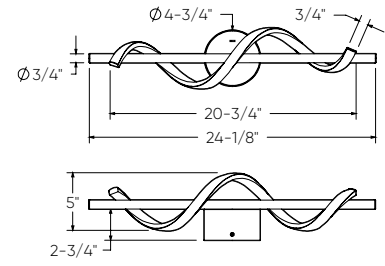
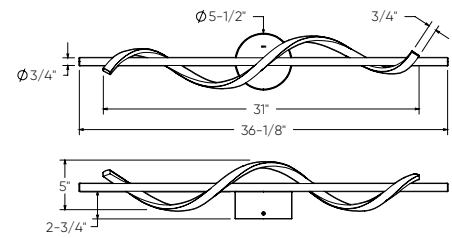


SPIN

Illuminate your space with style, efficiency, and a touch of architectural brilliance with the Spin LED series



Model	Size	Watts	Delivered lumens	CRI	Color °T	Voltage
BRPD40-CC*	40"	41 W	2410 lm	80	2700, 3000, 3500, 4000, 5000 K	120 V
BRPD18-CC*	18"	15 W	880 lm			
BRV24-CC**	24"	15 W	880 lm			
BRV36-CC**	36"	22 W	1490 lm			

BRPD40-CC**BRPD18-CC****BRV24-CC****BRV36-CC****Specifications**

Pendant height adjustable up to 10 feet
 Switch-selectable CCT
 Integrated dimmable driver
 Canopy mount on 4" octagon junction box
 5-year warranty

Finish

● **BK** Black

Note

Other color temperatures, finishes, and voltage options are available but may require minimum order quantities (MOQs) and longer lead times. Please contact your DALI representative for more information.