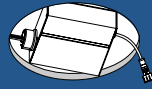




RECESSED

RECESSED 18-75



22
INSTALLATION
GUIDE



26
BOULEVARD
LNR24/48-CC
LNR24/48-CC-V



28
REVOLVE
GBR35-CC
GBR06-CC



282
REVOLVE PRO
DCP-GBR35



30
FACET
RGM2/4/6-CC



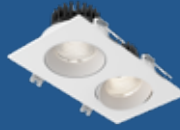
32
PIVOT
FGM3/4/6



34
PIVOT DUO
FGM4-CC-DUO



36
SCOPE
LEDDOWNG3/G4
GMB2/4



38
REVOLVE DUO
GBR35-CC-DUO



40
APERTURE
MFD03-CC



42
PINPOINT SERIES
MSL1/2



44
PINPOINT SERIES
MSL4/5/10/5G/10G



46
ELEMENT
RGR2/4/6-CC



48
ELEMENT SQUARE
RGR2/4/6SQ-CC



306
ELEMENT SMART
SM-RGR4



50
INDIRECT
IND4/6



52
HILUX
HPD4/6/8-CC
HPD4/6/8-CC-V



54
ETCH
DDP4-CC
DDP6-CC



284
ETCH PRO
DCP-DDP4
DCP-DDP6



56
NOTCH
DRR4/6-CC
DRR4/6-CC-V



58
MYSTIQUE
SPN4-CC
SPN6-CC



60
MYSTIQUE SQUARE
SPN4SQ-CC
SPN6SQ-CC



62
EXCEL
5003-CC/5004-CC
5005-CC-5006-CC



64
EXCEL SQUARE
5004SQ-CC



286
EXCEL PRO
DCP-PNL4
DCP-PNL6



308
EXCEL SMART
SM-PNL4
SM-PNL6



66
ACCESS
2004
2006



68
ALTER SERIES
RTF4-3K
RTF4-CC



70
ALTER SERIES
LEDPNLRTF56-CC

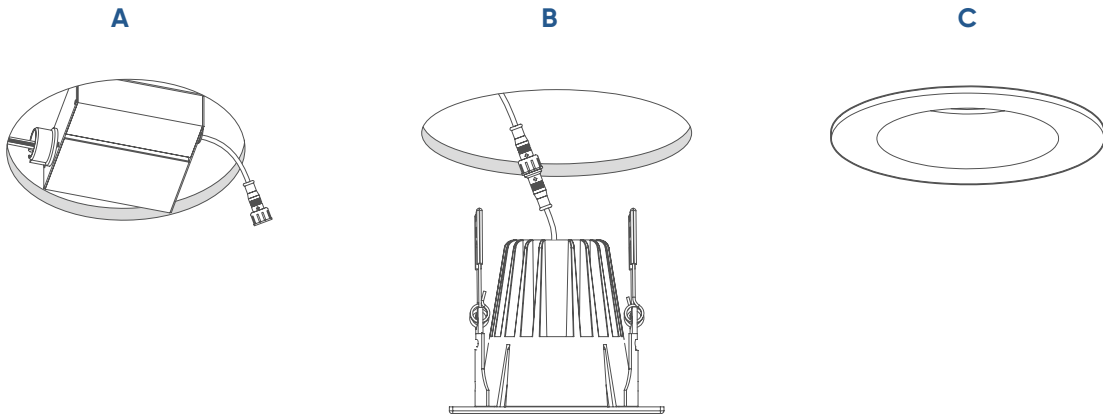


72
ACCESSORIES



Proper Sizing, Spacing and Downlighting Techniques

The components Our recessed kits include two main components: the driver and the fixture.



The driver (A)

is what is recessed into the ceiling and consists of the electrical parts that bring power to the light.

The fixture (B & C)

is what's visible to people in the room and gives the light its aesthetic.

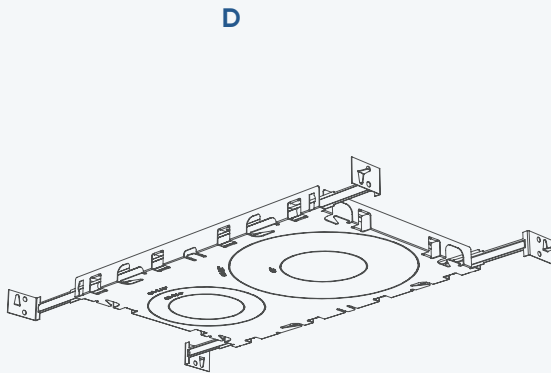


Fixtures and drivers are sized to correlate with one another and are sold together with all of our recessed lights.

Panels. Spotlights. Downlights. Whatever you call recessed lights, they're some of the most versatile lighting options out there. The most common use of recessed lighting, and what we'll focus on here, is recessed downlighting from the ceiling.

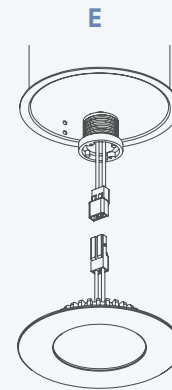
Installation type

What fixture you choose starts with knowing whether it will be used in a new construction, a remodel or as a retrofit.



New construction

Locations with visible ceiling joists and without drywall. Lights can be used with our rough-in plates (**D**) to help in the installation process.



Remodels

When the joists are not exposed or if you want to upgrade your current system to LED.

Retrofit

When an existing bulb is removed from the original housing, and replaced with an LED trim (**E**).

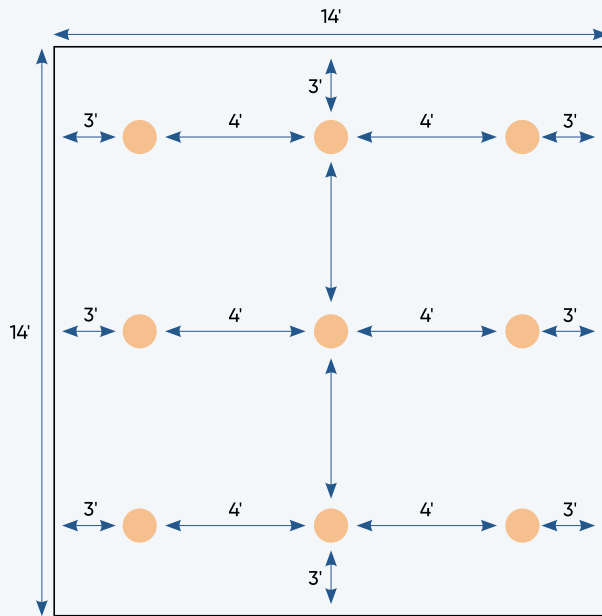
**GOOD
TO KNOW!**

Most of Dals' recessed fixtures are designed for new construction and remodels. These fixtures are installed through a small opening in the ceiling and held in place with clips.

**GOOD
TO KNOW!**

A rough-in plate is designed for new construction or renovations where the ceiling framing is exposed. It allows for proper placement of your recessed light and is made from sturdy galvanized steel.

How many downlights do I need?



A simple method for estimating the number of downlights required is as follows:

Recessed downlights are generally positioned 2 to 3 feet away from walls with a space of 3 to 4 feet between each light. Dividing the ceiling height by two is a way of gauging how much space to leave between each downlight.

Thus, if your ceiling is 8 foot high, place your lights 4 feet apart.



In Canada, 4" recessed lights are the most popular, in the U.S., 6" are most commonly used.



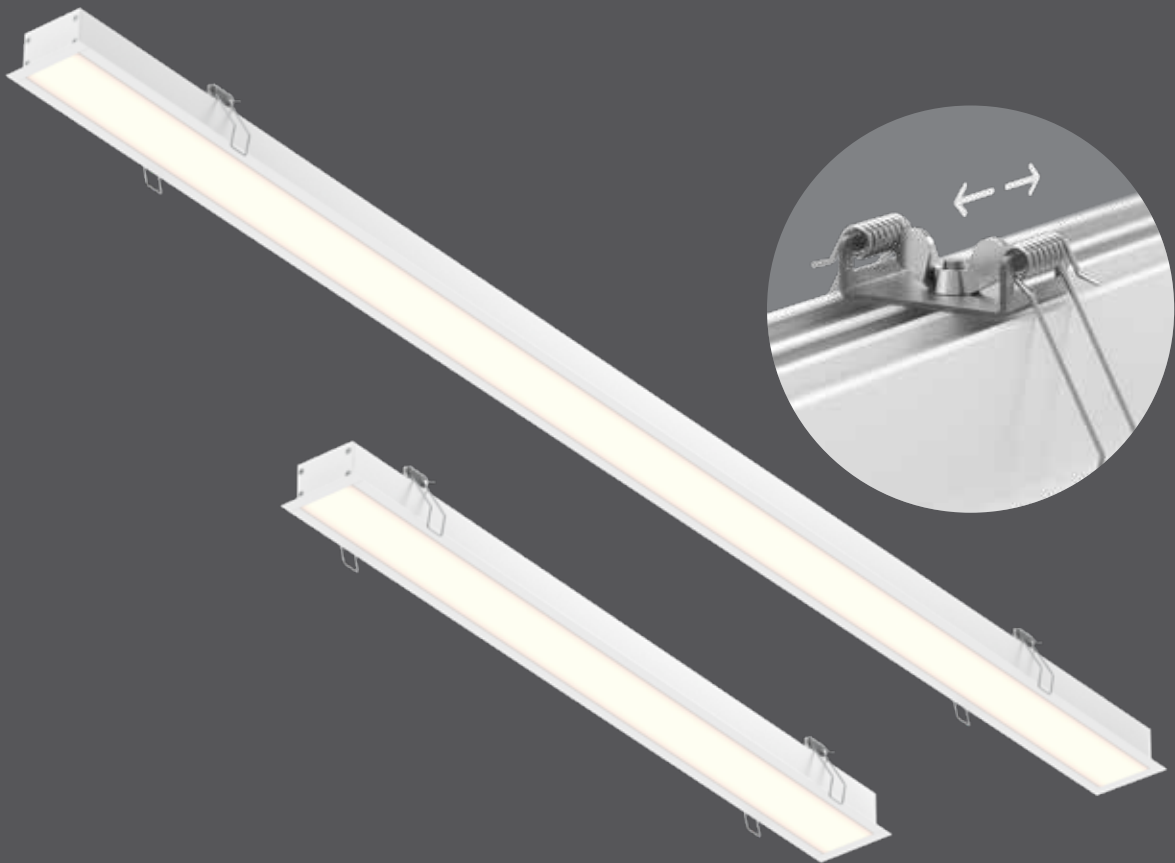
Boulevard

The Boulevard series, an architectural recessed lighting channel that can be installed in a wide range of commercial and residential environments. Add depth to ceiling planes with a visible separation, or seamlessly daisy-chained to create dramatic effects.

NEW WET AIR TIGHT ENERGY STAR ETL Intertek IC RATED JA8 CERTIFIED

2700k 3000k 3500k 4000k 5000k

COLOR TEMPERATURE



Model	Size	Watts	Delivered lumens	CRI	Color °T	Voltage
LNR24-CC	24"	20 W	1725 lm	90	2700, 3000, 3500, 4000, 5000 K	120 V
LNR24-CC-V*	24"	20 W	1725 lm			120, 277, 347 V
LNR48-CC	48"	40 W	3760 lm			120 V
LNR48-CC-V*	48"	40 W	3760 lm			120, 277, 347 V

* 0-10V dimming

Specifications

Every fixture includes a junction box with integrated dimmable driver
 Can be daisy chained
 Superior LED performance and lifespan
 Minimal heat emission
 Aluminum construction
 Switch-selectable CCT: 2700K/
 3000 K/3500 K/4000 K/5000 K
 108° beam spread
 IC certification (suitable for direct
 contact with insulation)
 Air-tight certified as per ASTM E283-04
 Suitable for wet locations
 Refer to website for dimmer compatibility
 Ideal operating temperature:
 -20° to 40° C
 5-year warranty

Finish

○ **WH** White

Accessories


LNACC-L16FT
 16" extension cable

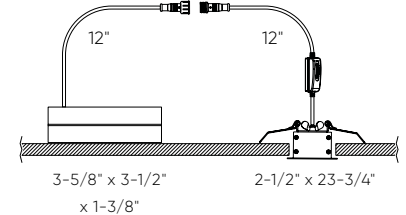
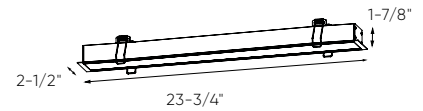
RFP-LNR24
 Rough-in plate


RFP-LNR48
 Rough-in plate

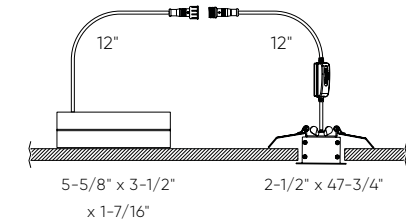
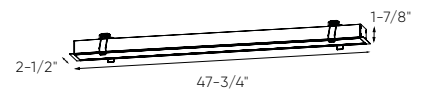
Note

Other color °T, finishes, and voltage options are available but may require MOQ's and longer lead times. Please contact your DALI representative for more information.

LNR24-CC 23-3/8" x 2-1/8" 
LNR24-CC-V



LNR48-CC 47-7/16" x 2-1/8" 
LNR48-CC-V



Revolve

Our Recessed family has grown with a new range of adjustable downlights. The effortless design and high functionality of these fixtures are sure to make a welcome addition in any room.

- NEW**
- WET**
- LOW-GLARE**
- ENERGY STAR**
- ETL US Intertek**
- IC RATED**
- JA8 CERTIFIED**
- 30°**
SWIVEL/DIRECTIONAL
- AIR TIGHT**
- COLOR TEMPERATURE**
2700k 3000k 3500k 4000k 5000k



Model	Size	Watts	Delivered lumens	CRI	Color °T	Voltage
GBR35-CC	3.5"	12 W	860 lm	90	2700, 3000, 3500, 4000, 5000 K	120 V
GBR06-CC	6"	20 W	1600 lm			

Specifications

Every fixture includes a junction box with an integrated driver
 Over 50,000 hours service life
 Switch-selectable CCT: 2700 K/3000 K/3500 K/4000 K/5000 K
 40° beam angle
 30° tilting, 360° rotation
 Cast aluminum construction
 Suitable for wet locations
 Refer to website for dimmer compatibility
 IC certification (suitable for direct contact with insulation)
 Air-tight certified as per ASTM E283-04
 5-year warranty

Finish

- **BK** Black
- **WH** White

Note

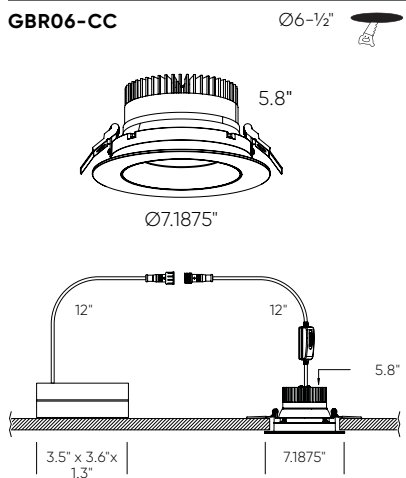
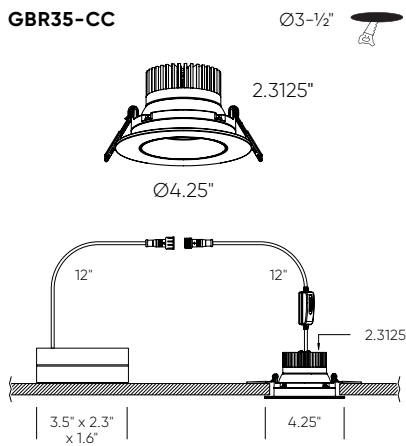
Other color °T, finishes, and voltage options are available but may require MOQ's and longer lead times. Please contact your DALI representative for more information.

Accessories

RFP-UNI (GBR06)
 Universal rough-in plate

RFP-35 (GBR35)
 Rough-in plate

RFP-46 (GBR06)
 Rough-in plate



Facet

This versatile modern thin-trim 2, 4 and 6-inch gimbal with multi-directional adjustable swivel produces a bright glow with minimal glare as a result of its regressed light source. Ideal for general lighting or for areas requiring a directional light to showcase unique elements or to create dramatic wall-wash effects.

UPGRADE

WET LOW-GLARE SWIVEL/DIRECTIONAL 30°

AIR TIGHT 2700k 3000k 3500k 4000k 5000k ENERGY STAR **JA8** CERTIFIED

ETL Intertek IC RATED



Model	Size	Watts	Delivered lumens	LED lumens	CRI	Color °T	Voltage
RGM2-CC	2"	8 W	660 lm	800 lm	90	2700, 3000, 3500, 4000, 5000 K	120 V
RGM4-CC	4"	12 W	1200 lm	1400 lm			
RGM6-CC	6"	20 W	1500 lm	1800 lm			

Specifications

Every fixture includes a junction box with integrated dimmable driver
 Can be daisy chained
 Superior LED performance and lifespan
 Regressed light source
 Minimal heat emission
 Aluminum construction
 Switch-selectable CCT: 2700K/3000 K/3500 K/4000 K/5000 K
 IC certification (suitable for direct contact with insulation)
 Air-tight certified as per ASTM E283-04
 40° beam angle
 30° tilting, 360° rotation
 Suitable for wet locations
 Refer to website for dimmer compatibility
 Ideal operating temperature:
 -20° to 40° C
 5-year warranty

Finish

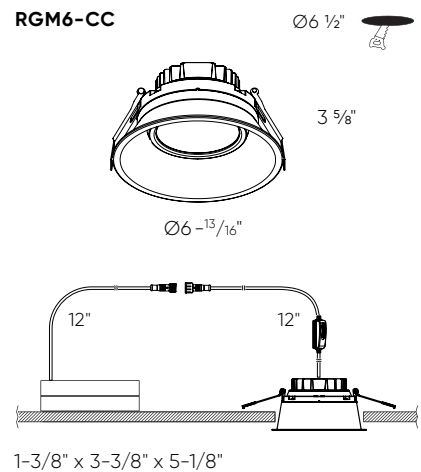
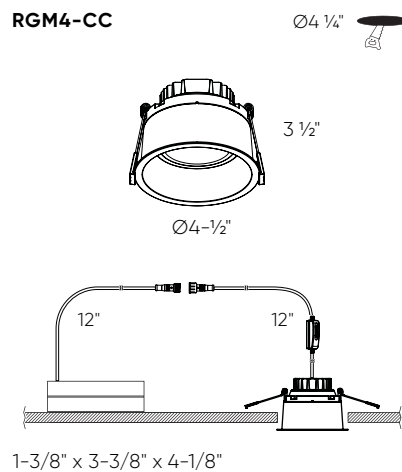
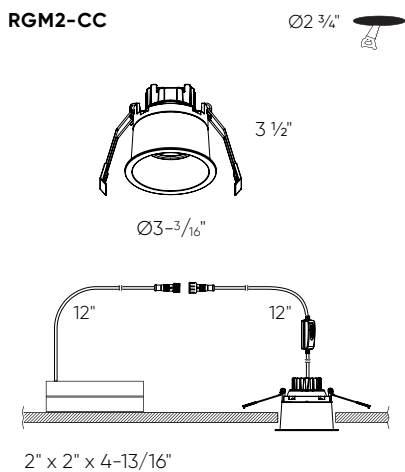
- **BK** Black
- **WH** White

Accessories

- RFP-UNI**
Universal rough-in plate
- RFP-23**
Rough-in plate for 2" model
- RFP-46**
Rough-in plate for 4" and 6" models

Note

Other color °T, finishes, and voltage options are available but may require MOQ's and longer lead times. Please contact your DALs representative for more information.



Pivot

When searching for lighting flexibility, look no further than our 3", 4" & 6" flat gimbal LED downlights. With powerful lumen output and the ability to direct light with a 360° rotation and a 90° tilt angle, this product will meet your every need.

UPGRADE

WET SWIVEL/DIRECTIONAL 90°

ETL Intertek IC RATED

AIR TIGHT

COLOR TEMPERATURE* 2700k 3000k 3500k 4000k 5000k

ENERGY STAR CERTIFIED **JA8**



*Models FGM3-CC, FGM4-CC, FGM4-CC-V, and FGM6-CC only

Model	Size	Watts	Delivered lumens	LED lumens	CRI	Color °T	Voltage
FGM4-3K	4"	9 W	700 lm	850 lm	90	3000 K	120 V
FGM3-CC	3"	6 W	540 lm	690 lm		2700, 3000, 3500, 4000, 5000 K	120 V
FGM4-CC	4"	9 W	700 lm	850 lm			120 V
FGM4-CC-V-WH*	4"	9, 10 W	700 lm	850 lm			120, 277 V
FGM6-CC	6"	14.5 W	1050 lm	1200 lm			120 V

* 0-10V dimming, white finish only

Specifications

Every fixture includes a junction box with integrated dimmable driver
 Can be daisy chained
 Superior LED performance and lifespan
 90° tilting, 360° rotation
 Minimal heat emission
 Aluminum construction
 Switch-selectable CCT: 2700K/3000 K/3500 K/4000 K/5000 K*
 Low profile
 40° beam spread
 IC certification (suitable for direct contact with insulation)
 Air-tight certified as per ASTM E283-04
 Suitable for wet locations
 Ideal operating temperature: -20° to 40° C
 5-year warranty

Finish

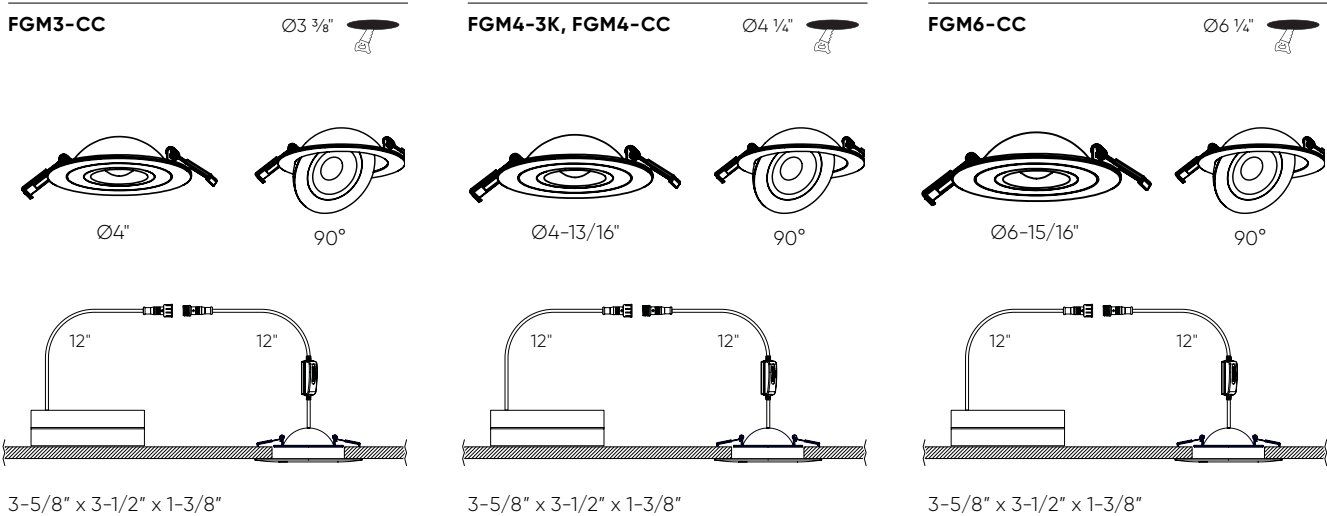
- **BK** Black
- **SN** Satin Nickel (FGM4, FGM6 only)
- **WH** White

Accessories

- RFP-UNI**
Universal rough-in plate
- RFP-46**
Rough-in plate for 4" and 6" models

Note

Other color °T, finishes, and voltage options are available but may require MOQ's and longer lead times. Please contact your DALI representative for more information.



Pivot Duo

With an infinite choice of beam direction, Pivot Duo provides a discrete yet functional solution to general or accent lighting within your space.

NEW WET SWIVEL/DIRECTIONAL 90° ETL IC ENERGY STAR JA8

2700k 3000k 3500k 4000k 5000k
COLOR TEMPERATURE

Intertek RATED
ENERGY STAR CERTIFIED



Model	Size	Watts	Delivered lumens	LED lumens	CRI	Color °T	Voltage
FGM4-CC-DUO	4"	18 W	1475 lm	1620 lm	90	2700, 3000, 3500, 4000, 5000 K	120 V

Specifications

Includes a junction box with integrated dimmable driver
 Can be daisy chained
 Superior LED performance and lifespan
 90° tilting, 360° rotation
 Minimal heat emission
 Aluminum construction
 Switch-selectable CCT: 2700K/3000 K/3500 K/4000 K/5000 K
 Low profile
 40° beam spread
 IC certification (suitable for direct contact with insulation)
 Air-tight certified as per ASTM E283-04
 Suitable for wet locations
 Ideal operating temperature: -20° to 40° C
 5-year warranty

Finish

○ **WH** White

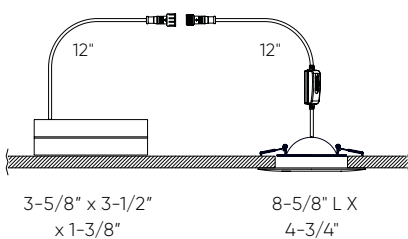
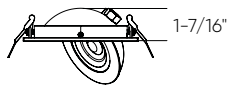
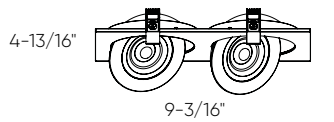
Accessories

RFP-DUO
 Rough-in plate

Note

Other color °T, finishes, and voltage options are available but may require MOQ's and longer lead times. Please contact your DALI representative for more information.

FGM4-CC-DUO 8-5/8" X 4-3/4" 



Scope

There are moments when you want the ability to direct light as you please. With our LED Gimbal recessed fixture, this has now become a reality with the easiest of installations.

UPGRADE  WET   **IC** RATED **JA8** CERTIFIED

30°  SWIVEL/DIRECTIONAL  AIR TIGHT  2700k 3000k 3500k 4000k 5000k COLOR TEMPERATURE



Model	Size	Watts	Delivered lumens	LED lumens	CRI	Color °T	Voltage
GMB2-CC	2"	8 W	725 lm	900 lm	90	2700, 3000, 3500, 4000, 5000 K	120 V
LEDDOWNG3-CC	3"	8 W	680 lm	750 lm			
LEDDOWNG4-CC	4"	8 W	680 lm	750 lm			
GMB4-CC	4"	11 W	810 lm	1000 lm			

Specifications

Every fixture includes a junction box with integrated dimmable driver
 Can be daisy chained
 Superior LED performance and lifespan
 30° tilting, 360° rotation
 Minimal heat emission
 Aluminum construction
 Switch-selectable CCT: 2700K/3000 K/3500 K/4000 K/5000 K
 Low profile
 40° beam spread
 IC certification (suitable for direct contact with insulation)
 Air-tight certified as per ASTM E283-04
 JA8 Certified
 Suitable for wet locations
 Refer to website for dimmer compatibility
 Ideal operating temperature: -20° to 40° C
 FT6 rated cable
 5-year warranty

Finish

- **BK** Black
- **SN** Satin Nickel
- **WH** White

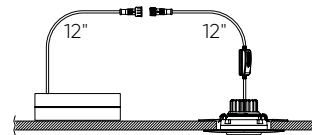
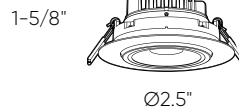
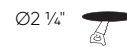
Accessories

- RFP-UNI**
Universal rough-in plate (3" and 4" models)
- RFP-GMB2**
Rough-in plate (2" model)
- RFP-46**
Rough-in plate (3" and 4" models)

Note

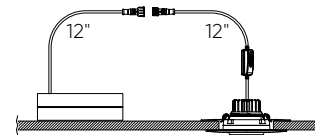
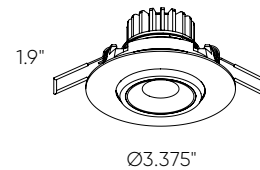
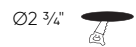
Other color °T, finishes, and voltage options are available but may require MOQ's and longer lead times. Please contact your DALI representative for more information.

GMB2-CC



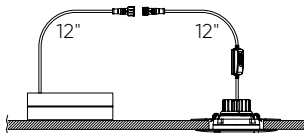
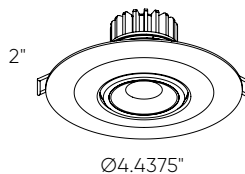
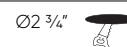
3-1/2" x 3-1/2" x 1-3/8"

LEDDOWNG3-CC



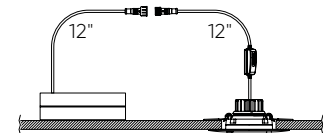
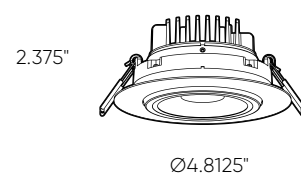
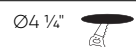
3-7/8" x 2-3/8" x 1-5/8"

LEDDOWNG4-CC



3-7/8" x 2-3/8" x 1-5/8"

GMB4-CC



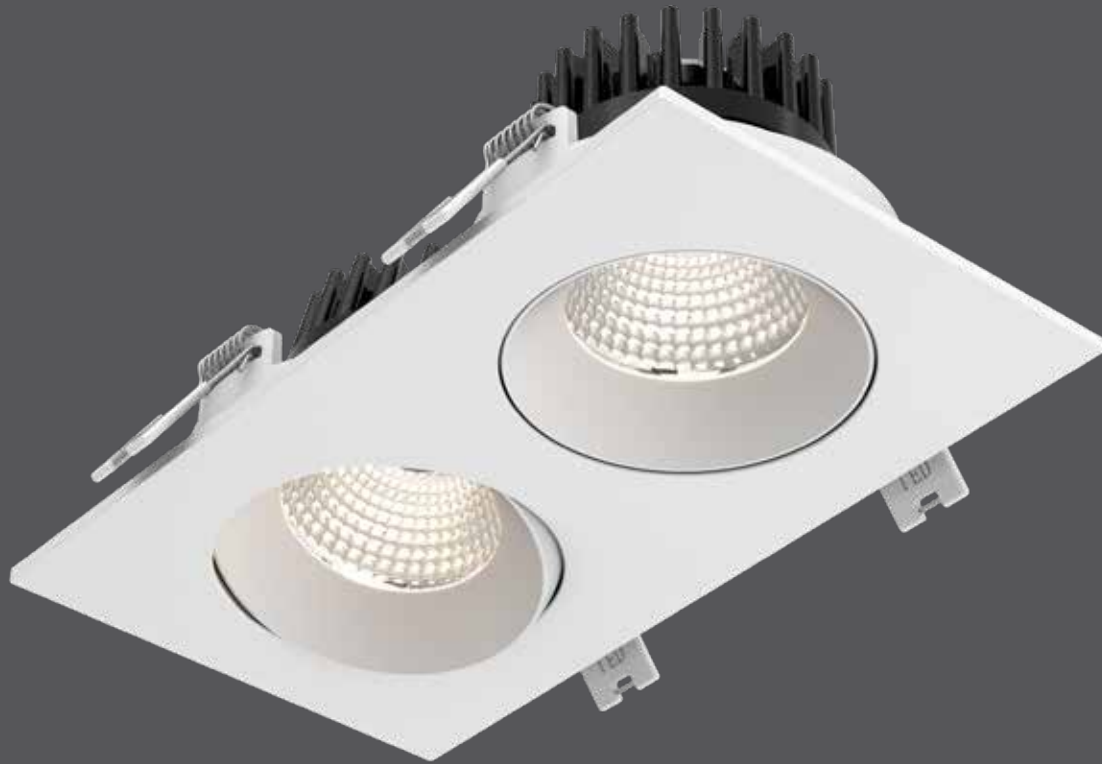
3-5/8" x 3-1/2" x 1-3/8"

Revolve Duo

Our Recessed family has grown with a new range of adjustable downlights. The effortless design and high functionality of these fixtures are sure to make a welcome addition in any room.

NEW WET SWIVEL/DIRECTIONAL 90° ETL IC RATED

AIR TIGHT 2700k 3000k 3500k 4000k 5000k ENERGY STAR JA8 CERTIFIED



Model	Size	Watts	Delivered lumens	LED lumens	CRI	Color °T	Voltage
GBR35-CC-DUO	4"	24 W	1740 lm	1815 lm	90	2700, 3000, 3500, 4000, 5000 K	120 V

Specifications

Includes a junction box with integrated dimmable driver
 Can be daisy chained
 Superior LED performance and lifespan
 90° tilting, 360° rotation
 Minimal heat emission
 Aluminum construction
 Switch-selectable CCT: 2700K/3000 K/3500 K/4000 K/5000 K
 Low profile
 40° beam spread
 IC certification (suitable for direct contact with insulation)
 Air-tight certified as per ASTM E283-04
 Suitable for wet locations
 Ideal operating temperature: -20° to 40° C
 5-year warranty

Finish

○ **WH** White

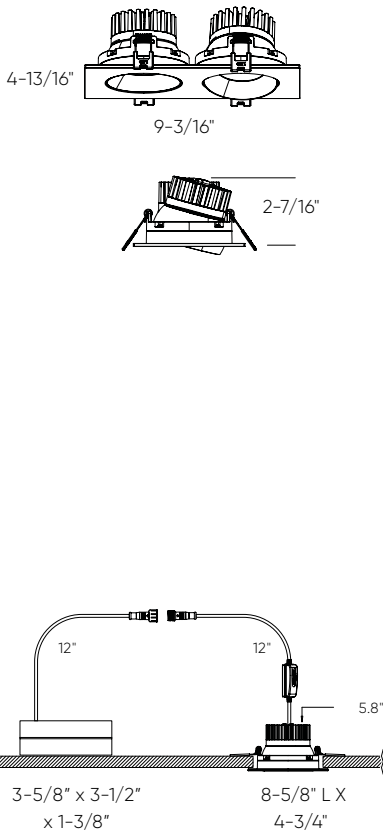
Accessories

RFP-DUO
 Rough-in plate

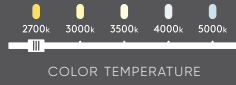
Note

Other color °T, finishes, and voltage options are available but may require MOQ's and longer lead times. Please contact your DALI representative for more information.

GBR35-CC-DUO 7-1/8" x 3-1/2" 



Aperture



From residential use to art galleries & boutiques, our multi-function downlight will check all the boxes. You can choose between recessed or spotlight, control the beam angle, and tilt the head 90 degrees.



Model	Size	Watts	Delivered lumens	LED lumens	CRI	Color °T	Voltage
MFD03-CC	3"	8 W	600 lm	750 lm	90	2700, 3000, 3500, 4000, 5000 K	120 V

Specifications

Over 50,000 hours of service life
 Every fixture includes a junction box with integrated dimmable driver
 Switch-selectable CCT: 2700 K/3000 K/3500 K/4000 K/5000 K
 Can be daisy chained
 Superior LED performance and lifespan
 90° tilting, 360° rotation
 Adjustable beam angle from 30° to 60°
 IC certification (suitable for direct contact with insulation)
 Air-tight certified as per ASTM E283-04
 JA8 Certified
 Refer to website for dimmer compatibility
 5-year warranty

Finish

- **BK** Black
- **WH** White

Note

Other color °T, finishes, and voltage options are available but may require MOQ's and longer lead times. Please contact your DALI representative for more information.

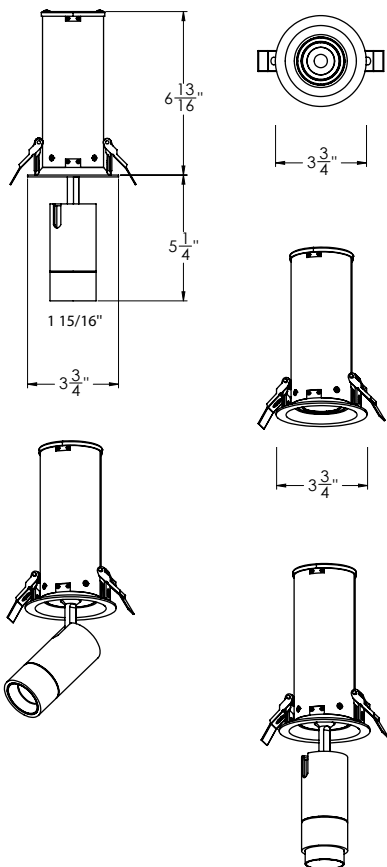
Accessories

RFP-UNI

Universal rough-in plate

MFD03-CC

Ø3-3/8" 



Pinpoint series

This series provides a contemporary aesthetic and functional design to your space. Available in various styles, and framed by a powder-coat finish, these high-output fixtures deliver crisp, low-glare light.

UPGRADE



DRY



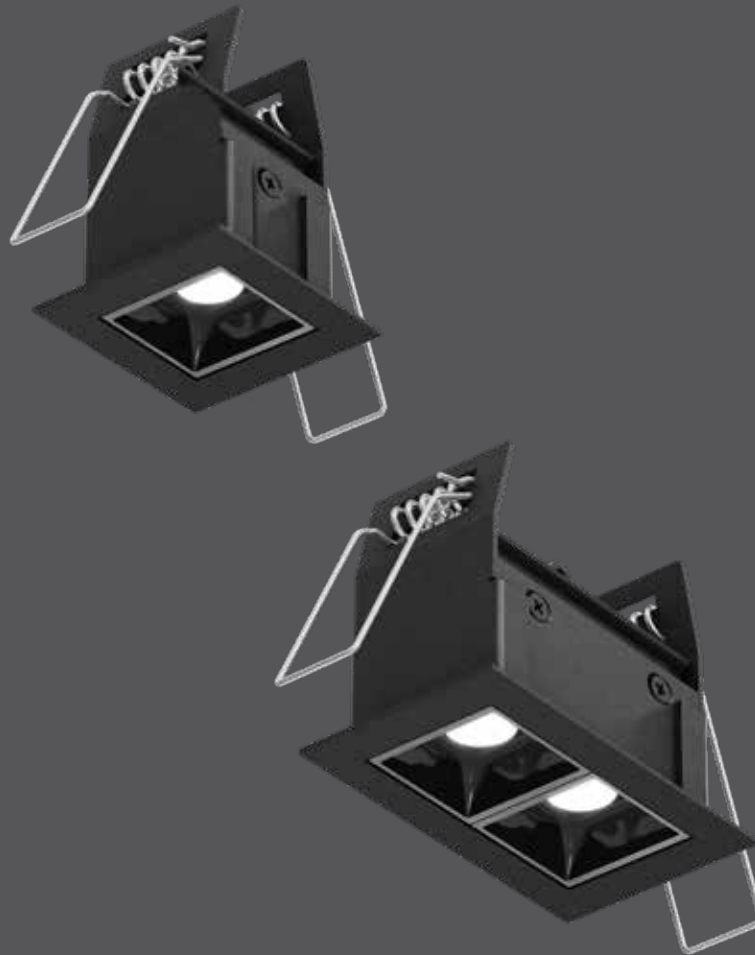
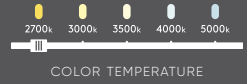
LOW-GLARE



Intertek



IC RATED



Model	Size	Watts	Delivered lumens	LED lumens	CRI	Color °T	Voltage
MSL1-CC	2"	3 W	120 lm	200 lm	90	2700, 3000, 3500, 4000, 5000 K	120 V
MSL2-CC	3"	6 W	300 lm	400 lm			

Specifications

Over 50,000 hours of service life
 Every fixture includes a junction box with integrated dimmable driver
 Switch-selectable CCT: 2700 K/3000 K/3500 K/4000 K/5000 K
 Can be daisy chained
 Superior LED performance and lifespan
 Regressed light source
 Minimal heat emission
 Aluminum construction
 Suitable for dry locations
 Refer to website for dimmer compatibility
 5-year warranty

Accessories

RFP-MSL1
 Rough-in plate for MSL1
RFP-MSL2
 Rough-in plate for MSL2

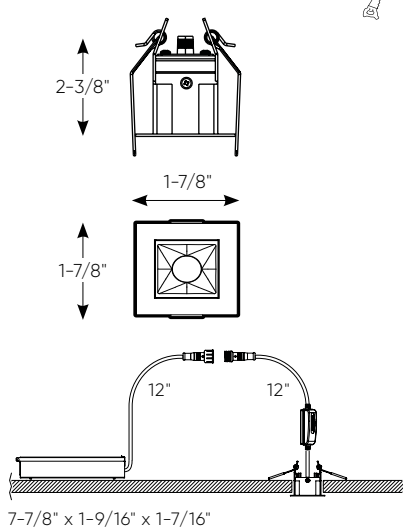
Finish

● **BK** Black
 ○ **AWH** White

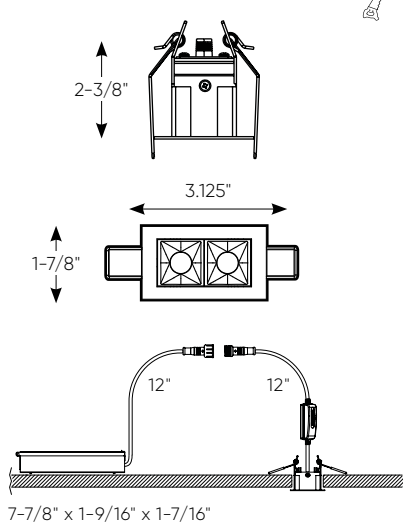
Note

Other color °T, finishes, and voltage options are available but may require MOQ's and longer lead times. Please contact your DALI representative for more information.

MSL1-CC 1-9/16" x 1-9/16"



MSL2-CC 1-9/16" x 2-5/8"



Pinpoint series

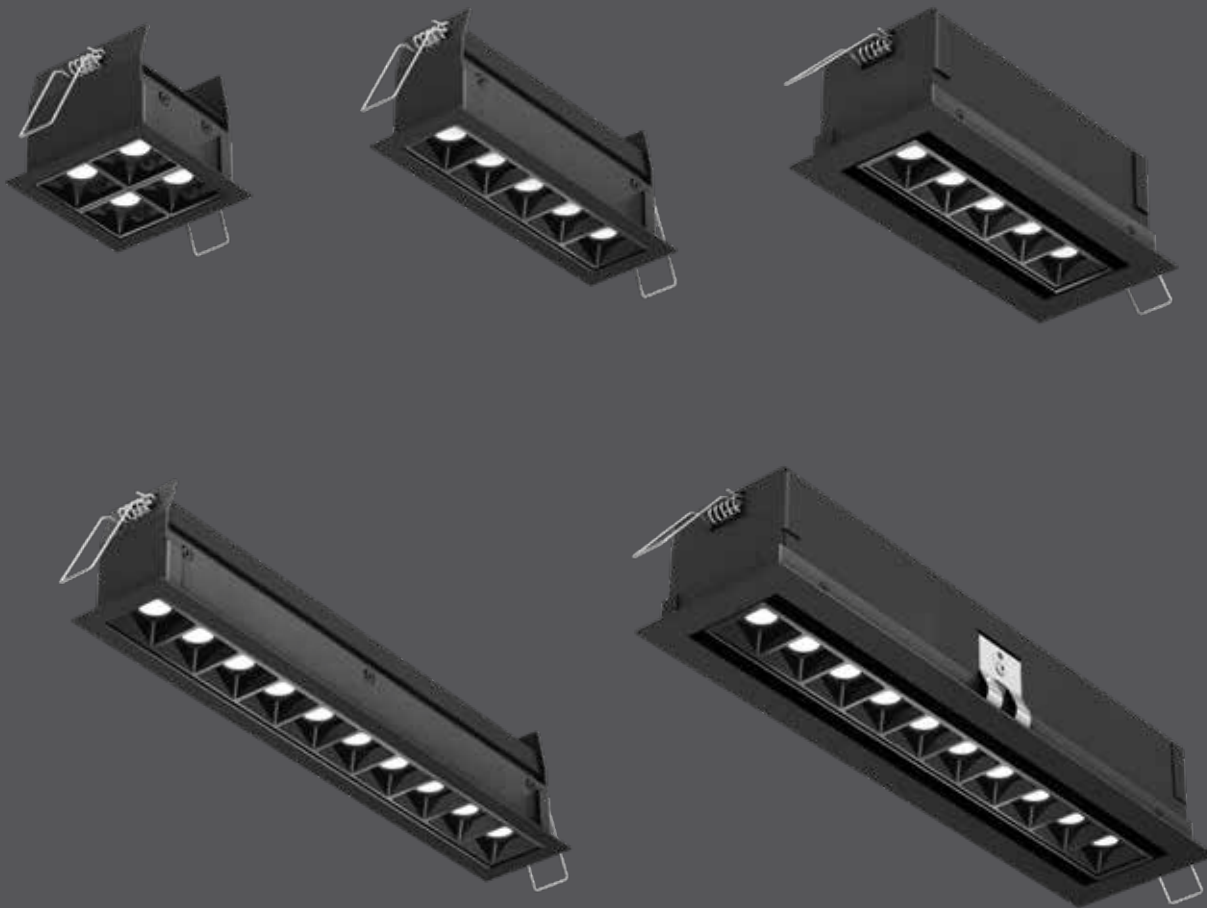
This series provides a contemporary aesthetic and functional design to your space. Available in various styles, and framed by a powder-coat finish, these high-output fixtures deliver crisp, low-glare light. Available with pivoting multi-directional* optics or traditional fixed downlight.

UPGRADE

DRY 30° SWIVEL/DIRECTIONAL* LOW-GLARE Intertek IC RATED

2700k 3000k 3500k 4000k 5000k

COLOR TEMPERATURE



*Models MSL5G-CC and MSL10G-CC only

Model	Size	Watts	Delivered lumens	LED lumens	CRI	Color °T	Voltage
MSL4-CC	3"	12 W	600 lm	880 lm	90	2700, 3000, 3500, 4000, 5000 K	120 V
MSL5-CC	7"	14 W	800 lm	1100 lm			
MSL5G-CC	7"	14 W	800 lm	1100 lm			
MSL10-CC	13"	24 W	1500 lm	2200 lm			
MSL10G-CC	13"	24 W	1500 lm	2200 lm			

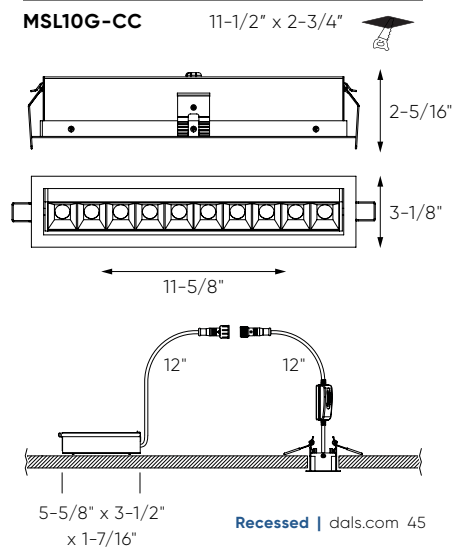
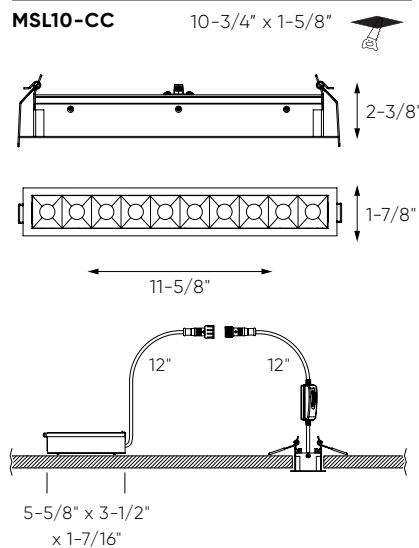
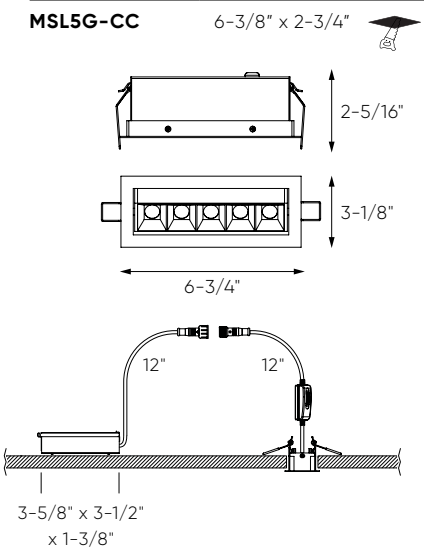
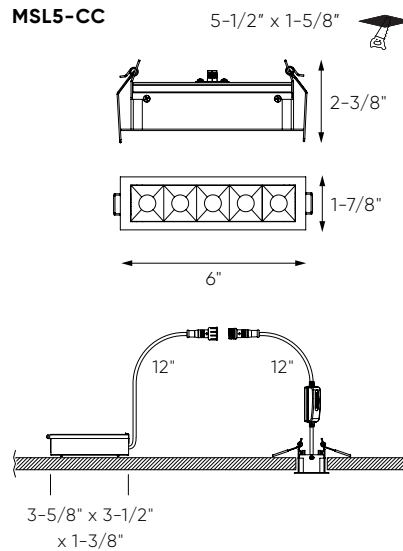
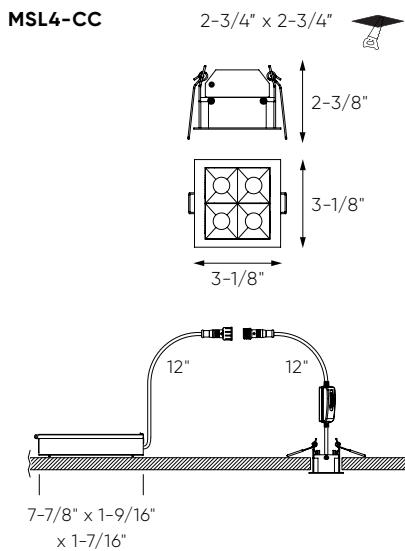
Specifications

Every fixture includes a junction box with integrated dimmable driver
 Switch-selectable CCT: 2700 K/3000 K/3500 K/4000 K/5000 K
 Can be daisy chained
 Superior LED performance and lifespan
 Regressed light source
 Aluminum construction

30 degree swivel (models MSL5G and MSL10G only)
 IC rated (models MSL4, MSL5G and MSL10G only)
 Low-glare
 Suitable for dry locations
 Refer to website for dimmer compatibility
 5-year warranty

Accessories

- RFP-MSL4**
Rough-in plate for MSL4
- RFP-MSL5**
Rough-in plate for MSL5
- RFP-MSL5G**
Rough-in plate for MSL5G
- RFP-MSL10**
Rough-in plate for MSL10
- RFP-MSL10G**
Rough-in plate for MSL10G



Finish

-  **BK** Black
-  **AWH** White

Note

Other color °T, finishes, and voltage options are available but may require MOQ's and longer lead times. Please contact your DALI representative for more information.

Element

When choosing a recessed fixture, eliminating glare is a priority. The unique positioning of the LED module in this series of downlights will meet that important need.

UPGRADE



WET



LOW-GLARE



ENERGY STAR

IC

RATED



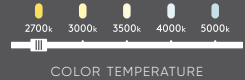
AIR TIGHT

JA8

CERTIFIED



Intertek



Model	Size	Watts	Delivered lumens	LED lumens	CRI	Color °T	Voltage
RGR2-CC	2"	8 W	600 lm	750 lm	90	2700, 3000, 3500, 4000, 5000 K	120 V
RGR4-CC	4"	14 W	1100 lm	1200 lm			120 V
RGR4-CC-V-WH*	4"	14, 15 W	1100 lm	1200 lm			120, 277 V
RGR6-CC	6"	20 W	1600 lm	1900 lm			120 V

* 0-10V dimming, white finish only

Specifications

Every fixture includes a junction box with integrated dimmable driver
 Can be daisy chained
 Superior LED performance and lifespan
 Regressed light source
 Minimal heat emission
 Aluminum construction
 Switch-selectable CCT: 2700K/3000 K/3500 K/4000 K/5000 K
 IC certification (suitable for direct contact with insulation)
 Air-tight certified as per ASTM E283-04
 40° beam angle
 Suitable for wet locations
 JA8 Certified
 Ideal operating temperature: -20° to 40° C
 5-year warranty

Finish

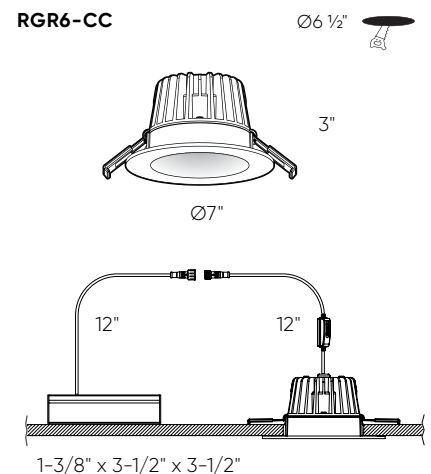
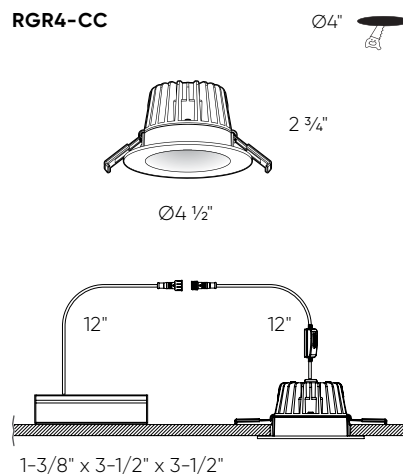
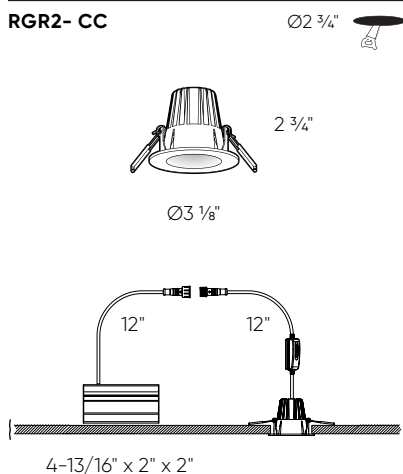
- **BK** Black
- **SN** Satin Nickel
- **WH** White

Accessories

- RFP-23**
Rough-in plate for RGR2
- RFP-35**
Rough-in plate for RGR4
- RFP-46**
Rough-in plate for RGR6

Note

Other color °T, finishes, and voltage options are available but may require MOQ's and longer lead times. Please contact your DALI representative for more information.



Element square

When choosing a recessed fixture, eliminating glare is a priority. The unique positioning of the LED module in this series of downlights will meet that important need.

UPGRADE



WET



LOW-GLARE



ENERGY STAR

IC

RATED



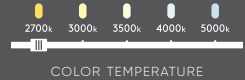
AIR TIGHT

JA8

CERTIFIED



Intertek



Model	Size	Watts	Delivered lumens	LED lumens	CRI	Color °T	Voltage
RGR2SQ-CC	2"	8 W	600 lm	750 lm	90	2700, 3000, 3500, 4000, 5000 K	120 V
RGR4SQ-CC	4"	14 W	1100 lm	1200 lm			120 V
RGR4SQ-CC-V-WH*	4"	14, 15 W	1100 lm	1200 lm			120, 277 V
RGR6SQ-CC	6"	20 W	1600 lm	1900 lm			120 V

* 0-10V dimming, white finish only

Specifications

Every fixture includes a junction box with integrated dimmable driver
 Can be daisy chained
 Superior LED performance and lifespan
 Regressed light source
 Minimal heat emission
 Aluminum construction
 Switch-selectable CCT: 2700K/3000 K/3500 K/4000 K/5000 K
 IC certification (suitable for direct contact with insulation)
 Air-tight certified as per ASTM E283-04
 40° beam angle
 Suitable for wet locations
 JA8 Certified
 Ideal operating temperature: -20° to 40° C
 5-year warranty

Finish

- **BK** Black
- **SN** Satin Nickel
- **WH** White

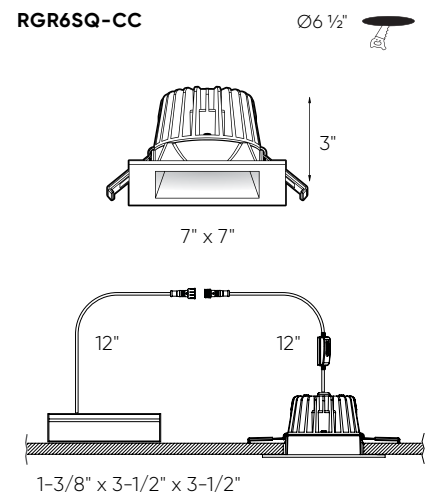
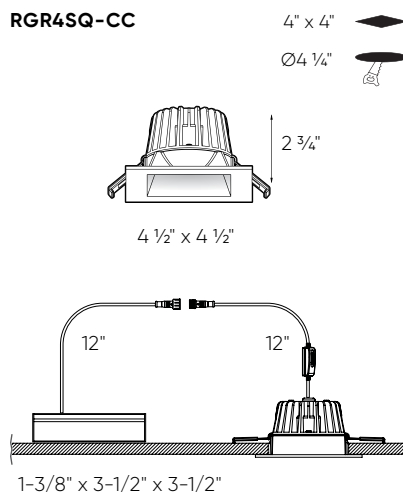
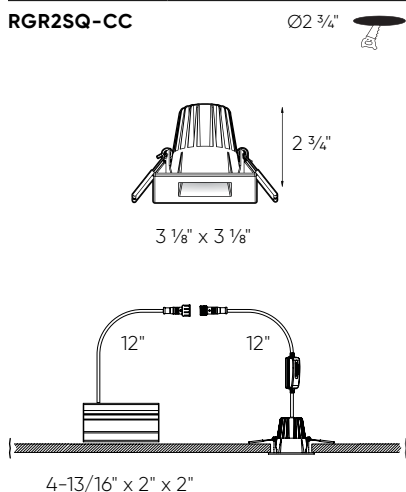
Accessories

RFP-23
 Rough-in plate for RGR2SQ

RFP-46
 Rough-in plate for RGR4SQ & RGR6SQ

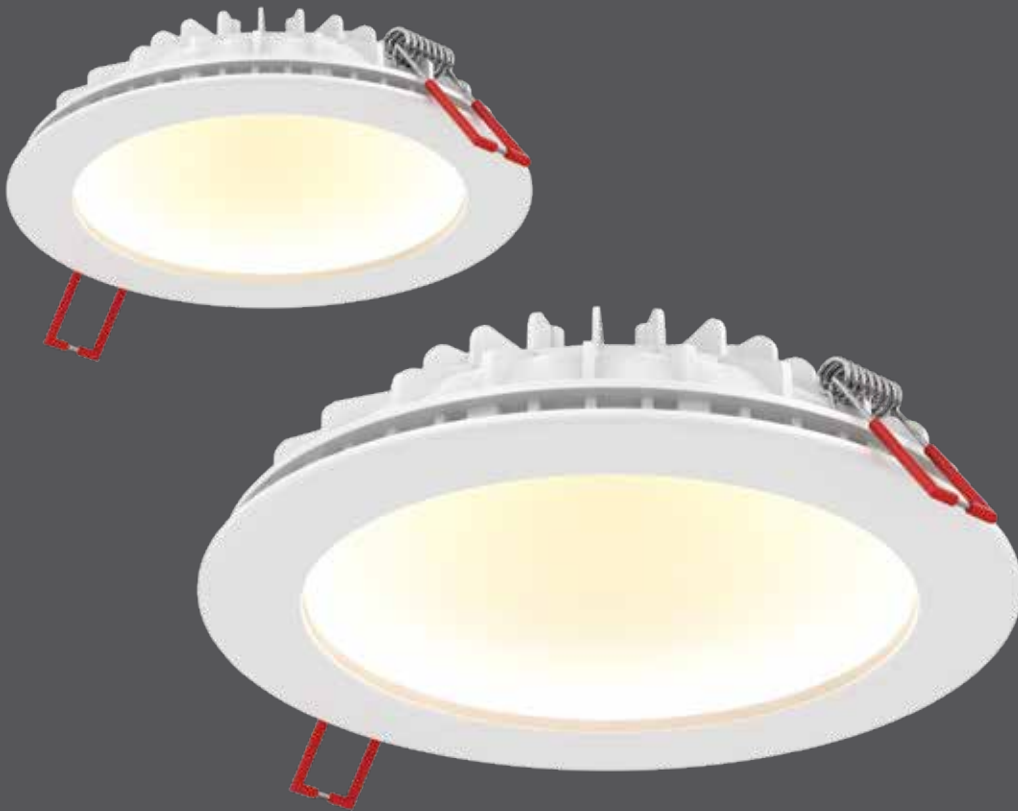
Note

Other color °T, finishes, and voltage options are available but may require MOQ's and longer lead times. Please contact your DALI representative for more information.



Indirect

Imagine being able to create the perfect mood when dimming your lights. This is now possible with our Dim to Warm concept, generating a warm, exquisite glow to set the tone for your evening.



Model	Size	Watts	Delivered lumens	LED lumens	CRI	Color °T	Voltage
IND4-DW	4"	9 W	500 lm	975 lm	80	3000 K - 2200 K	120 V
IND6-DW	6"	12 W	750 lm	1500 lm	80	3000 K - 2200 K	120 V

Specifications

Every fixture includes a junction box with integrated dimmable driver
 Can be daisy chained
 Over 50,000 hours of service life
 Dim-to-warm technology, dims from 3000 K to 2200 K to mimic incandescent light
 Smooth 360° wide spread
 Minimal heat emission
 Dome reflector
 110° beam spread
 Indirect lighting design with glare reduction

Aluminum construction
 IC certification (suitable for direct contact with insulation)
 Air-tight certified as per ASTM E283-04
 Suitable for damp locations
 Refer to website for dimmer compatibility
 5-year warranty

Finish

○ **WH** White

Accessories

RFP-UNI

Universal rough-in plate

RFP-46

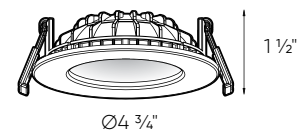
Rough-in plate for 4" and 6" models

Note

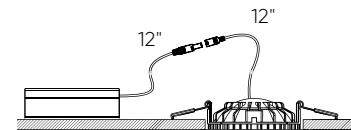
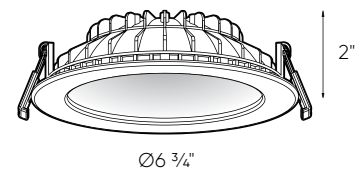
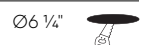
Other color °T, finishes, and voltage options are available but may require MOQ's and longer lead times. Please contact your DALs representative for more information.



IND4-DW



IND6-DW



5-1/16" x 3" x 1-5/16"

Hilux

Dals' new high-powered recessed downlight is a go-to for your commercial projects. With its five color temperatures to choose from, a cast aluminum housing, high lumen output, and indoor/outdoor rating, this can be installed just about anywhere. From clinics to schools and hotels to boutiques, this is the only recessed fixture you will need.

UPGRADE

WET LOW-GLARE IC RATED AIR TIGHT Intertek

2700k 3000k 3500k 4000k 5000k

COLOR TEMPERATURE

JA8 CERTIFIED ENERGY STAR



Model	Size	Watts	Delivered lumens	LED lumens	CRI	Color °T	Voltage
HPD4-CC	4"	20 W	1415 lm	1555 lm	90	2700, 3000, 3500, 4000, 5000 K	120 V
HPD4-CC-V-WH*	4"	20, 22, 24 W	1415 lm	1555 lm			120, 277, 347 V
HPD6-CC	6"	30 W	2100 lm	2310 lm			120 V
HPD6-CC-V-WH*	6"	27, 30, 33 W	2100 lm	2310 lm			120, 277, 347 V
HPD8-CC	8"	40 W	2600 lm	2850 lm			120V
HPD8-CC-V-WH*	8"	38, 40, 43 W	2600 lm	2850 lm			120, 277, 347 V

* 0-10V dimming, white finish only

Specifications

Every fixture includes a junction box with an integrated driver
 Over 50,000 hours service life
 Switch-selectable CCT: 2700 K/3000 K/3500 K/4000 K/5000 K
 Smooth 360° wide spread
 90° beam angle
 Cast aluminum construction
 Suitable for wet locations
 Refer to website for dimmer compatibility
 IC certification (suitable for direct contact with insulation)
 Air-tight certified as per ASTM E283-04
 5-year warranty

Finish


- **BK** Black (HPD4 and HPD6 only)
- **WH** White

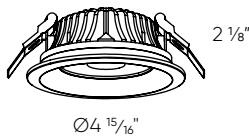
Accessories

- RFP-UNI**
Universal rough-in plate
- RFP-46 (HPD4, HPD6)**
Rough-in plate
- RFP-58 (HPD8)**
Rough-in plate

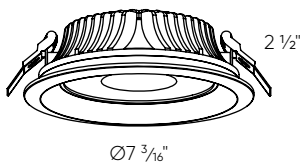
Note

Other color °T and finishes available, but may require MOQ's and longer lead times. Please contact your DALI representative for more information.

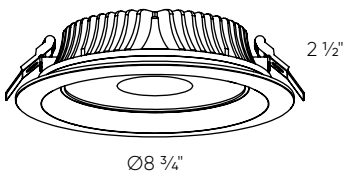
HPD4-CC Ø4 1/4" 



HPD6-CC Ø6 1/2" 



HPD8-CC Ø7 1/2" 



Etch

The Etch range of circular recessed downlights, characterized by a deep-set LED position, provides a functional solution to general lighting without the uncomfortable glare.



WET



LOW-GLARE



Intertek



IC RATED



AIR TIGHT



COLOR TEMPERATURE



Model	Size	Watts	Delivered lumens	CRI	Color °T	Voltage
DDP4-CC	4"	15 W	1000 lm	90	2700, 3000, 3500,	120 V
DDP6-CC	6"	20 W	1500 lm		4000, 5000 K	

Specifications

Every fixture includes a junction box with an integrated driver
 Over 50,000 hours of service life
 Can be daisy chained
 Smooth 360° wide spread
 125° beam angle
 Minimal heat emission
 Frosted lens
 Edge lit technology
 Cast aluminum construction
 Switch-selectable CCT: 2700 K/3000 K/3500 K/4000 K/5000 K
 Very low profile
 IC certification (suitable for direct contact with insulation)
 Air-tight certified as per ASTM E283-04
 Suitable for wet locations
 Ideal operating temperature: -20° to 40° C
 Refer to website for dimmer compatibility
 5-year warranty

Finish

○ **WH** White

Accessories

RFP-46

Rough-in plate

RFP-UNI

Universal rough-in plate

DDP4-TRIM-BK

4" recessed panel trim in black

DDP6-TRIM-BK

6" recessed panel trim in black

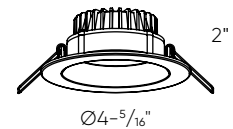
Note

Other color °T, finishes, and voltage options are available but may require MOQ's and longer lead times. Please contact your DALs representative for more information.



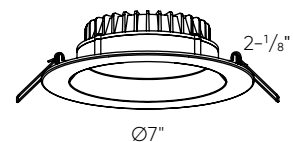
DDP4-CC

Ø4-1/4"



DDP6-CC


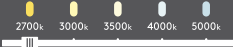

Ø6-1/2"

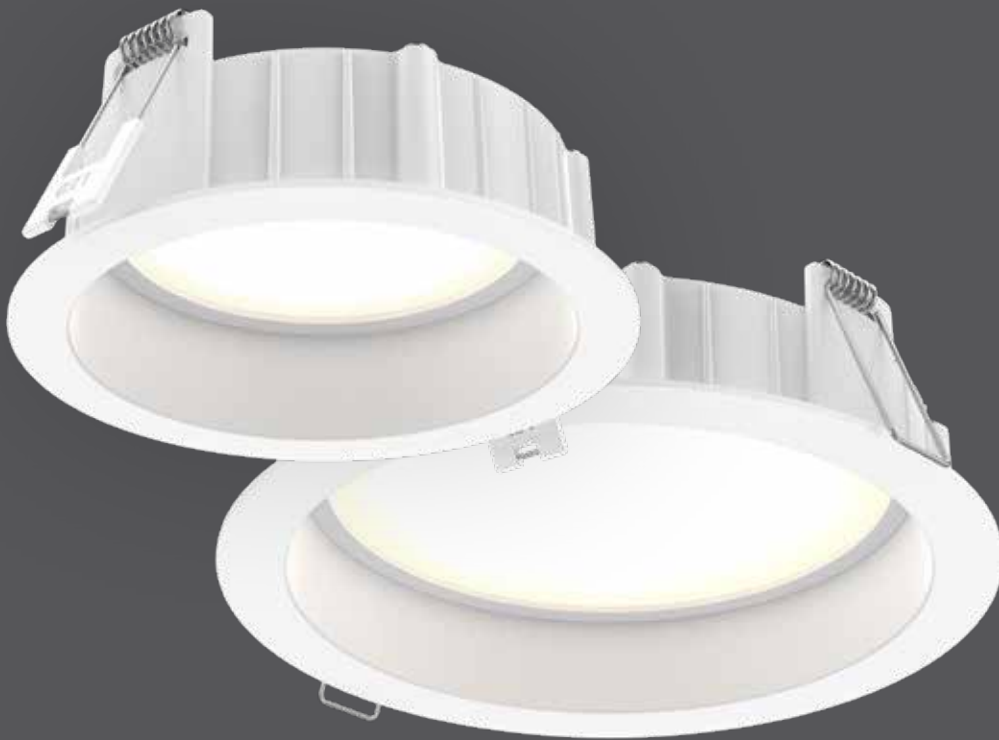


Notch

The Notch series of recessed downlights is characterized by a deep-set LED position which greatly reduces glare, neatly packaged in a price-conscious solution to general lighting.

NEW WET LOW-GLARE  **IC**
Intertek RATED

 AIR TIGHT  2700k 3000k 3500k 4000k 5000k COLOR TEMPERATURE **JA8** CERTIFIED 



Model	Size	Watts	Delivered lumens	CRI	Color °T	Voltage
DRR4-CC	4"	11 W	800 lm	90	2700, 3000, 3500,	120 V
DRR4-CC-V*	4"	11 W	800 lm		4000, 5000 K	120, 277 V
DRR6-CC	6"	14 W	1000 lm			120 V
DRR6-CC-V*	6"	14 W	1000 lm			120, 277 V

* 0-10V dimming

Specifications

Every fixture includes a junction box with an integrated driver
 Over 50,000 hours of service life
 Can be daisy chained
 Smooth 360° wide spread
 100° beam angle
 Frosted lens
 Edge lit technology
 Switch-selectable CCT: 2700 K/3000 K/3500 K/4000 K/5000 K
 IC certification (suitable for direct contact with insulation)
 Air-tight certified as per ASTM E283-04
 Suitable for wet locations
 Ideal operating temperature: -20° to 40° C
 Refer to website for dimmer compatibility
 5-year warranty

Finish

○ **WH** White

Options

DRR4-3K-DRIVER

Driver for 3000 K output

Note

Other color °T and finishes available, but may require MOQ's and longer lead times. Please contact your DALI representative for more information.

Accessories

RFP-46

Rough-in plate

RFP-UNI

Universal rough-in plate

DRR4-TRIM-BK

4" recessed panel trim in black

DRR4-TRIM-SBA

4" recessed panel trim in sandblasted aluminum

DRR6-TRIM-BK

6" recessed panel trim in black

DRR6-TRIM-SBA

6" recessed panel trim in sandblasted aluminum



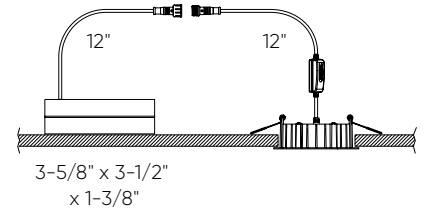
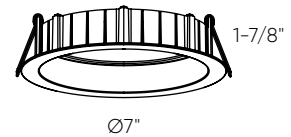
DRR4-CC

Ø4-1/4"



DRR6-CC

Ø6-1/2"



Mystique

If you are looking for a sleek, attractive LED option for your ceilings, then our color changing panel light with interchangeable trims is the perfect choice. With the flick of a switch, you have the ability to select one of three pre-set color temperatures – 3000, 4000 and 5000 K – convenience at your fingertips.



WET



MULTIPLE TRIM
COLORS



ENERGY STAR



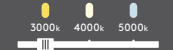
ETL
Intertek

IC
RATED

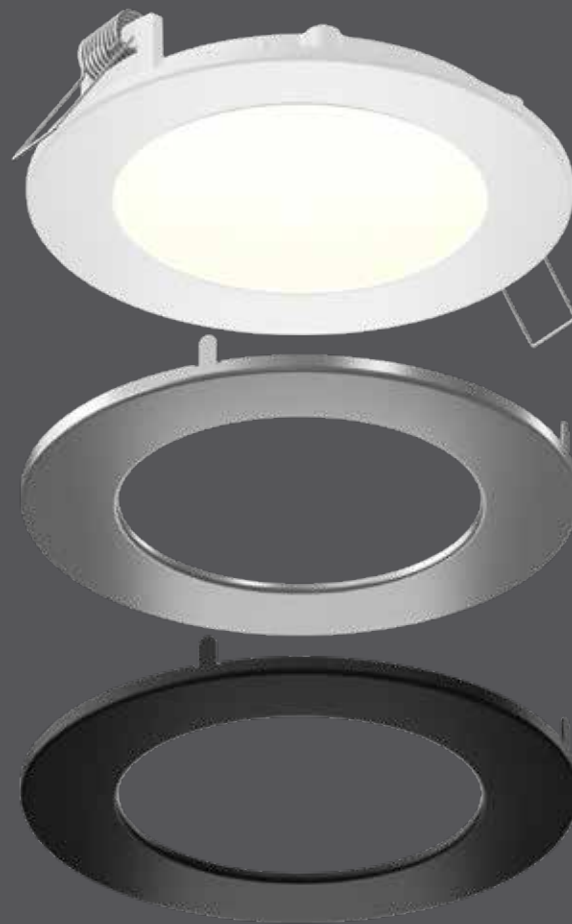
JA8
CERTIFIED



AIR TIGHT



COLOR TEMPERATURE



Model	Size	Watts	Delivered lumens	LED lumens	CRI	Color °T	Voltage
SPN4-CC-3T	4"	11 W	800 lm	850 lm	90	3000-4000-5000 K	120 V
SPN6-CC-3T	6"	14 W	1060 lm	1100 lm	90	3000-4000-5000 K	120 V

Specifications

Every fixture includes a junction box with integrated dimmable driver
 Can be daisy chained
 Minimal heat emission
 Aluminum construction
 IC certification (suitable for direct contact with insulation)
 Air-tight certified as per ASTM E283-04
 Over 50,000 hours of service life
 3 interchangeable trim colors included
 Switch-selectable CCT: 3000 K/ 4000 K/5000 K
 110° beam angle
 Suitable for wet locations
 Refer to website for dimmer compatibility
 Ideal operating temperature:
 -20° to 40° C
 5-year warranty

Finish

- **BK** Black
- **SN** Satin Nickel
- **WH** White

Note

Other color °T, finishes, and voltage options are available but may require MOQ's and longer lead times. Please contact your DALs representative for more information.

Accessories

REC-PT4-BB (SPN4-CC-3T)

4" recessed panel trim in brushed brass

REC-EXT108

108" extension cable

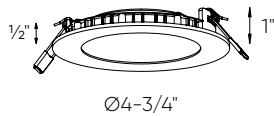
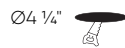
RFP-UNI

Universal rough-in plate

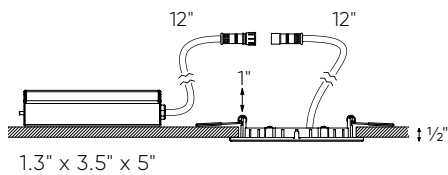
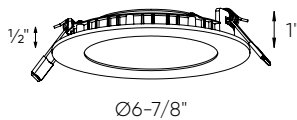
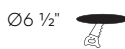
RFP-46

Rough-in plate for 4" and 6" models

SPN4-CC-3T



SPN6-CC-3T



Mystique square

These highly stylish, ultra-slim recessed fixtures with black, satin nickel and white interchangeable trims serve a fundamental and practical purpose that allow to easily decide on-site what your ceilings will look like. For even greater flexibility, these fixtures emanate a soft, even light with a switch-selectable color temperature of 3000, 4000 or 5000 K. A truly complete package for your lighting and designing needs.



WET



MULTIPLE TRIM
COLORS



ENERGY STAR



ETL
Intertek

IC
RATED

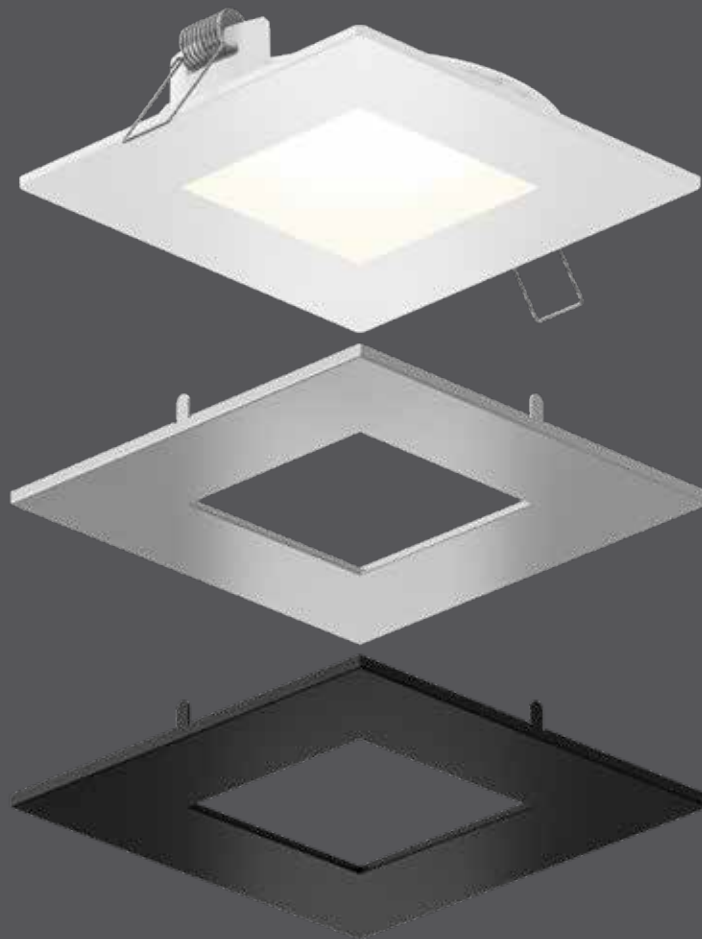
JA8
CERTIFIED



AIR TIGHT



COLOR TEMPERATURE



Model	Size	Watts	Delivered lumens	LED lumens	CRI	Color °T	Voltage
SPN4SQ-CC-3T	4"	11 W	800 lm	850 lm	90	3000-4000-5000 K	120 V
SPN6SQ-CC-3T	6"	14 W	1060 lm	1100 lm	90	3000-4000-5000 K	120 V

Specifications

Every fixture includes a junction box with integrated dimmable driver
 Can be daisy chained
 Aluminum construction
 IC certification (suitable for direct contact with insulation)
 Air-tight certified as per ASTM E283-04
 Over 50,000 hours of service life
 3 interchangeable trim colors included
 Switch-selectable CCT: 3000 K/4000 K/5000 K
 110° beam angle
 Suitable for wet locations
 Refer to website for dimmer compatibility
 Ideal operating temperature: -20° to 40° C
 5-year warranty

Finish

- **BK** Black
- **SN** Satin Nickel
- **WH** White

Accessories

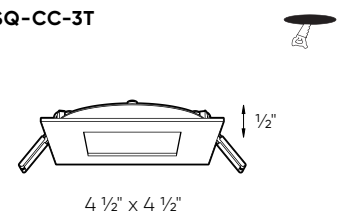
- REC-EXT108**
108" extension cable
- RFP-UNI**
Universal rough-in plate
- RFP-46**
Rough-in plate for 4" and 6" models

Note

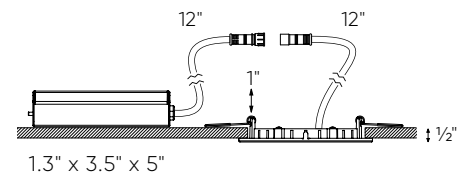
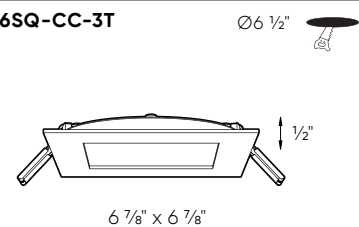
Other color °T, finishes, and voltage options are available but may require MOQ's and longer lead times. Please contact your DALs representative for more information.



SPN4SQ-CC-3T



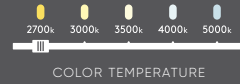
SPN6SQ-CC-3T



Excel

LED panel lights are more accessible than ever before. The sleek and minimal construction allows for the easiest of installations.

UPGRADE



Model	Size	Watts	Delivered lumens	LED lumens	CRI	Color °T	Voltage
5003-CC	3"	8 W	560 lm	640 lm	80	2700, 3000, 3500, 4000, 5000 K	120 V
5004-CC	4"	11 W	770 lm	880 lm			
5005-CC	5"	12 W	800 lm	980 lm			
5006-CC	6"	14 W	1100 lm	1120 lm			
5004-DW*	4"	11 W	850 lm	880 lm		3000-2200 K	

*Dim-to-warm technology, dims from 3000 K to 2200 K

Specifications

Every fixture includes a junction box with an integrated driver
 Over 35,000 hours of service life
 Can be daisy chained
 Minimal heat emission
 Edge lit technology
 Cast aluminum construction
 Switch-selectable CCT: 2700 K/3000 K/3500 K/4000 K/5000 K
 Very low profile
 IC certification (suitable for direct contact with insulation)
 Air-tight certified as per ASTM E283-04
 Suitable for wet locations
 Ideal operating temperature: -20° to 40° C
 Refer to website for dimmer compatibility
 5-year warranty

Finish

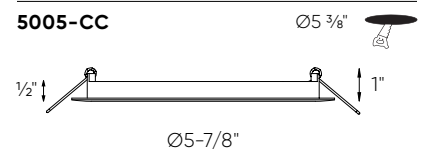
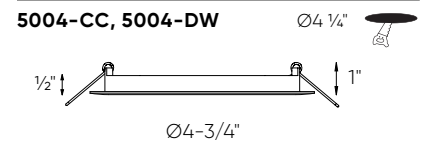
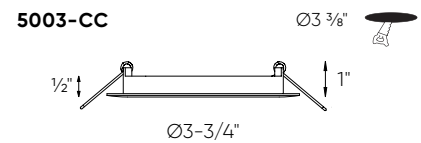
- **BK** Black
(5004, 5005, 5006)
- **SN** Satin Nickel
(5004)
- **WH** White
(5003, 5004, 5005, 5006)

Note

Other color °T, finishes, and voltage options are available but may require MOQ's and longer lead times. Please contact your DALI representative for more information.

Accessories

- REC-PT4-BB (5004)**
4" recessed panel trim in brushed brass
- REC-PT4-BK (5004)**
4" recessed panel trim in black
- REC-PT4-SN (5004)**
4" recessed panel trim in satin nickel
- REC-EXT108**
108" extension cable
- RFP-23 (5003)**
Rough-in plate
- RFP-46 (5004, 5006)**
Rough-in plate
- RFP-58 (5005)**
Rough-in plate
- RFP-UNI (5003, 5004, 5006)**
Universal rough-in plate



Excel square

When looking for a modern design, a square lighting fixture is often the best choice. Even better, imagine being able to use a round cutout for installation. This is now a reality with the improved concept of this square panel light.

UPGRADE

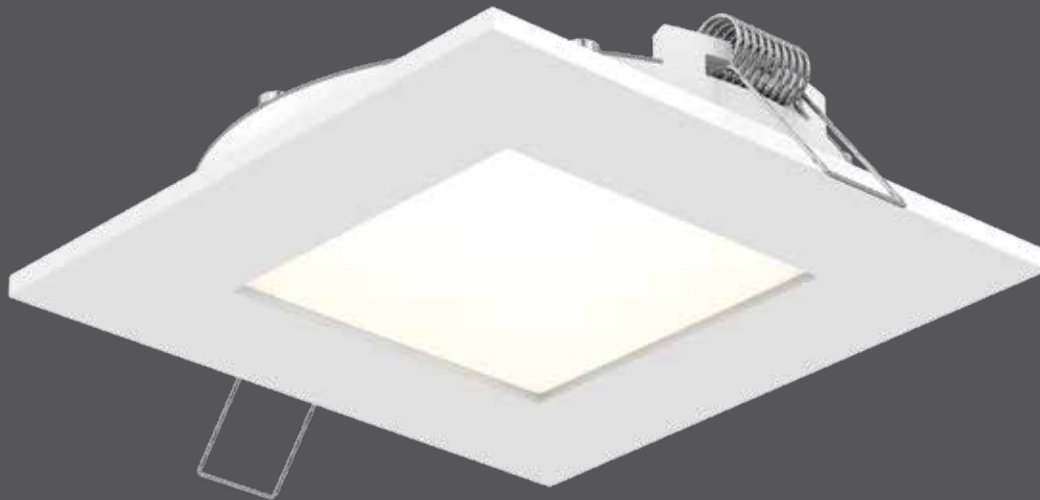
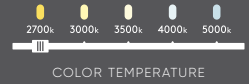


WET



AIR TIGHT

IC RATED



Model	Size	Watts	Delivered lumens	LED lumens	CRI	Color °T	Voltage
5004SQ-CC	4"	11 W	770 lm	880 lm	80	2700, 3000, 3500, 4000, 5000 K	120 V

Specifications

Every fixture includes a junction box with an integrated driver
 Over 35,000 hours of service life
 Can be daisy chained
 Superior LED performance and lifespan
 Smooth 360° wide spread
 Minimal heat emission
 Frosted lens
 Edge lit technology
 Aluminum construction
 Switch-selectable CCT: 2700K/3000 K/3500 K/4000 K/5000 K

Very low profile
 IC certification (suitable for direct contact with insulation)
 Air-tight certified as per ASTM E283-04
 Suitable for wet locations
 Refer to website for dimmer compatibility
 Ideal operating temperature: -20° to 40° C
 5-year warranty

Finish

- **BK** Black
- **WH** White

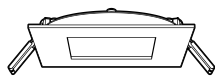
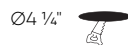
Accessories

- REC-EXT108**
108" extension cable
- RFP-46 (5004SQ-CC)**
Rough-in plate
- RFP-UNI**
Universal rough-in plate

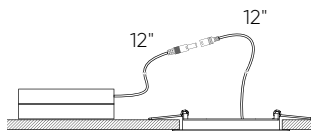
Note

Other color °T, finishes, and voltage options are available but may require MOQ's and longer lead times. Please contact your DALs representative for more information.

5004SQ-CC



4 1/2" x 4 1/2" (D) x 1/2"



5.1" x 3" x 1.25"



Access

LED panel lights are more accessible than ever before. The sleek and minimal construction allows for the easiest of installations.



Model	Size	Watts	Delivered lumens	LED lumens	CRI	Color °T	Voltage
2004	4"	11 W	770 lm	880 lm	80	3000 K	120 V
2006	6"	14 W	1100 lm	1120 lm	80	3000 K	120 V

Specifications

Every fixture includes a junction box with an integrated driver
 Over 35,000 hours of service life
 Can be daisy chained
 Superior LED performance and lifespan
 Smooth 360° wide spread
 Minimal heat emission
 Frosted lens
 Edge lit technology
 Aluminum construction
 Very low profile
 IC certification (suitable for direct contact with insulation)
 Air-tight certified as per ASTM E283-04
 Suitable for damp locations
 Refer to website for dimmer compatibility
 5-year warranty

Finish

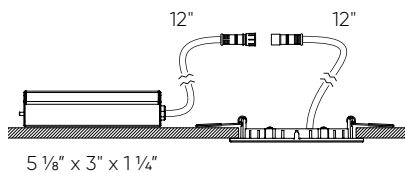
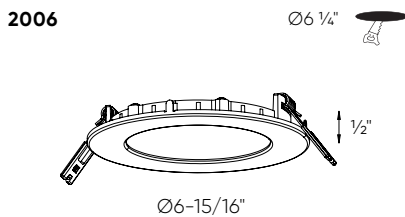
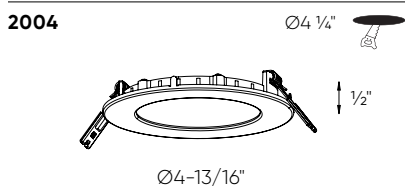
○ **WH** White

Accessories

- REC-PT4-BB (2004)**
4" recessed panel trim in brushed brass
- REC-PT4-BK (2004)**
4" recessed panel trim in black
- REC-PT4-SN (2004)**
4" recessed panel trim in satin nickel
- REC-EXT108**
108" extension cable
- REC-EXT230**
230" extension cable
- RFP-46**
Rough-in plate
- RFP-UNI**
Universal rough-in plate

Note

Other color °T, finishes, and voltage options are available but may require MOQ's and longer lead times. Please contact your DALI representative for more information.



Alter series

The aluminum retrofit LED panel offers the easiest and most practical solution to your existing lighting needs. For style and convenience, the removable outer trim attaches with magnetic fasteners to create a seamless look. Can be easily retrofitted in existing 4" canisters or standard octagonal junction boxes.

UPGRADE



WET



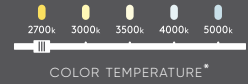
RETROFIT



ENERGY STAR



AIR TIGHT



*Model RTF4-CC only

Model	Size	Watts	Delivered lumens	LED lumens	CRI	Color °T	Voltage
RTF4-3K	4"	9 W	550 lm	630 lm	90	3000 K	120 V
RTF4-CC	4"	9 W	580 lm	630 lm	90	2700, 3000, 3500, 4000, 5000 K	120 V

Specifications

Fits on octagonal junction boxes
 Fire rated alternative when mounted onto a fire rated junction box
 Includes A-19 socket
 Fits into 4" recessed housings
 Minimal heat emission
 Aluminum construction
 Switch-selectable CCT: 2700 K/3000 K/3500 K/4000 K/5000 K (model RTF4-CC only)
 Over 50,000 hours of service life
 Magnetic trim finish
 Air-tight certified as per ASTM E283-04
 Suitable for wet locations
 Refer to website for dimmer compatibility
 Ideal operating temperature: -20° to 40° C
 5-year warranty

Finish

- **BK** Black
- **SN** Satin Nickel
- **WH** White

Accessories

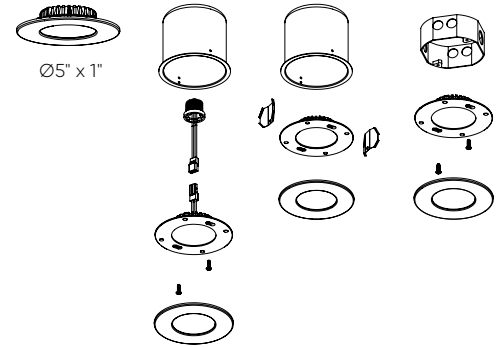
RTF4-TRIM-BK
 4" recessed panel trim in black

RTF4-TRIM-SN
 4" recessed panel trim in satin nickel

Note

Other color °T and finishes available, but may require MOQ's and longer lead times. Please contact your DALI representative for more information.

RTF4-3K, RTF4-CC



Alter series

Our LED retrofit panels provide the perfect solution for your renovations. There's no need to completely change your current lighting, simply use these innovative products and retrofit your existing installation. The change will be illuminating.

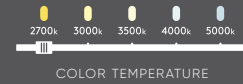
UPGRADE



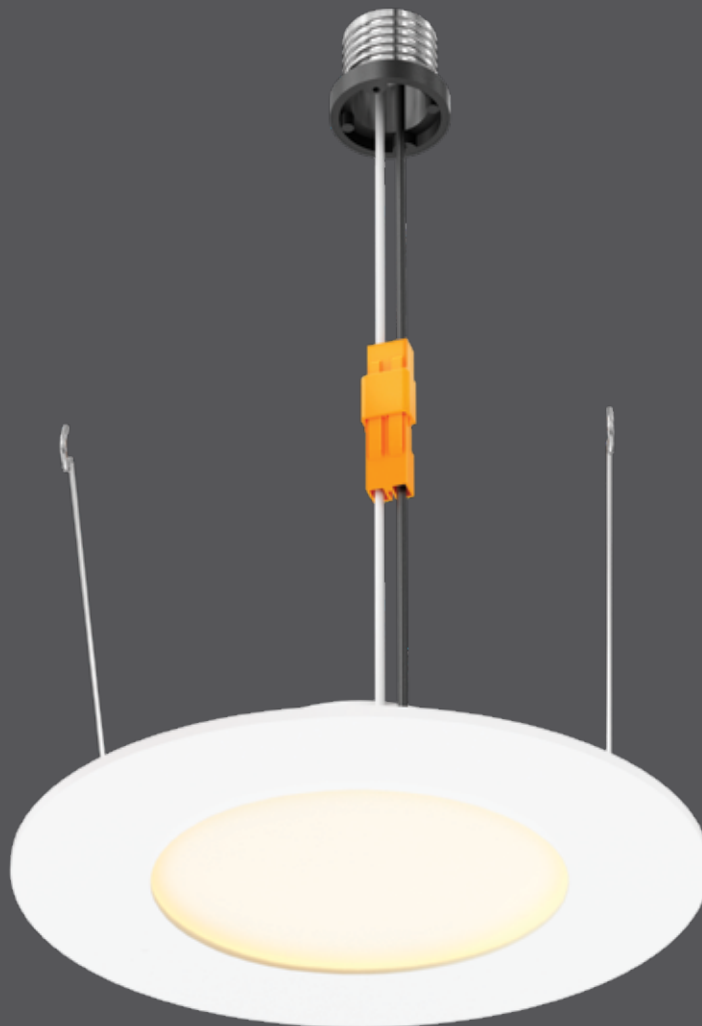
DRY



RETROFIT



JA8
CERTIFIED



Model	Size	Watts	Delivered lumens	CRI	Color °T	Voltage
LEDPNLRTF56-CC	6"	10 W	720 lm	90	2700, 3000, 3500, 4000, 5000 K	120 V

Specifications

Over 30,000 hours of service life
 Integrated dimmable driver
 Switch-selectable CCT: 2700 K/3000 K/
 3500 K/4000 K/5000 K
 Aluminum trim and housing
 Minimal heat emission
 Frosted lens
 Edge-lit technology
 Very low profile
 Aluminum heatsink and thermal protection
 120V AC, A19 bulb replacement
 Fits into 5-1/2" to 6" recessed housings
 Suitable for dry locations
 Refer to website for dimmer compatibility
 Ideal operating temperature:
 -20° to 40° C
 5-year warranty

Finish

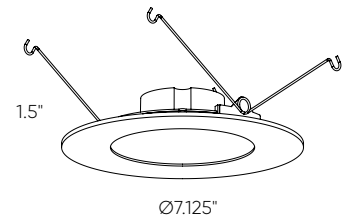
○ **WH** White

Note


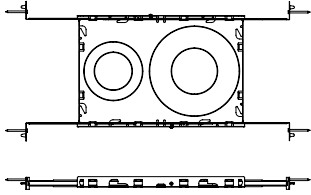
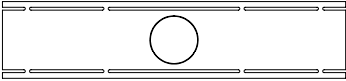
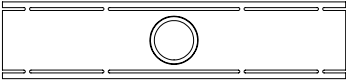
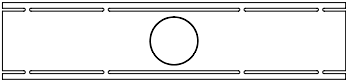
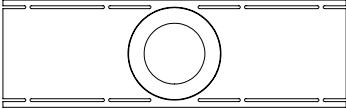
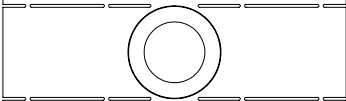
Other color °T and finishes available, but may require MOQ's and longer lead times. Please contact your DALs representative for more information.



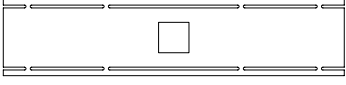
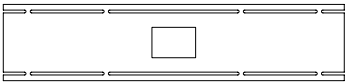
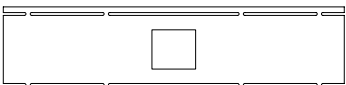
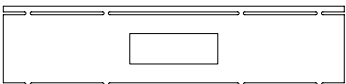
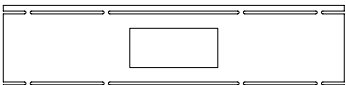
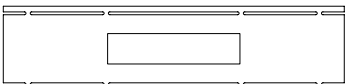
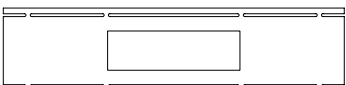
LEDPNLRTF56-CC




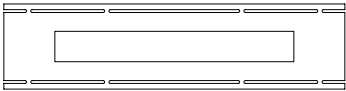
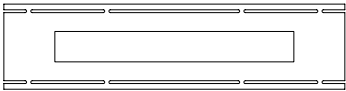
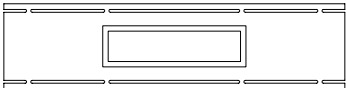
Accessories

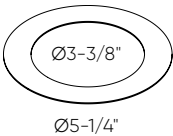
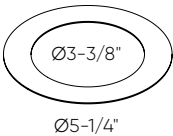
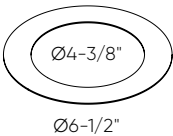
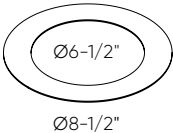
Model	Description		Specifications
RFP-UNI	Universal drilling plate 	$\varnothing 2 \frac{3}{4}$ " $\varnothing 3 \frac{3}{8}$ " $\varnothing 4 \frac{1}{4}$ " $\varnothing 6 \frac{1}{2}$ "	Expandable with on-center spacing up to 24" Plates serve as template for cutting precise product openings (Please refer to product cut size) Adds extra support and allows for easy and quick installation Galvanized steel finish
RFP-GMB2	Drilling plate for GMB2-CC recessed fixture 	$\varnothing 2\text{-}1/4$ "	Plates serve as template for cutting precise product openings (Please refer to product cut size) Adds extra support and allows for easy and quick installation Galvanized steel finish
RFP-23	Drilling plate for 2 and 3" fixtures 	$\varnothing 2\text{-}3/4$ " $\varnothing 3\text{-}3/8$ "	Plates serve as template for cutting precise product openings (Please refer to product cut size) Adds extra support and allows for easy and quick installation Galvanized steel finish
RFP-35	Drilling plate for 3.5 and 4" fixtures 	$\varnothing 3\text{-}1/2$ "	Plates serve as template for cutting precise product openings (Please refer to product cut size) Adds extra support and allows for easy and quick installation Galvanized steel finish
RFP-46	Drilling plate for 4 and 6" fixtures 	$\varnothing 4\text{-}1/4$ " $\varnothing 6\text{-}1/2$ "	Plates serve as template for cutting precise product openings (Please refer to product cut size) Adds extra support and allows for easy and quick installation Galvanized steel finish
RFP-58	Drilling plate for 5 and 8" fixtures 	$\varnothing 5\text{-}3/8$ " $\varnothing 7\text{-}1/2$ "	Plates serve as template for cutting precise product openings (Please refer to product cut size) Adds extra support and allows for easy and quick installation Galvanized steel finish


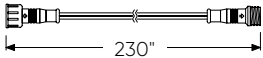






Model	Description		Specifications
RFP-MSL1	Drilling plate for MSL1 recessed fixture 	1-9/16" x 1-9/16"	Plates serve as template for cutting precise product openings (Please refer to product cut size) Adds extra support and allows for easy and quick installation Galvanized steel finish
RFP-MSL2	Drilling plate for MSL2 recessed fixture 	1-9/16" x 2-5/8"	Plates serve as template for cutting precise product openings (Please refer to product cut size) Adds extra support and allows for easy and quick installation Galvanized steel finish
RFP-MSL4	Drilling plate for MSL4 recessed fixture 	2-3/4" x 2-3/4"	Plates serve as template for cutting precise product openings (Please refer to product cut size) Adds extra support and allows for easy and quick installation Galvanized steel finish
RFP-MSL5	Drilling plate for MSL5 recessed fixture 	5-1/2" x 1-5/8"	Plates serve as template for cutting precise product openings (Please refer to product cut size) Adds extra support and allows for easy and quick installation Galvanized steel finish
RFP-MSL5G	Drilling plate for MSL5G recessed fixture 	6-3/8" x 2-3/4"	Plates serve as template for cutting precise product openings (Please refer to product cut size) Adds extra support and allows for easy and quick installation Galvanized steel finish
RFP-MSL10	Drilling plate for MSL10 recessed fixture 	10-3/4" x 1-5/8"	Plates serve as template for cutting precise product openings (Please refer to product cut size) Adds extra support and allows for easy and quick installation Galvanized steel finish
RFP-MSL10G	Drilling plate for MSL10G recessed fixture 	11-1/2" x 2-3/4"	Plates serve as template for cutting precise product openings (Please refer to product cut size) Adds extra support and allows for easy and quick installation Galvanized steel finish

Accessories

Model	Description		Specifications
RFP-LNR24	Drilling plate for LNR24-CC, LNR24-CC-V, DCP-LNR24 recessed linears	2-1/8" x 23-3/8"	Plates serve as template for cutting precise product openings (Please refer to product cut size) Adds extra support and allows for easy and quick installation Galvanized steel finish
			
RFP-LNR48	Drilling plate for LNR48-CC, LNR48-CC-V, DCP-LNR48 recessed linears	2-1/8" x 47-3/8"	Plates serve as template for cutting precise product openings (Please refer to product cut size) Adds extra support and allows for easy and quick installation Galvanized steel finish
			
RFP-DUO	Drilling plate for FGM4-CC-DUO and GBR35-CC-DUO recessed fixtures	7-1/8" x 3-1/2" 8-5/8" x 4-3/4"	Plates serve as template for cutting precise product openings (Please refer to product cut size) Adds extra support and allows for easy and quick installation Galvanized steel finish
			

Model		Finish	Specification
LEDDOWNACC-GOOF3	 Ø3-3/8" Ø5-1/4"	White	Goof ring for 3" recessed lights Allows 3" fixtures to fit in a hole with a maximum diameter of 4-3/4"
LEDDOWNACC-GOOF4	 Ø4-3/8" Ø6-1/2"	White	Goof ring for 4" recessed lights Allows 4" fixtures to fit in a hole with a maximum diameter of 6"
LEDDOWNACC-GOOF6	 Ø6-1/2" Ø8-1/2"	White	Goof ring for 6" recessed lights Allows 6" fixtures to fit in a hole with a maximum diameter of 8"

Model		Finish	Specification
REC-EXT108		White	108" extension cord for recessed lights One end with male connector and one end with female connector Quick-connect installation Can be connected together up to 40 feet (4 extension cords)
REC-EXT230		White	230" extension cord for recessed lights One end with male connector and one end with female connector Quick-connect installation Can be connected together up to 40 feet (2 extension cords)
REC-PT4-BB REC-PT4-BK REC-PT4-SN		Brushed Brass Black Satin Nickel	4" recessed panel trim Compatible products: SPN4, 2004, 5004, SM-PNL4
RTF4-TRIM-BK RTF4-TRIM-SN		Black Satin Nickel	4" recessed panel trim Compatible products: RTF4-3K, RTF4-CC
DDP4-TRIM-BK DDP6-TRIM-BK		Black	4" and 6" recessed panel trims Compatible products: DDP4-CC, DCP-DDP4, DDP6-CC, DCP-DDP6
DRR4-TRIM-BK DRR4-TRIM-SBA DDP6-TRIM-BK DDP6-TRIM-SBA		Black Sandblasted aluminum	4" and 6" recessed panel trims Compatible products: DRR4-CC, DRR6-CC