

SPOT

This durable, fully sealed 12V LED landscape spot is constructed of solid aluminum. It includes an integrated LED module that emits a cool, natural, or warm white light in multiple beam patterns, all selectable with a 5CCT switch. Can be rotated 180° and equipped with a glare shield for pinpoint accuracy. The landscape spotlight is great for gardens, tree uplighting, architectural lighting, and more.



LSPX-CCL



COLOR TEMPERATURE



WET

180°

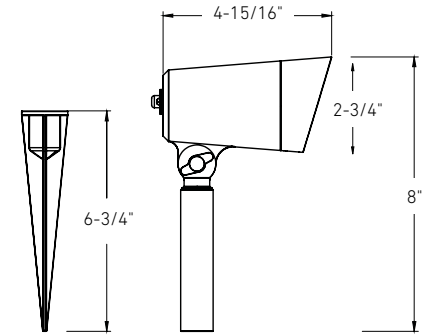
SWIVEL/DIRECTIONAL



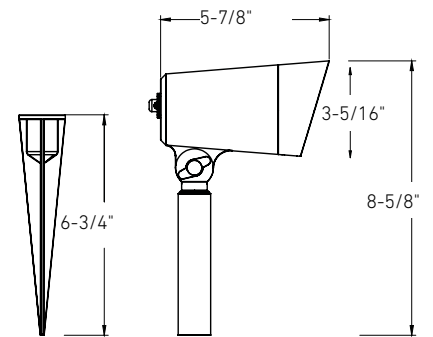
Model	Size	Watts	Delivered lumens	CRI	Color °T	Voltage
LSP3-CCL	3"	10 W	500 lm	80	2200, 2700, 3000,	12 VAC
LSP4-CCL	4"	20 W	1000 lm		3500, 4000 K	



LSP3-CCL



LSP4-CCL



Specifications

- Switch-selectable CCT
- Easy-access CCT switch on back of spot
- Interchangeable 20°, 40°, and 90° beam angle lens
- 180° swiveling head
- Ground stake included
- 5-year warranty

Finish

- **BK** Black

Power supplies

LTRP-60-BK
60W, 120VAC 60Hz input
12VAC output low-voltage transformer

LTR-300-BK
300W, 120VAC 60Hz input
12/13/14/15VAC output low-voltage transformer

Note

Low-voltage transformer required. Sold separately.
Other color temperatures and finish options are available but may require minimum order quantities (MOQs) and longer lead times. Please contact your DALI representative for more information.

Accessories

- LAN-ACC-MS**
6-3/4" metal ground stake
- LSP-EXT04**
4" extension arm
- LSP-WM**
Spotlight wall mount adapters
- LCBL-50-16**
50 feet of 16 gauge low-voltage wiring
- LCBL-100-16**
100 feet of 16 gauge low-voltage wiring
- LCBL-50-14**
50 feet of 14 gauge low-voltage wiring
- LCBL-100-14**
100 feet of 14 gauge low-voltage wiring
- LCBL-100-12**
100 feet of 12 gauge low-voltage wiring
- LCBL-200-12**
200 feet of 12 gauge low-voltage wiring