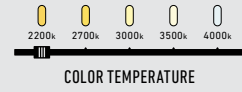


# FLUX

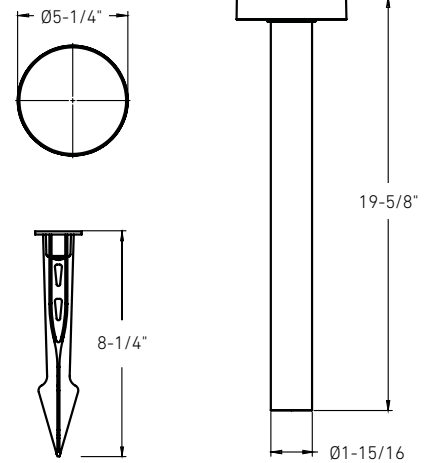
Add visual interest to your garden with the Flux outdoor path light. A 360° light spread and cast aluminum construction with a powder-coated finish fits best along pathways, garden beds, and walkways.



Model	Size	Watts	Delivered lumens	CRI	Color °T	Voltage
LPP20-CC	20"	8 W	360 lm	80	2200, 2700, 3000, 3500, 4000 K	12 VAC



## LPP20-CC



### Specifications

Ground stake included  
 93° beam angle  
 Can be mounted to wood or concrete (screws not included)  
 Switch-selectable CCT  
 5-year warranty

### Note

Low-voltage transformer required.  
 Sold separately.  
 Other color temperatures and finish options are available but may require minimum order quantities (MOQs) and longer lead times. Please contact your DALs representative for more information.

### Finish

● **BK** Black

### Power supplies

**LTRP-60-BK**  
 60W, 120VAC 60Hz input  
 12VAC output low-voltage transformer

**LTR-300-BK**  
 300W, 120VAC 60Hz input  
 12/13/14/15VAC output low-voltage transformer

### Accessories

**LCBL-50-16**  
 50 feet of 16 gauge low-voltage wiring

**LCBL-100-16**  
 100 feet of 16 gauge low-voltage wiring

**LCBL-50-14**  
 50 feet of 14 gauge low-voltage wiring

**LCBL-100-14**  
 100 feet of 14 gauge low-voltage wiring

**LCBL-100-12**  
 100 feet of 12 gauge low-voltage wiring

**LCBL-200-12**  
 200 feet of 12 gauge low-voltage wiring