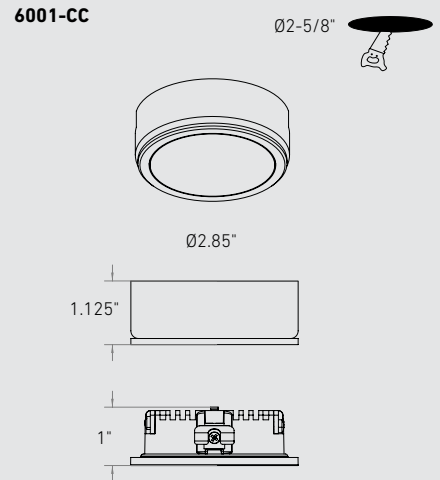


# POWERLED PUCK



Simplifying life for our customers is always a priority for us. With a direct 120V driverless connection, we have achieved our goal with our PowerLED pucks.






Model	Size	Watts	Delivered lumens	CRI	Color °T	Voltage
6001-CC	Ø2.875"	4 W	235 lm	90	2700, 3000, 3500, 4000, 5000 K	120 V

## Specifications

- 12" input and output lead with quick connector
- Can be hardwired to a junction box
- Can be interconnected
- Switch-selectable CCT
- Recessed or surface mounted installation
- Surface adapter included
- Smooth 360° wide spread
- Aluminum construction
- 5-year warranty

## Finish

-  **BK** Black
-  **SN** Satin Nickel
-  **WH** White

## Accessories

- 6000-JB**  
Junction box for 120 V series with one 12" extension cord
- 6001-PC**  
72" power cord
- 6001-E24**  
24" extension cord
- 6001-E60**  
60" extension cord

## Note

Junction box model 6000-JB or power cord model 6001-PC are required for installation. Sold separately.

Other color temperatures, finishes, and voltage options are available but may require minimum order quantities (MOQs) and longer lead times. Please contact your DALs representative for more information.