



# DALS LIGHTING

Canada  
80, de la Seigneurie blvd., E.  
Blainville, Quebec J7C 4N1

U.S.A.  
4383, NW 124th Ave.,  
Coral Springs, Florida 33065

877.430.1818  
info@dals.com  
dals.com

**MODEL** LNR48-CC

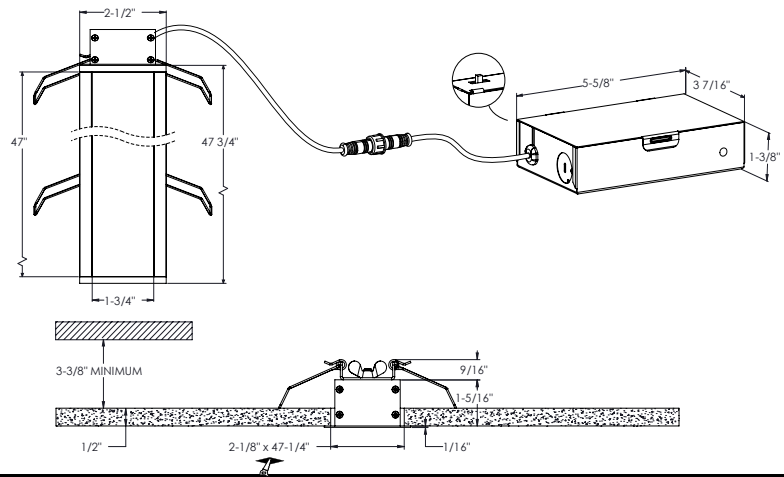
**NAME** Boulevard

Recessed linear 48" - 120, Triac dimming. The Boulevard series, an architectural recessed lighting channel that can be installed in a wide range of commercial and residential environments. Add depth to ceiling planes with a visible separation, or seamlessly daisy-chained to create dramatic effects.

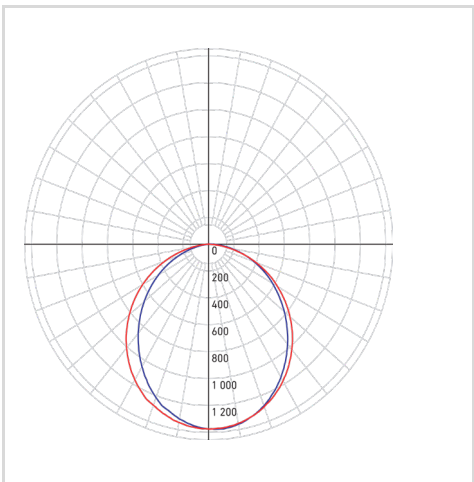
**PROJECT** \_\_\_\_\_ **TYPE** \_\_\_\_\_

**DATE** \_\_\_\_\_ **QTY** \_\_\_\_\_

**NOTES**



## LIGHT DISTRIBUTION



## QUICK SPECS

<b>Size</b>	48"	<b>Environment</b>	Dry
<b>Watts (W)</b>	40W	<b>Location</b>	Indoor
<b>Delivered lumens*</b>	3760	<b>Operating temp. (° C)</b>	-20 to 40
<b>CRI</b>	90	<b>IP rating</b>	IP20
<b>Voltage (v)</b>	120	<b>Input voltage (V)</b>	108-132V
<b>Beam angle (deg)</b>	108	<b>Output voltage (V)</b>	40-44
<b>Cut hole size (in)</b>	2 1/8 x 47 1/4	<b>Output current (mA)</b>	1000
<b>Lifespan (hrs)</b>	50000	<b>Power factor (%)</b>	95
<b>FT rating</b>	FT6	<b>Driver type</b>	Constant current
<b>Binning</b>	3 SDCM	<b>THD</b>	<30%
<b>LED model</b>	SMD 2835	<b>Certifications</b>	ETL, FCC, ICES, ES, T24/JA8
<b>Color temperature</b>	2700K/3000K/3500K/4000K/5000K		IC, ASTM E283-04, T20

\*Lumen output measured at 3000k

## ORDERING GUIDE

LNR48-CC	-	_____	-	_____
		<i>Voltage</i>		<i>Finish</i>
		<b>BLANK</b> - 120v Triac dimming		<b>WH</b> - White
		<b>V</b> - 120-277-347V 0-10v dimming		<b>BK</b> - Black

## CONSTRUCTION

<b>Lens material</b>	Frosted PC
<b>Optic type</b>	Flat lens
<b>Finish type</b>	Matte
<b>Housing material</b>	Aluminum

WHAT'S IN THE BOX	ACCESSORIES	ADAPTORS
<ul style="list-style-type: none"> <li>LED recessed fixture</li> <li>Junction box</li> <li>3x Push-in wire connectors</li> <li>Mounting hardware</li> <li>Instruction sheet</li> </ul>	<ul style="list-style-type: none"> <li><a href="#">RFP-LNR48</a></li> <li>Drilling plate</li> </ul>	<ul style="list-style-type: none"> <li><a href="#">REC-CC-EXT8FT</a></li> <li>96" extension cord for recessed fixtures</li> <li><a href="#">REC-CC-EXT20FT</a></li> <li>240" extension cord for recessed fixtures</li> </ul>

#### RECOMMENDED DIMMER LIST\*

BRAND	MODEL	DIMMER SPECS	GRADE	MIN	MAX	MAX LOAD
Dals	SM-DIMSW Smart Dimmer*	Triac, 250W LED/CFL	Compatible	6	96	6
Lutron	DVCL-153PR-WH-C*	Triac, 150 W Dimmable CFL/LED	Compatible	5	91	4
Lutron	STCL-153PH-WH-C*	Triac, 150 W Dimmable CFL/LED	Compatible	3	88	4
Lutron	Caseta PD-5NE-WH-C*	ELV, LED—up to 250 W	Compatible	4	90	6
Leviton	DSM10-1LZ*	Triac, 450W Dimmable CFL/LED	Compatible	3	93	11
Leviton	6674*	Triac, 150 W Dimmable CFL/LED	Compatible	6	93	4
Leviton	#PL06-10Z*	Triac, 150 W Dimmable CFL/LED	Compatible	5	92	4
Leviton	DSL06-1LZ*	Triac, 150 W Dimmable CFL/LED	Compatible	5	92	4
Leviton	D26HD-742-1RW*	Triac, 300W LED/CFL	Compatible	8	100	8
Legrand	RHCL453PNICCV4*	Triac, 450W Dimmable CFL/LED	Compatible	7	91	11
Control 4	C4-APD120-WH	ELV, 120W LED	Compatible	0	100	3
Control 4	C4-FPD120-WH	Triac, 200W LED	Compatible	0	100	5
TP-Link	HS220*	Triac, 150 W, Dimmable LED (MLV)	Compatible	4	100	4

\*With Low-End Adjustment Feature

Minimal buzzing noise may occur with some dimmers

#### WARRANTY

DALS offers a 5-year warranty from the date of purchase which covers repairs or replacement of defective parts of the housing, optics, and electronics. To contact DALS customer service call 1-877-430-1818 or send an e-mail to [info@dals.com](mailto:info@dals.com).