



**DALS
LIGHTING**

Canada
80, de la Seigneurie blvd., E.
Blainville, Quebec J7C 4N1

U.S.A.
4383, NW 124th Ave.,
Coral Springs, Florida 33065

877.430.1818
info@dals.com
dals.com

MODEL LNR24-CC

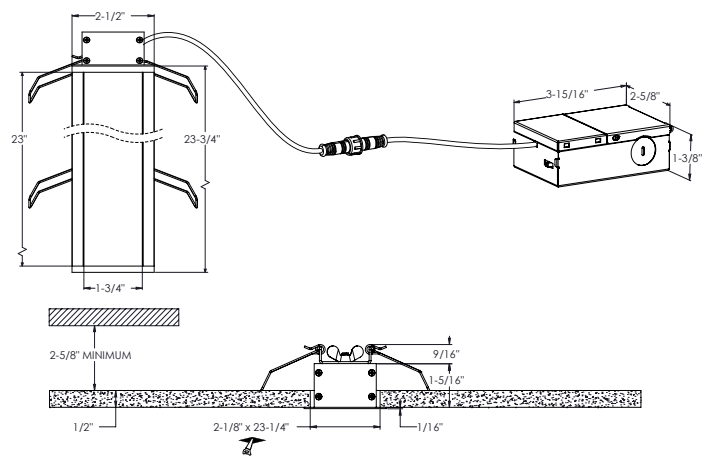
NAME Boulevard

Recessed linear 24" - 120, Triac dimming. The Boulevard series, an architectural recessed lighting channel that can be installed in a wide range of commercial and residential environments. Add depth to ceiling planes with a visible separation, or seamlessly daisy-chained to create dramatic effects.

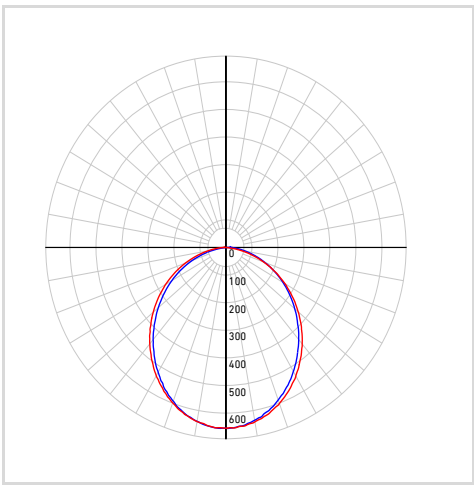
PROJECT [] **TYPE** []

DATE [] **QTY** []

NOTES



LIGHT DISTRIBUTION



*Lumen output measured at 3000k

QUICK SPECS

Size	24"
Watts (W)	20W
Delivered lumens*	1725
CRI	90
Voltage (v)	120
Beam angle (deg)	105
Cut hole size (in)	2 1/8 x 23 1/4
Lifespan (hrs)	50000
FT rating	FT6
Binning	3 SDCM
LED model	SMD 2835
Color temperature	2700K/3000K/3500K/4000K/5000K

ELECTRICAL DETAILS

Environment	Dry
Location	Indoor
Operating temp. (° C)	-20 to 40
IP rating	IP20
Input voltage (V)	108-132V
Output voltage (V)	40-44
Output current (mA)	470
Power factor (%)	98
Driver type	Constant current
THD	<30%
Certifications	ETL, FCC, ICES, ES, IC, ASTM E283-04, T24/JA8

ORDERING GUIDE

LNR24-CC	-	[]	-	[]
		<i>Voltage</i>		<i>Finish</i>
		BLANK - 120v Triac dimming		WH - White
		V - 120-277-347V 0-10v dimming		BK - Black

CONSTRUCTION

Lens material	Frosted PC
Optic type	Flat lens
Finish type	Matte
Housing material	Aluminum

WHAT'S IN THE BOX

LED recessed fixture
 Junction box
 3x Push-in wire connectors
 Mounting hardware
 Instruction sheet

ACCESSORIES

[RFP-LNR24](#)
 Drilling plate

ADAPTORS

[REC-CC-EXT8FT](#)
 96" extension cord for recessed fixtures
[REC-CC-EXT20FT](#)
 240" extension cord for recessed fixtures

RECOMMENDED DIMMER LIST*

BRAND	MODEL	DIMMER SPECS	GRADE	MIN	MAX	MAX LOAD
Lutron	DVELV-300P-WH	300W electronic low voltage dimmer	Compatible	6	100	15
Lutron	MA-PRO-WH*	ELV, 250W LED/CFL	Compatible	0	100	13
Lutron	Caseta PD-5NE-WH-C*	ELV, LED—up to 250 W	Compatible	3	100	13
Control 4	C4-APD120-WH	ELV, 120W LED	Compatible	0	100	6

*With Low-End Adjustment Feature

Minimal buzzing noise may occur with some dimmers

WARRANTY

DALS offers a 5-year warranty from the date of purchase which covers repairs or replacement of defective parts of the housing, optics, and electronics. To contact DAL'S customer service call 1-877-430-1818 or send an e-mail to info@dals.com.