



DALS LIGHTING

Canada
80, de la Seigneurie blvd., E.
Blainville, Quebec j7C 4N1

U.S.A.
4383, NW 124th Ave.,
Coral Springs, Florida 33065

877.430.1818
info@dals.com
dals.com

MODEL FGM4-CC-DUO

NAME Pivot Duo

Double 4" Flat Recessed Gimbal

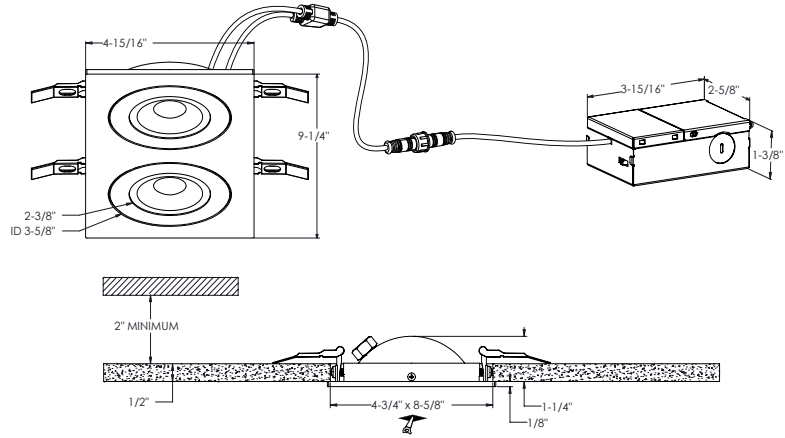
With an infinite choice of beam direction, Pivot Duo provides a discrete yet functional solution to general or accent lighting within your space.



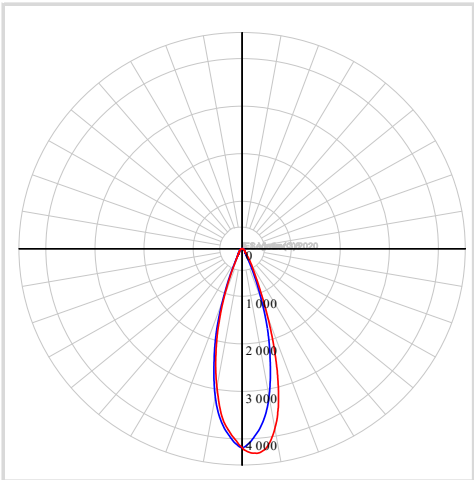
PROJECT _____ **TYPE** _____

DATE _____ **QTY** _____

NOTES



LIGHT DISTRIBUTION



*Lumen output measured at 3000k

QUICK SPECS

Size	4"
Watts (W)	18W
Delivered lumens*	1475
CRI	90
Voltage (v)	120
Beam angle (deg)	38
Cut hole size (in)	8-5/8" x 4-3/4"
Lifespan (hrs)	50000
FT rating	FT6
Binning	3 SDCM
LED model	COB
Color temperature	2700K/3000K/3500K/4000K/5000K

ELECTRICAL DETAILS

Environment	Wet
Location	Indoor/Outdoor
Operating temp. (° C)	-20 to 50
IP rating	IP44
Input voltage (V)	108-135V
Output voltage (V)	34.5
Output current (mA)	409
Power factor (%)	98
Driver type	Constant current
THD	<30%
Certifications	ETL, FCC, ICES, ES, IC, ASTM E283-04, T24

ORDERING GUIDE

FGM4-CC-DUO	-	_____	-	_____
		<i>Voltage</i>		<i>Finish</i>
		BLANK - 120v Triac dimming		WH - White ○
		V - 120-277-347V 0-10v dimming		BK - Black ●

CONSTRUCTION

Lens material	Plastic
Optic type	Optical lens
Finish type	Matte
Housing material	Aluminum

WHAT'S IN THE BOX	ACCESSORIES	ADAPTORS
<ul style="list-style-type: none"> LED recessed fixture Junction box 3x Push-in wire connectors Mounting hardware Instruction sheet 	<ul style="list-style-type: none"> RFP-DUO Drilling plate 	<ul style="list-style-type: none"> REC-CC-EXT8FT 96" extension cord for recessed fixtures REC-CC-EXT20FT 240" extension cord for recessed fixtures

RECOMMENDED DIMMER LIST*

BRAND	MODEL	DIMMER SPECS	GRADE	MIN	MAX	MAX LOAD
Dals	SM-DIMSW Smart Dimmer	Triac, 250W LED/CFL	Compatible	5	100	14
Lutron	DVCL-153PR-WH-C	Triac, 150 W Dimmable CFL/LED	Compatible	18	100	8
Lutron	CTCL-153PDH-WH-C	Triac, 150 W Dimmable CFL/LED	Compatible	5	100	8
Lutron	STCL-153PH-WH-C	Triac, 150 W Dimmable CFL/LED	Compatible	0	99	8
Lutron	DVWCL-153PH-WHC	Triac, 150 W Dimmable CFL/LED	Compatible	5	99	8
Lutron	MACL-153MRHW-WHC	Triac, 150 W Dimmable CFL/LED	Compatible	0	99	8
Lutron	DVELV-300P-WH	300W electronic low voltage dimmer	Compatible	6	99	17
Lutron	MA-PRO-WH	ELV, 250W LED/CFL	Compatible	1	99	14
Lutron	Caseta PD-5NE-WH-C	ELV, LED—up to 250 W	Compatible	1	100	14
Lutron	Caseta PD-10NXD-WH	Triac, LED—up to 250 W	Compatible	0	99	14
Leviton †	6672-1LW	Triac, 150W Dimmable CFL/LED	Compatible	27	99	8
Leviton	DSM10	Triac, 450W Dimmable CFL/LED	Compatible	21	99	25
Leviton	6674	Triac, 150 W Dimmable CFL/LED	Compatible	9	100	8
Leviton	PL06-10Z	Triac, 150 W Dimmable CFL/LED	Compatible	17	100	8
Leviton	DSL06-752	Triac, 150 W Dimmable CFL/LED	Compatible	16	100	8
Leviton	D26HD-742-1RW	Triac, 300W LED/CFL	Compatible	9	100	17
Legrand	RHCL453PNICCV4	Triac, 450W Dimmable CFL/LED	Compatible	13	99	25
Legrand	ADTP703TUM4	Triac, 450W Dimmable CFL/LED	Compatible	10	98	25
Legrand	ADPD453LM2	Triac, 450W Dimmable CFL/LED	Compatible	9	100	25
Legrand	RHL373PW	Triac, 250W LED	Compatible	9	99	14
Control 4	C4-APD120-WH	ELV, 120W LED	Compatible	0	100	7

*With Low-End Adjustment Feature

Minimal buzzing noise may occur with some dimmers

WARRANTY

DALS offers a 5-year warranty from the date of purchase which covers repairs or replacement of defective parts of the housing, optics, and electronics. To contact DALS customer service call 1-877-430-1818 or send an e-mail to info@dals.com.