



DALS LIGHTING

Canada
80, de la Seigneurie Blvd., E.
Blainville, Quebec J7C 4N1

U.S.A.
4383, NW 124th Ave.,
Coral Springs, Florida 33065

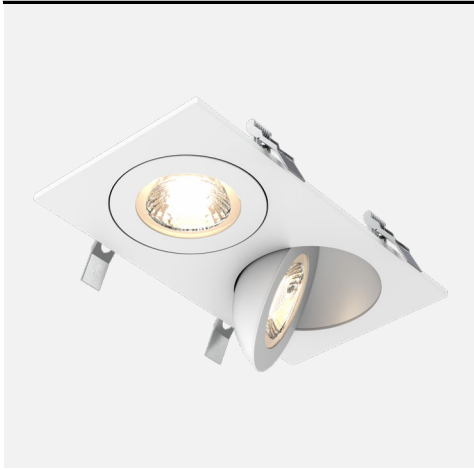
877.430.1818
info@dals.com
dals.com

MODEL FGM4-CC-DUO

NAME Pivot Duo

Double 4" Flat Recessed Gimbal

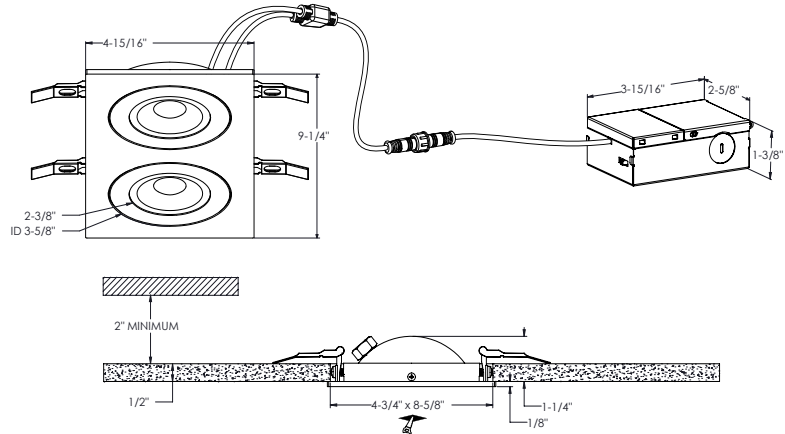
With an infinite choice of beam direction, Pivot Duo provides a discrete yet functional solution to general or accent lighting within your space.



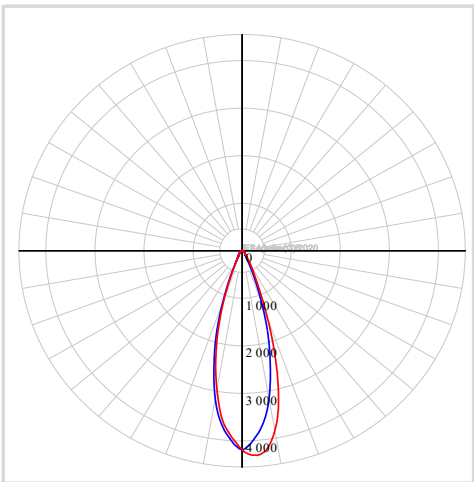
PROJECT [] **TYPE** []

DATE [] **QTY** []

NOTES



LIGHT DISTRIBUTION



*Lumen output measured at 3000k

QUICK SPECS

| | | | |
|---------------------------|-------------------------------|------------------------------|---------------------------|
| Size | 4" | Environment | Wet |
| Watts (W) | 18W | Location | Indoor/Outdoor |
| Delivered lumens* | 1475 | Operating temp. (° C) | -20 to 50 |
| CRI | 90 | IP rating | IP44 |
| Voltage (v) | 120 | Input voltage (V) | 108-135V |
| Beam angle (deg) | 38 | Output voltage (V) | 34.5 |
| Cut hole size (in) | 8-5/8" x 4-3/4" | Output current (mA) | 409 |
| Lifespan (hrs) | 50000 | Power factor (%) | 98 |
| FT rating | FT6 | Driver type | Constant current |
| Binning | 3 SDCM | THD | <30% |
| LED model | COB | Certifications | ETL, FCC, ICES, ES, |
| Color temperature | 2700K/3000K/3500K/4000K/5000K | | IC, ASTM E283-04, T24/JA8 |

ELECTRICAL DETAILS

ORDERING GUIDE

| | | | | |
|-------------|---|--|---|---------------------|
| FGM4-CC-DUO | - | [] | - | [] |
| | | <i>Voltage</i> | | <i>Finish</i> |
| | | BLANK - 120v Triac dimming | | WH - White ○ |
| | | V - 120-277-347V 0-10v dimming | | BK - Black ● |

CONSTRUCTION

| | |
|-------------------------|--------------|
| Lens material | Plastic |
| Optic type | Optical lens |
| Finish type | Matte |
| Housing material | Aluminum |

| WHAT'S IN THE BOX | ACCESSORIES | ADAPTORS |
|--|---|--|
| <ul style="list-style-type: none"> LED recessed fixture Junction box 3x Push-in wire connectors Mounting hardware Instruction sheet | <ul style="list-style-type: none"> RFP-DUO Drilling plate | <ul style="list-style-type: none"> REC-CC-EXT8FT 96" extension cord for recessed fixtures REC-CC-EXT20FT 240" extension cord for recessed fixtures |

RECOMMENDED DIMMER LIST*

| BRAND | MODEL | DIMMER SPECS | GRADE | MIN | MAX | MAX LOAD |
|-----------|-----------------------|------------------------------------|------------|-----|-----|----------|
| Dals | SM-DIMSW Smart Dimmer | Triac, 250W LED/CFL | Compatible | 5 | 100 | 14 |
| Lutron | DVCL-153PR-WH-C | Triac, 150 W Dimmable CFL/LED | Compatible | 18 | 100 | 8 |
| Lutron | CTCL-153PDH-WH-C | Triac, 150 W Dimmable CFL/LED | Compatible | 5 | 100 | 8 |
| Lutron | STCL-153PH-WH-C | Triac, 150 W Dimmable CFL/LED | Compatible | 0 | 99 | 8 |
| Lutron | DVWCL-153PH-WHC | Triac, 150 W Dimmable CFL/LED | Compatible | 5 | 99 | 8 |
| Lutron | MACL-153MRHW-WHC | Triac, 150 W Dimmable CFL/LED | Compatible | 0 | 99 | 8 |
| Lutron | DVELV-300P-WH | 300W electronic low voltage dimmer | Compatible | 6 | 99 | 17 |
| Lutron | MA-PRO-WH | ELV, 250W LED/CFL | Compatible | 1 | 99 | 14 |
| Lutron | Caseta PD-5NE-WH-C | ELV, LED—up to 250 W | Compatible | 1 | 100 | 14 |
| Lutron | Caseta PD-10NXD-WH | Triac, LED—up to 250 W | Compatible | 0 | 99 | 14 |
| Leviton † | 6672-1LW | Triac, 150W Dimmable CFL/LED | Compatible | 27 | 99 | 8 |
| Leviton | DSM10 | Triac, 450W Dimmable CFL/LED | Compatible | 21 | 99 | 25 |
| Leviton | 6674 | Triac, 150 W Dimmable CFL/LED | Compatible | 9 | 100 | 8 |
| Leviton | PL06-10Z | Triac, 150 W Dimmable CFL/LED | Compatible | 17 | 100 | 8 |
| Leviton | DSL06-752 | Triac, 150 W Dimmable CFL/LED | Compatible | 16 | 100 | 8 |
| Leviton | D26HD-742-1RW | Triac, 300W LED/CFL | Compatible | 9 | 100 | 17 |
| Legrand | RHCL453PNICCV4 | Triac, 450W Dimmable CFL/LED | Compatible | 13 | 99 | 25 |
| Legrand | ADTP703TUM4 | Triac, 450W Dimmable CFL/LED | Compatible | 10 | 98 | 25 |
| Legrand | ADPD453LM2 | Triac, 450W Dimmable CFL/LED | Compatible | 9 | 100 | 25 |
| Legrand | RHL373PW | Triac, 250W LED | Compatible | 9 | 99 | 14 |
| Control 4 | C4-APD120-WH | ELV, 120W LED | Compatible | 0 | 100 | 7 |

*With Low-End Adjustment Feature

Minimal buzzing noise may occur with some dimmers

WARRANTY

DALS offers a 5-year warranty from the date of purchase which covers repairs or replacement of defective parts of the housing, optics, and electronics. To contact DALS customer service call 1-877-430-1818 or send an e-mail to info@dals.com.