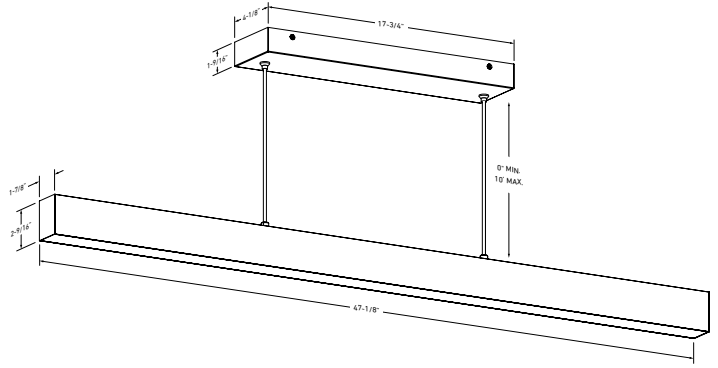


MODEL NAME **LNPD48-CC-V**
BOULEVARD PENDANT
48" linear pendant

The Boulevard series, a linear light fixture perfect for general office, home, and shop illumination. Can be interconnected to produce striking visual effects.



PROJECT: _____ **TYPE:** _____

DATE: _____ **QTY:** _____

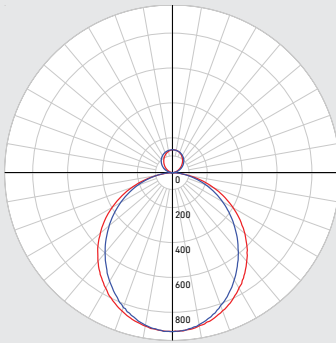
NOTES:

QUICK SPECS

SIZE	WATTS	DELIVERED LUMENS*	COLOR °T 5CCT	CRI	VOLTAGE	BEAM ANGLE	LIGHT DIRECTION	FINISH
48"	40W	Total: 2805lm Up: 337lm Down: 2468lm	2700K 3000K 3500K 4000K 5000K	93.9	120V 277V 347V	105°	Up/down: 12% Up 88% Down	● Black

*Lumen output measured at 3000K

LIGHT DISTRIBUTION



CONSTRUCTION

Lens Frosted	Finish type Powder coated	Type of LED SMD
Lens material PC	Housing material Aluminium extrusion	Mounting Octo Jbox

RATINGS

Placement Indoor	Lifespan 50,000 hrs.	IP rating IP20
Location Dry	Certifications ES, ETL, FCC, ICES, T20, T24	Operating temperature -20° to 40° C

WHAT'S IN THE BOX

- LED linear pendant
- Mounting bracket
- Mounting hardware
- Wire nuts
- Instruction sheet

ACCESSORIES

LNACC-L16FT
16-foot lens for Boulevard series pendants and recessed linears

ADAPTERS

-



**ELECTRICAL
DETAILS**

Input voltage
120V / 277V / 347V

Output current
1000mA

Power factor
99% / 97% / 96%

Driver type
Constant current

Output voltage
31-50V

LED model #
2835

**THD harmonic
distortion**
<30%

Binning type
3 SDCM

FEATURES

Integrated
dimmable driver

0-10V dimming

Superior LED
performance and
lifespan

Minimal heat emission

Back-lit technology

Unique up/down
light output

Adjustable height
up to 10 feet

Switch-selectable CCT:
2700K/ 3000K/ 3500K/
4000K/ 5000K

Multiple fixtures can be
connected together

WARRANTY

DALS offers a 5-year warranty from the date of purchase which covers repairs or replacement of defective parts of the housing, optics, and electronics. To contact DALS customer service call 1-877-430-1818 or send an e-mail to info@dals.com.

RECOMMENDED DIMMER LIST*

BRAND	MODEL #	DIMMER SPECS	GRADE	DIMMING RANGE (%)		MAX LOAD
				MIN	MAX	
Lutron	DVSTV (0-10 V Controls)	960W, Operating Voltage:120-277 V~, Load Switching Capacity: 8 A	Compatible	6	88	24

* Minimal buzzing noise may occur with some dimmers