

Boulevard

The Boulevard series, an architectural recessed lighting channel that can be installed in a wide range of commercial and residential environments. Add depth to ceiling planes with a visible separation, or seamlessly daisy-chained to create dramatic effects.

UPGRADE



DRY



AIR TIGHT



ENERGY STAR



ETL Intertek



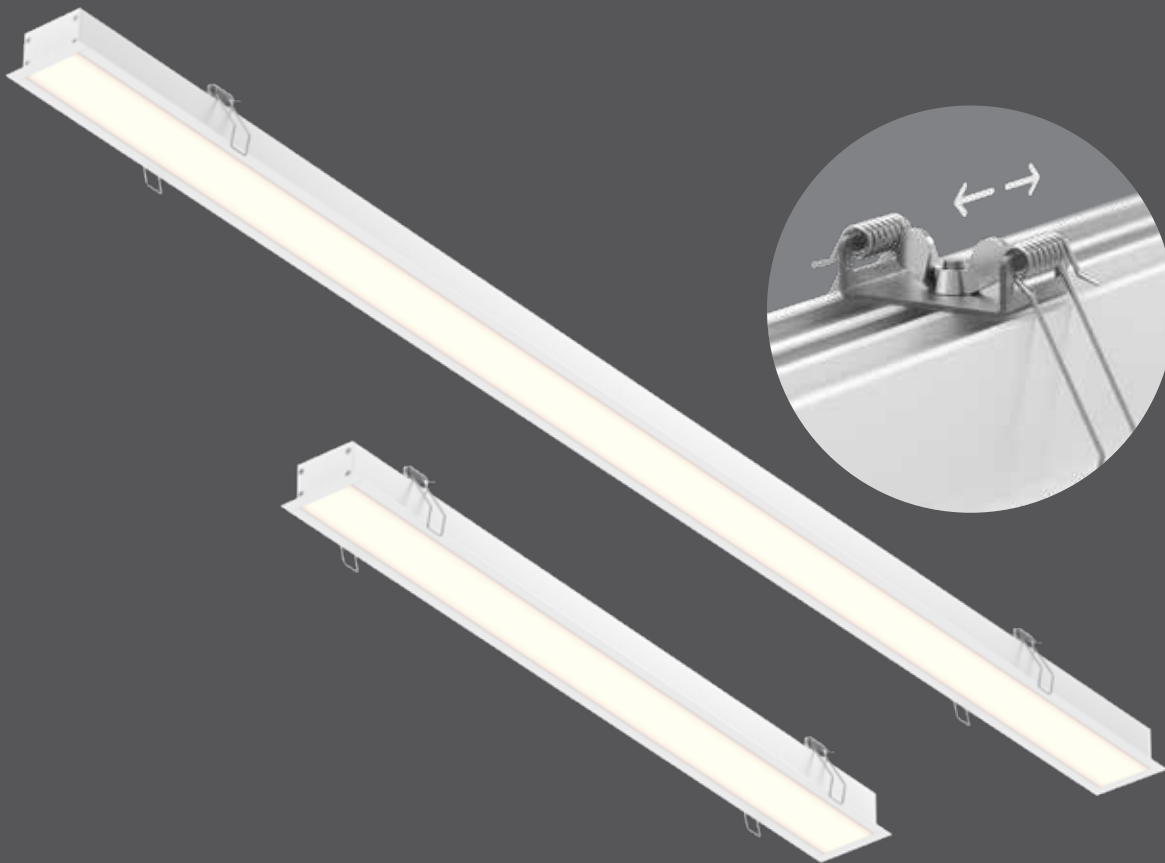
IC RATED



T24 JA8 CERTIFIED



COLOR TEMPERATURE



Model	Size	Watts	Delivered lumens	CRI	Color °T	Standard voltage	Multi-voltage ⚡
LNR24-CC	24"	20 W	1725 lm	90	2700, 3000, 3500, 4000, 5000 K	120V, Triac dimming	MV: 120 / 277 / 347V, 0-10V dimming
LNR48-CC	48"	40 W	3760 lm				

Specifications

Every fixture includes a junction box with integrated dimmable driver
 Can be daisy chained
 Superior LED performance and lifespan
 Minimal heat emission
 Aluminum construction
 Switch-selectable CCT: 2700K/3000 K/3500 K/4000 K/5000 K
 108° beam spread
 IC certification (suitable for direct contact with insulation)
 Air-tight certified as per ASTM E283-04
 Suitable for dry locations
 Refer to website for dimmer compatibility
 Ideal operating temperature: -20° to 40° C
 5-year warranty

Finish

- **BK** Black
- **WH** White

Accessories

- LNACC-L16FT**
16-foot lens for Boulevard series pendants and recessed linears
- RFP-LNR24**
Rough-in plate
- RFP-LNR48**
Rough-in plate
- REC-CC-EXT8FT**
8-foot extension cable
- REC-CC-EXT20FT**
20-foot extension cable

Multi-voltage ⚡

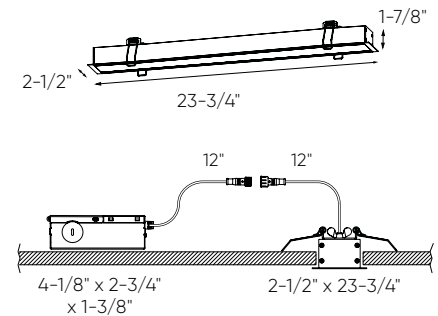
This product family offers multi-voltage drivers (120/277/347) that are dimmable using 0-10V dimming systems. Please note that longer lead times may apply for this option. Kindly reach out to your DALI representative for additional information and to confirm availability.

Note

Other color temperatures, finishes, and voltage options are available but may require minimum order quantities (MOQs) and longer lead times. Please contact your DALI representative for more information.



LNR24-CC 23-3/8" x 2-1/8" 



LNR48-CC 47-7/16" x 2-1/8" 