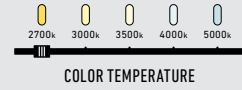
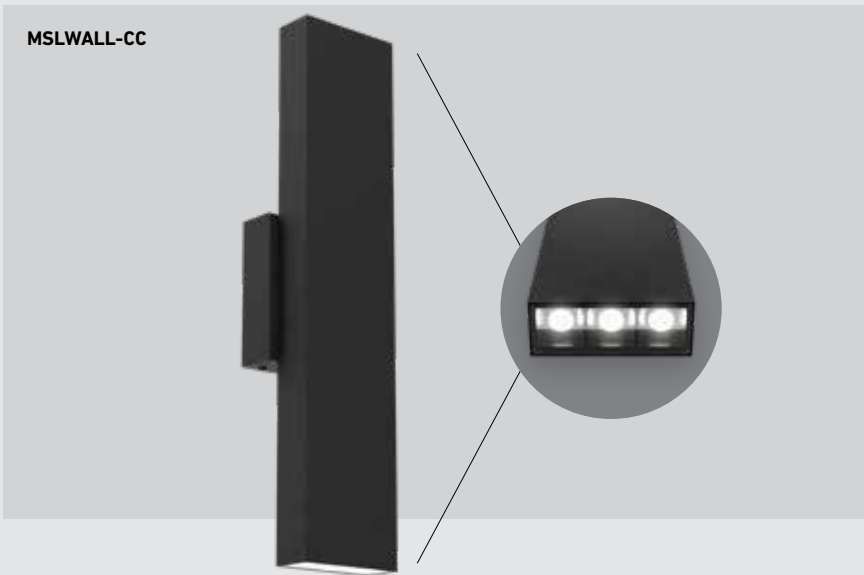
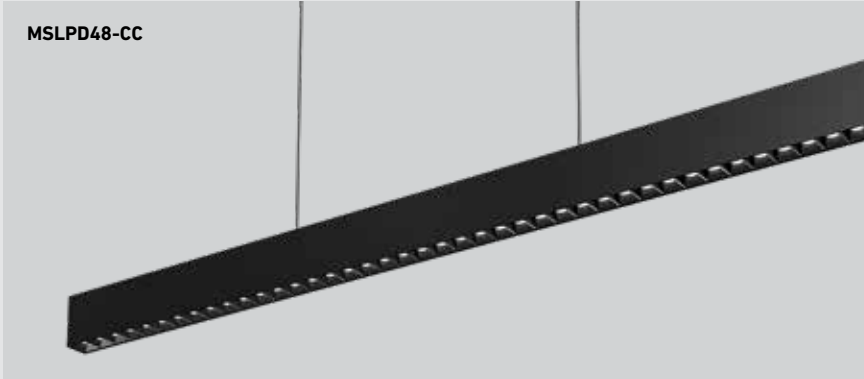


PINPOINT

The MSL series, with its sleek glossy piano-black reflector, combines contemporary design with functionality, making it the ideal choice for any space

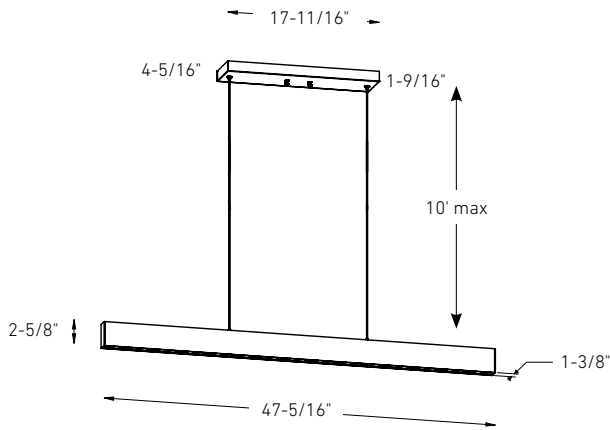


ADA
COMPLIANT**

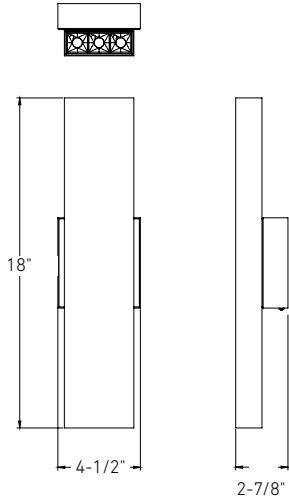


Model	Size	Watts	Delivered lumens	CRI	Color °T	Voltage
MSLPD48-CC*	48"	40 W	2710 lm	90	2700, 3000, 3500,	120 V
MSLWALL-CC**	18"	15 W	760 lm		4000, 5000 K	

MSLPD48-CC



MSLWALL-CC



Specifications

- Adjustable height up to 10 feet (MSLPD48-CC only)
- Aluminum housing
- Switch-selectable CCT
- 30° beam angle
- Integrated dimmable driver
- Canopy mount on 4" octagon junction box
- 5-year warranty

Note

Other color temperatures, finishes, and voltage options are available but may require minimum order quantities (MOQs) and longer lead times. Please contact your DALI representative for more information.

More from this family



MSL1
pg. 44



MSL2
pg. 44



MSL4
pg. 44



MSL5
pg. 44



MSL5G
pg. 44



MSL10
pg. 44



MSL10G
pg. 44

Finish

- **BK** Black