

LOW-VOLTAGE TRANSFORMERS



Outdoor low-voltage transformers with timer and photocell sensor, 120V AC to 12V/13V/14V/15V AC, weatherproof.

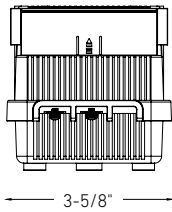
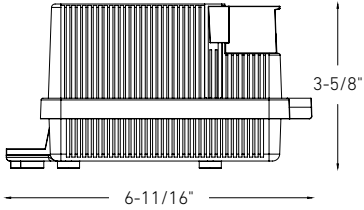


LTR-300

LTRP-60

Model

LTRP-60-BK
60W low-voltage transformer



Specifications

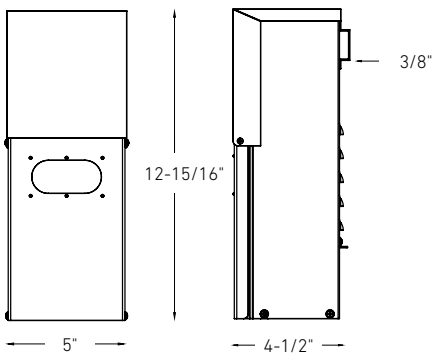
Constant voltage mode power supply
Protection: short circuit / Over voltage
Input voltage: 120VAC 60Hz
Output voltage: 12VAC
Output Power: 60W
Maximum recommended load: 80%
Operating temperature: -30°C to 45°C
UL certification
5 year warranty

Finish

● **BK** Black

Model

LTR-300-BK
300W low-voltage transformer



Specifications

Constant voltage mode power supply
Protection: short circuit / Over voltage
Fully isolated metal case -
Cooling by air convection
Input voltage: 120VAC 60Hz
Output Power: 300W
Output voltage: 12, 13, 14, 15VAC
Photocell sensor
Maximum recommended load: 80%
Operating temperature: -30°C to 45°C
UL certification
5 year warranty

Finish

● **BK** Black